



US00D890387S

(12) **United States Design Patent** (10) **Patent No.:** **US D890,387 S**  
**Kim et al.** (45) **Date of Patent:** **\*\* Jul. 14, 2020**

(54) **TAIL LIGHTS**

(56) **References Cited**

(71) Applicant: **GUANGZHOU AUTOMOBILE GROUP CO., LTD.**, Guangzhou, Guangdong (CN)  
(72) Inventors: **Hyunsoo Kim**, Guangdong (CN); **Eric Kim**, Guangdong (CN); **Martin Amazarian**, Guangdong (CN); **Iliya Bridan**, Guangdong (CN); **Haitao Qi**, Guangdong (CN); **Joan Pontus Anthony Fontaeus**, Guangdong (CN)  
(73) Assignee: **GUANGZHOU AUTOMOBILE GROUP CO., LTD.**, Guangzhou (CN)

U.S. PATENT DOCUMENTS

D304,819 S *	11/1989	Chapman	.....	D12/181
D711,562 S *	8/2014	Dickman	.....	D26/28
D743,588 S *	11/2015	Wolff	.....	D26/28
D747,016 S *	1/2016	George	.....	D26/28
D780,961 S *	3/2017	Curic	.....	D26/28
D791,375 S *	7/2017	Lichte	.....	D26/28
D801,558 S *	10/2017	Segui	.....	D26/28
D815,765 S *	4/2018	Jacobsthal	.....	D26/28
D855,843 S *	8/2019	Von Holzhausen	.....	D26/28
D861,201 S *	9/2019	Fisker	.....	D26/28
D870,931 S *	12/2019	Woodhouse	.....	D26/28
D872,325 S *	1/2020	Bauer	.....	D26/28
D882,132 S *	4/2020	Hoste	.....	D26/28

\* cited by examiner

*Primary Examiner* — Angela J Lee

(\*\*) Term: **15 Years**

(21) Appl. No.: **29/695,744**

(22) Filed: **Jun. 21, 2019**

(30) **Foreign Application Priority Data**

Dec. 29, 2018 (CN) ..... 2018 3 0774100

(51) **LOC (12) Cl.** ..... **26-06**

(52) **U.S. Cl.**  
USPC ..... **D26/28**

(58) **Field of Classification Search**  
USPC ..... D26/28, 29, 30, 31, 32, 33, 34, 35, 36  
CPC ..... F21S 48/00; F21S 48/10; F21S 48/115;  
F21S 48/225; F21S 48/1233; F21S 48/1266; F21S 48/1388; F21S 48/2268;  
F21V 21/04; F21W 2103/35; F21W 3/40;  
F21W 2102/17; F21W 2102/30; F21W 2103/00; F21W 2103/55; F21W 2104/00;  
F21W 2107/17; F21W 2107/13

See application file for complete search history.

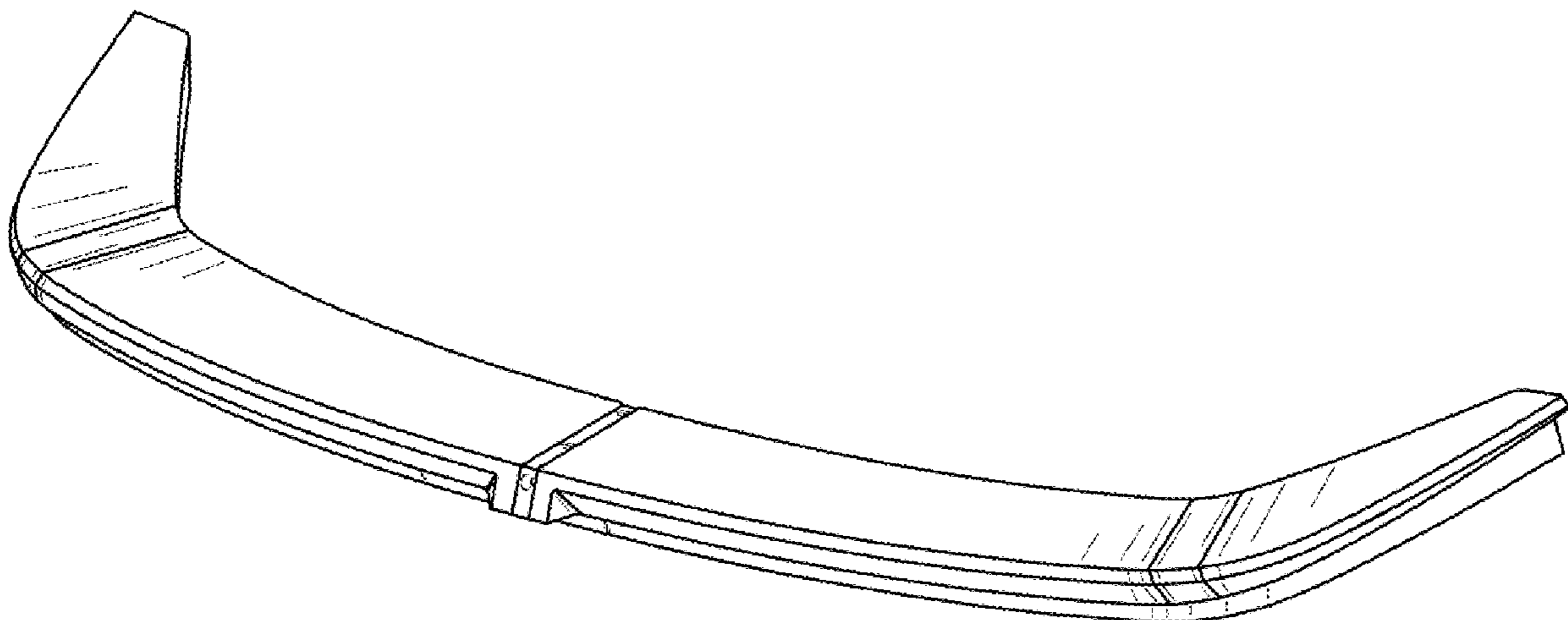
(57) **CLAIM**

The ornamental design for tail lights, as shown and described.

**DESCRIPTION**

FIG. 1 is a front elevational view of tail lights showing our new design;  
FIG. 2 is a rear elevational view thereof;  
FIG. 3 is a left side view thereof;  
FIG. 4 is a right side view thereof;  
FIG. 5 is a top plan view thereof;  
FIG. 6 is a bottom plan view thereof;  
FIG. 7 is a top, front and right side perspective view thereof;  
and,  
FIG. 8 is a bottom, front and right side perspective view thereof.  
The broken lines in the drawings illustrate portions of the tail lights which form no part of the claimed design.

**1 Claim, 2 Drawing Sheets**



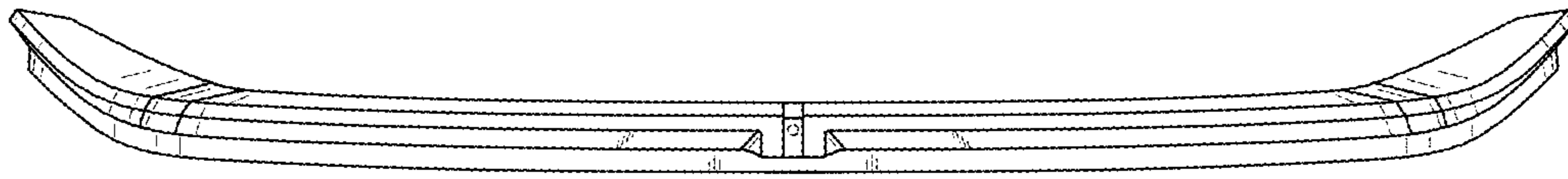


FIG. 1

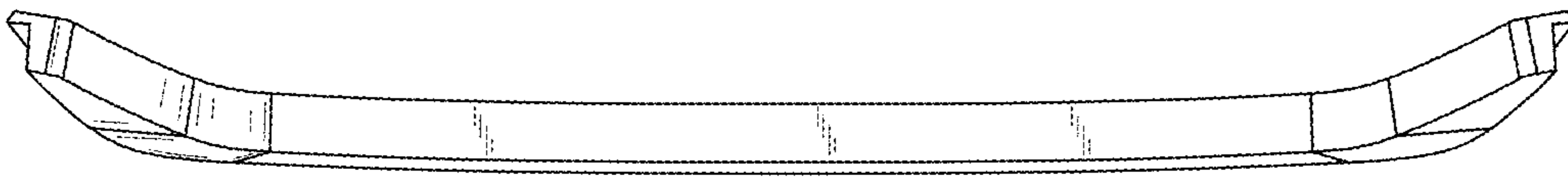


FIG. 2

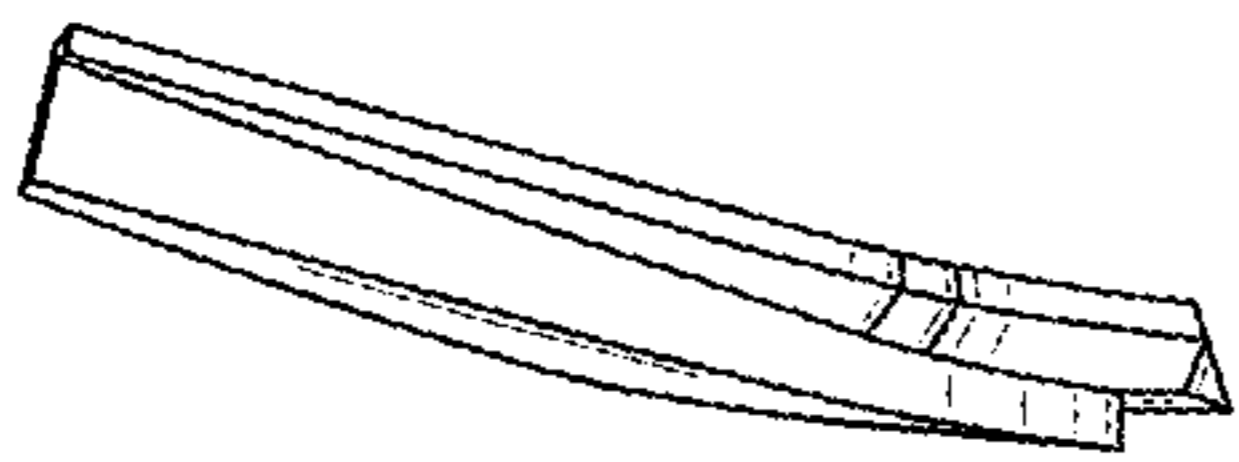


FIG. 3

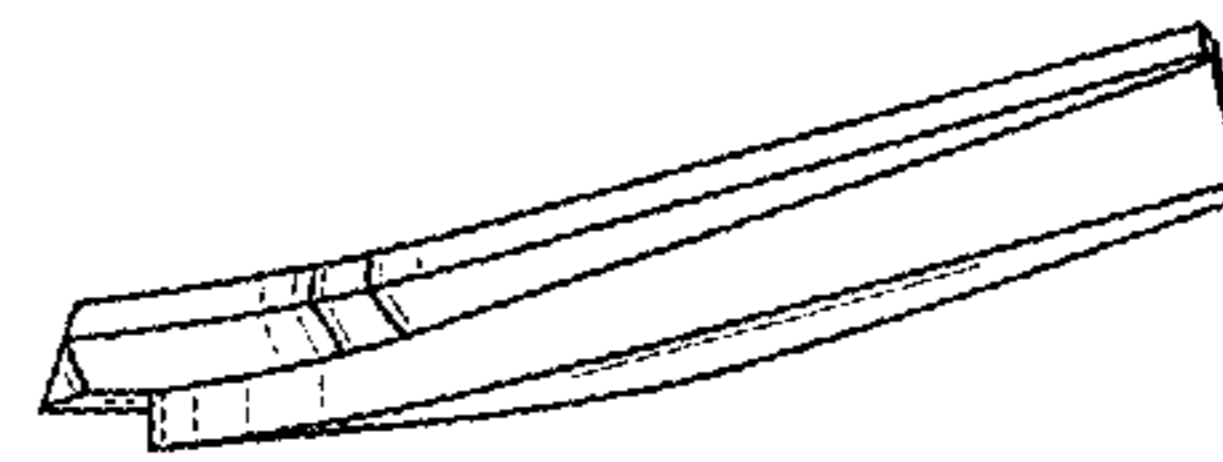


FIG. 4

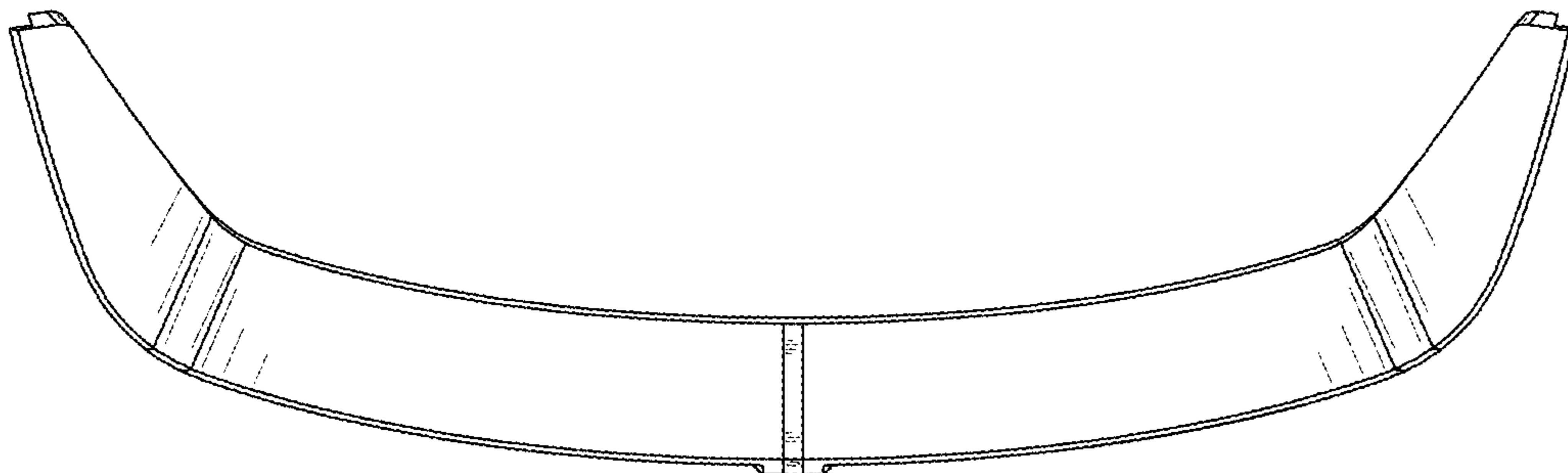


FIG. 5

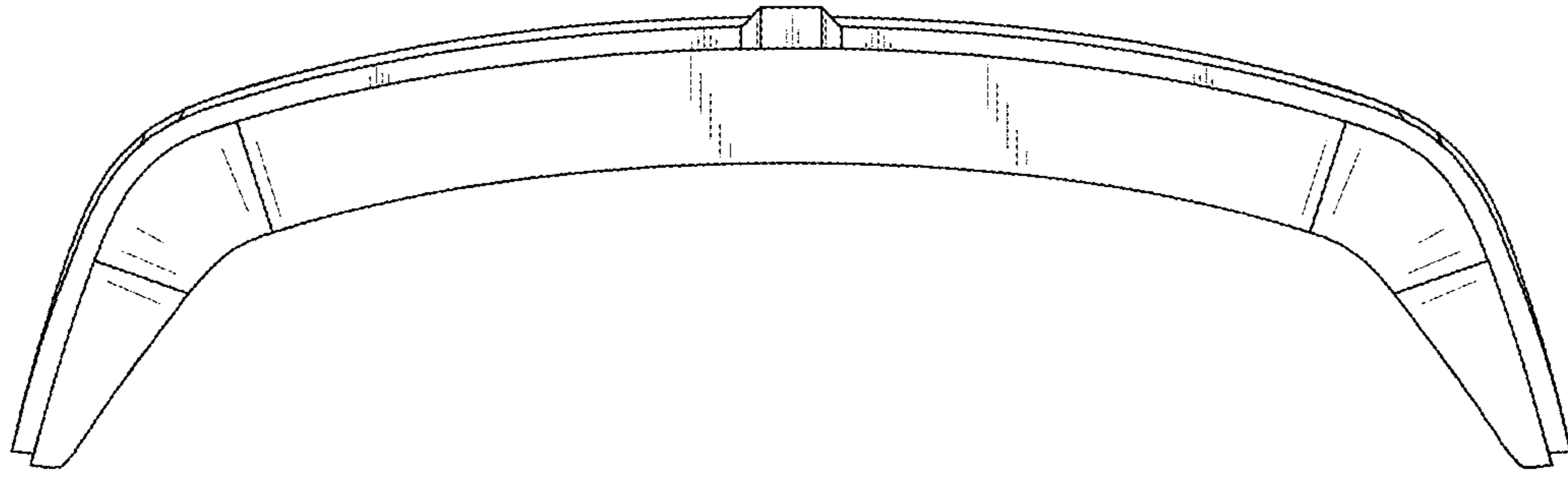


FIG. 6

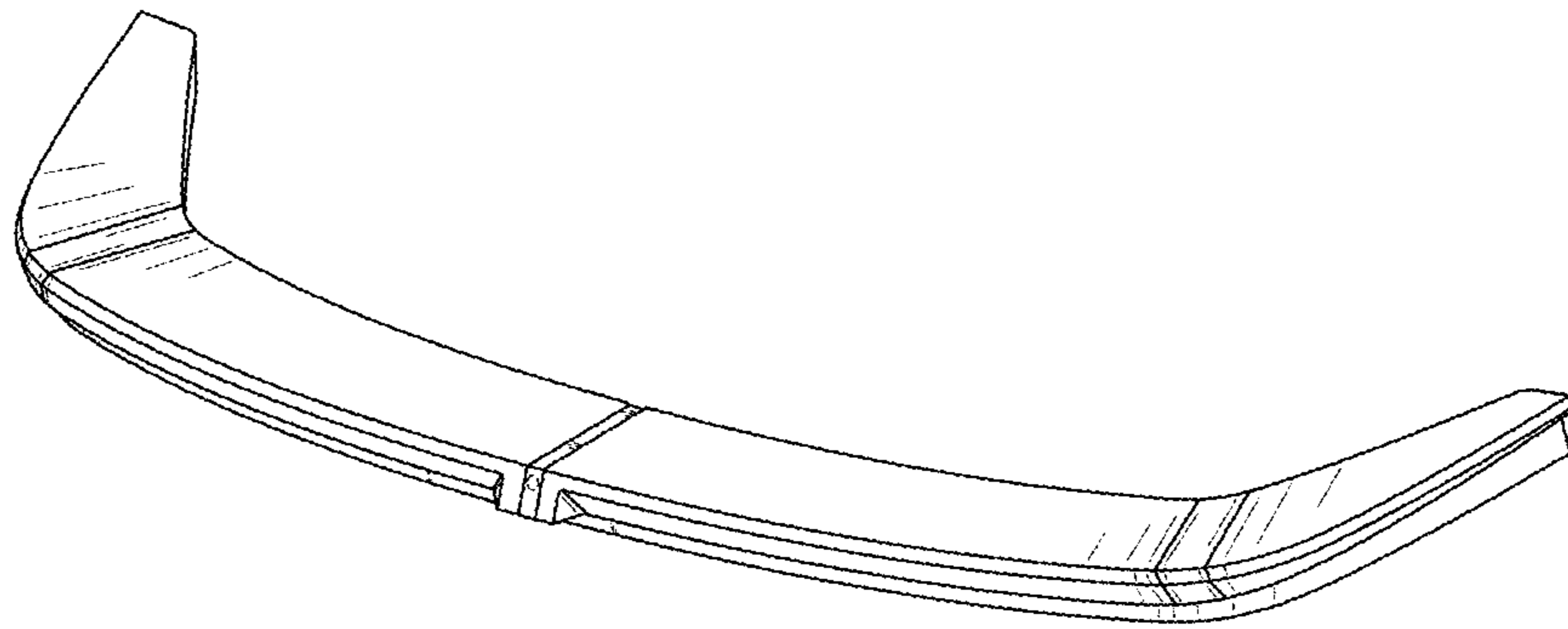


FIG. 7

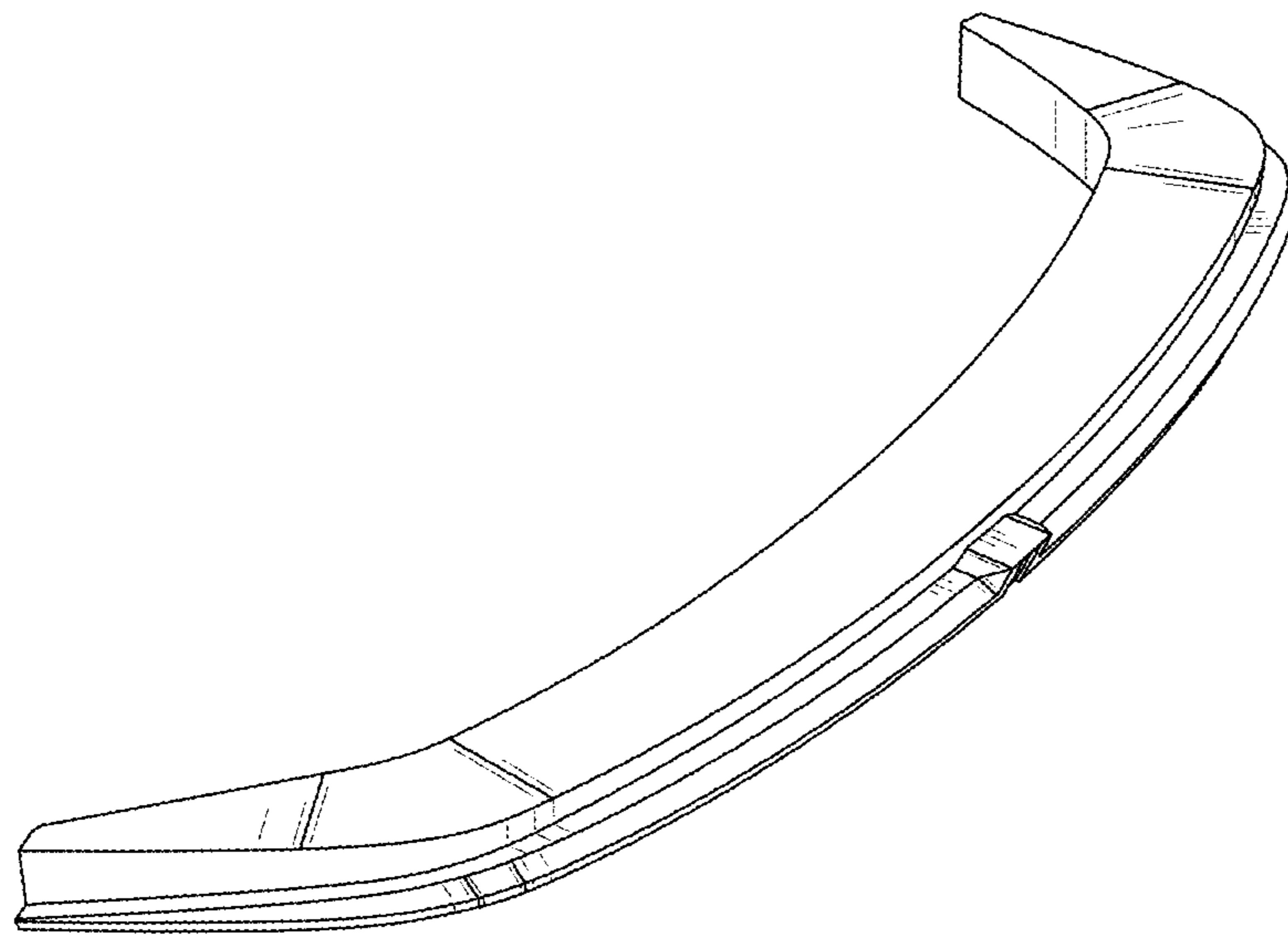


FIG. 8