



US00D890385S

(12) **United States Design Patent**
Yang

(10) **Patent No.:** **US D890,385 S**

(45) **Date of Patent:** **** Jul. 14, 2020**

(54) **VEHICLE HEADLIGHT**

(71) Applicant: **SONAR AUTO PARTS CO., LTD.**,
New Taipei (TW)

(72) Inventor: **Hsiu-Pen Yang**, New Taipei (TW)

(73) Assignee: **SONAR AUTO PARTS CO., LTD.**,
New Taipei (TW)

(**) Term: **15 Years**

(21) Appl. No.: **29/687,307**

(22) Filed: **Apr. 12, 2019**

(51) **LOC (12) Cl.** **26-06**

(52) **U.S. Cl.**
USPC **D26/28**

(58) **Field of Classification Search**

USPC D26/28-36, 139
CPC F21S 48/00; F21S 48/10; F21S 48/115;
F21S 48/225; F21S 48/1233; F21S
48/1266; F21S 48/1388; F21S 48/2268;
F21V 21/04; F21V 29/004; B60Q 9/13;
B60Q 9/135; B60Q 9/1375

See application file for complete search history.

(56) **References Cited**

U.S. PATENT DOCUMENTS

D560,292 S * 1/2008 Sato D26/28
D574,524 S * 8/2008 Tomatsu D26/28

D703,847 S * 4/2014 MacKay D26/28
D769,478 S * 10/2016 Gorsten Schuenemann .. D26/28
D822,235 S * 7/2018 Lin D26/28
D831,247 S * 10/2018 Lin D26/28
D832,476 S * 10/2018 Yang D26/28

* cited by examiner

Primary Examiner — Marcus A Jackson

(74) *Attorney, Agent, or Firm* — Li & Cai Intellectual
Property Office

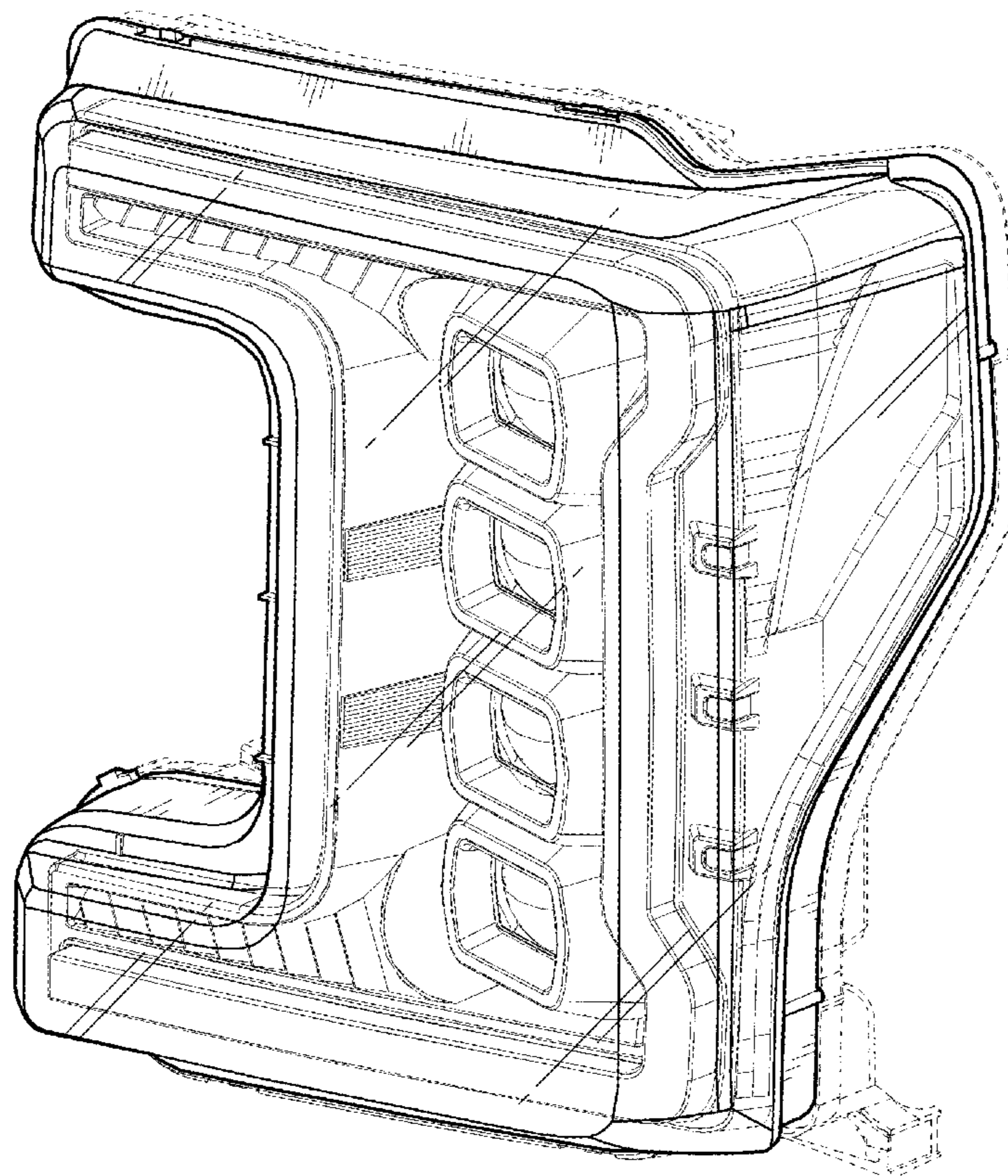
(57) **CLAIM**

The ornamental design for a “vehicle headlight”, as shown
and described.

DESCRIPTION

FIG. 1 is a front, top and right perspective view of a vehicle
headlight showing my new design;
FIG. 2 is a front elevational view thereof;
FIG. 3 is a rear elevational view thereof;
FIG. 4 is a left side elevational view thereof;
FIG. 5 is a right side elevational view thereof;
FIG. 6 is a top plan view thereof;
FIG. 7 is a bottom plan view thereof; and,
FIG. 8 is a rear, bottom and left perspective view thereof.
The portions in broken lines are shown for illustrative
purposes only and form no part of the claimed design.

1 Claim, 8 Drawing Sheets



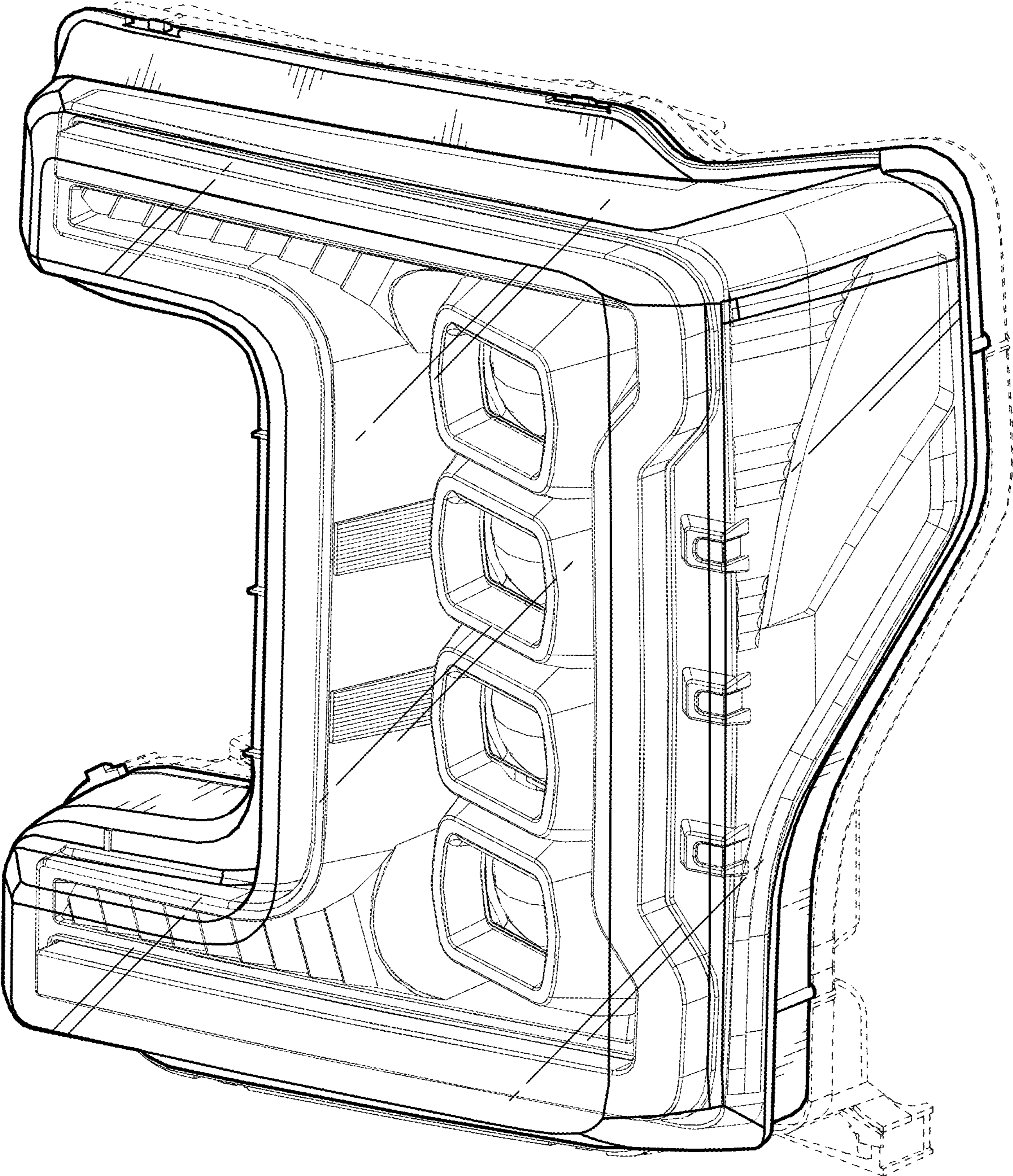


FIG. 1

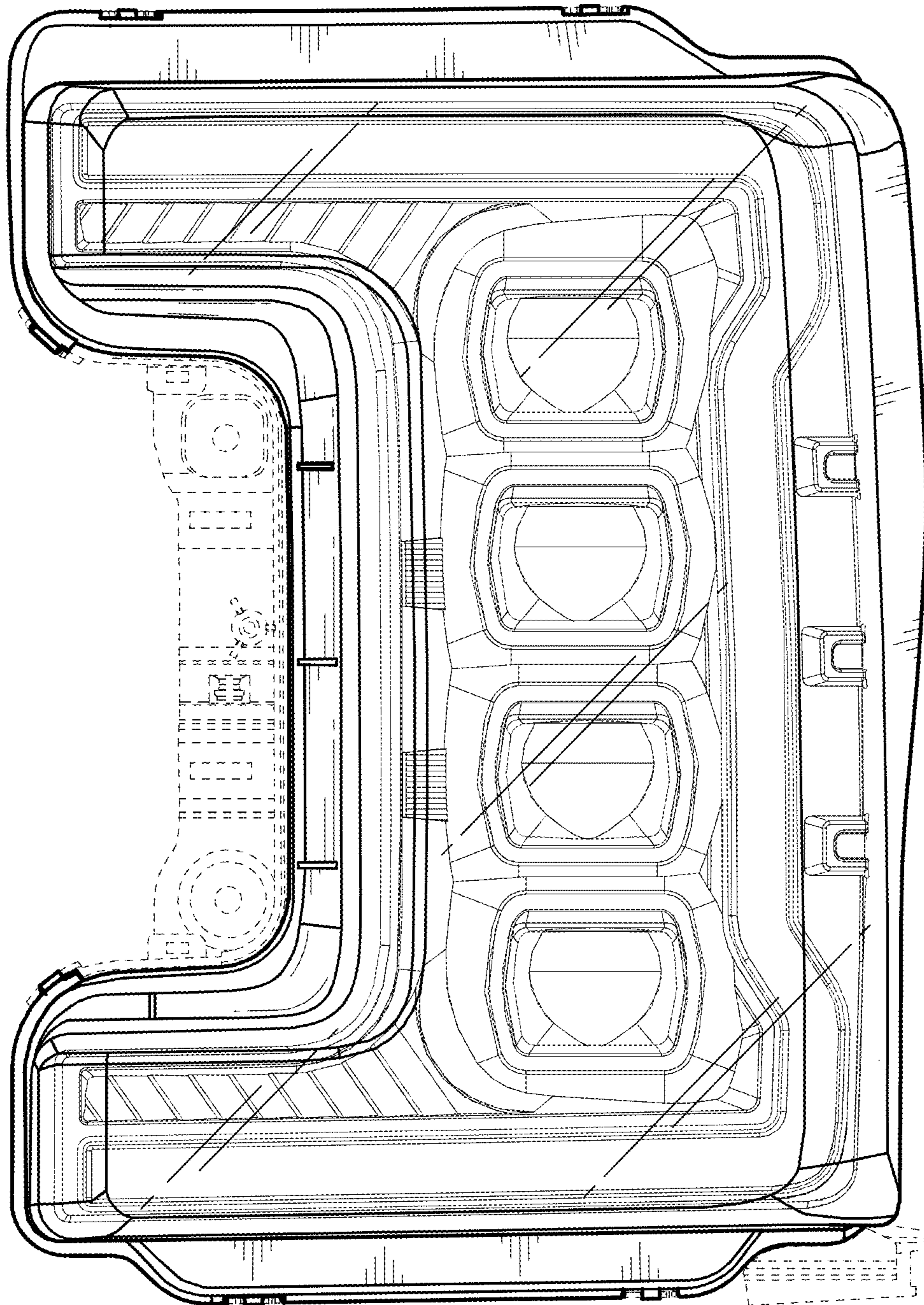


FIG. 2

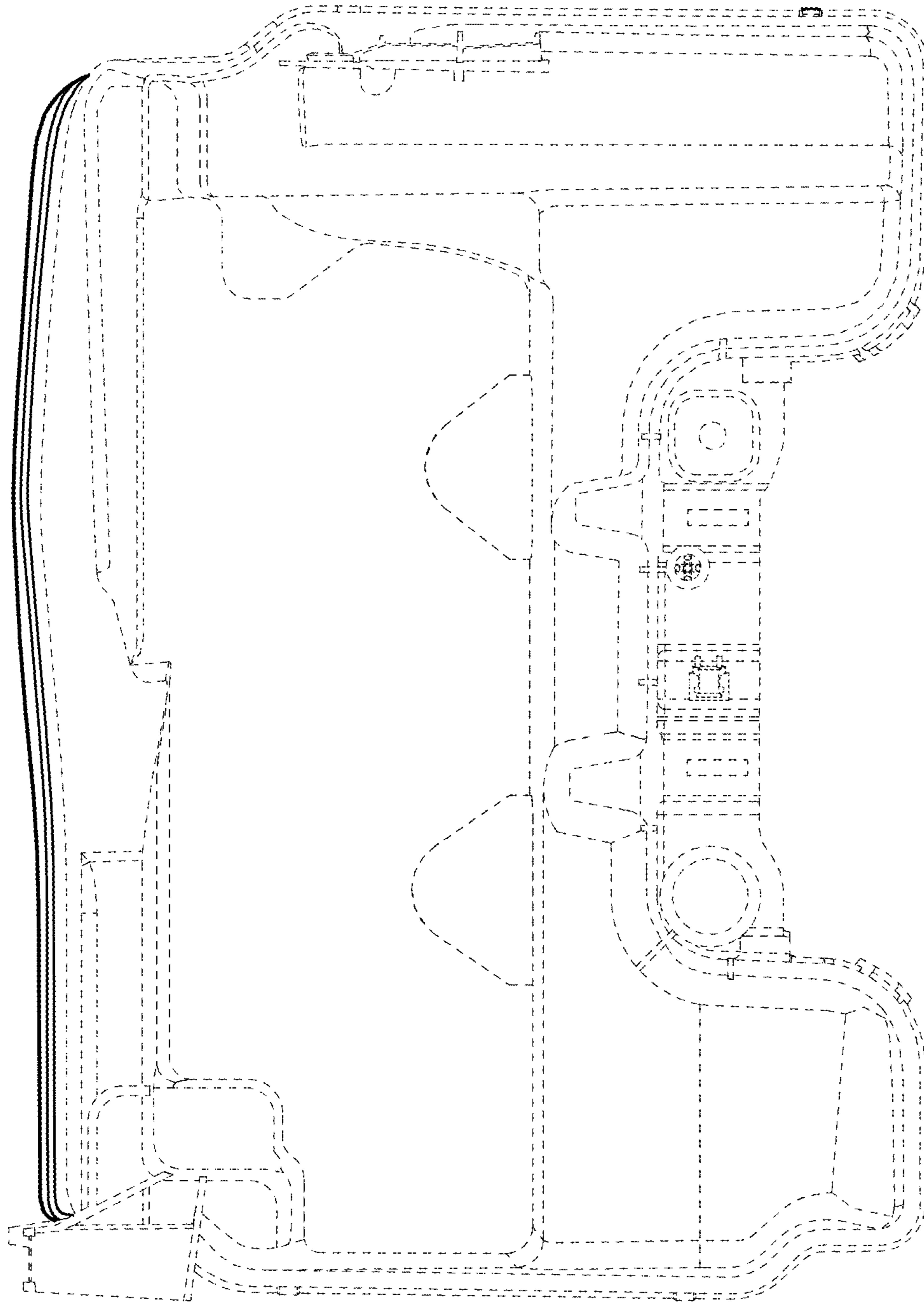


FIG. 3

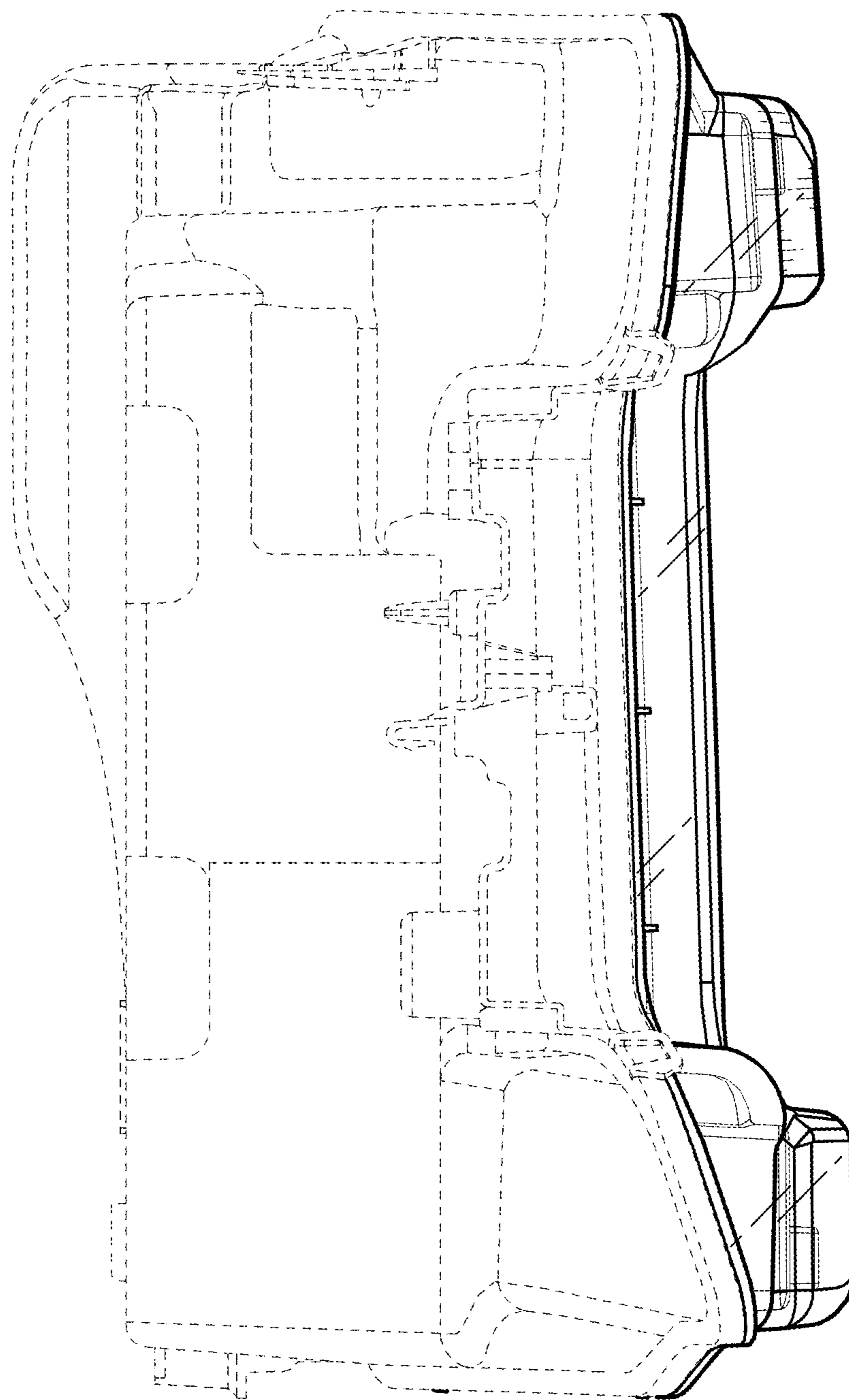


FIG. 4

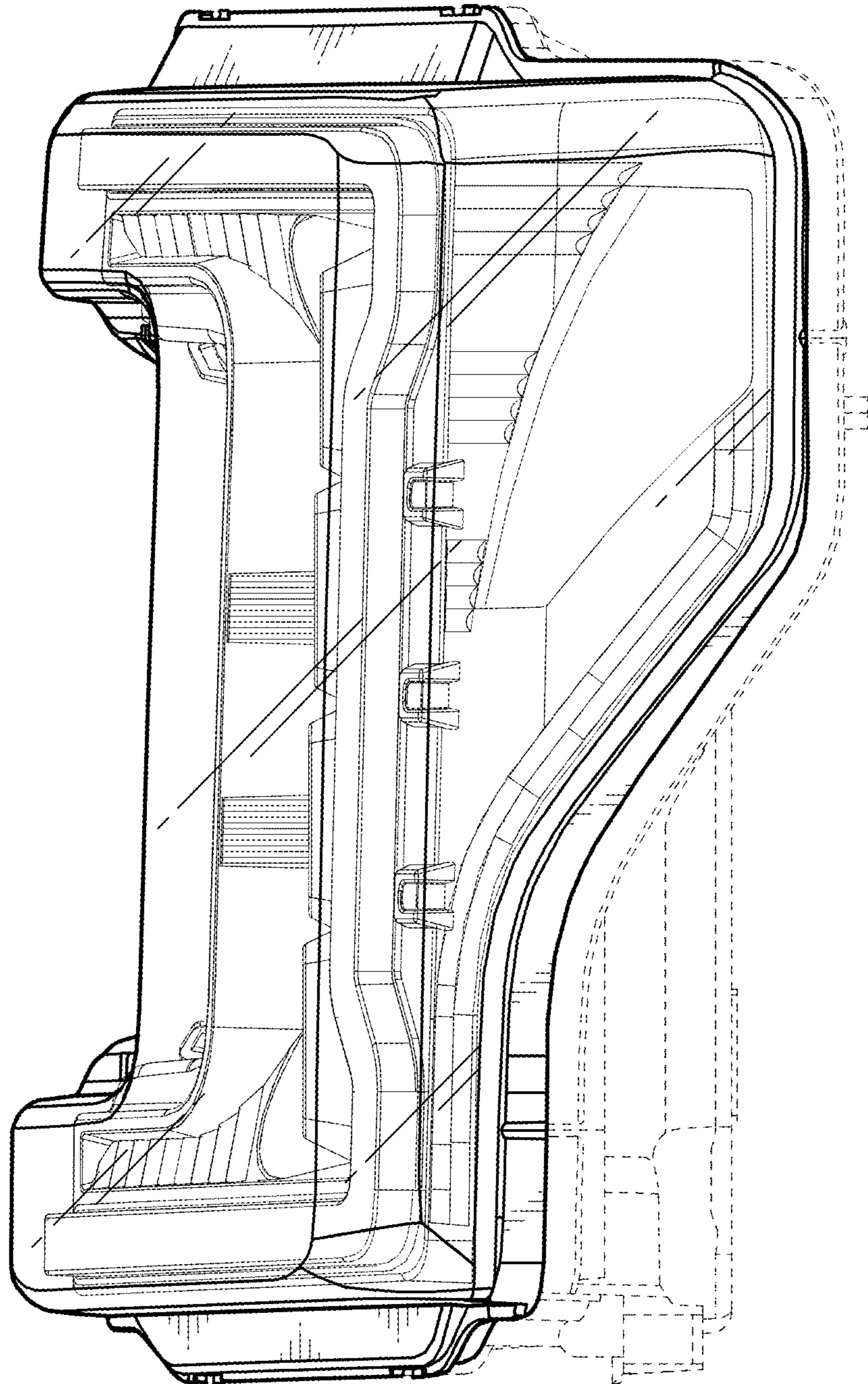


FIG. 5

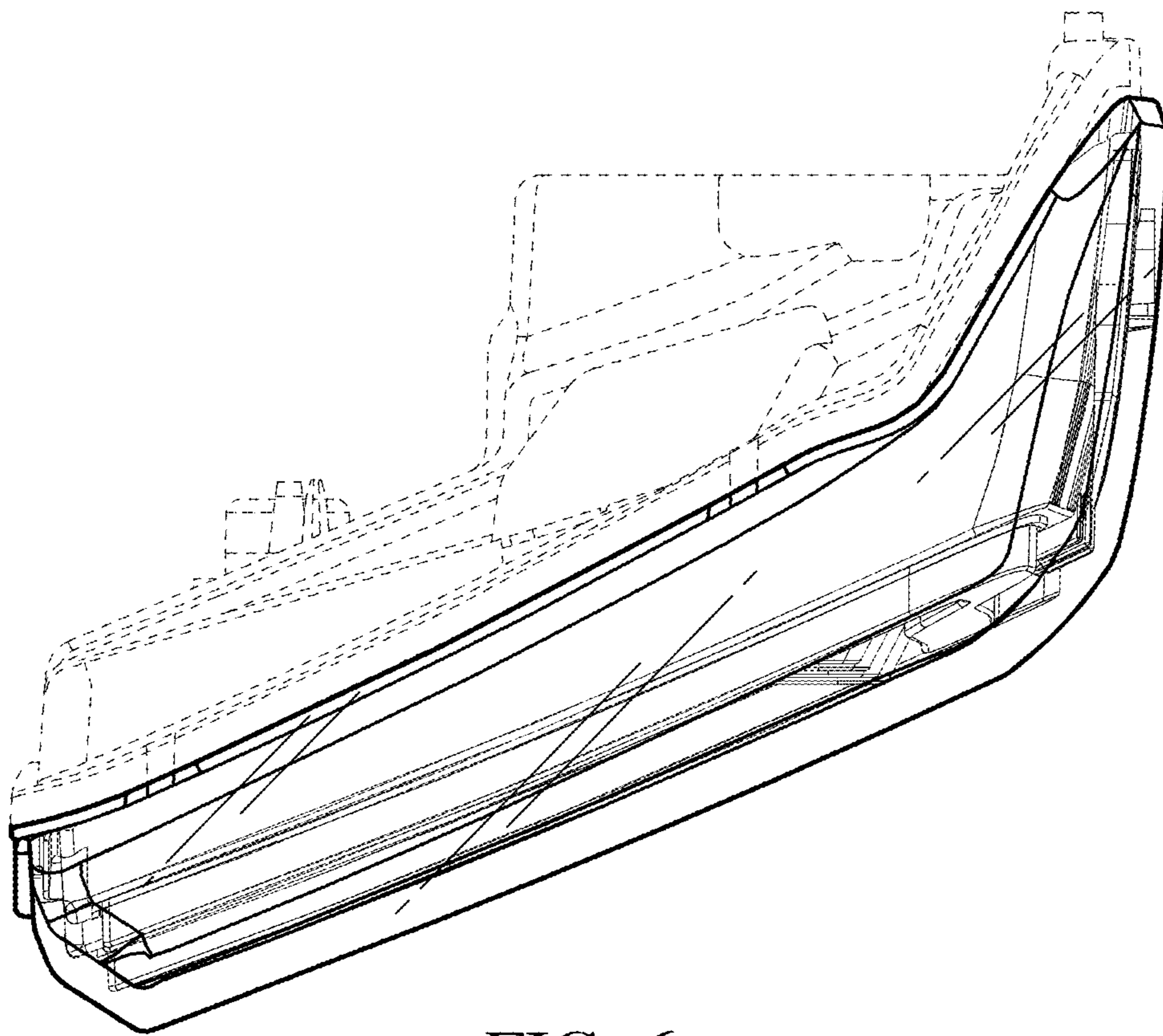


FIG. 6

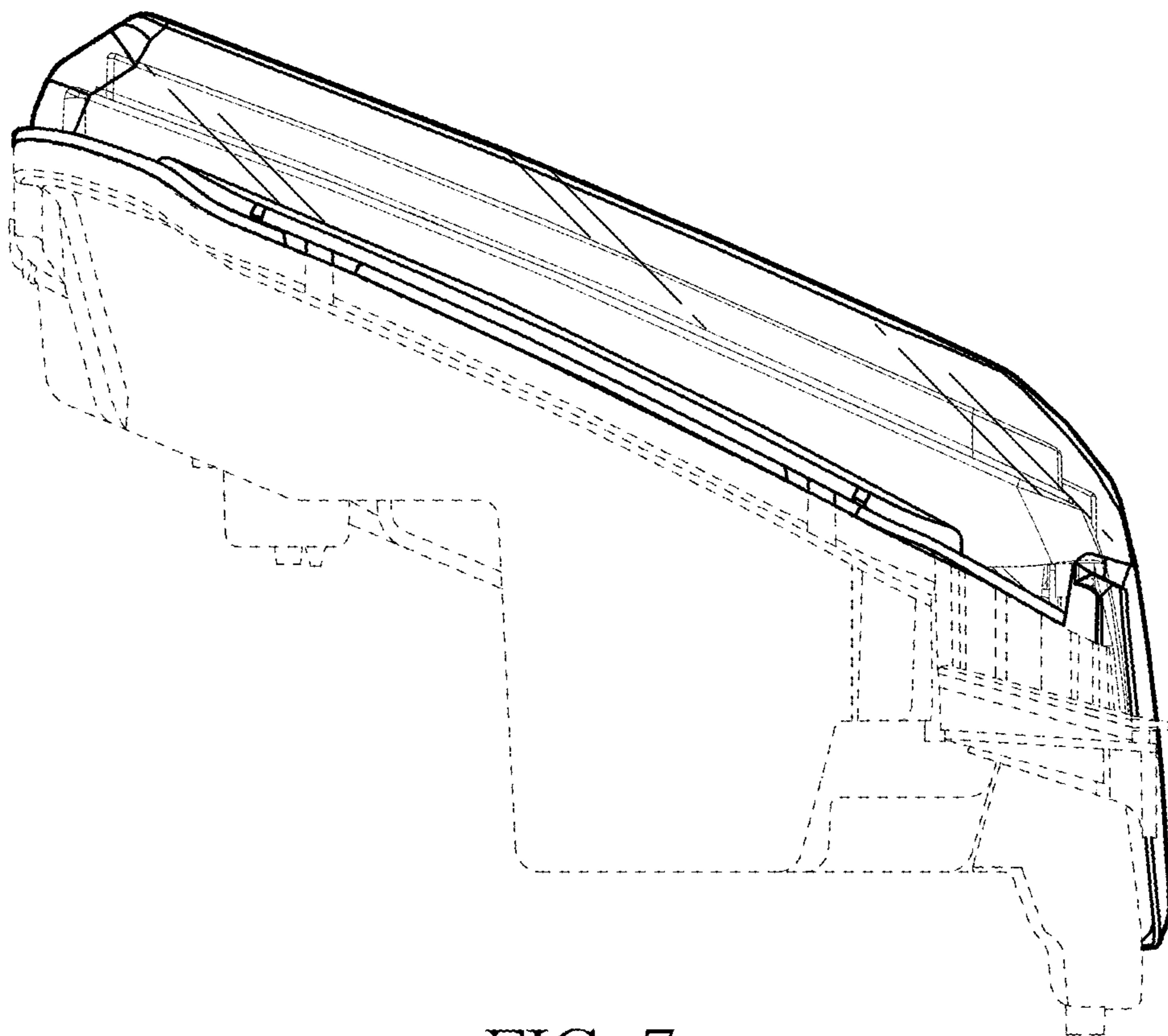


FIG. 7

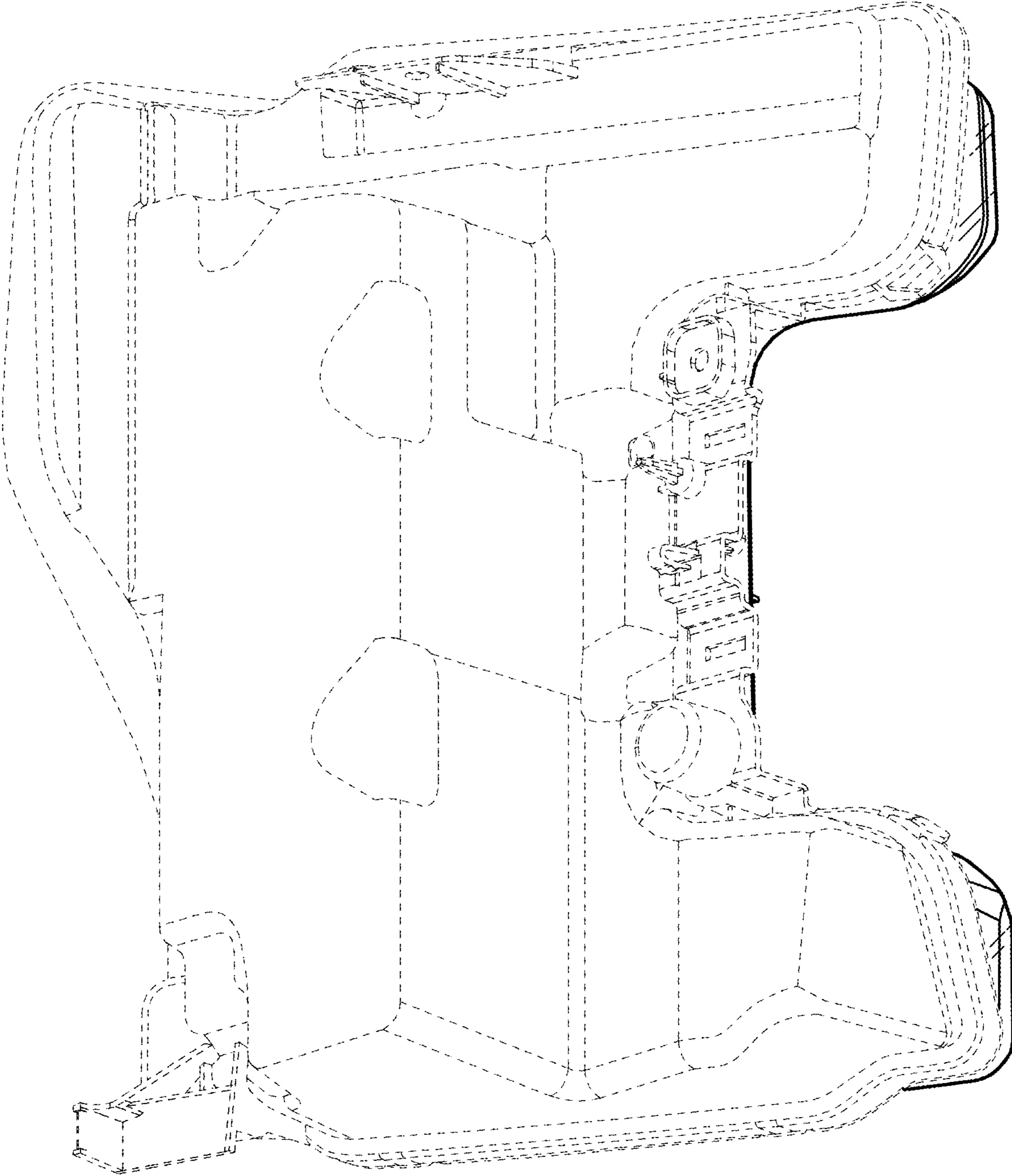


FIG. 8