



US00D890382S

(12) **United States Design Patent**  
**Wu**

(10) **Patent No.:** **US D890,382 S**  
(45) **Date of Patent:** **\*\* Jul. 14, 2020**

(54) **VEHICLE LIGHT**

D565,211 S \* 3/2008 Haller ..... D26/28  
D574,524 S \* 8/2008 Tomatsu ..... D26/28  
D605,793 S \* 12/2009 Weil ..... D26/28

(71) Applicant: **COPLUS INC.**, Tainan (TW)

\* cited by examiner

(72) Inventor: **Po-Hua Wu**, Tainan (TW)

*Primary Examiner* — Marcus A Jackson

(73) Assignee: **Coplus Inc.**, Tainan (TW)

(74) *Attorney, Agent, or Firm* — Lewis Roca Rothgerber  
Christie LLP

(\*\*) Term: **15 Years**

(21) Appl. No.: **29/687,218**

(22) Filed: **Apr. 11, 2019**

(57) **CLAIM**

(30) **Foreign Application Priority Data**

Dec. 5, 2018 (TW) ..... 107307112

The ornamental design for vehicle light, as shown and described.

(51) **LOC (12) Cl.** ..... **26-06**

(52) **U.S. Cl.**  
USPC ..... **D26/28**

(58) **Field of Classification Search**  
USPC ..... D26/28–36, 139  
CPC ..... F21S 48/00; F21S 48/10; F21S 48/115;  
F21S 48/225; F21S 48/1233; F21S  
48/1266; F21S 48/1388; F21S 48/2268;  
F21V 21/04; B60Q 9/13; B60Q 9/135;  
B60Q 9/1375

See application file for complete search history.

**DESCRIPTION**

(56) **References Cited**

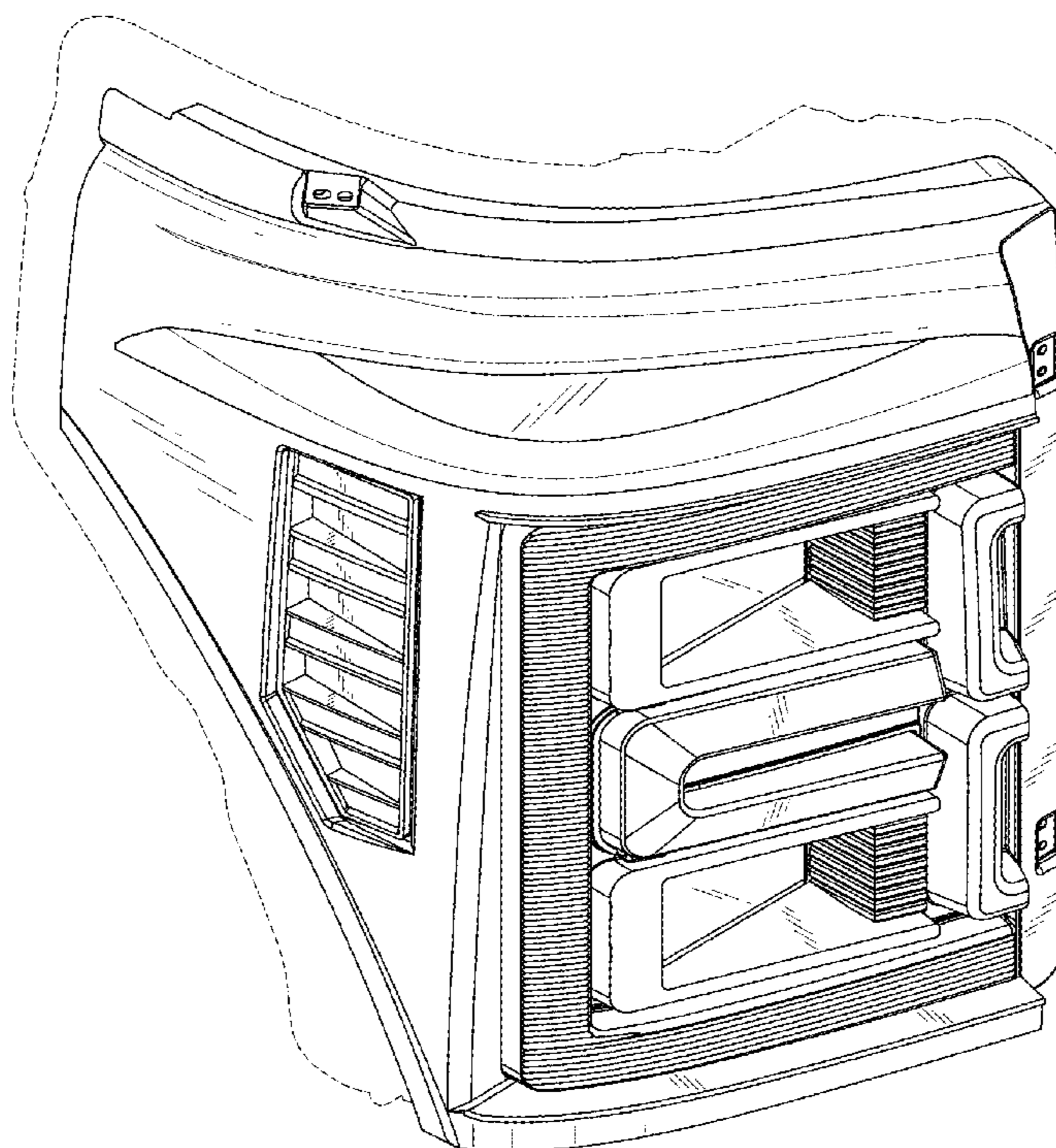
**U.S. PATENT DOCUMENTS**

D549,363 S \* 8/2007 Pfeiffer ..... D26/28  
D552,769 S \* 10/2007 Leclercq ..... D26/28  
D553,268 S \* 10/2007 Pfeiffer ..... D26/28  
D560,292 S \* 1/2008 Sato ..... D26/28

FIG. 1 is a perspective view of a vehicle light;  
FIG. 2 is a front view thereof;  
FIG. 3 is a left side view thereof;  
FIG. 4 is a right side view thereof;  
FIG. 5 is a top view thereof; and,  
FIG. 6 is a bottom view thereof.

The broken lines in the drawings are for illustrative purpose only and form no part of the claimed design.

**1 Claim, 6 Drawing Sheets**



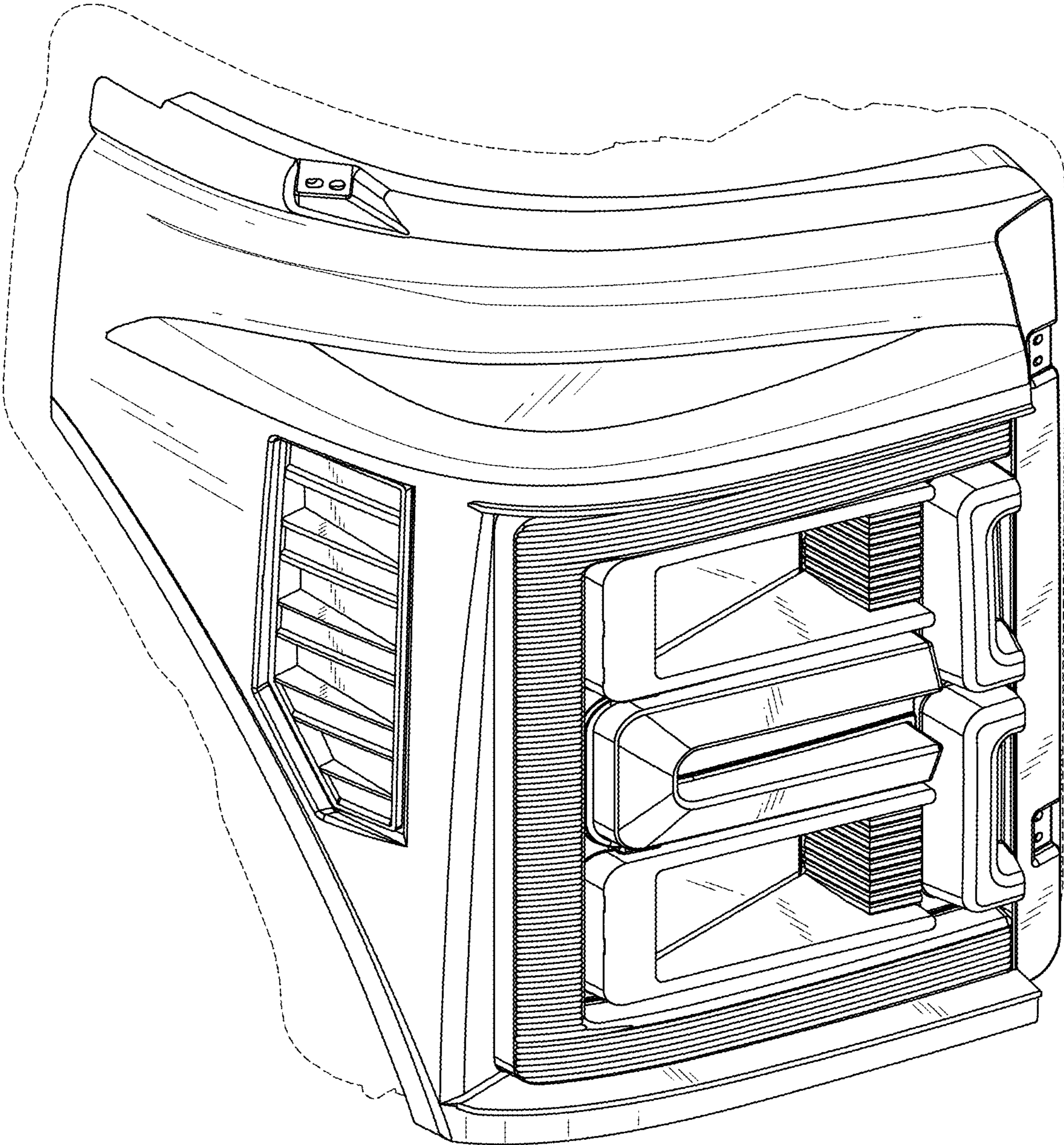


FIG. 1



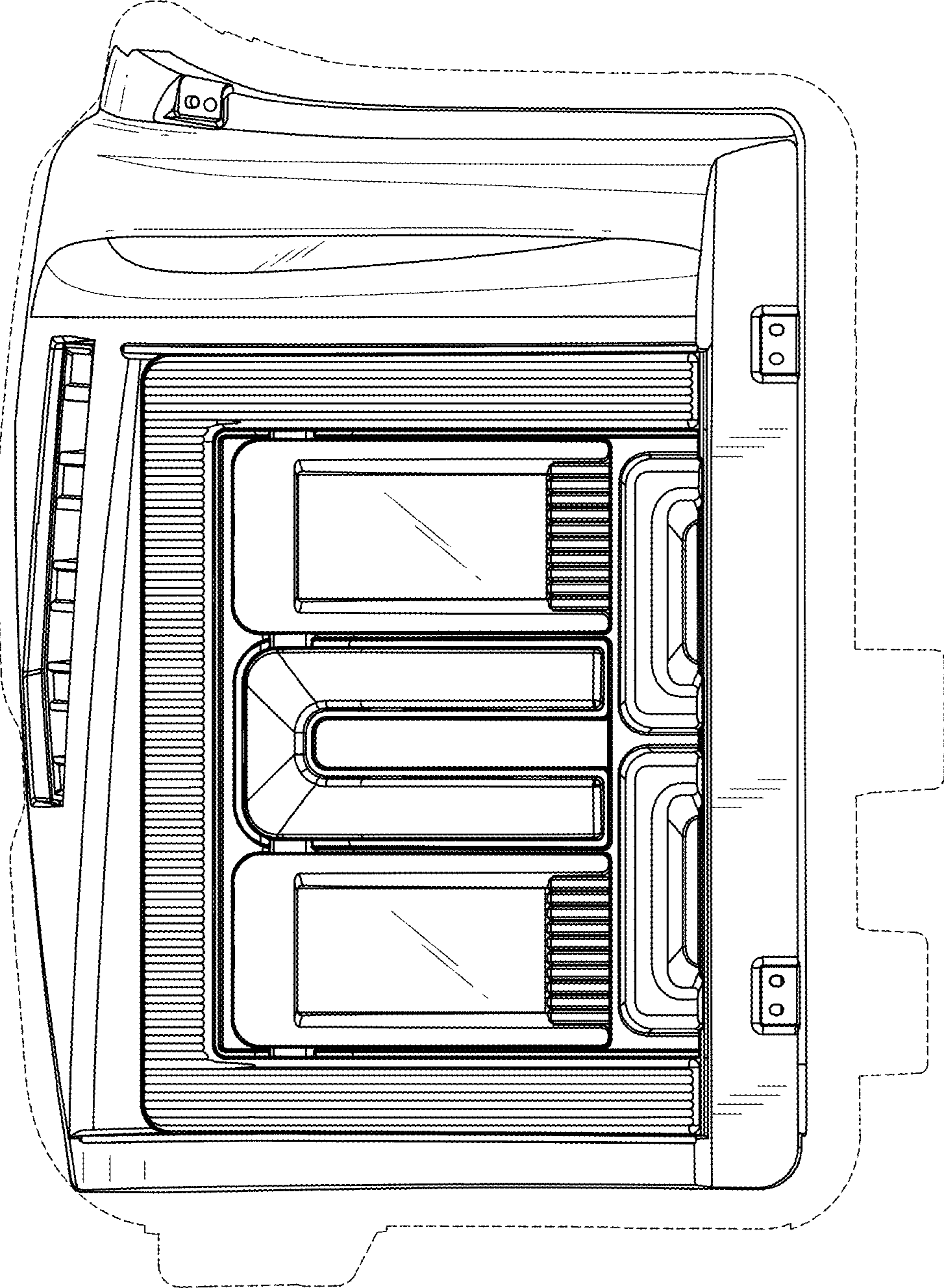


FIG. 2

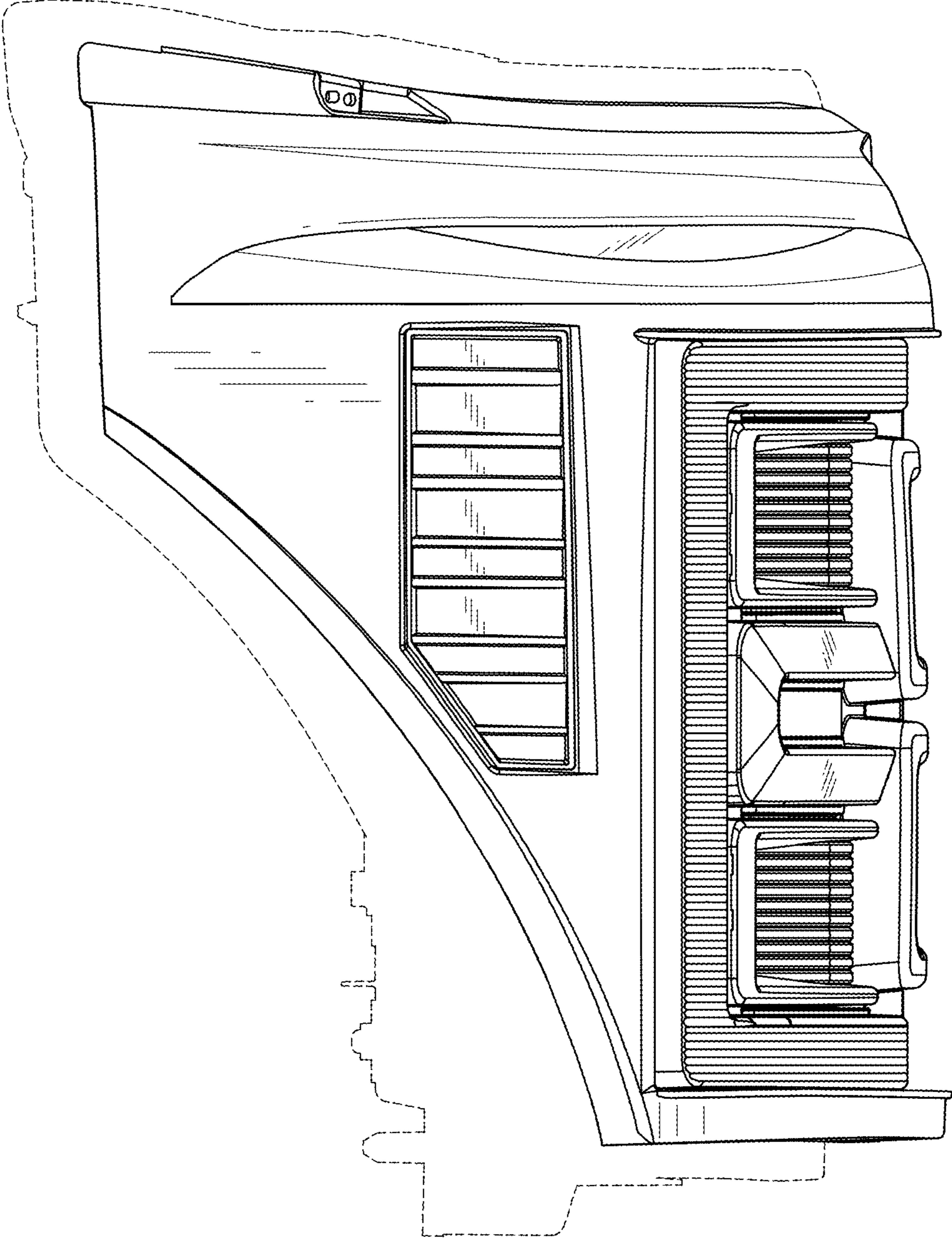


FIG. 3

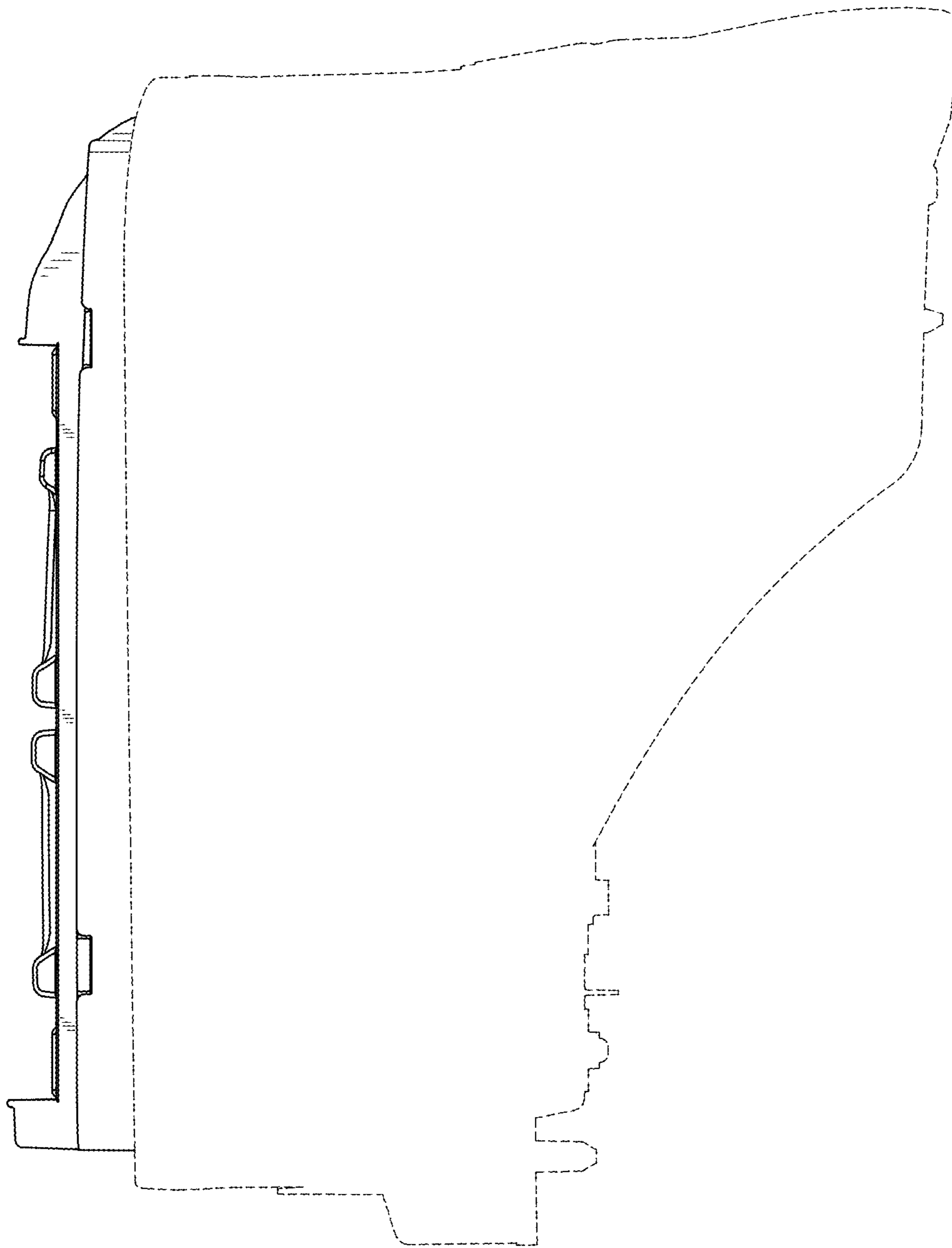


FIG. 4

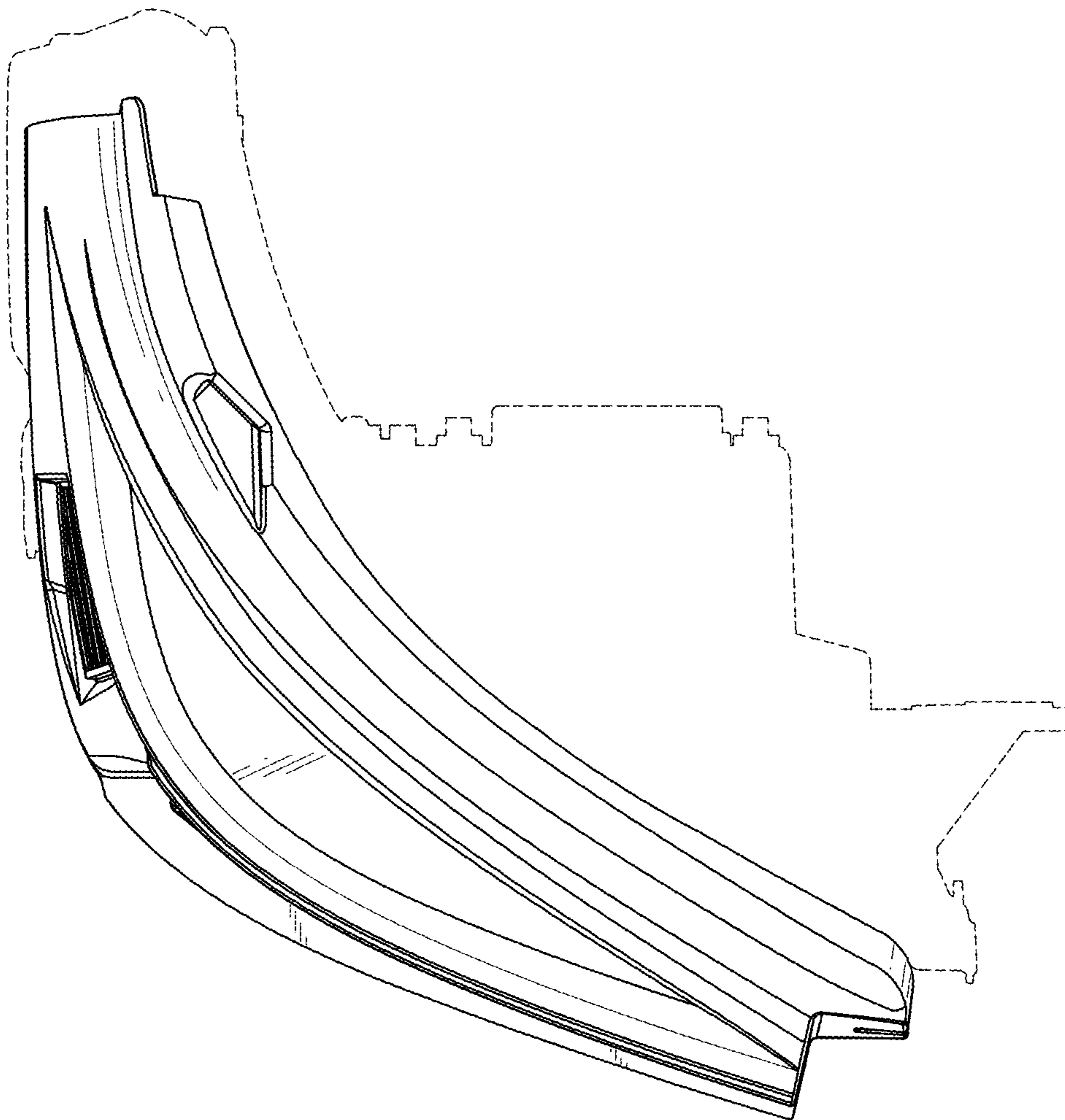


FIG. 5

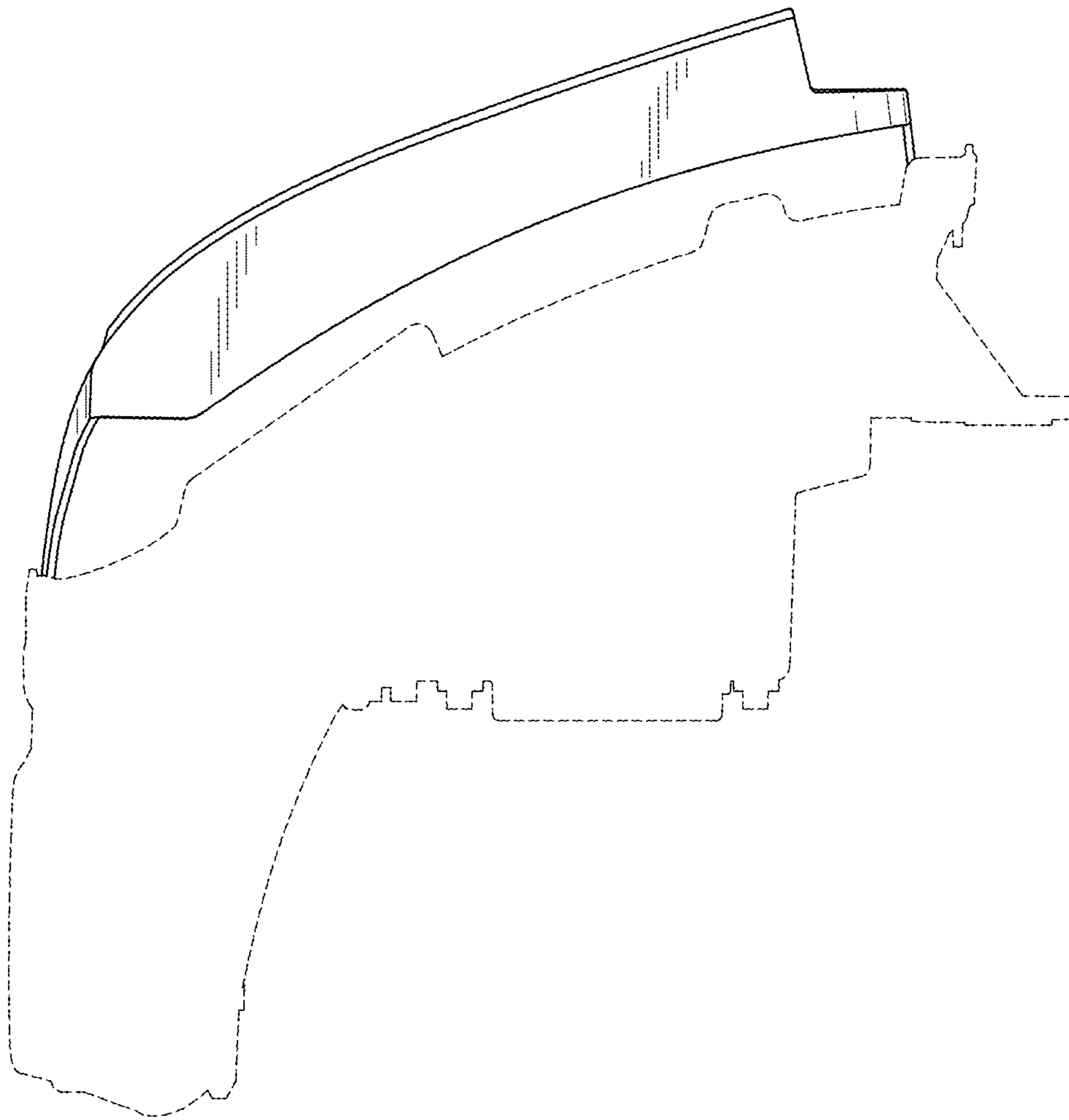


FIG. 6