



US00D890379S

(12) **United States Design Patent**  
**Anton et al.**

(10) **Patent No.:** **US D890,379 S**  
(45) **Date of Patent:** **\*\* Jul. 14, 2020**

(54) **TAILLIGHT FOR A VEHICLE**  
(71) Applicant: **Bayerische Motoren Werke**  
**Aktiengesellschaft, Munich (DE)**

D716,478 S \* 10/2014 Loeb ..... D26/28  
D728,137 S \* 4/2015 Ha ..... D26/28  
D746,497 S \* 12/2015 Behmer ..... D26/28  
D749,247 S \* 2/2016 Han ..... D26/28  
D789,580 S 6/2017 Schneider

(72) Inventors: **Moritz Anton, Munich (DE); Sebastian**  
**Morgenstern, Karlsfeld (DE)**

**FOREIGN PATENT DOCUMENTS**

(73) Assignee: **Bayerische Motoren Werke**  
**Aktiengesellschaft, Munich (DE)**

EM 002568931-0001 12/2014  
WO WO DM/099480 7/2018

(\*\*) Term: **15 Years**

\* cited by examiner

*Primary Examiner* — Marcus A Jackson

(21) Appl. No.: **29/683,541**

(74) *Attorney, Agent, or Firm* — Crowell & Moring LLP

(22) Filed: **Mar. 14, 2019**

(57) **CLAIM**

(30) **Foreign Application Priority Data**

The ornamental design for a taillight for a vehicle, as shown and described.

Sep. 20, 2018 (DE) ..... 40 2018 100 957

(51) **LOC (12) Cl.** ..... **26-06**

(52) **U.S. Cl.**  
USPC ..... **D26/28**

(58) **Field of Classification Search**  
USPC ..... D26/28-36, 139  
CPC ..... F21S 48/00; F21S 48/10; F21S 48/115;  
F21S 48/225; F21S 48/1233; F21S  
48/1266; F21S 48/1388; F21S 48/2268;  
F21V 21/04; F21V 29/004; B60Q 9/13;  
B60Q 9/135; B60Q 9/1375  
See application file for complete search history.

**DESCRIPTION**

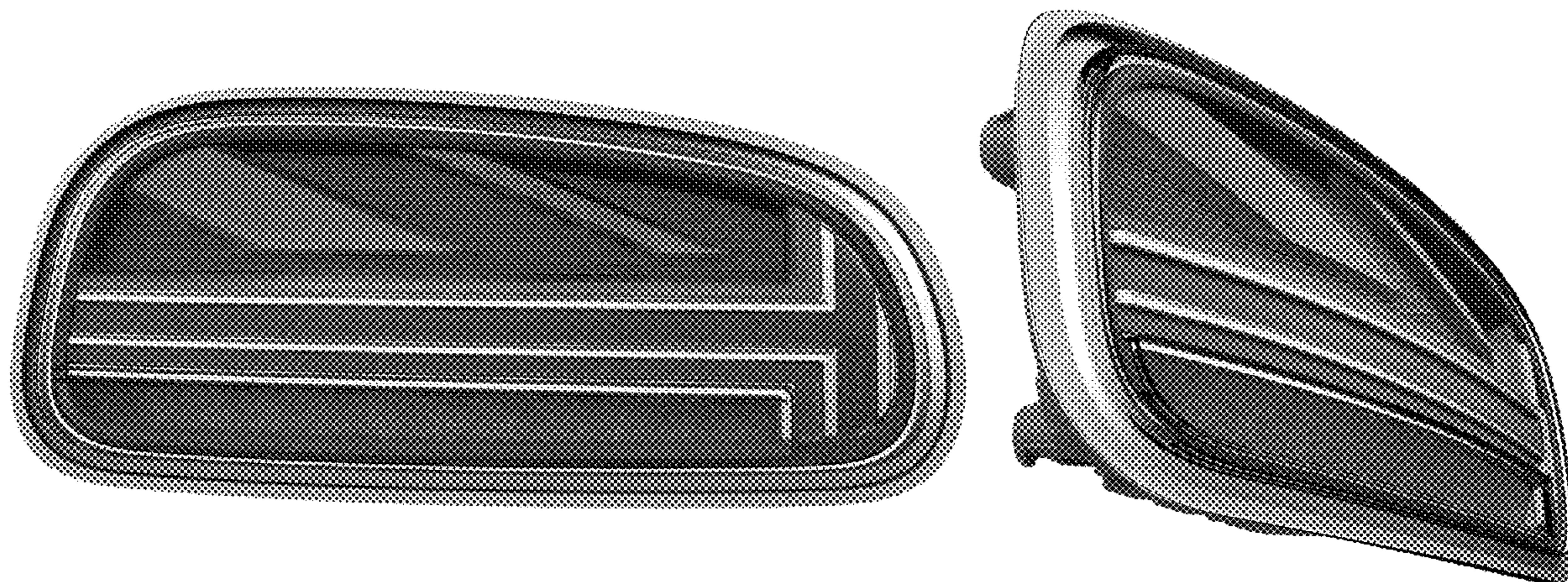
This application contains subject matter related to the following co-pending U.S. design patent application: Application Ser. No. 29/632,574, filed Jan. 9, 2018 and entitled "Taillight For a Vehicle."  
FIG. 1 is a front view of a taillight for a vehicle according to the design;  
FIG. 2 is a left, front perspective view thereof;  
FIG. 3 is a right, front perspective view thereof;  
FIG. 4 is a left side view thereof;  
FIG. 5 is a right side view thereof;  
FIG. 6 is a top view thereof;  
FIG. 7 is a bottom view thereof; and,  
FIG. 8 is a rear view thereof.

(56) **References Cited**

**U.S. PATENT DOCUMENTS**

D409,772 S \* 5/1999 Bangle ..... D26/28  
D675,353 S \* 1/2013 Kazama ..... D26/28

**1 Claim, 8 Drawing Sheets**



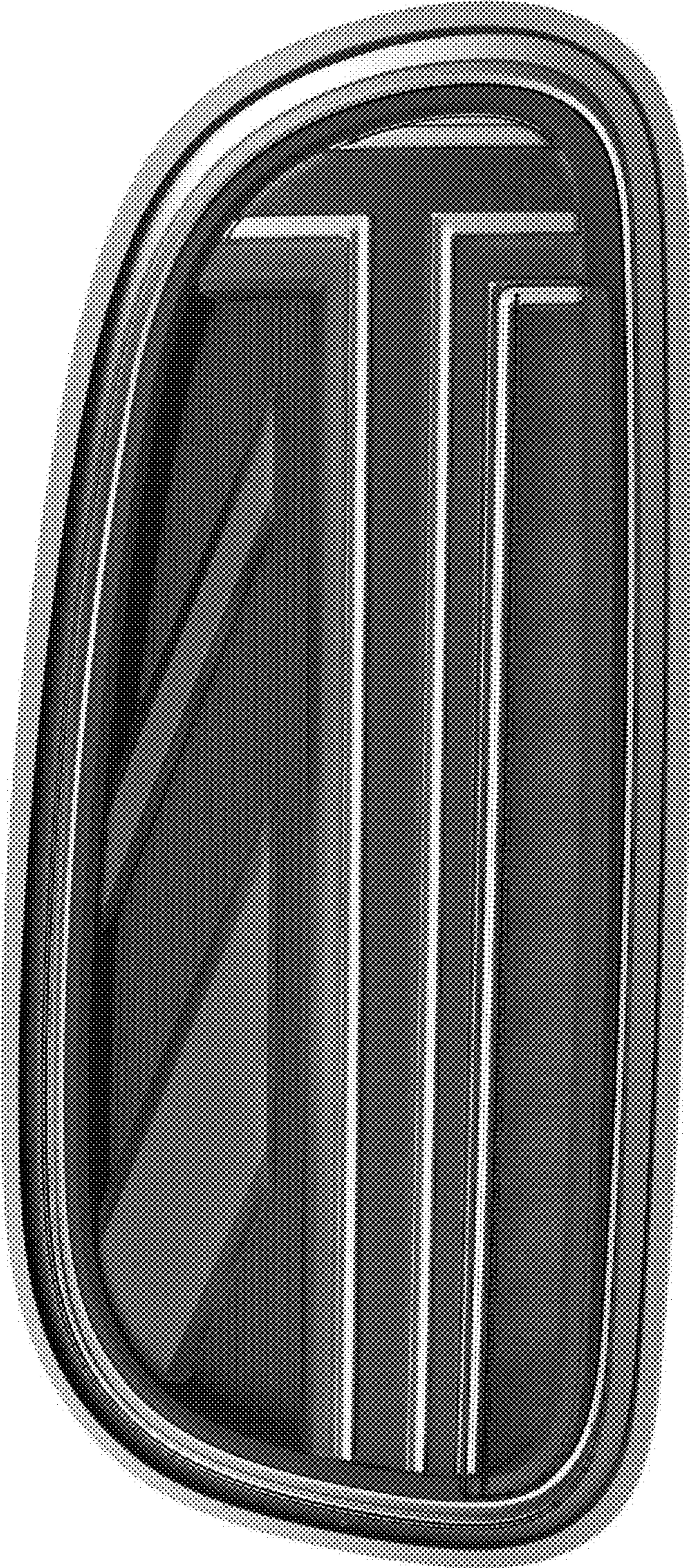


Fig. 1



Fig. 2



Fig. 3



Fig. 4

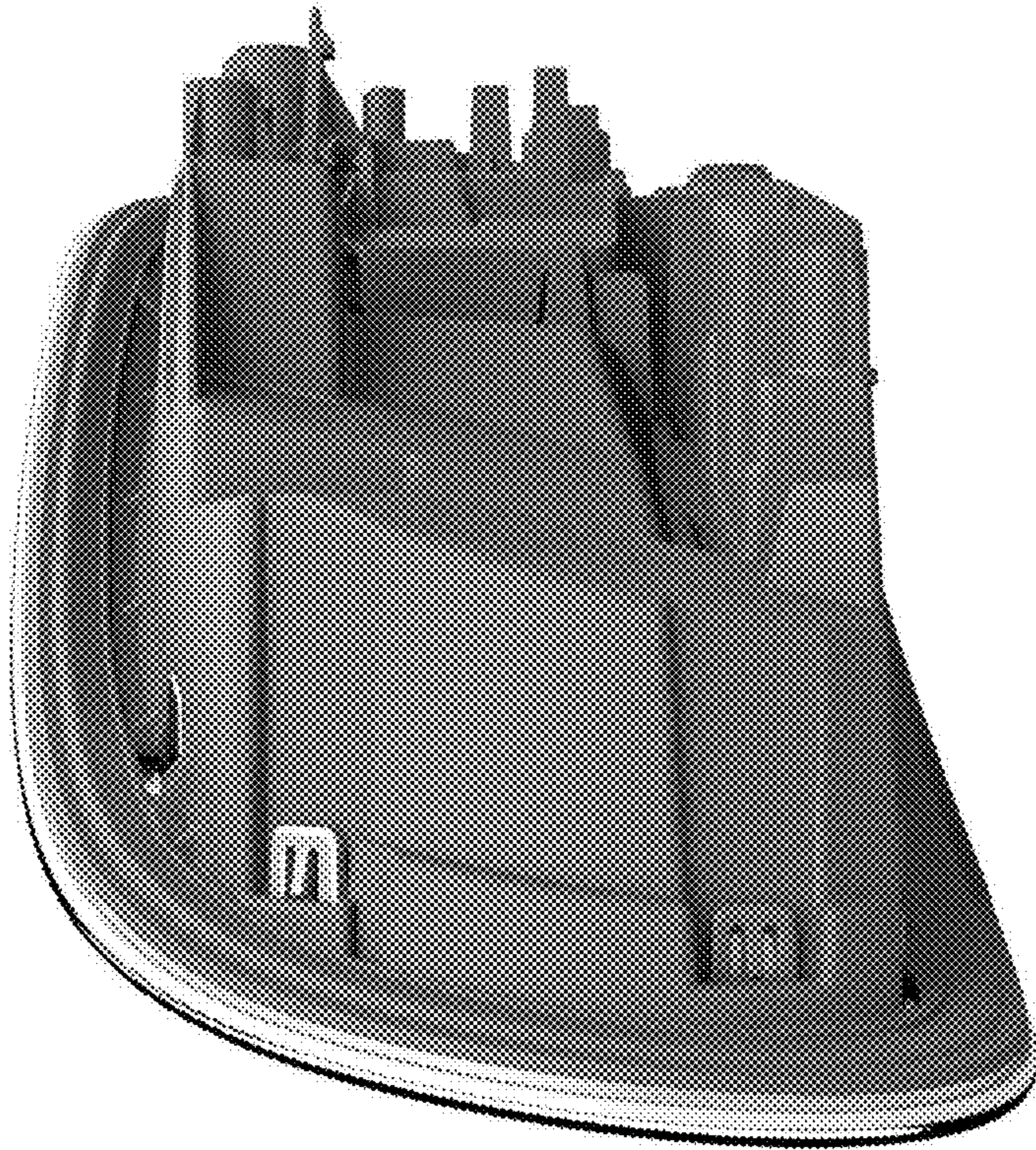


Fig. 5

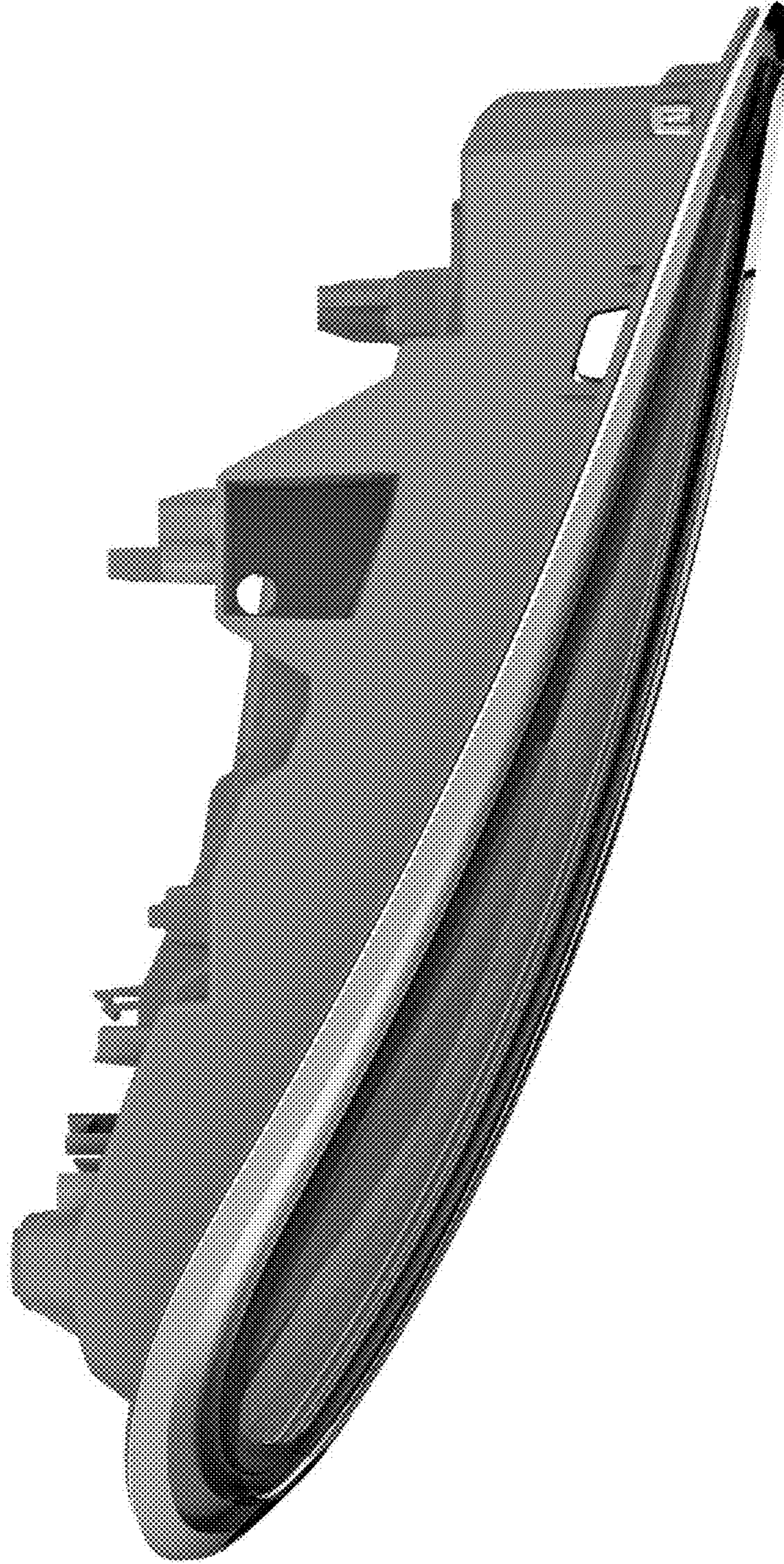


Fig. 6

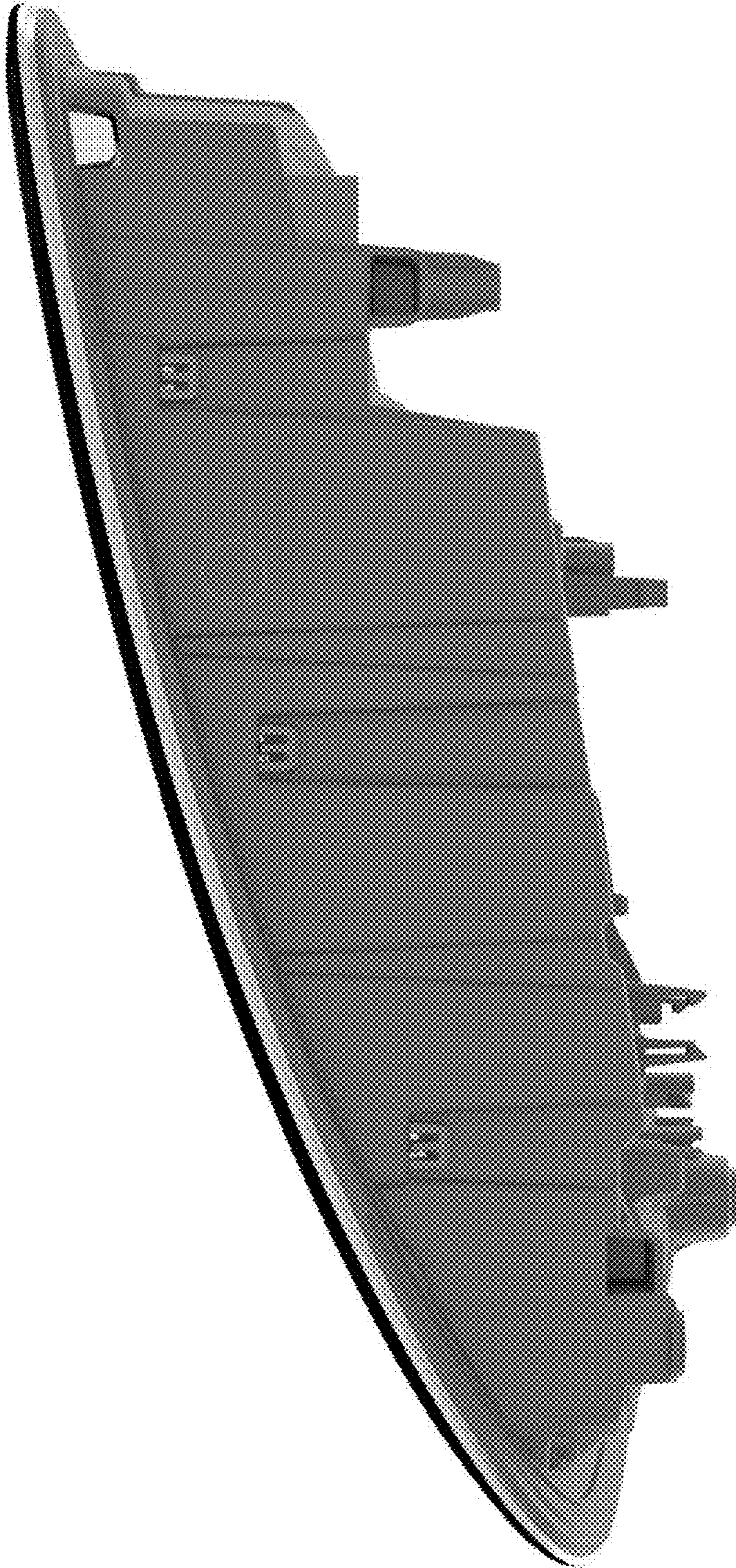


Fig. 7



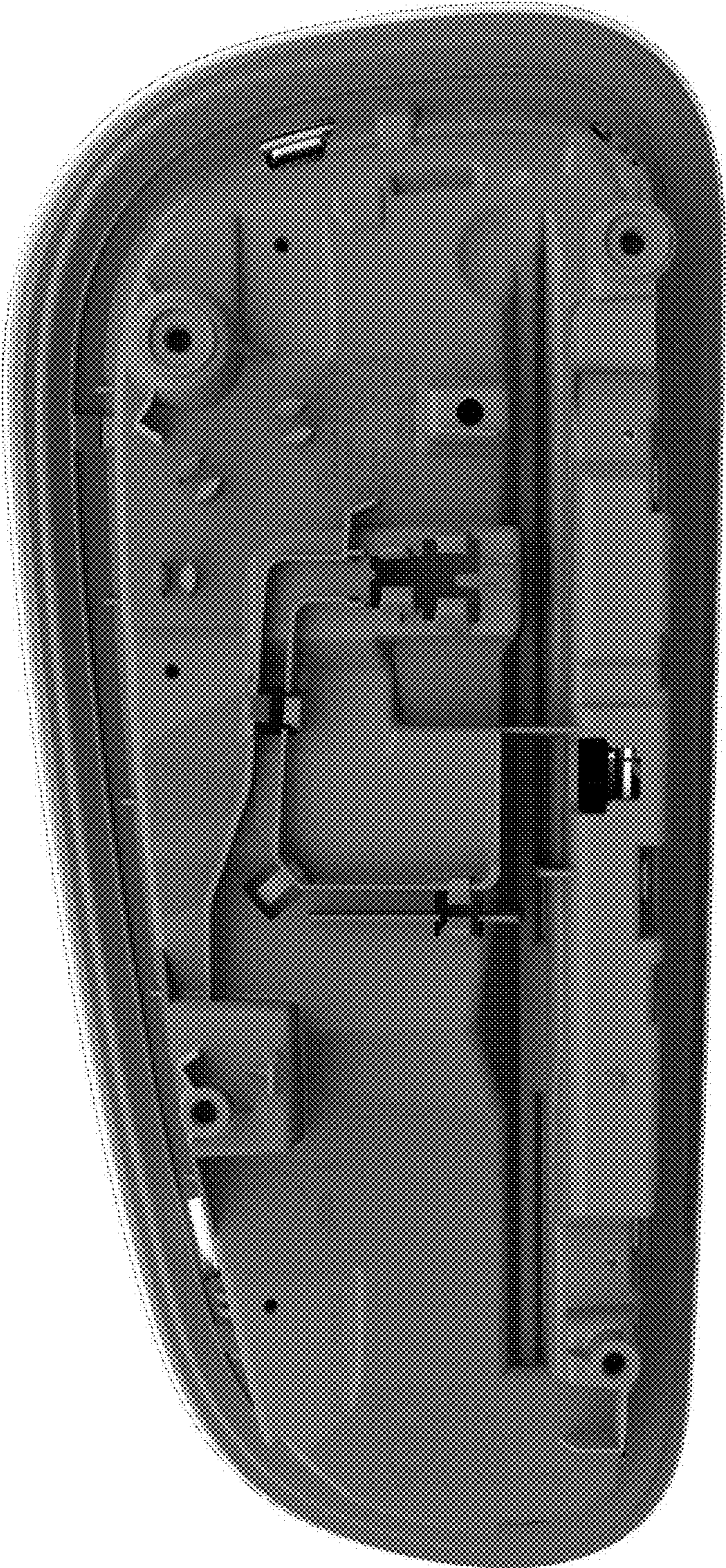


Fig. 8