



US00D890376S

(12) **United States Design Patent**
Hamilton et al.

(10) **Patent No.:** **US D890,376 S**
(45) **Date of Patent:** **** Jul. 14, 2020**

(54) **VEHICLE HEADLIGHT**
(71) Applicant: **Ford Global Technologies, LLC**,
Dearborn, MI (US)
(72) Inventors: **Christopher Hamilton**, Chelmsford
(GB); **Jordan Bennett**, Brentwood
(GB)
(73) Assignee: **Ford Global Technologies, LLC**,
Dearborn, MI (US)

D588,718 S 3/2009 Spearman-Oxx et al.
D665,110 S 8/2012 Svensson et al.
D670,417 S 11/2012 Svensson et al.
D675,759 S * 2/2013 Wada D26/28
D677,813 S * 3/2013 Hanaoka D26/28
D696,165 S 12/2013 Campbell et al.
D712,073 S 9/2014 Campbell et al.
D713,571 S 9/2014 Campbell et al.
D833,045 S 11/2018 Metros et al.
D835,308 S 12/2018 Metros et al.

(**) Term: **15 Years**

(21) Appl. No.: **29/680,354**

(22) Filed: **Feb. 15, 2019**

(30) **Foreign Application Priority Data**

Aug. 28, 2018 (DE) 40 2018 100 843

(51) **LOC (12) Cl.** **26-06**

(52) **U.S. Cl.**
USPC **D26/28**

(58) **Field of Classification Search**
USPC D26/28-36, 139
CPC F21S 48/00; F21S 48/10; F21S 48/115;
F21S 48/225; F21S 48/1233; F21S
48/1266; F21S 48/1388; F21S 48/2268;
F21V 21/04; F21V 29/004; B60Q 9/13;
B60Q 9/135; B60Q 9/1375
See application file for complete search history.

(56) **References Cited**

U.S. PATENT DOCUMENTS

D528,231 S * 9/2006 Ikeda D26/28
D529,208 S * 9/2006 Ikeda D26/28
D535,409 S * 1/2007 Yamaguchi D26/28

FOREIGN PATENT DOCUMENTS

DE 402012100340.2 5/2012
DE 402012100342.9 5/2012
DE 402018100305.0 5/2018

* cited by examiner

Primary Examiner — Marcus A Jackson

(74) *Attorney, Agent, or Firm* — Vichit Chea

(57) **CLAIM**

The ornamental design for a vehicle headlight, as shown and described.

DESCRIPTION

FIG. 1 is a front elevational view of a vehicle headlight, showing our new design;
FIG. 2 is a rear elevational view thereof;
FIG. 3 is a left side elevational view thereof;
FIG. 4 is a right side elevational view thereof;
FIG. 5 is a top plan view thereof;
FIG. 6 is a bottom plan view thereof;
FIG. 7 is a top, front, and left side perspective view thereof; and,
FIG. 8 is a bottom, front, and left side perspective view thereof.

1 Claim, 8 Drawing Sheets

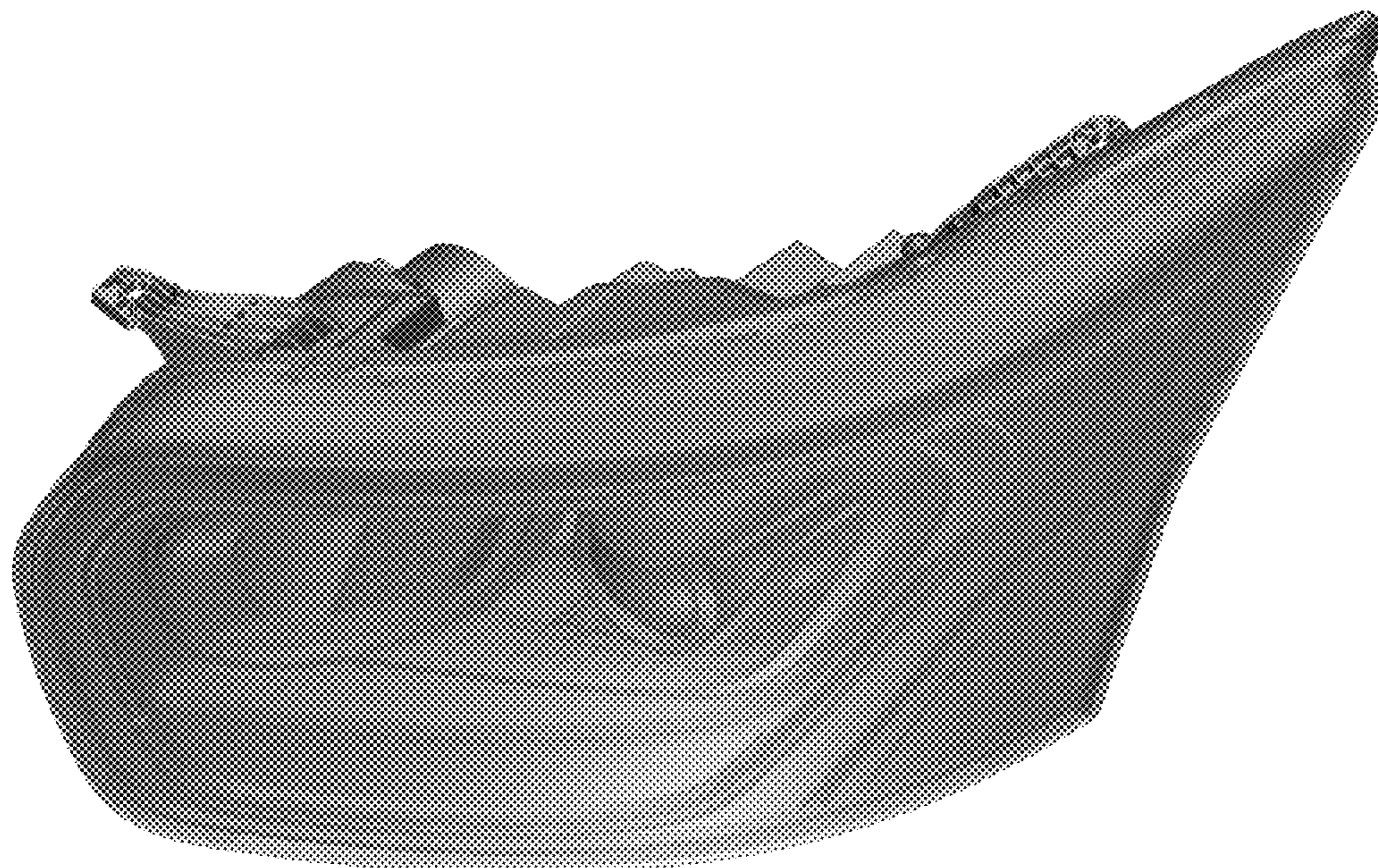




Fig. 1

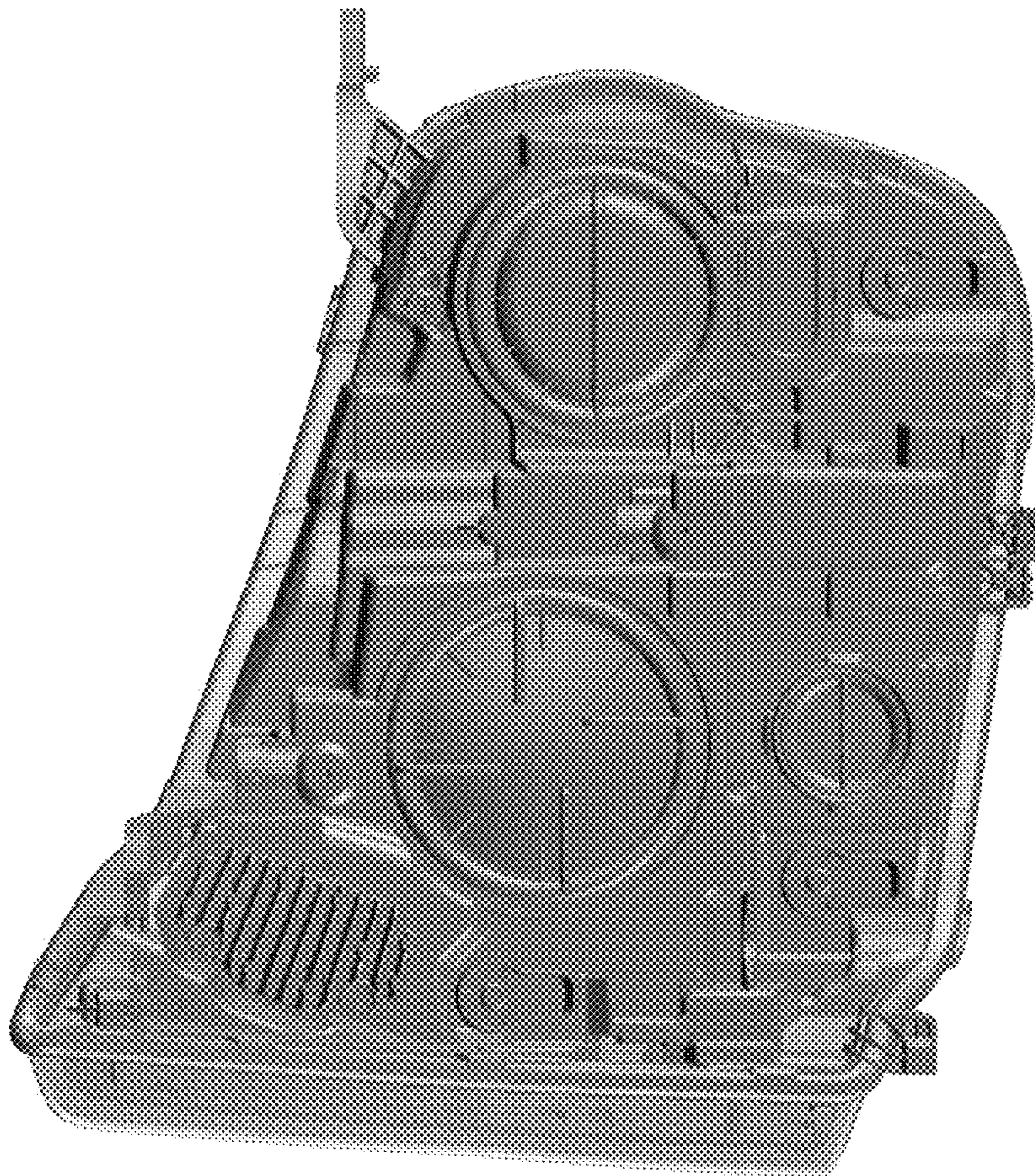


Fig. 2

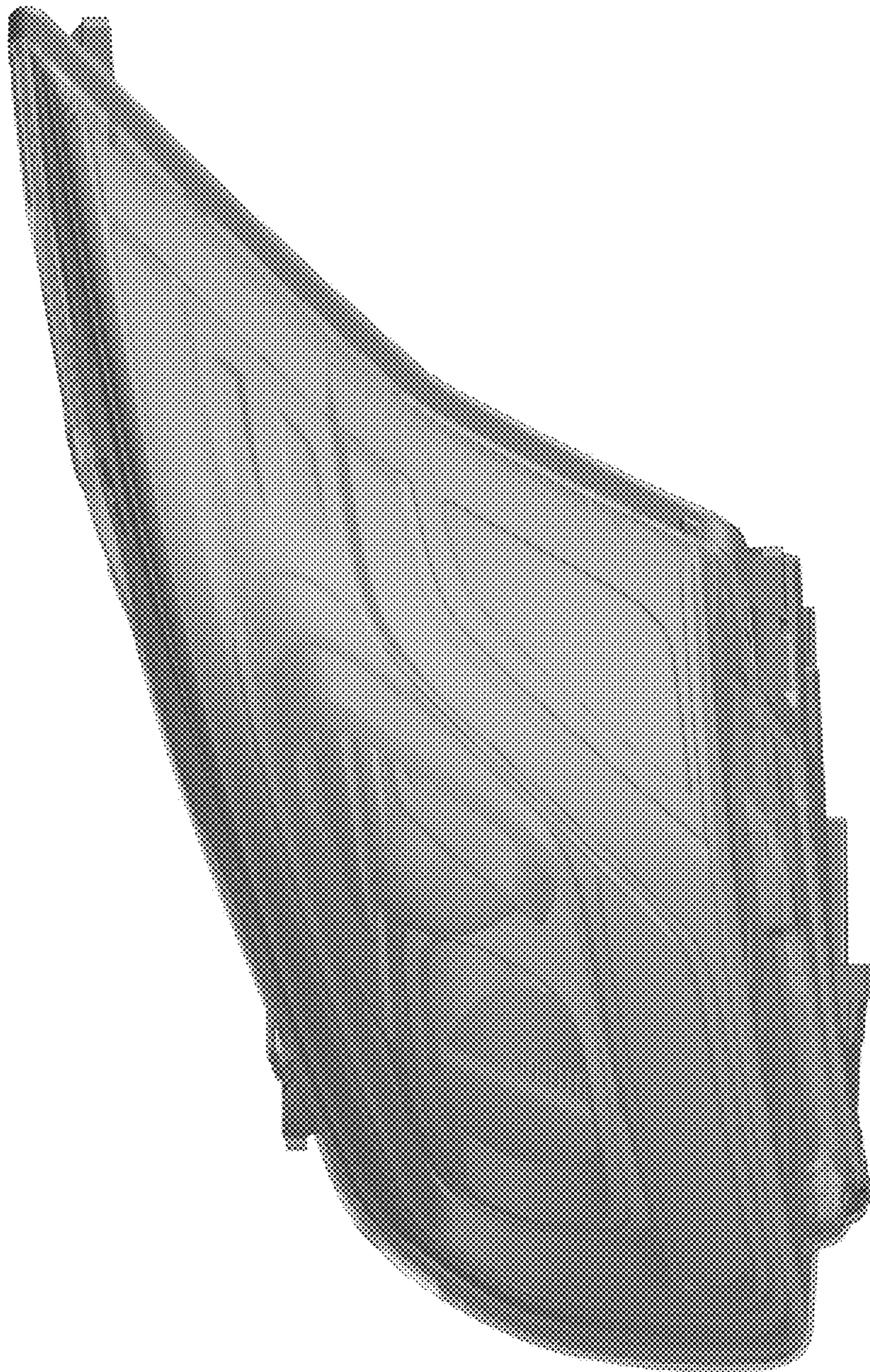


Fig. 3

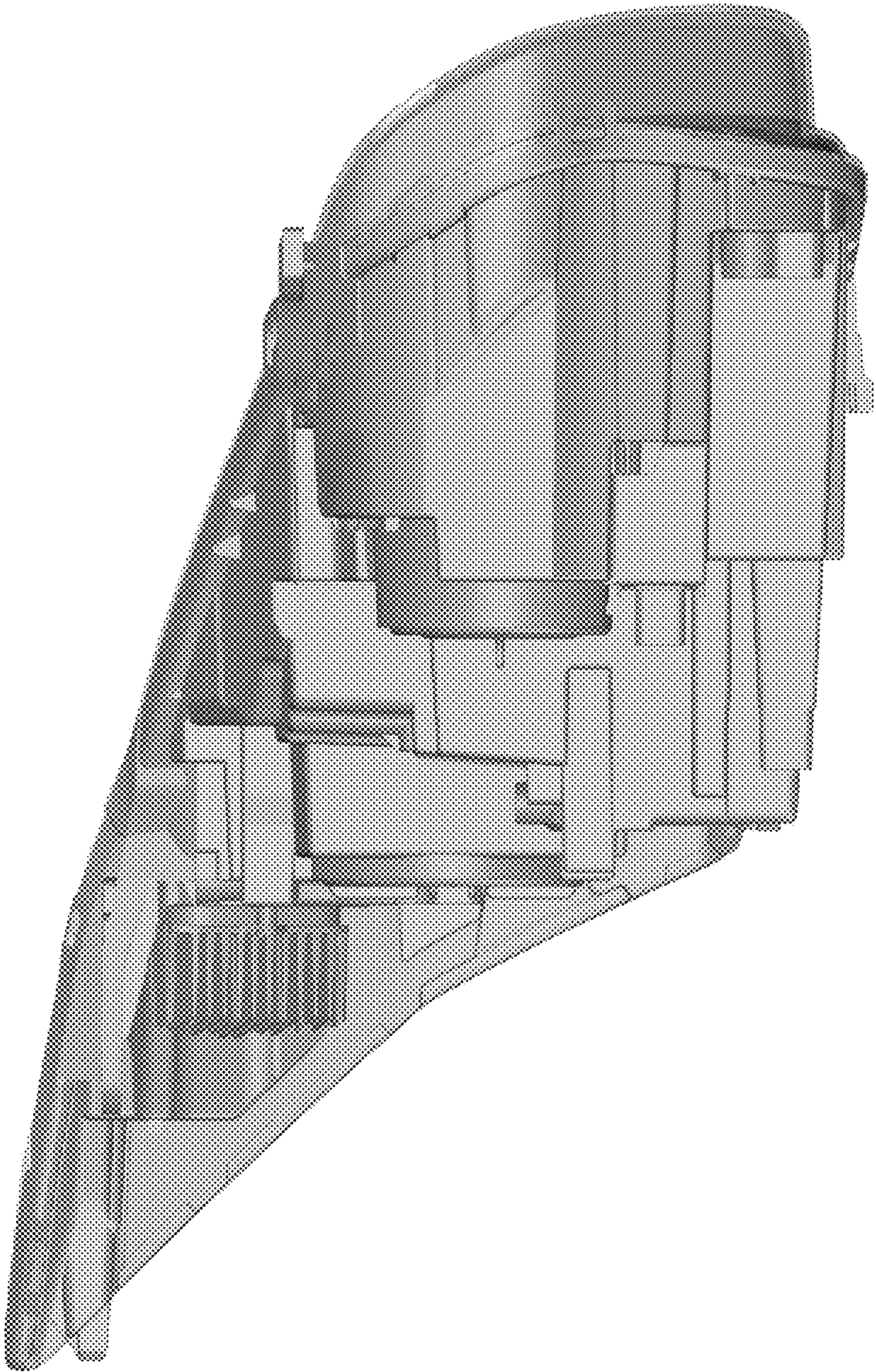


Fig. 4

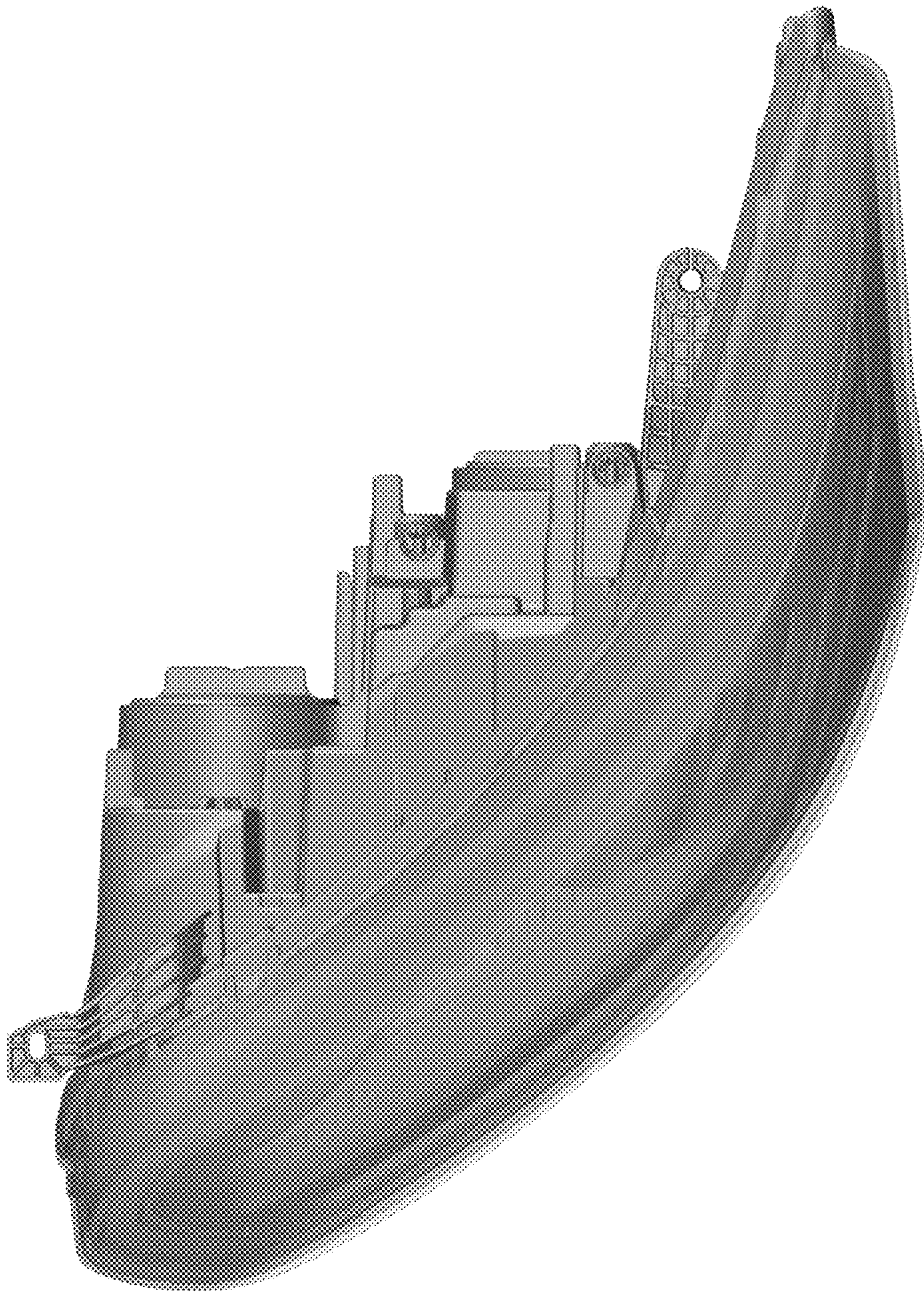


Fig. 5

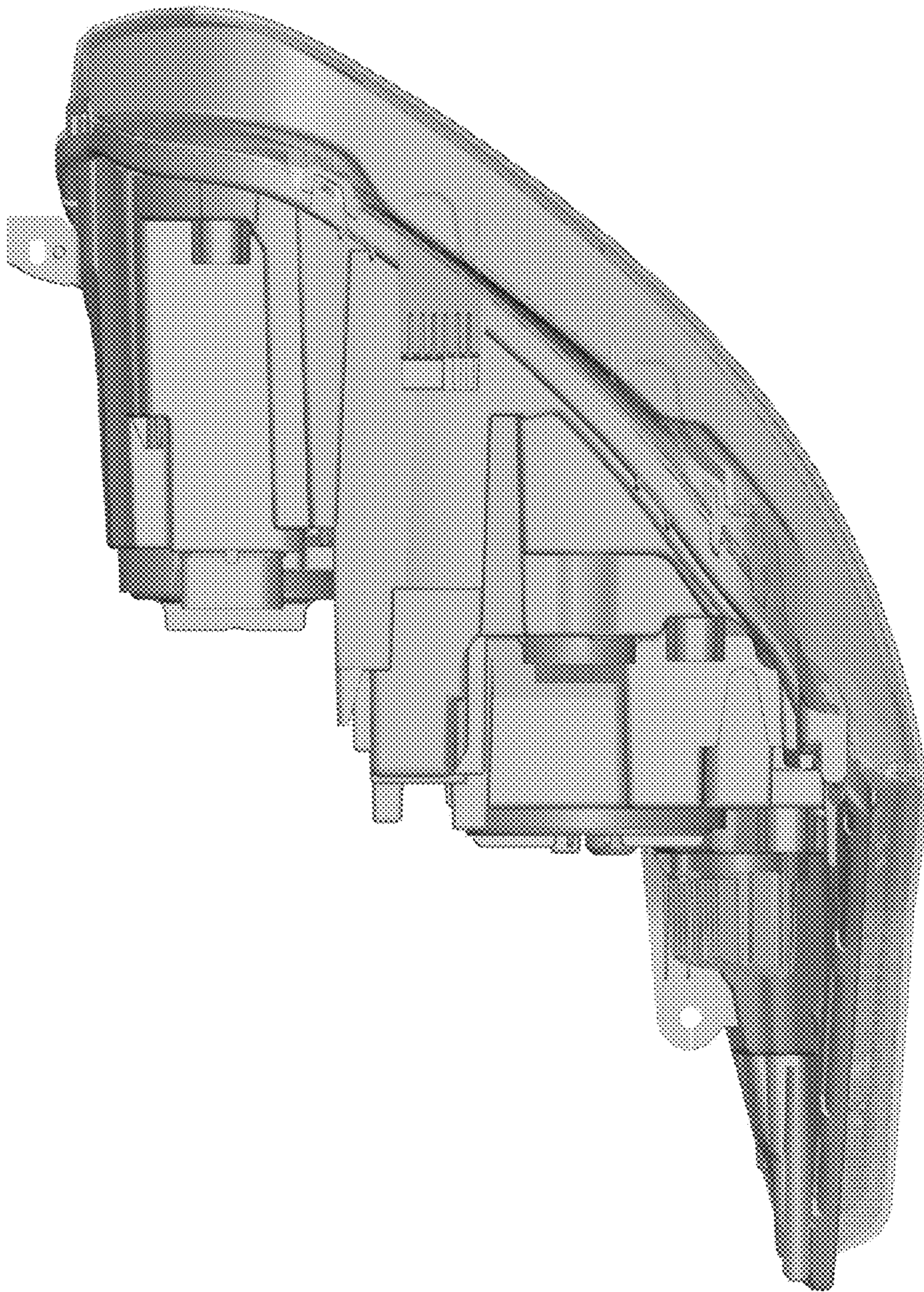


Fig. 6



Fig. 7

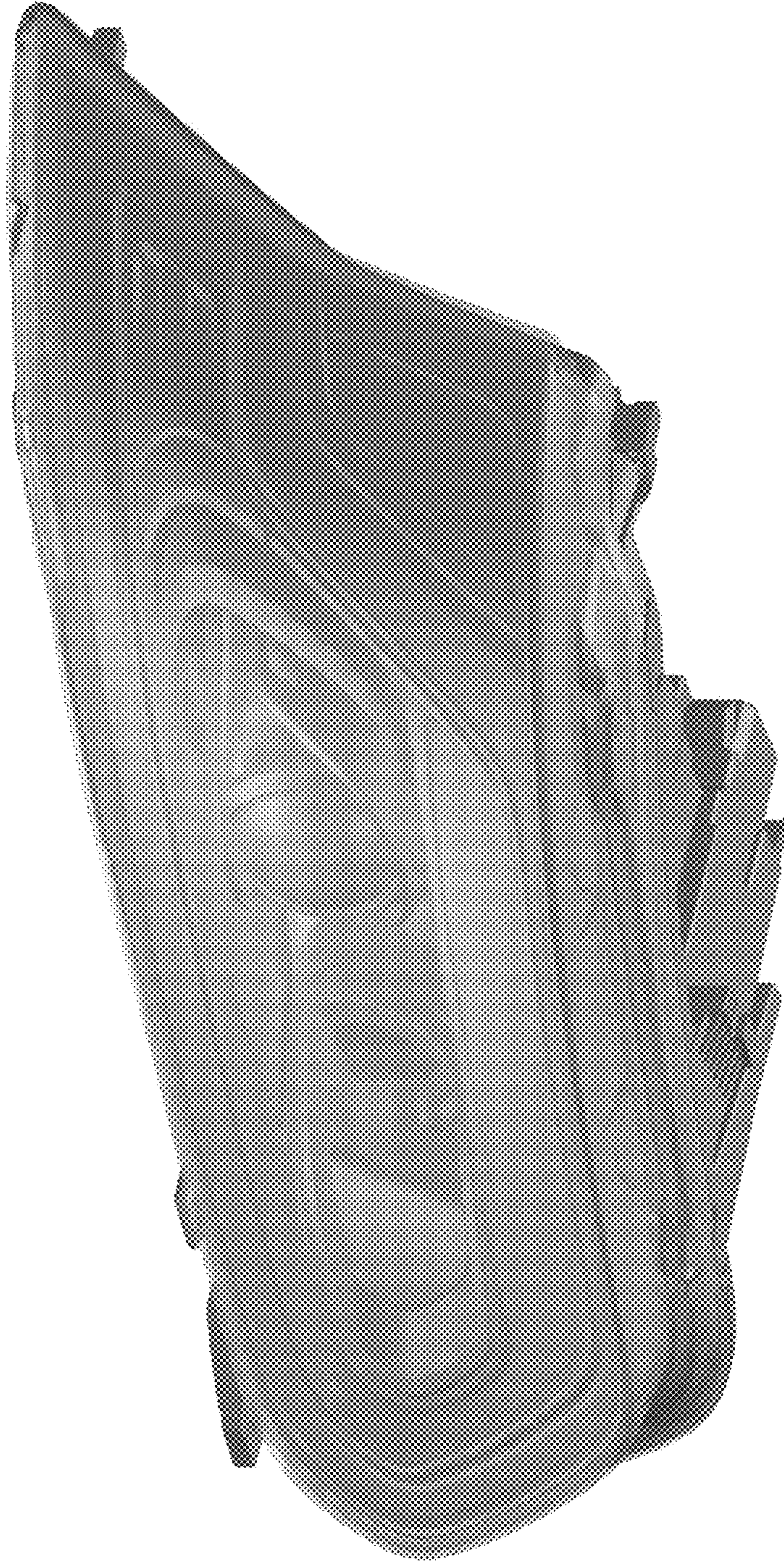


Fig. 8