



US00D890374S

(12) **United States Design Patent**
Chen

(10) **Patent No.:** **US D890,374 S**

(45) **Date of Patent:** **** Jul. 14, 2020**

(54) **BRAKE LIGHT**

(71) Applicant: **Jacky Chen**, City of Industry, CA (US)

(72) Inventor: **Jacky Chen**, City of Industry, CA (US)

(**) Term: **15 Years**

(21) Appl. No.: **29/679,223**

(22) Filed: **Feb. 4, 2019**

(51) **LOC (12) Cl.** **26-06**

(52) **U.S. Cl.**
USPC **D26/28**

(58) **Field of Classification Search**
USPC D26/28-36; 362/459-468, 475-478,
362/485-487
CPC F21S 48/00; F21S 48/10; F21S 48/115;
F21S 48/225; F21S 48/1233; F21S
48/1266; F21S 48/1388; F21S 48/2268;
F21V 21/04
See application file for complete search history.

(56) **References Cited**

U.S. PATENT DOCUMENTS

D507,670 S *	7/2005	Huang	D26/28
D541,448 S *	4/2007	Rogers	D26/28
D561,360 S *	2/2008	Wang	D26/28
D567,412 S *	4/2008	Hsu	D26/28
D568,502 S *	5/2008	Kudo	D26/28
D570,010 S *	5/2008	Hsu	D26/28

D573,282 S *	7/2008	Hsu	D26/28
D578,681 S *	10/2008	Huang	D26/28
D630,354 S *	1/2011	Stephens	D26/28
D709,221 S *	7/2014	Tsai	D26/28
D733,946 S *	7/2015	Chen	D26/28
D788,957 S *	6/2017	Hong	D26/28
D799,081 S *	10/2017	Lin	D26/28

* cited by examiner

Primary Examiner — Angela J Lee

(74) *Attorney, Agent, or Firm* — Che-Yang Chen; Law Office of Michael Chen

(57) **CLAIM**

The ornamental design for a brake light, as shown and described.

DESCRIPTION

FIG. 1 is a perspective view of the brake light showing my new design;

FIG. 2 is a front elevational view thereof;

FIG. 3 is a rear elevational view thereof;

FIG. 4 is a left side elevational view thereof;

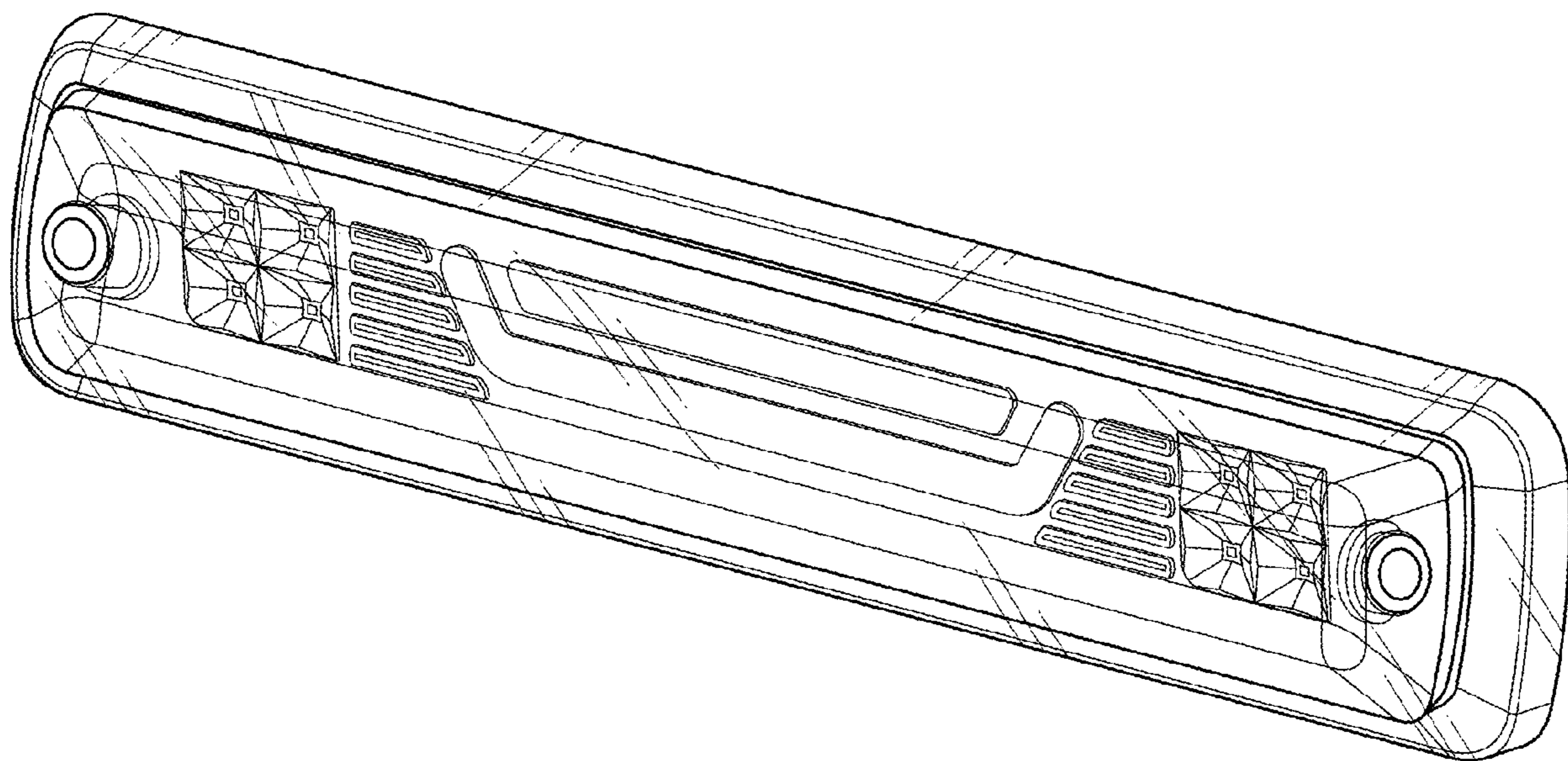
FIG. 5 is a right side elevational view thereof;

FIG. 6 is a top plan view thereof; and,

FIG. 7 is a bottom plan view thereof.

The broken lines shown in the drawings represent portions of the brake light that form no part of the claimed design.

1 Claim, 3 Drawing Sheets



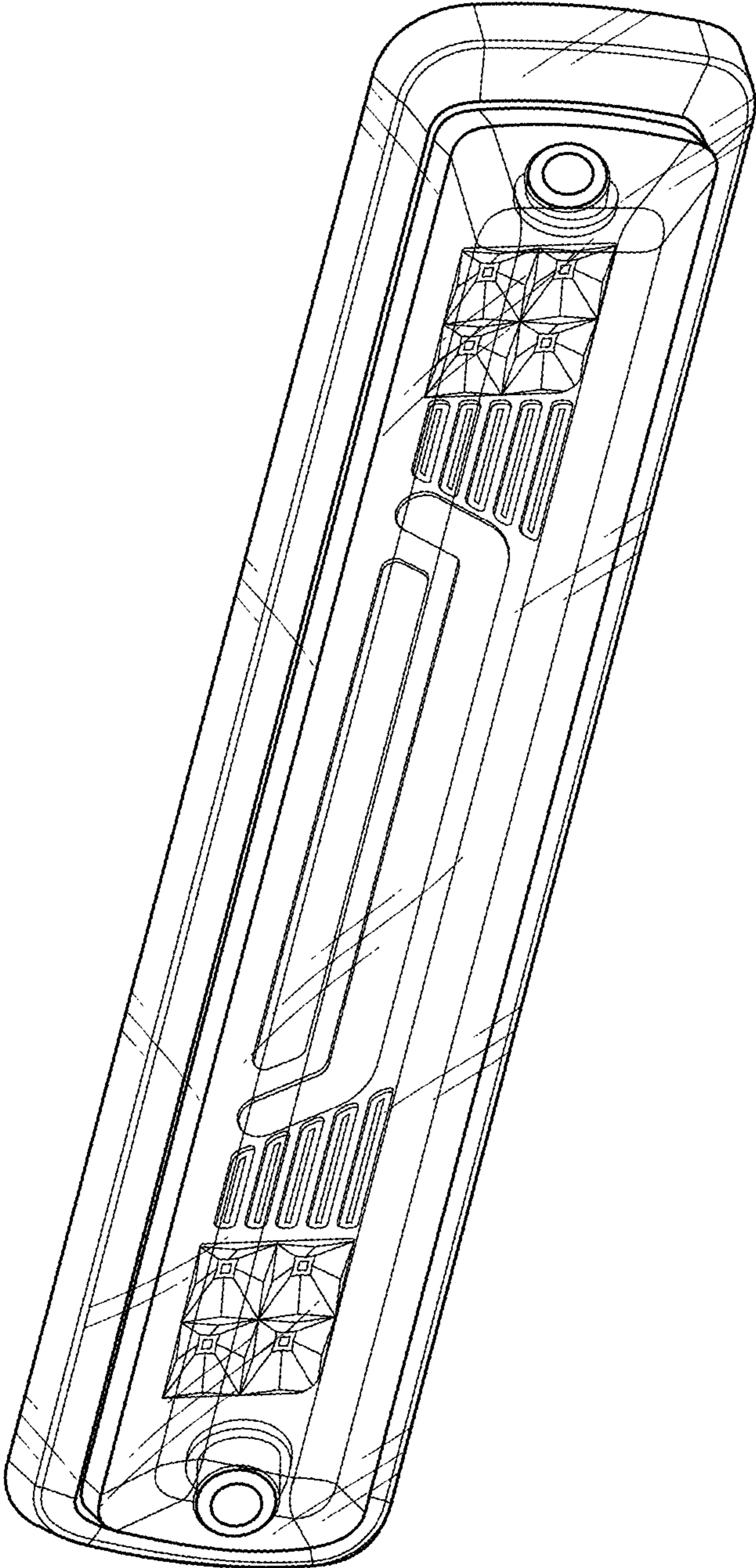


FIG. 1

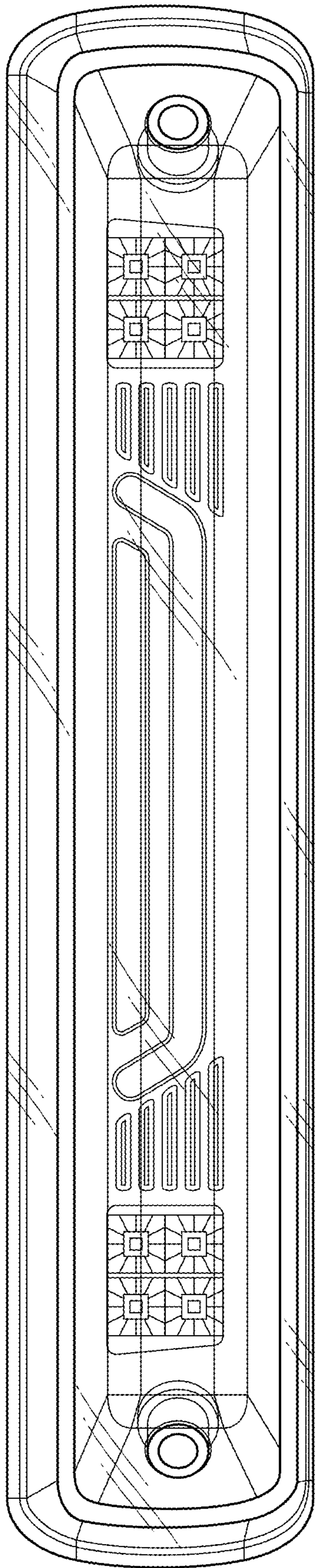


FIG. 2

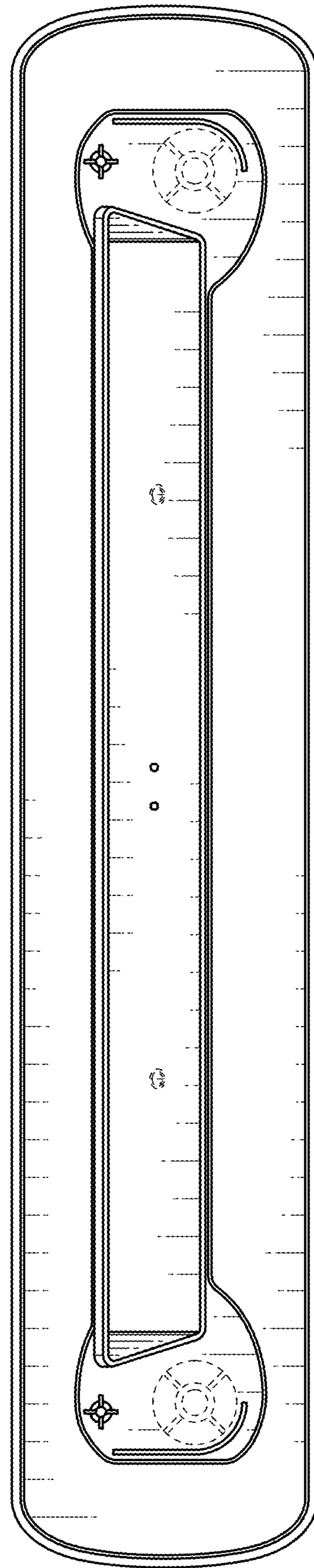


FIG. 3

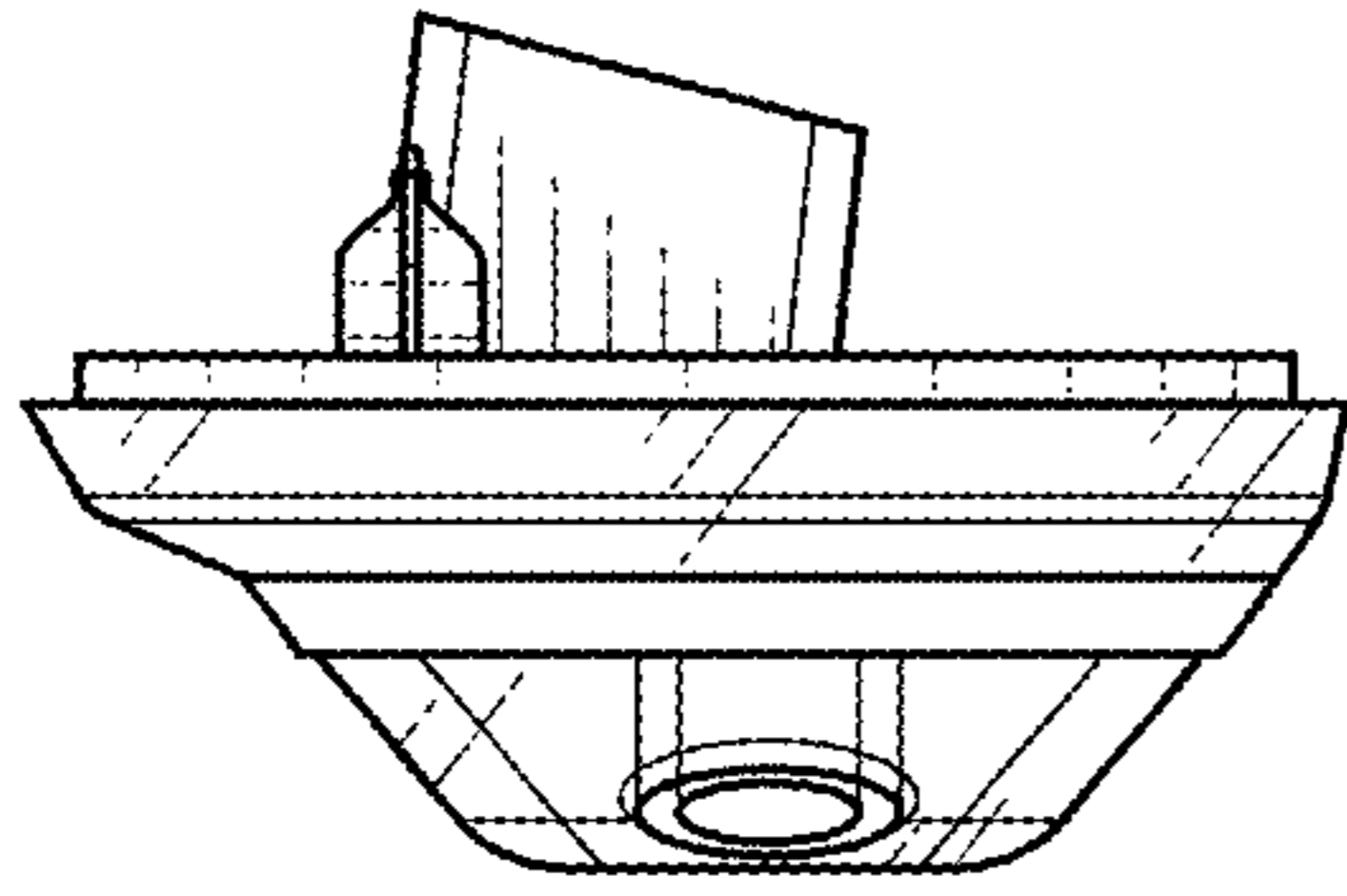


FIG. 5

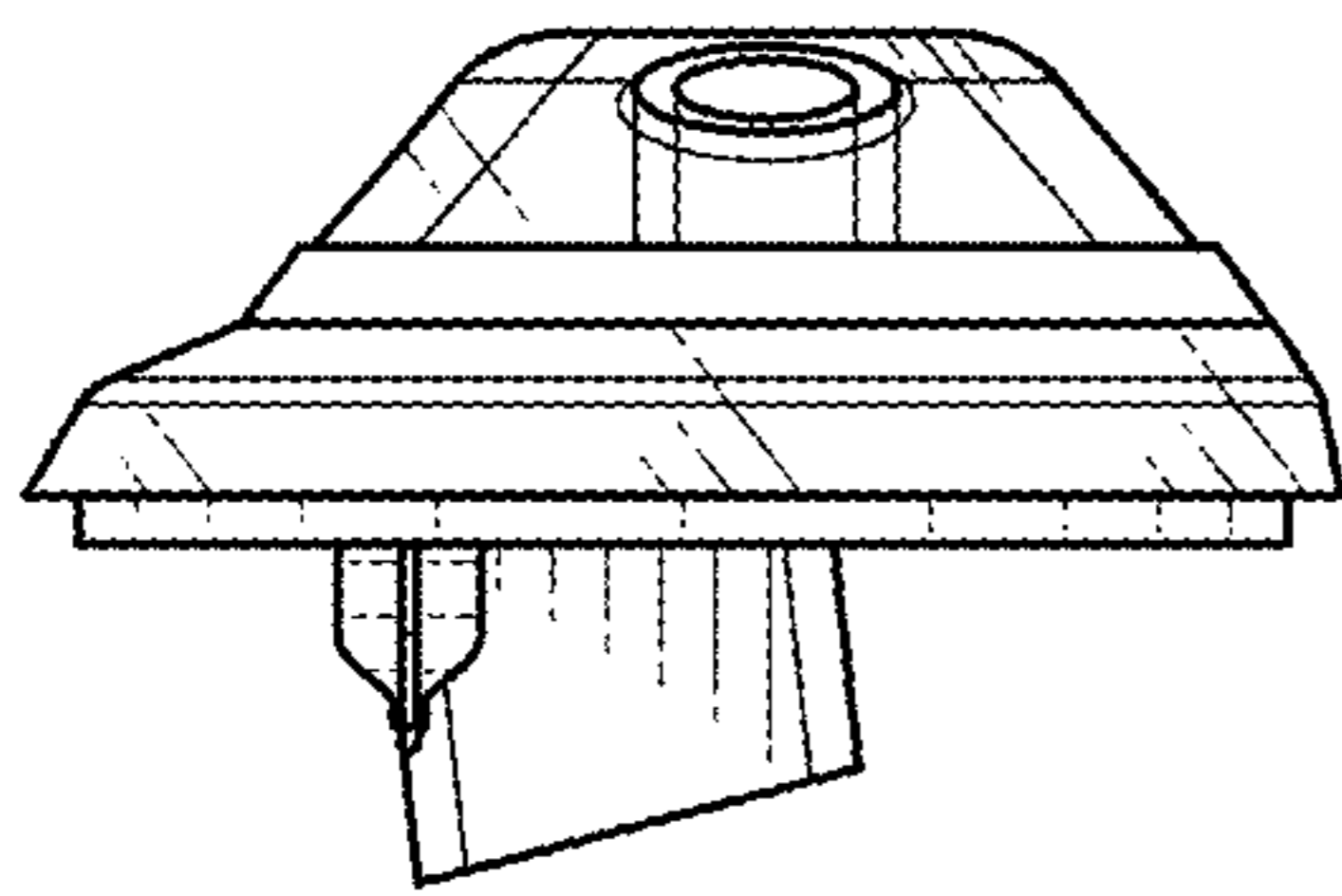


FIG. 4

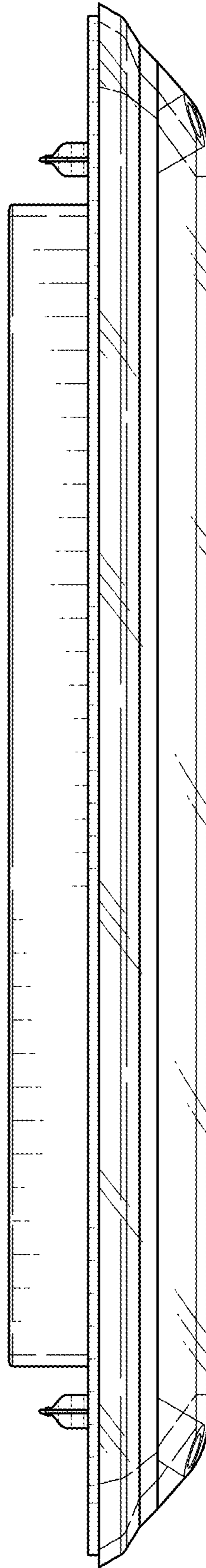


FIG. 6

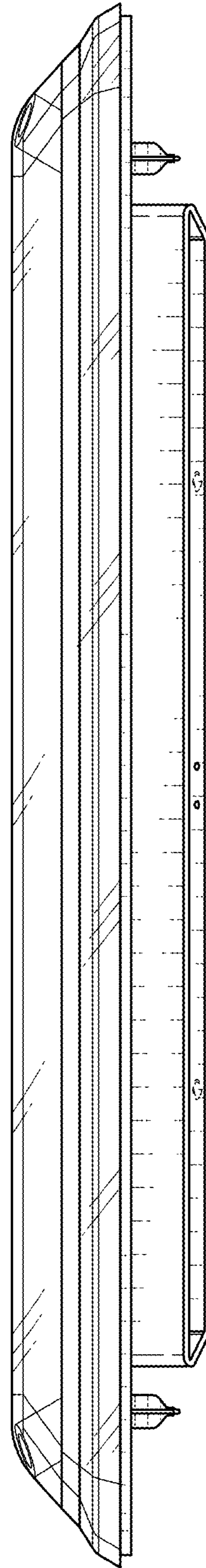


FIG. 7