



US00D890372S

(12) **United States Design Patent**
Lan

(10) **Patent No.:** **US D890,372 S**

(45) **Date of Patent:** **** Jul. 14, 2020**

(54) **VEHICLE LAMP**

(71) Applicant: **Guangzhou OUGE Electronic Technology Co., Ltd., Guangzhou (CN)**

(72) Inventor: **Caijun Lan, Guangzhou (CN)**

(73) Assignee: **Guangzhou OUGE Electronic Technology Co., Ltd., Guangzhou (CN)**

(**) Term: **15 Years**

(21) Appl. No.: **29/661,924**

(22) Filed: **Aug. 31, 2018**

(51) **LOC (12) Cl.** **26-06**

(52) **U.S. Cl.**
USPC **D26/28**

(58) **Field of Classification Search**
USPC D26/28-36, 139
CPC F21S 48/00; F21S 48/10; F21S 48/115;
F21S 48/225; F21S 48/1233; F21S
48/1266; F21S 48/1388; F21S 48/2268;
F21V 21/04; F21V 29/004; B60Q 9/13;
B60Q 9/135; B60Q 9/1375
See application file for complete search history.

(56) **References Cited**

U.S. PATENT DOCUMENTS

D710,042 S * 7/2014 Georgitsis D26/28
D713,570 S * 9/2014 Yoshida D26/28

D765,288 S * 8/2016 Ueda D26/28
D769,490 S * 10/2016 Ma D26/28
D772,446 S * 11/2016 Largent D26/28
D777,961 S * 1/2017 Wu D26/28
D825,085 S * 8/2018 Jian D26/28
D841,205 S * 2/2019 Dai D26/28
D846,775 S * 4/2019 Yan D26/28

* cited by examiner

Primary Examiner — Marcus A Jackson

(74) *Attorney, Agent, or Firm* — NZ Carr Law Office
LLP

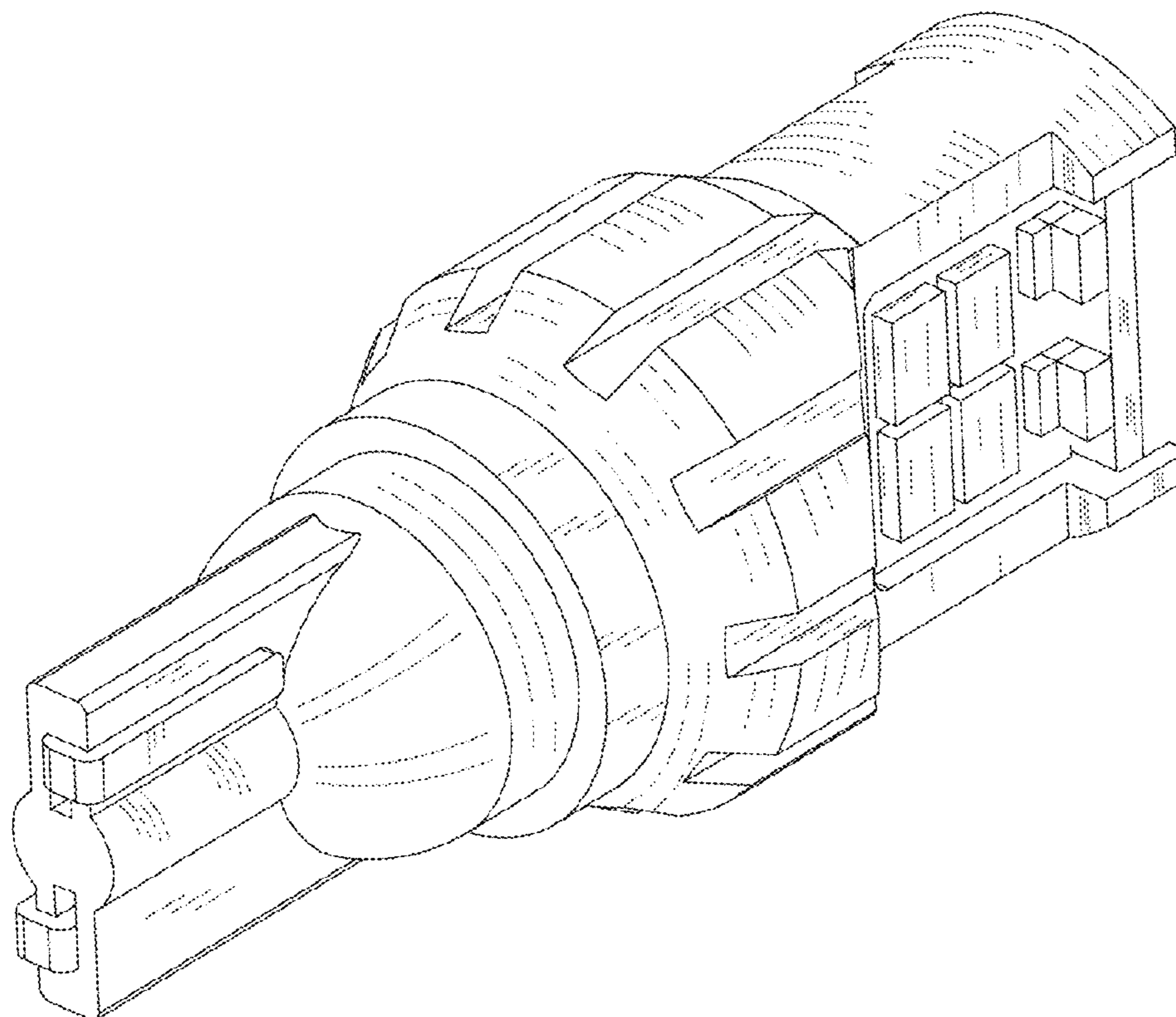
(57) **CLAIM**

The ornamental design for vehicle lamp, as shown and described.

DESCRIPTION

FIG. 1 is a top right perspective view showing vehicle lamp, showing my new design;
FIG. 2 is a front elevation view thereof;
FIG. 3 is a rear elevation view thereof;
FIG. 4 is a top plan view thereof;
FIG. 5 is a bottom plan view thereof;
FIG. 6 is a side view thereof; and,
FIG. 7 is an opposite side view thereof.

1 Claim, 7 Drawing Sheets



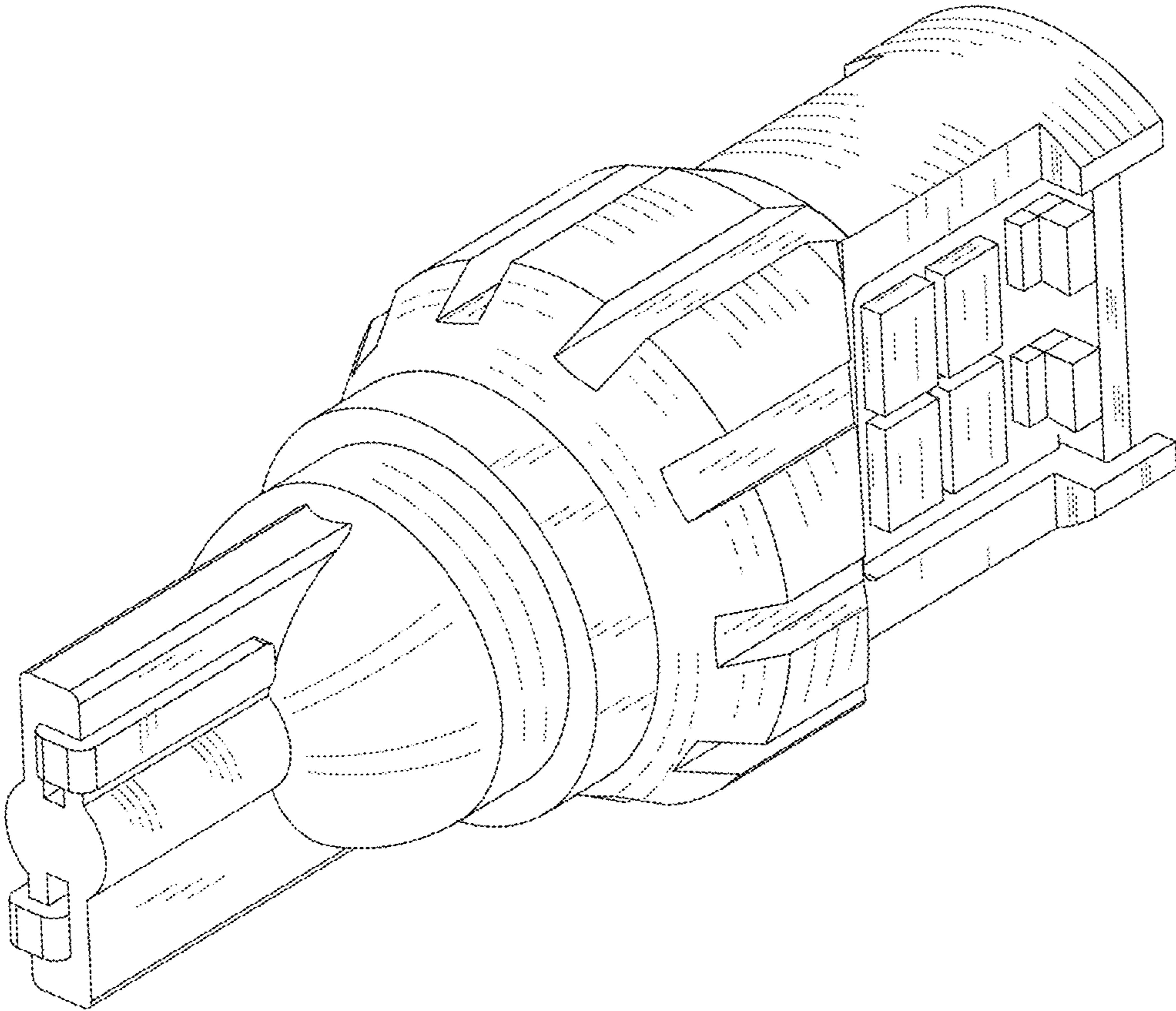


Fig. 1

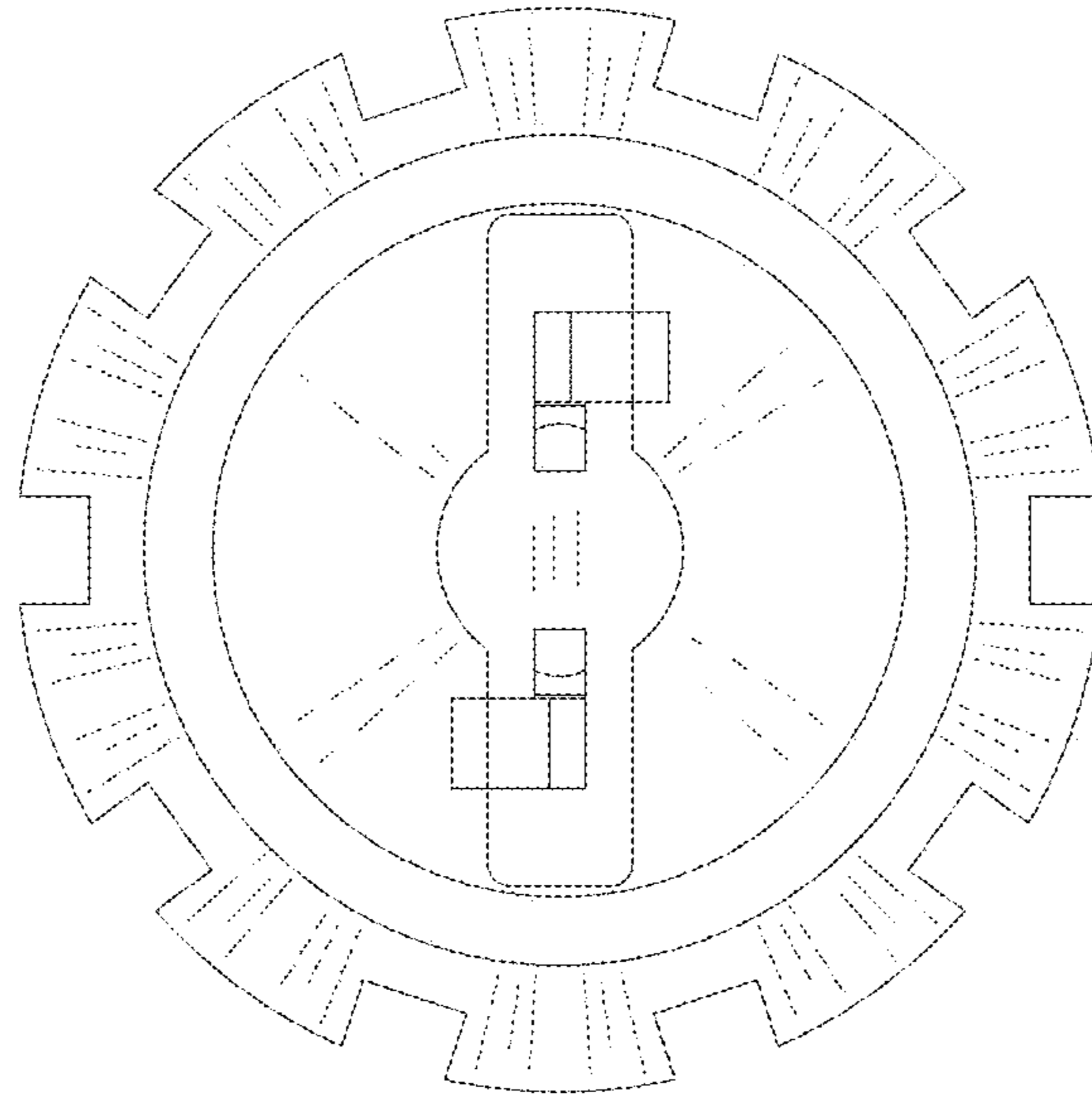


Fig. 2

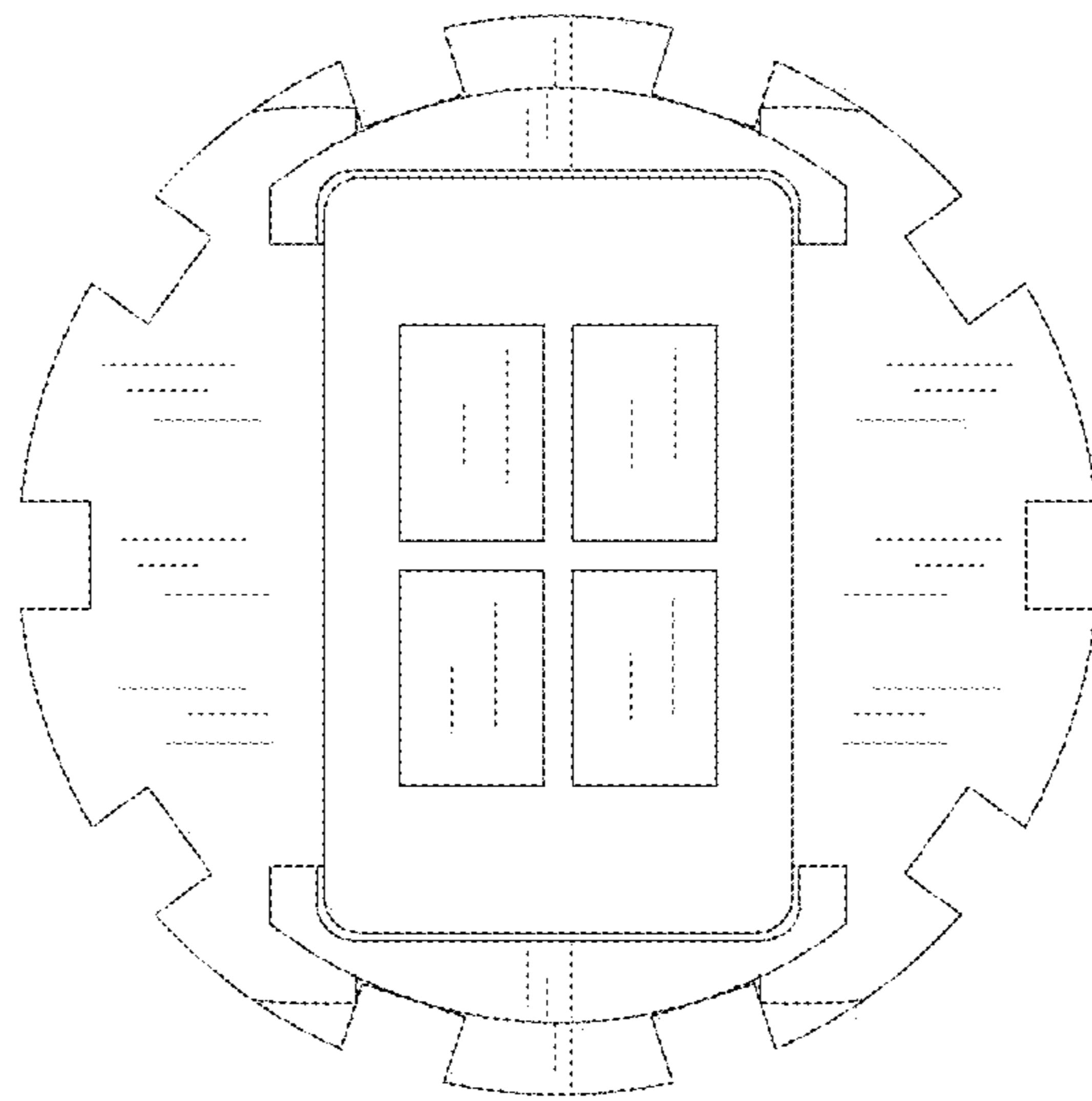


Fig. 3

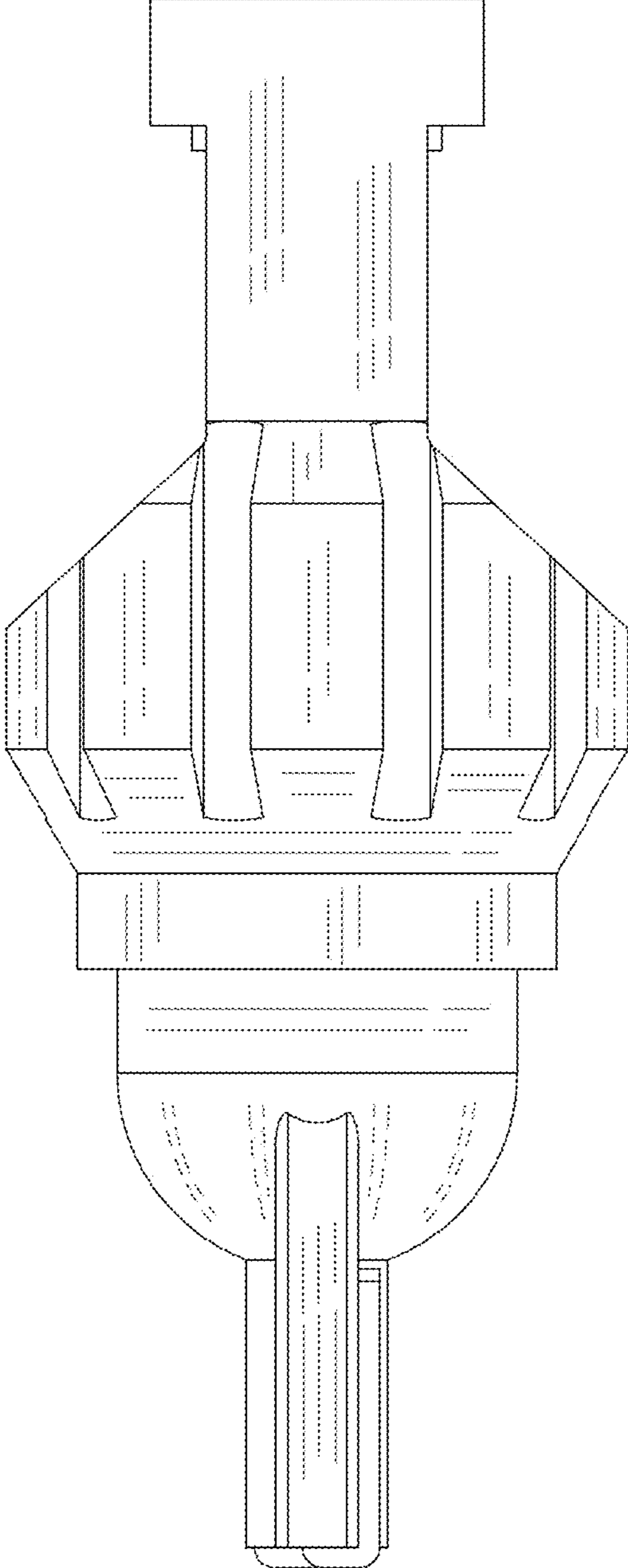


Fig. 4

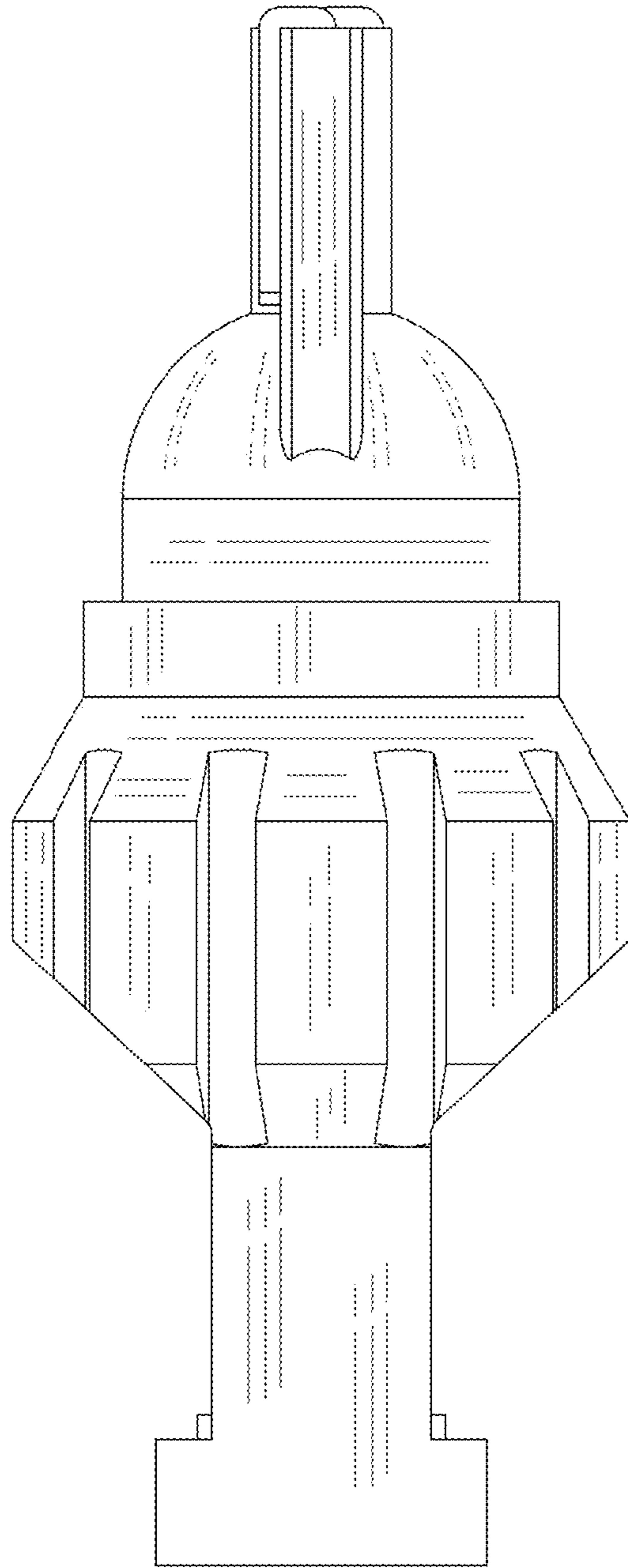


Fig. 5

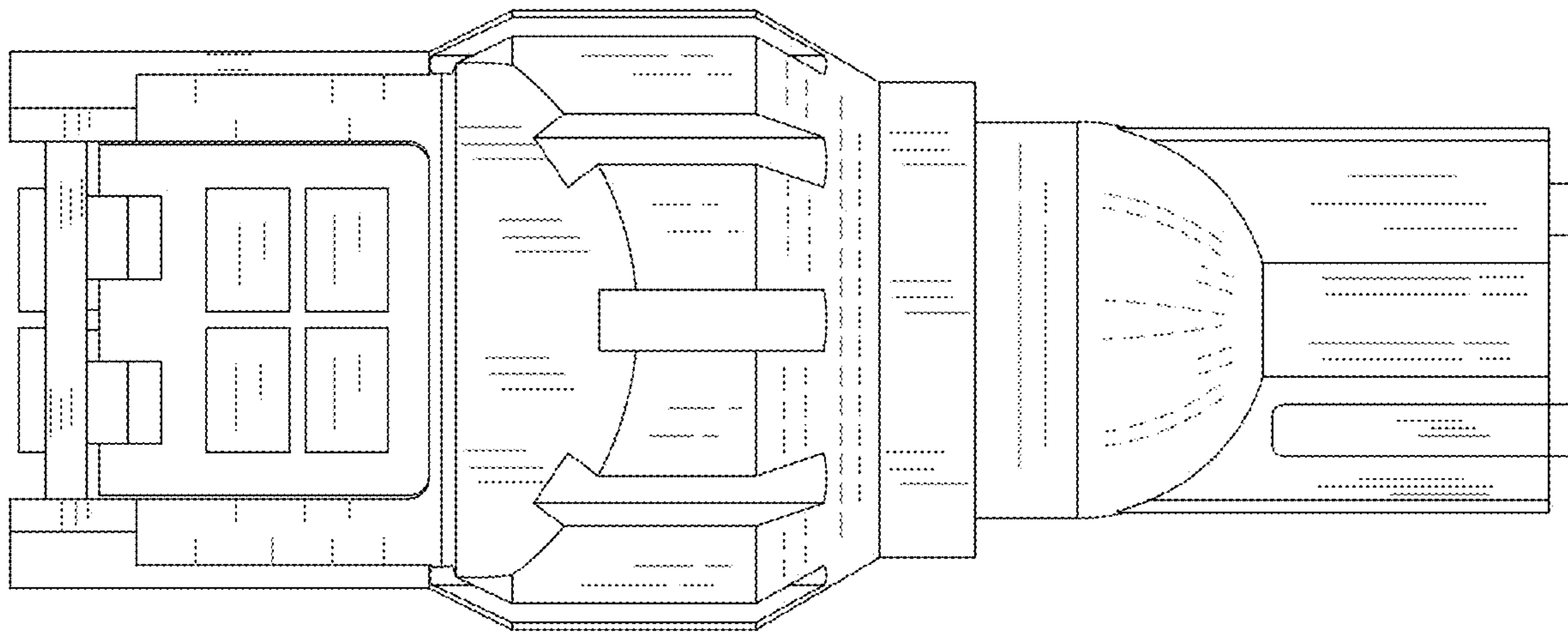


Fig. 6

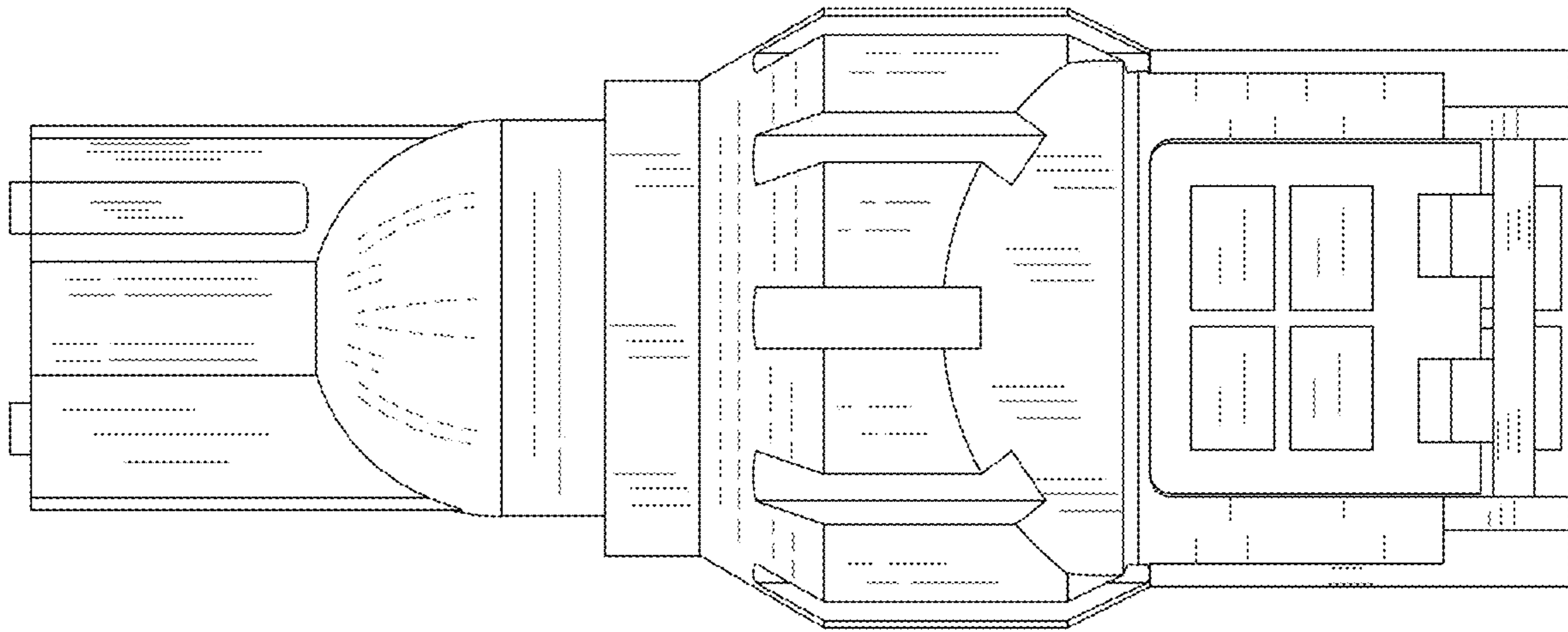


Fig. 7