



US00D890371S

(12) **United States Design Patent**  
**Goodrich et al.**

(10) **Patent No.:** **US D890,371 S**  
(45) **Date of Patent:** **\*\* Jul. 14, 2020**

(54) **VEHICLE SIDE LIGHT INSERT**

(71) Applicants: **Stephen Goodrich**, Clawson, MI (US);  
**Brian H. Nielander**, Royal Oak, MI  
(US); **Mark T. Allen**, Oxford, MI (US)

(72) Inventors: **Stephen Goodrich**, Clawson, MI (US);  
**Brian H. Nielander**, Royal Oak, MI  
(US); **Mark T. Allen**, Oxford, MI (US)

(73) Assignee: **FCA US LLC**, Auburn Hills, MI (US)

(\*\*) Term: **15 Years**

(21) Appl. No.: **29/661,899**

(22) Filed: **Aug. 31, 2018**

**Related U.S. Application Data**

(63) Continuation-in-part of application No. 29/616,449,  
filed on Sep. 6, 2017, now Pat. No. Des. 840,271.

(51) **LOC (12) Cl.** ..... **28-06**

(52) **U.S. Cl.**  
USPC ..... **D26/28**

(58) **Field of Classification Search**  
USPC ..... D26/28-36, 139  
CPC ..... F21S 48/10; F21S 48/00; F21S 48/115;  
F21S 48/225; F21S 48/1233; F21S  
48/1266; F21S 48/1388; F21S 48/2268;  
F21V 21/04; F21V 29/004; B60Q 9/13;  
B60Q 9/135; B60Q 9/1375

See application file for complete search history.

(56) **References Cited**

U.S. PATENT DOCUMENTS

D538,956 S *	3/2007	Ishii .....	D26/28
D544,614 S *	6/2007	Markefka .....	D26/28
D561,357 S *	2/2008	Leclercq .....	D26/28
D570,007 S *	5/2008	Hsu .....	D26/28
D694,443 S *	11/2013	Mackay .....	D26/28

\* cited by examiner

*Primary Examiner* — Marcus A Jackson

(74) *Attorney, Agent, or Firm* — Ralph E. Smith

(57) **CLAIM**

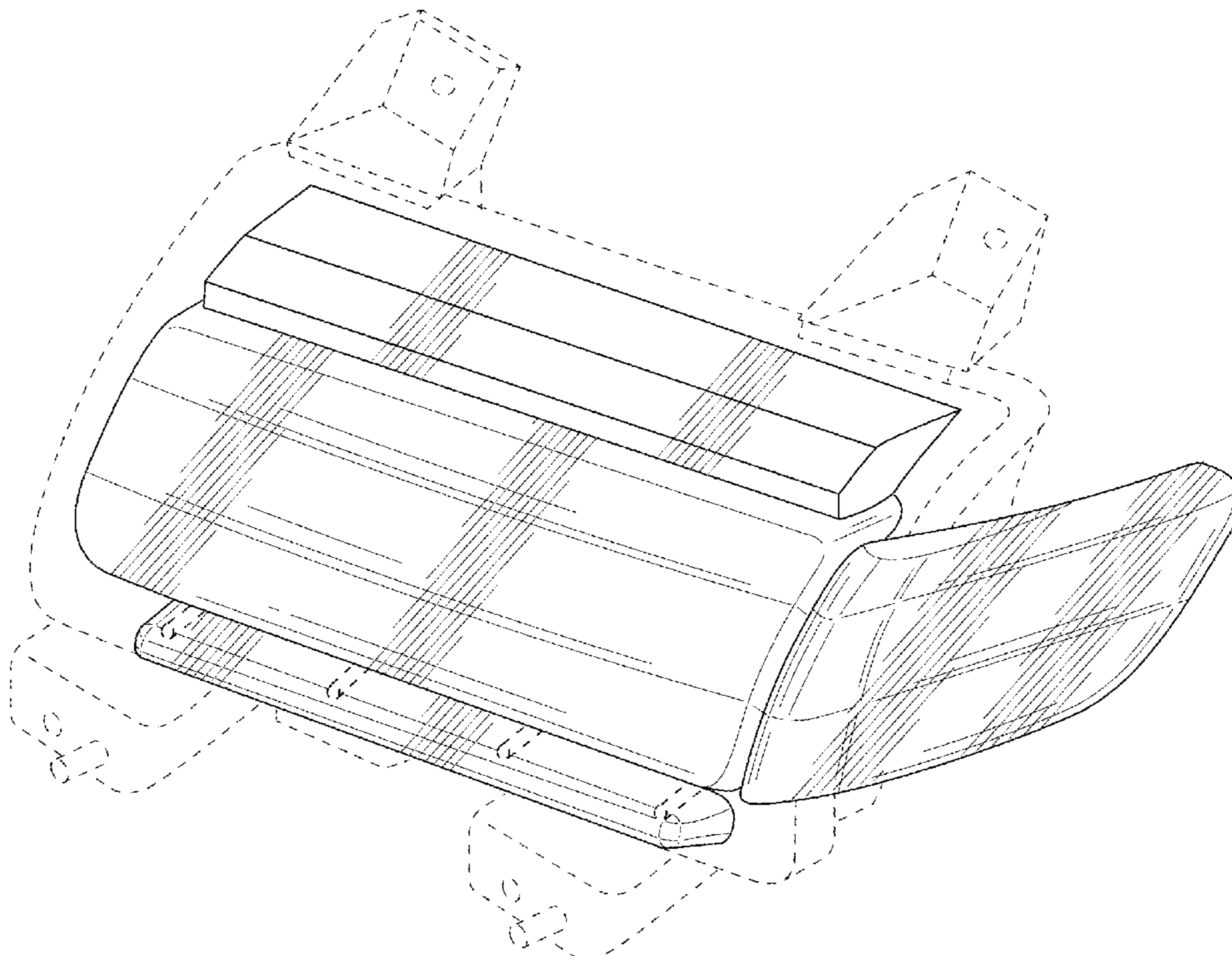
The ornamental design for a vehicle side light insert, as shown and described.

**DESCRIPTION**

FIG. 1 is a front perspective view of a vehicle side light insert showing our new design;  
FIG. 2 is a front view thereof;  
FIG. 3 is a rear view thereof;  
FIG. 4 is a side view thereof;  
FIG. 5 is a top view thereof; and,  
FIG. 6 is a bottom view thereof.

It will be understood that the broken lines shown in the drawings illustrate portions of the vehicle side light insert that form no part of claimed design.

**1 Claim, 6 Drawing Sheets**



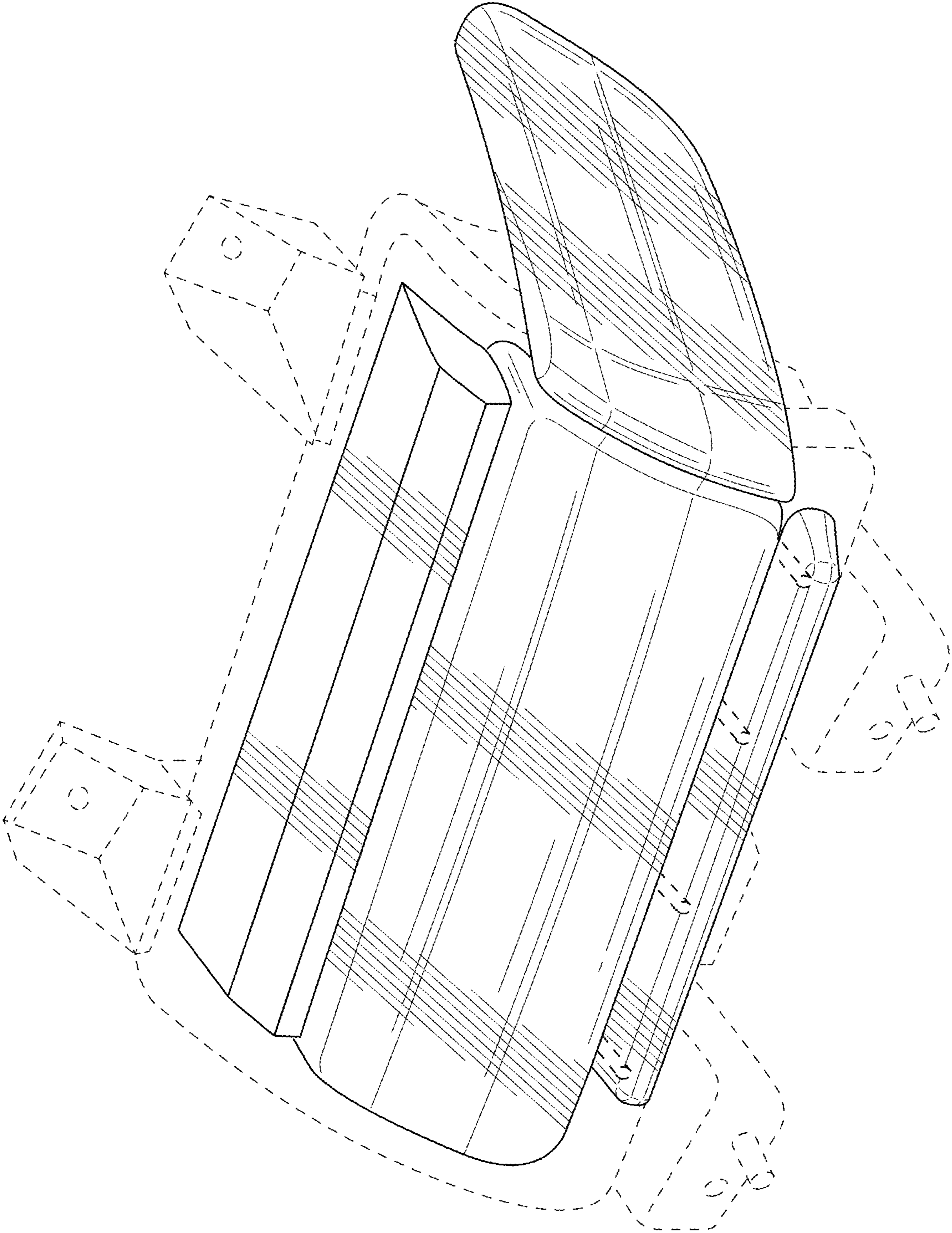


FIG. 1

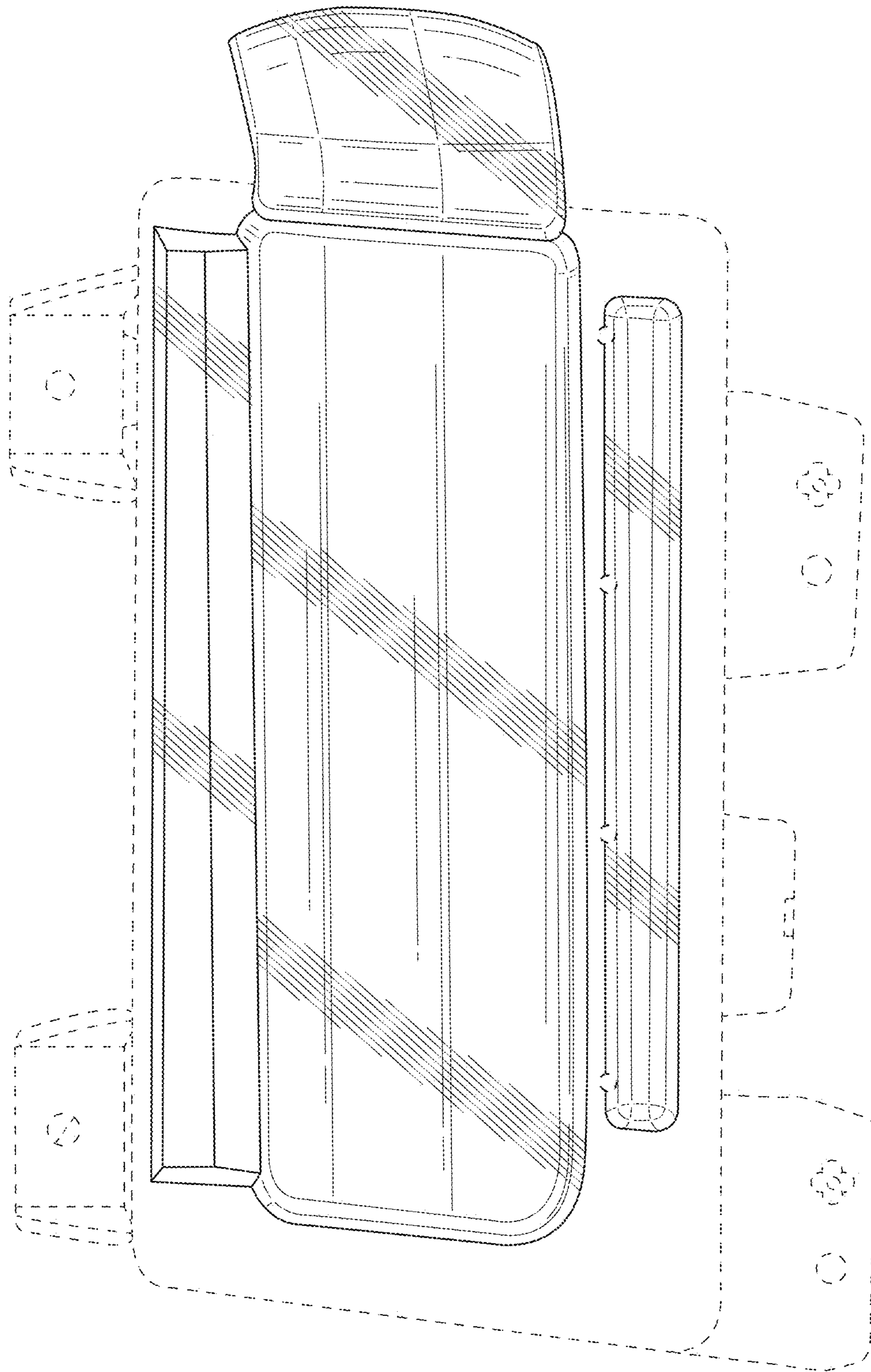


FIG. 2

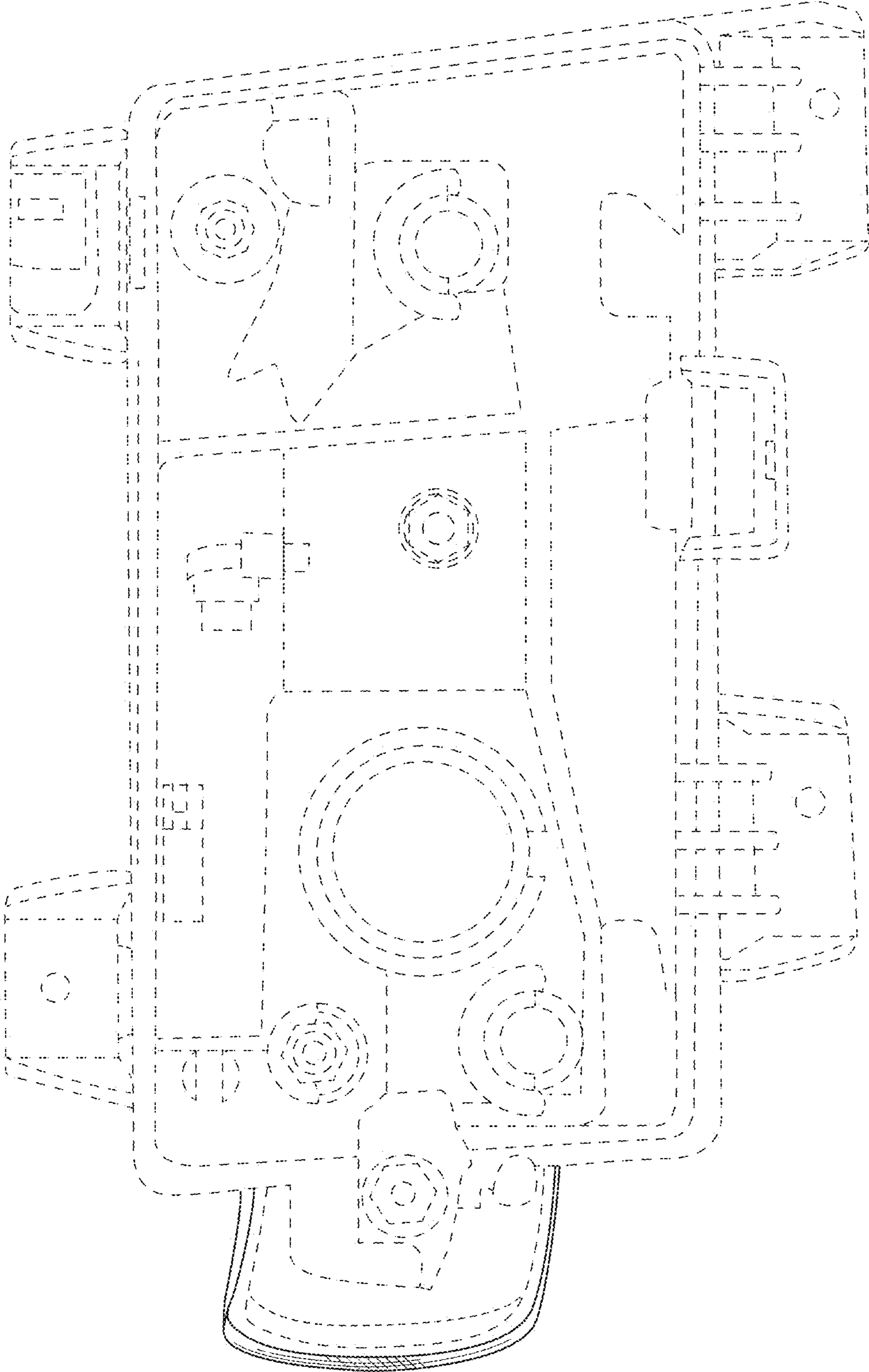


FIG. 3

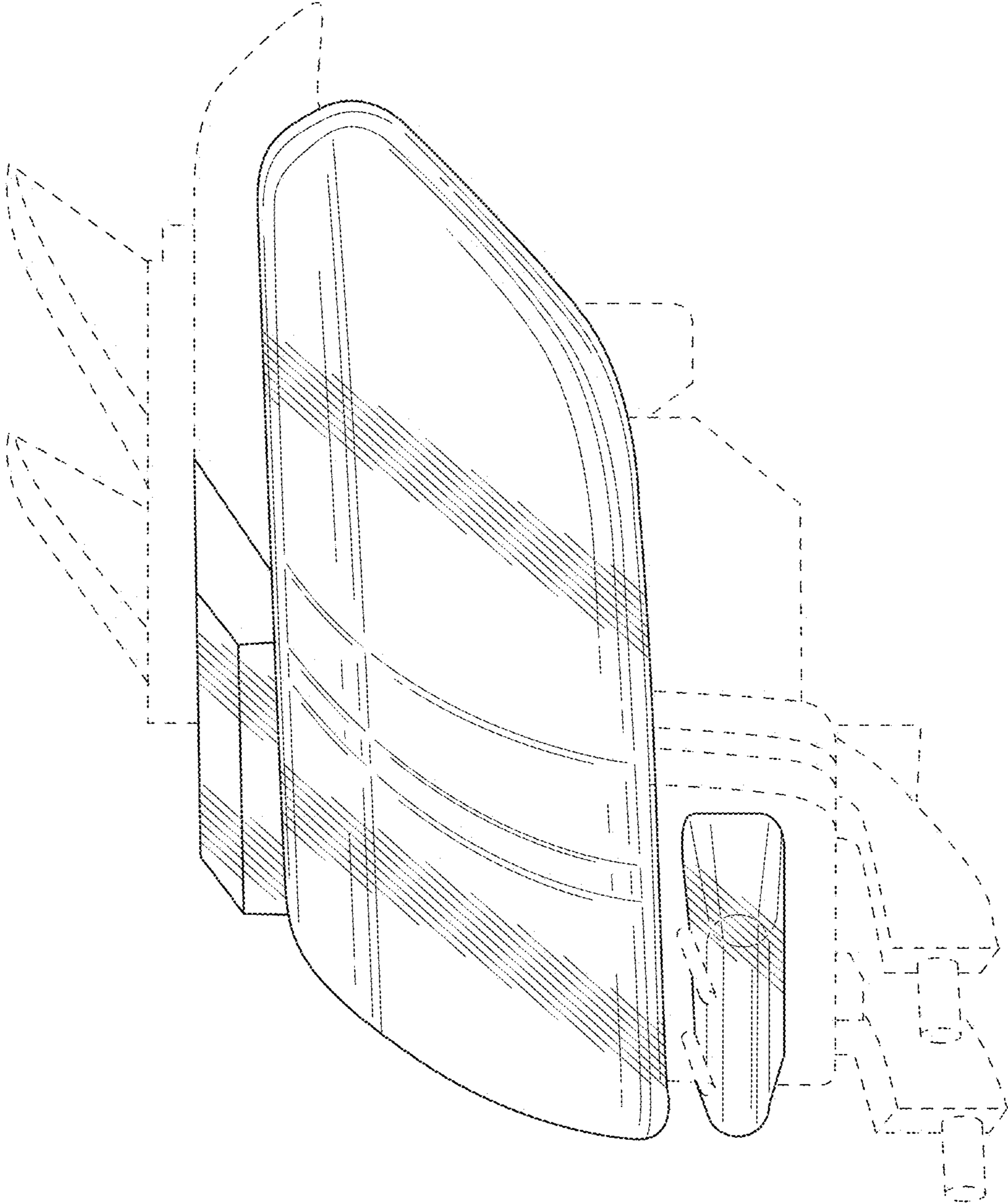


FIG. 4

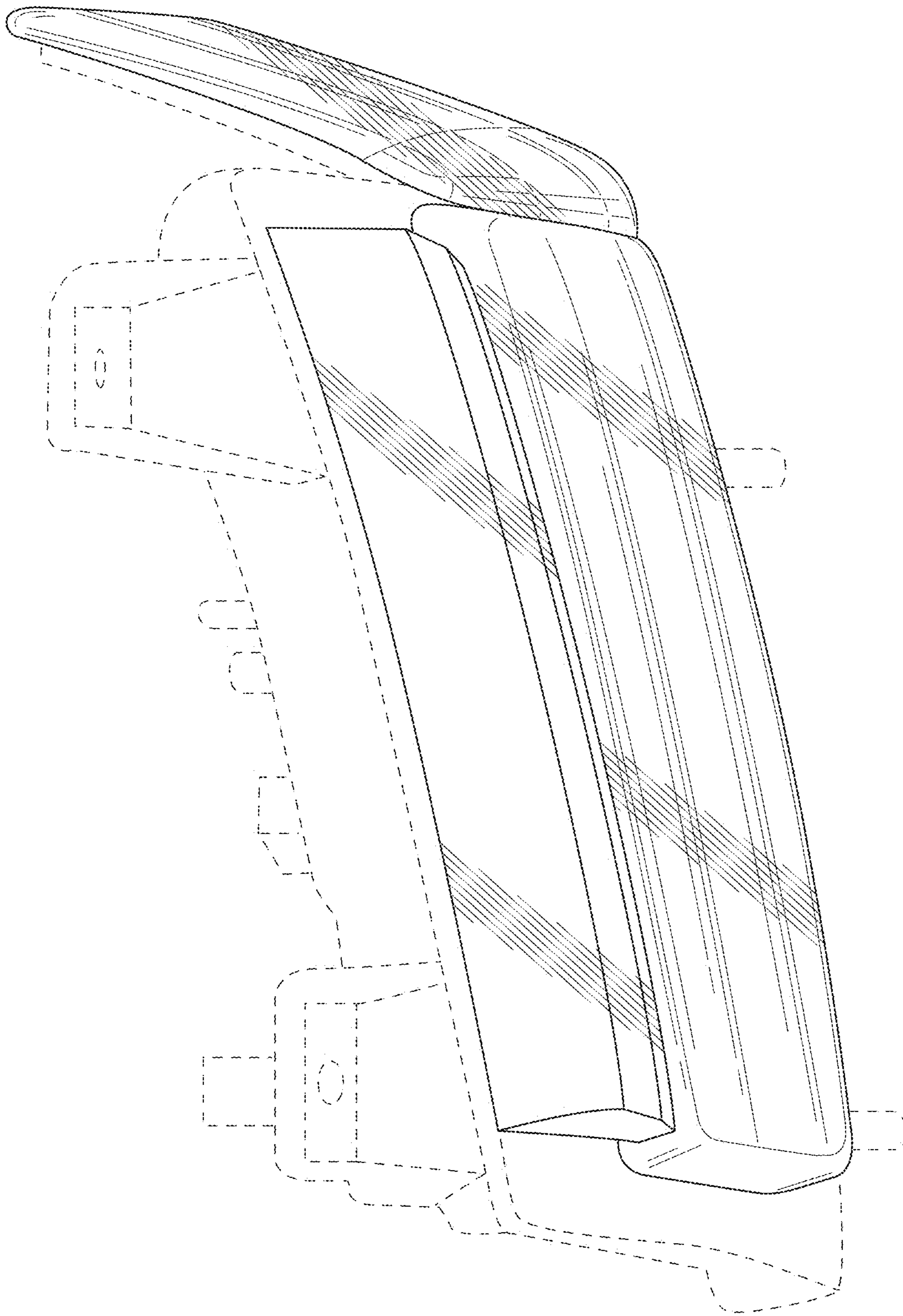


FIG. 5

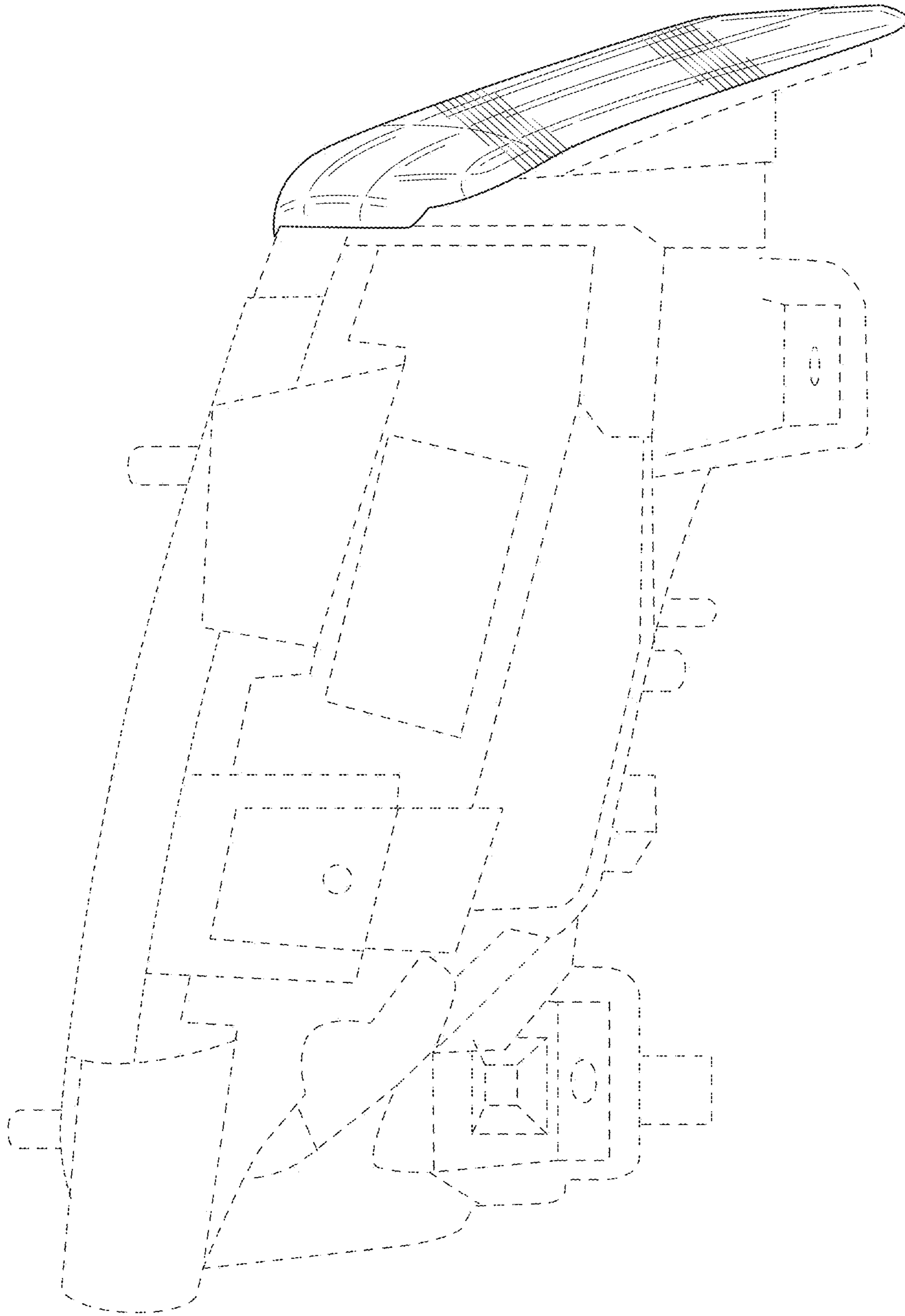


FIG. 6