



US00D890370S

(12) **United States Design Patent**
Pan

(10) **Patent No.:** **US D890,370 S**

(45) **Date of Patent:** **** Jul. 14, 2020**

(54) **LED LIGHT**

(71) Applicant: **Dianbo Pan**, Zhuhai (CN)

(72) Inventor: **Dianbo Pan**, Zhuhai (CN)

(**) Term: **15 Years**

(21) Appl. No.: **29/630,729**

(22) Filed: **Dec. 22, 2017**

(30) **Foreign Application Priority Data**

Jun. 22, 2017 (CN) 2017 3 0261292

(51) **LOC (12) Cl.** **26-06**

(52) **U.S. Cl.**
USPC **D26/28**

(58) **Field of Classification Search**
USPC D26/28-36, 139
CPC F21S 48/00; F21S 48/10; F21S 48/115;
F21S 48/225; F21S 48/1233; F21S
48/1266; F21S 48/1388; F21S 48/2268;
F21V 21/04; F21V 29/004; B60Q 9/13;
B60Q 9/135; B60Q 9/1375
See application file for complete search history.

(56) **References Cited**

U.S. PATENT DOCUMENTS

D720,483 S * 12/2014 Saddig D26/28
D722,398 S * 2/2015 Tewell D26/28

D740,984 S * 10/2015 Chen D26/28
D769,490 S * 10/2016 Ma D26/28
D777,961 S * 1/2017 Wu D26/28
D789,577 S * 6/2017 Xu D26/28
D789,578 S * 6/2017 Woodworth D26/28

* cited by examiner

Primary Examiner — Marcus A Jackson

(74) *Attorney, Agent, or Firm* — Dunlap Bennett & Ludwig PLLC

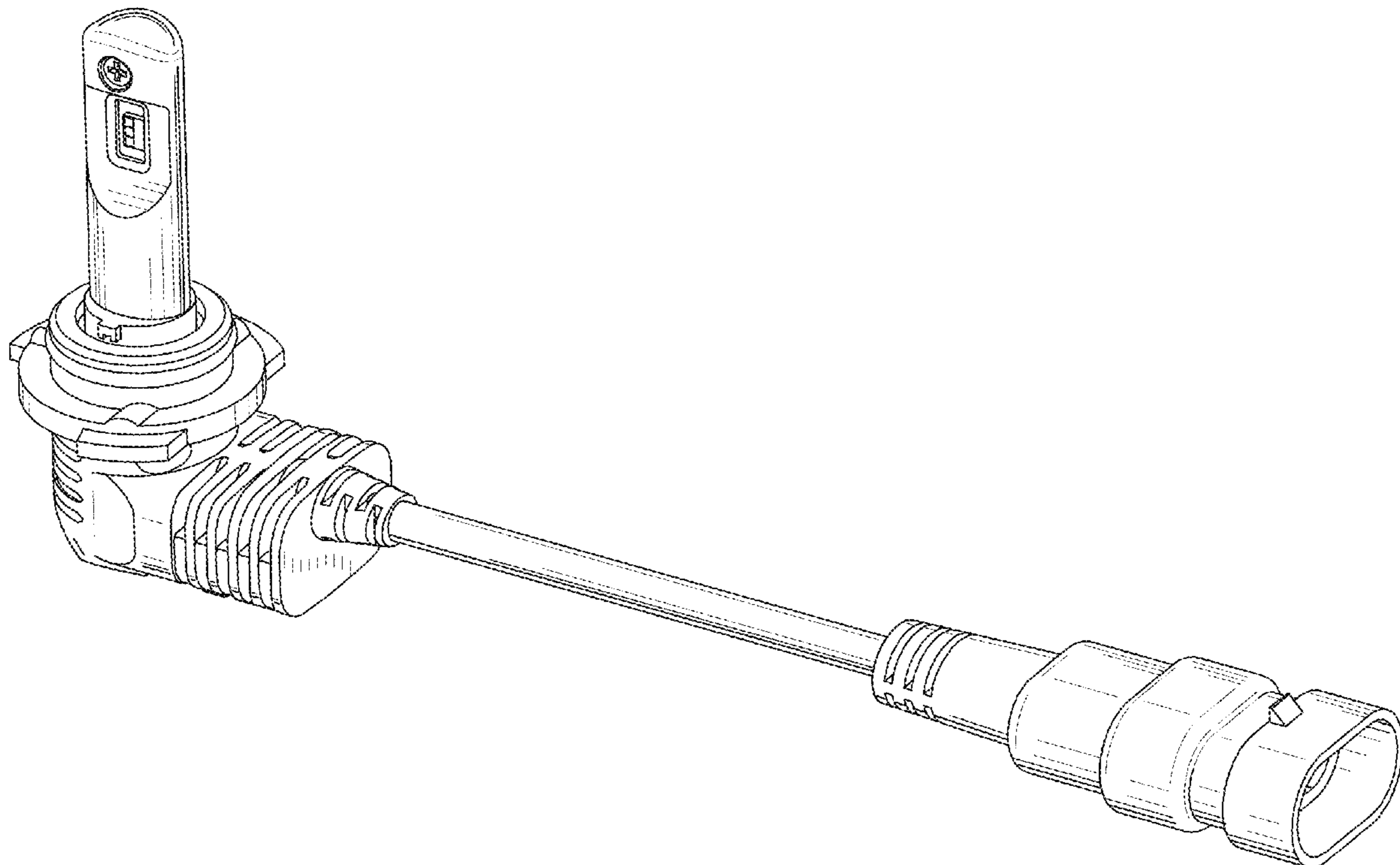
(57) **CLAIM**

The ornamental design for a LED light, as shown and described.

DESCRIPTION

FIG. 1 is a front perspective view of a first embodiment of a LED light, showing my new design;
FIG. 2 is a front elevation view thereof;
FIG. 3 is a right side elevation view thereof;
FIG. 4 is a left side elevation view thereof;
FIG. 5 is a rear elevation view thereof;
FIG. 6 is a top plan view thereof;
FIG. 7 is a bottom plan view thereof;
FIG. 8 is a front perspective view of a second embodiment of the LED light, showing my new design;
FIG. 9 is a front elevation view thereof;
FIG. 10 is a right side elevation view thereof;
FIG. 11 is a left side elevation view thereof;
FIG. 12 is a rear elevation view thereof;
FIG. 13 is a top plan view thereof; and,
FIG. 14 is a bottom plan view thereof.

1 Claim, 8 Drawing Sheets



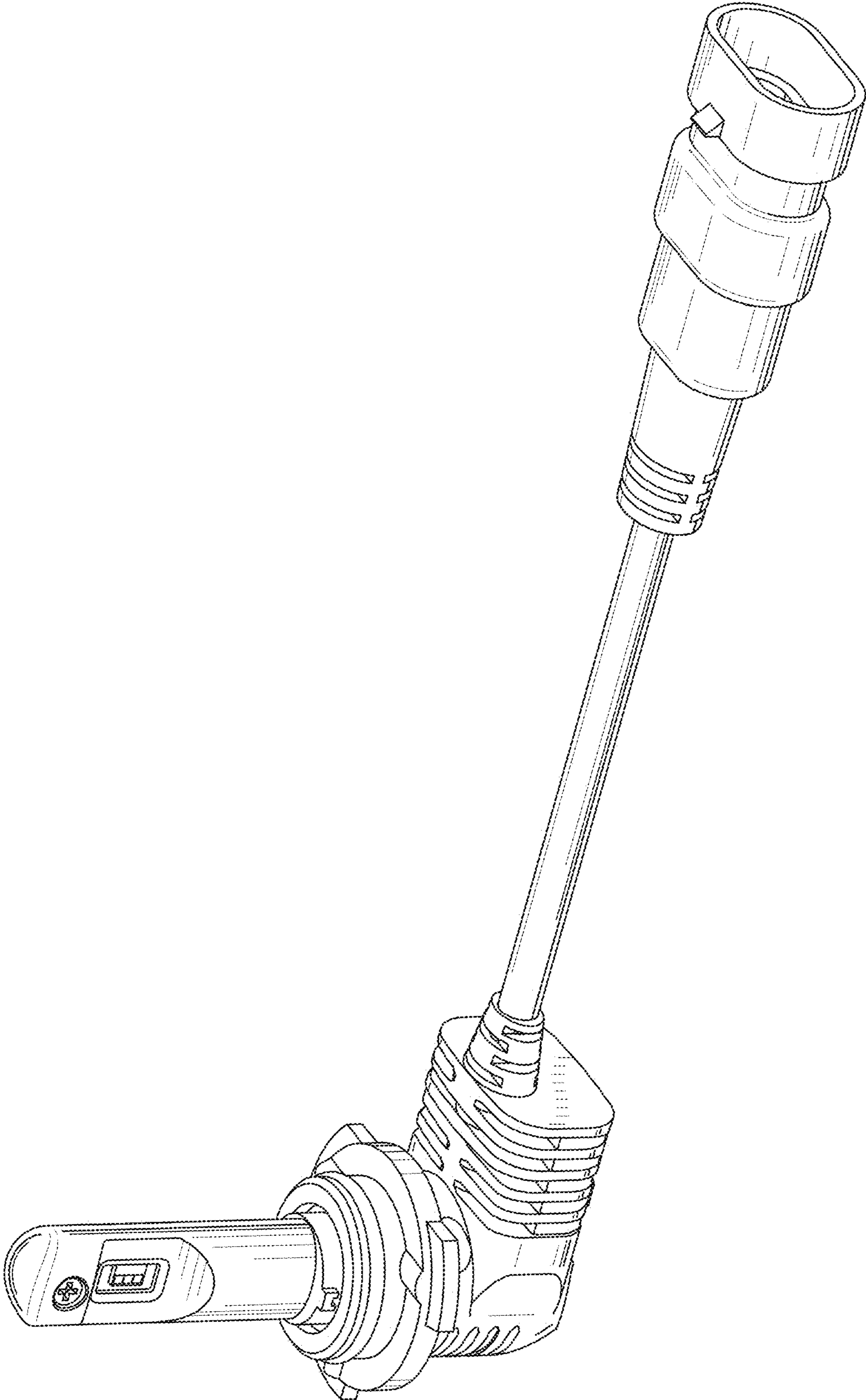


FIG. 1

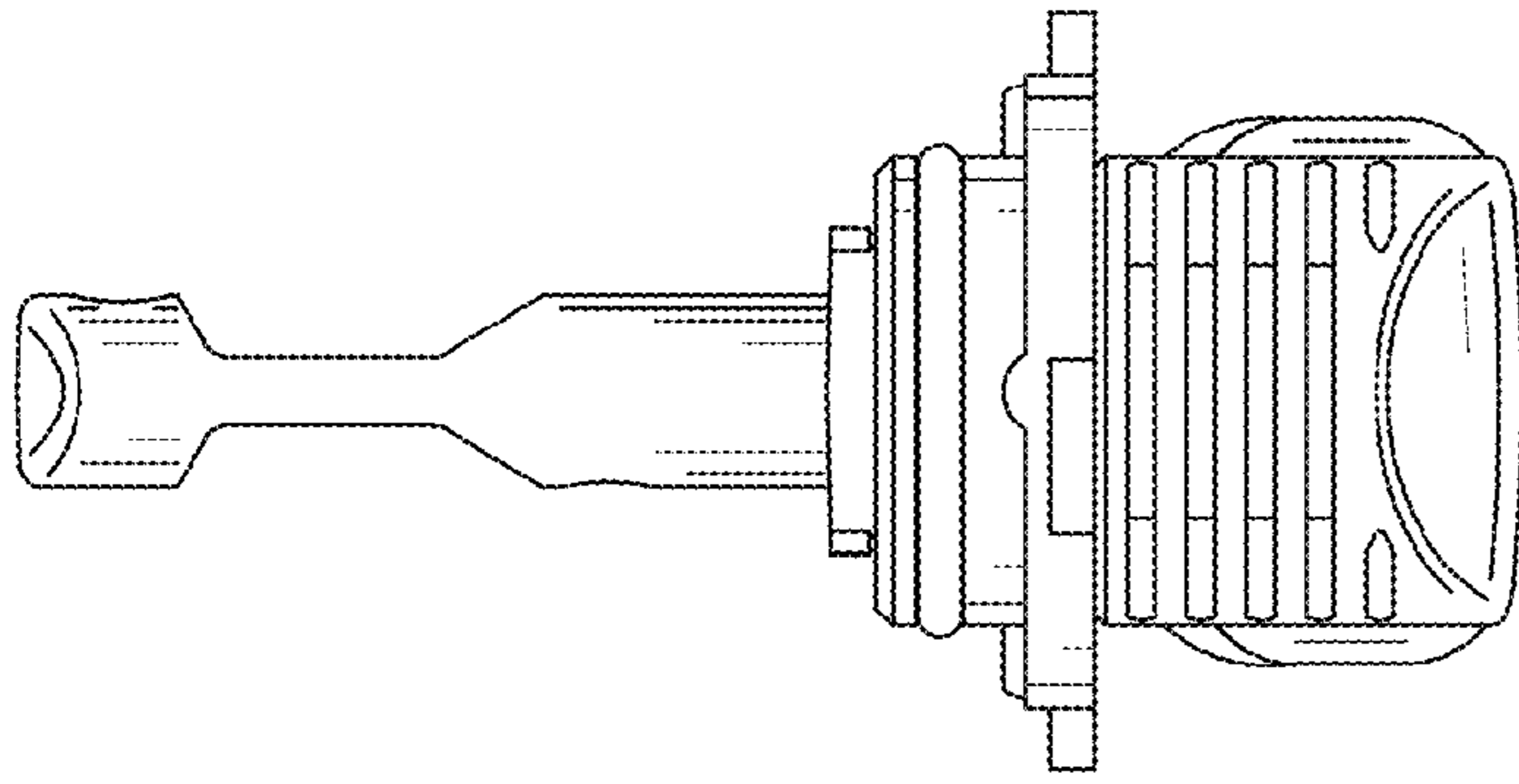


FIG. 4

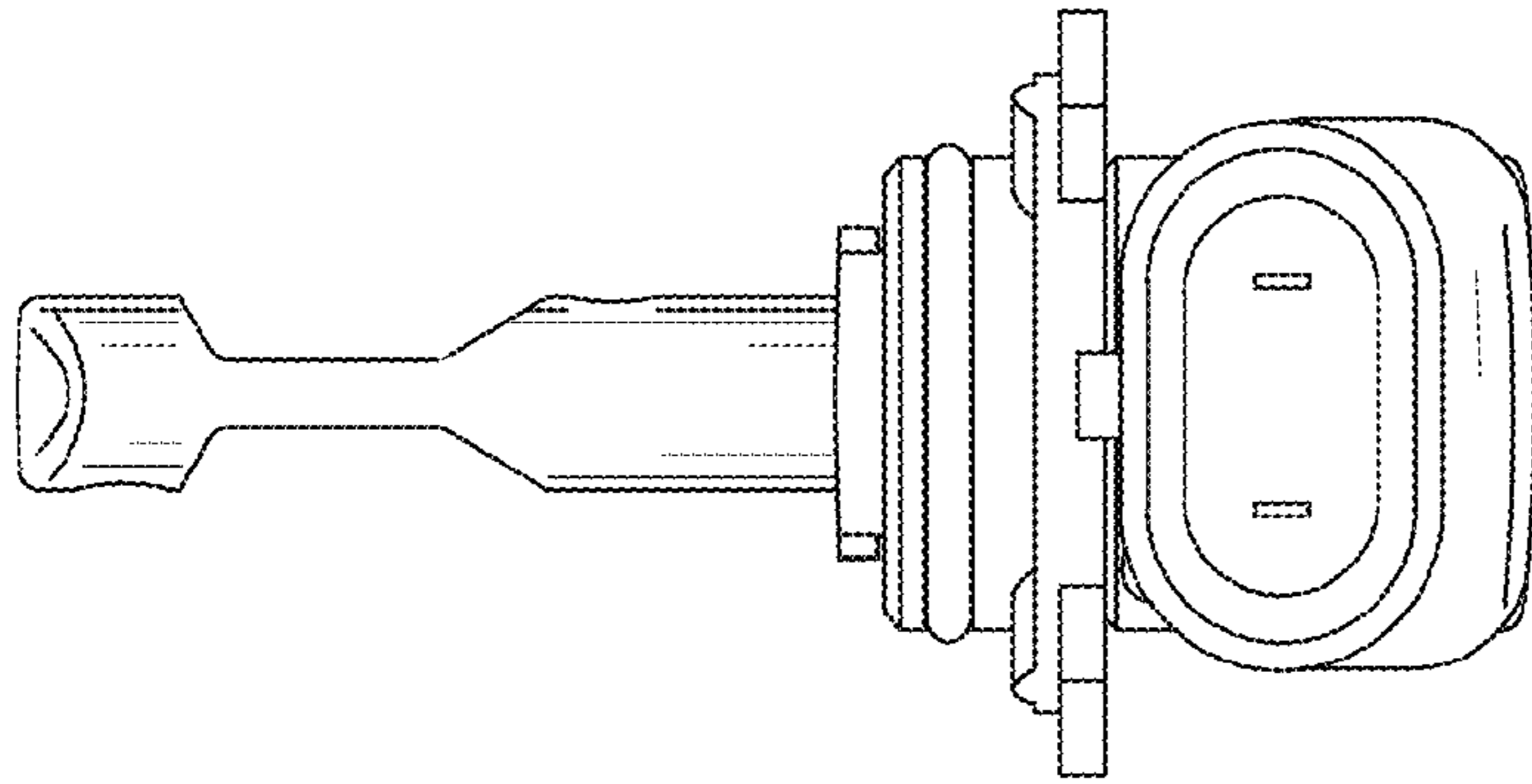


FIG. 3

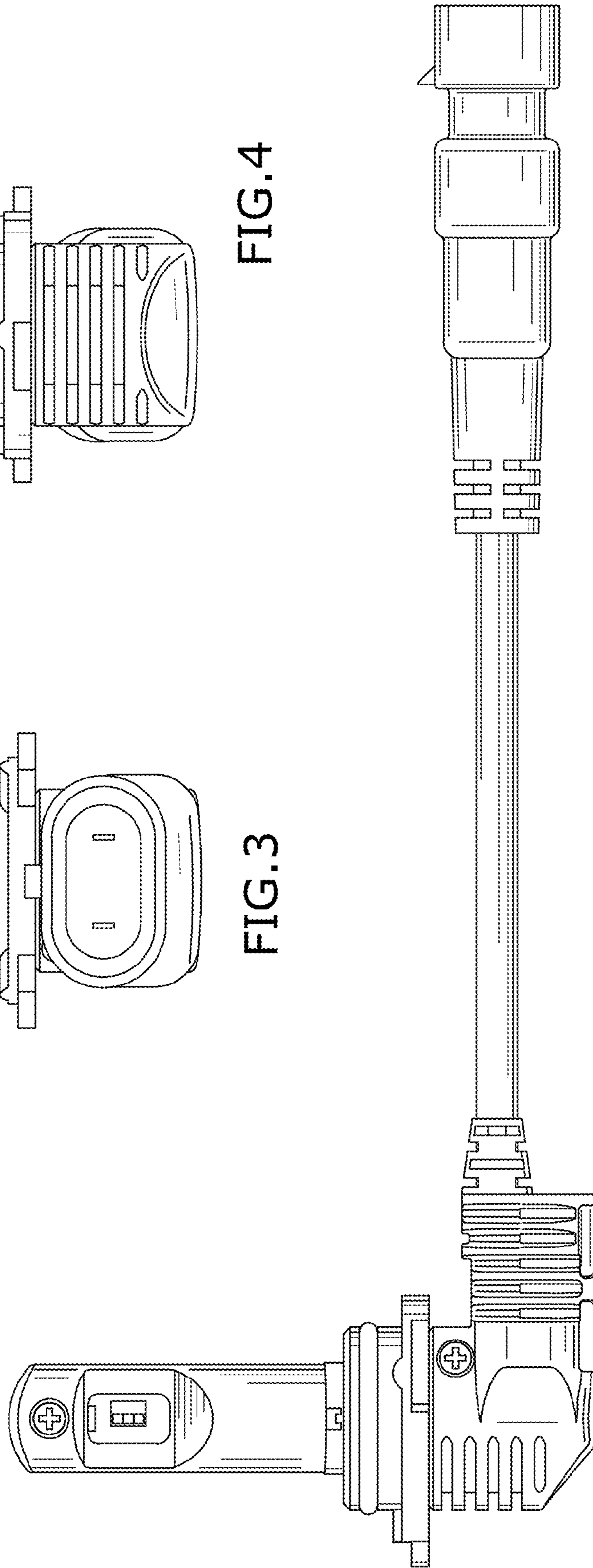


FIG. 2

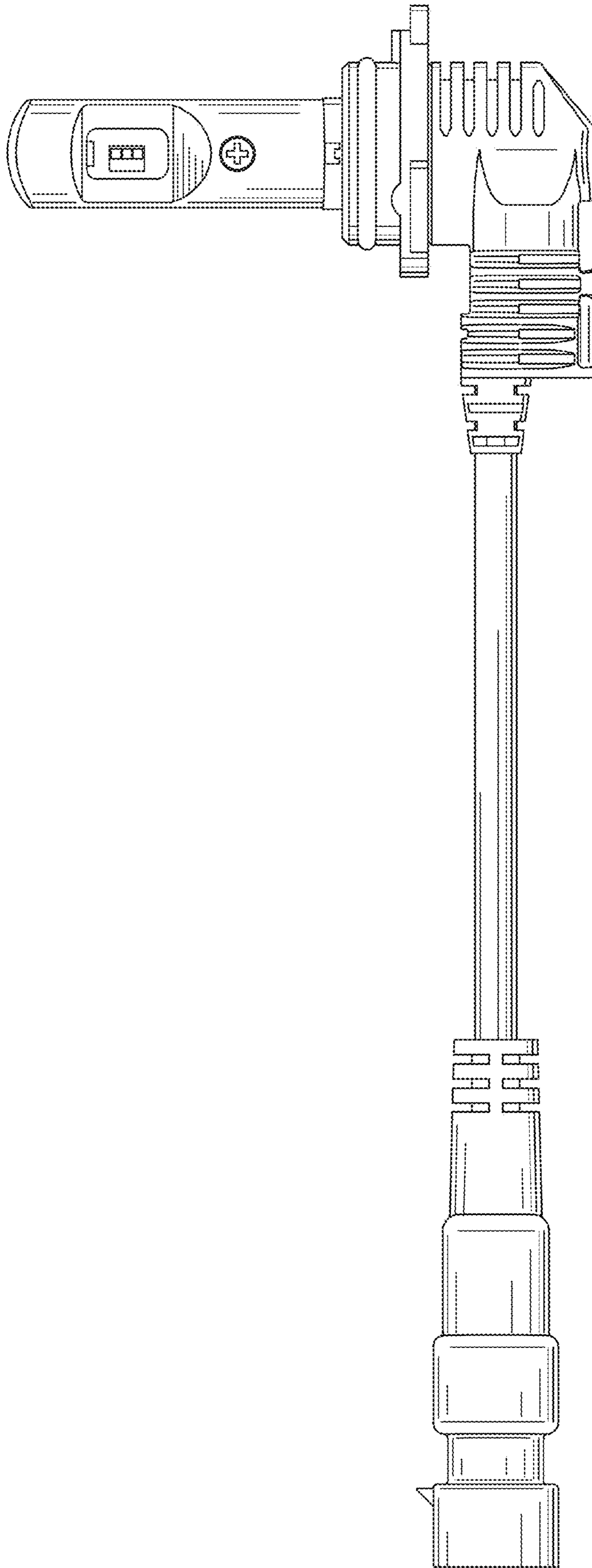


FIG. 5

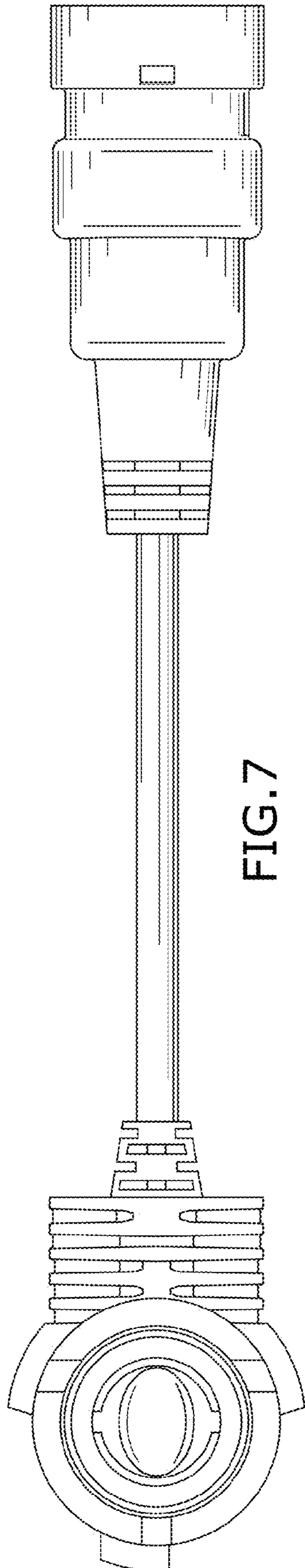


FIG. 7

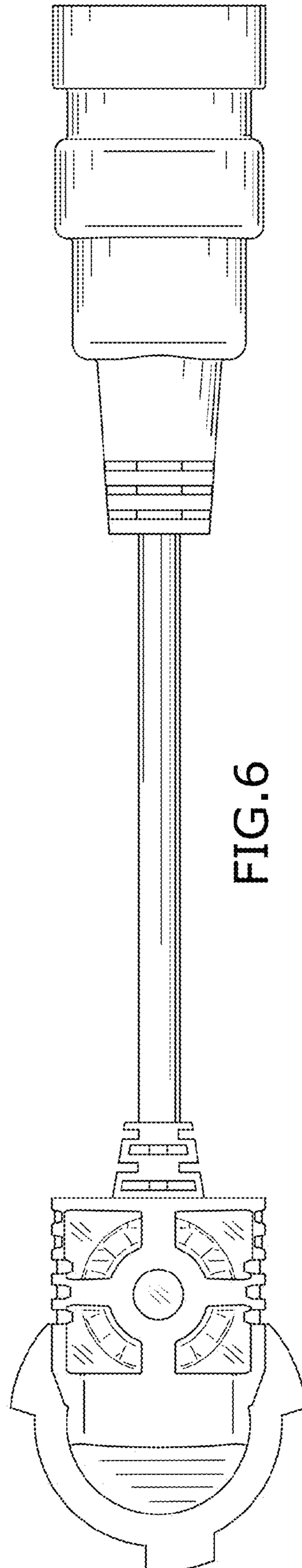


FIG. 6

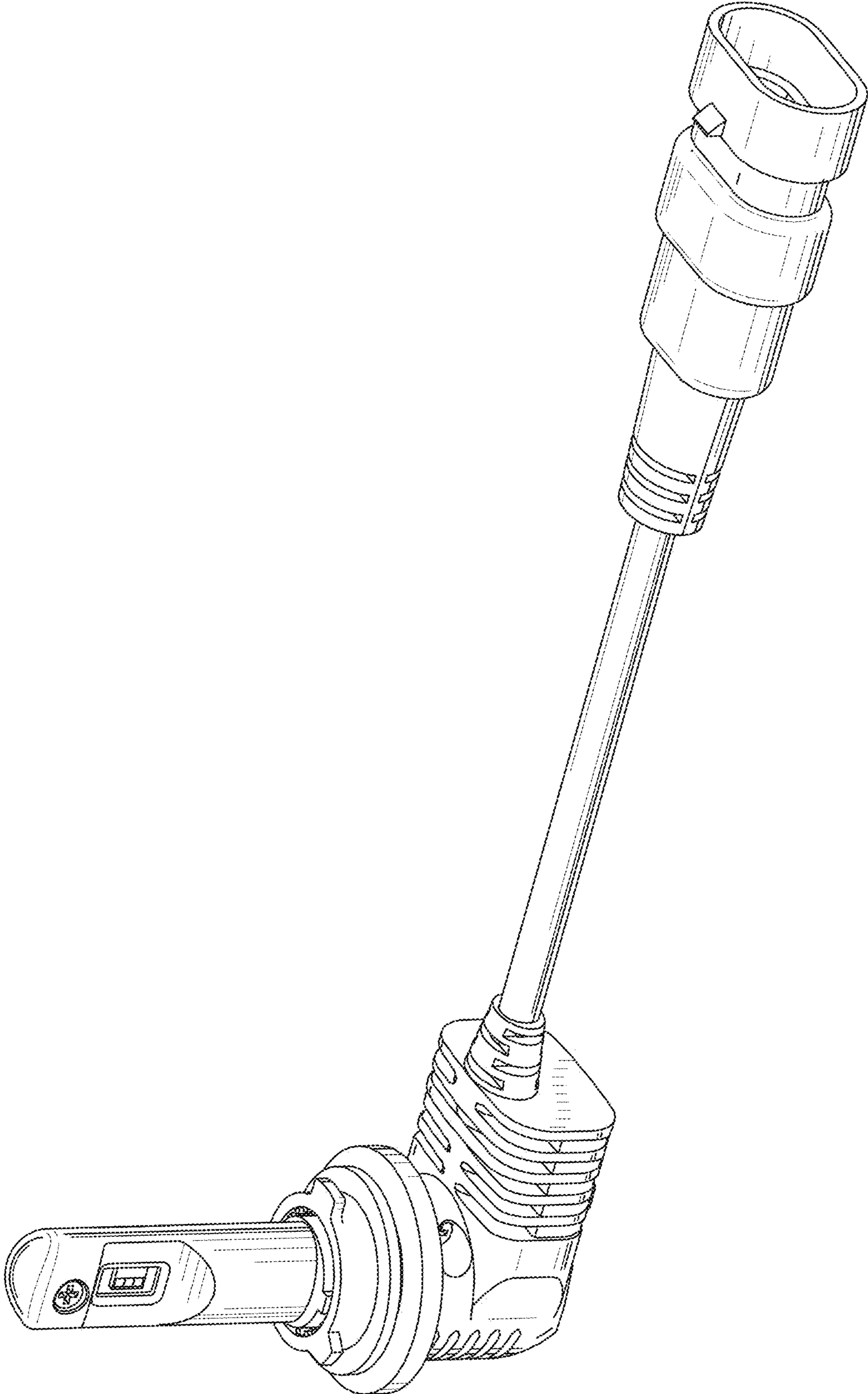


FIG. 8

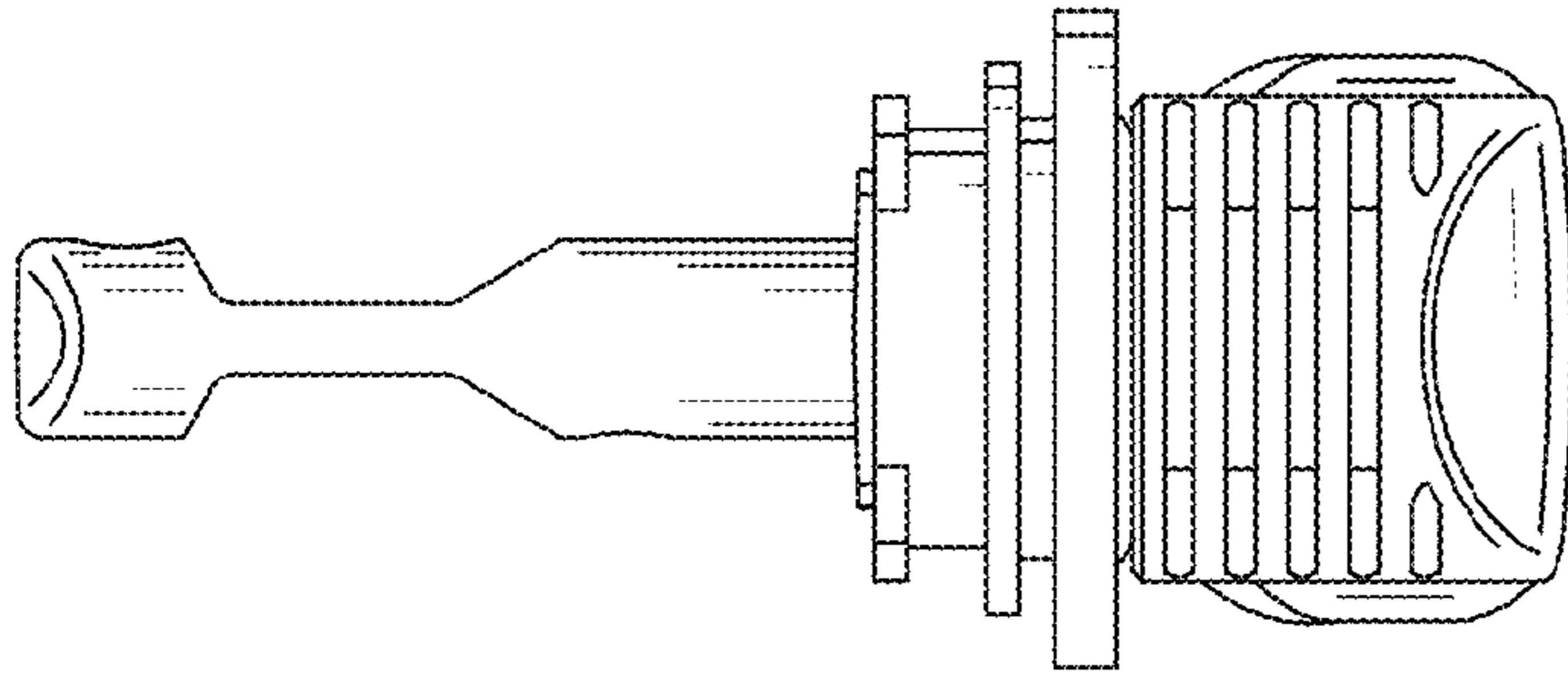


FIG. 11

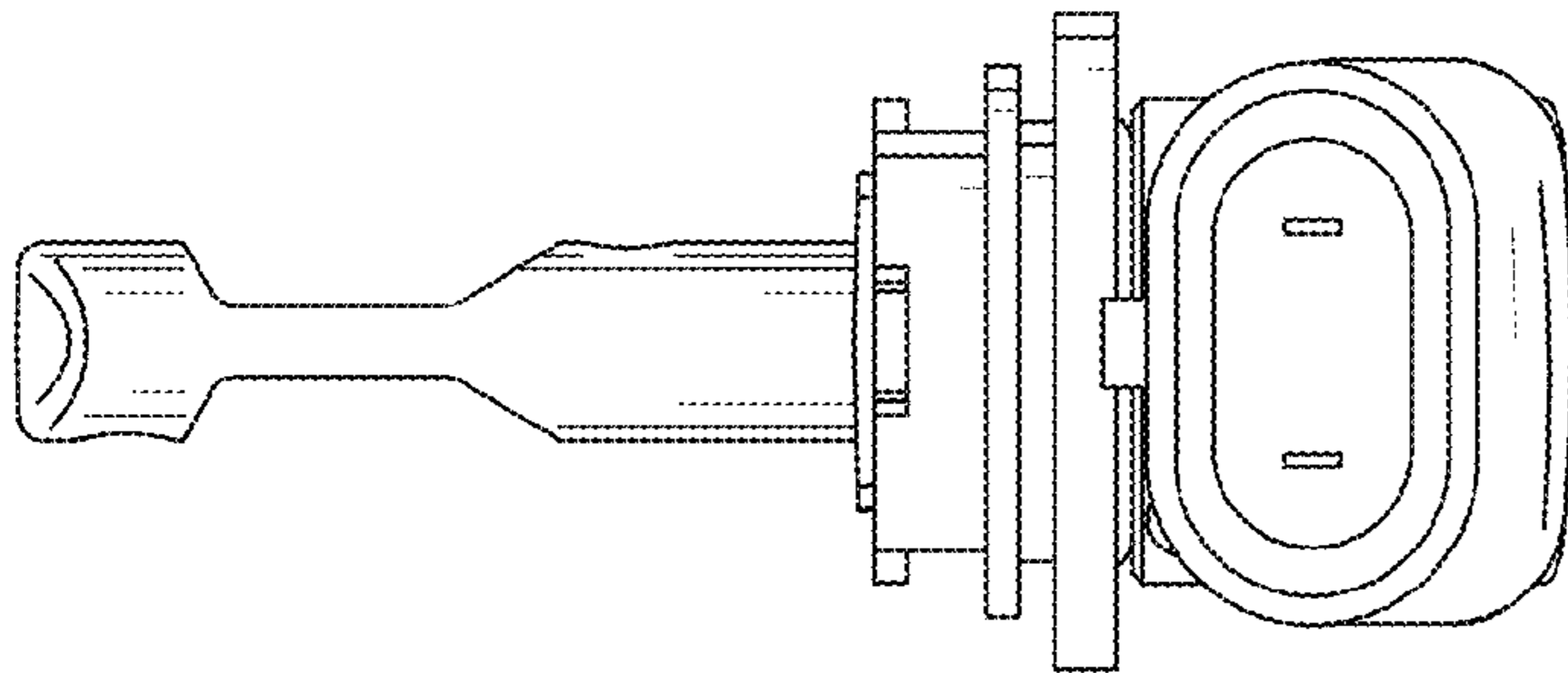


FIG. 10

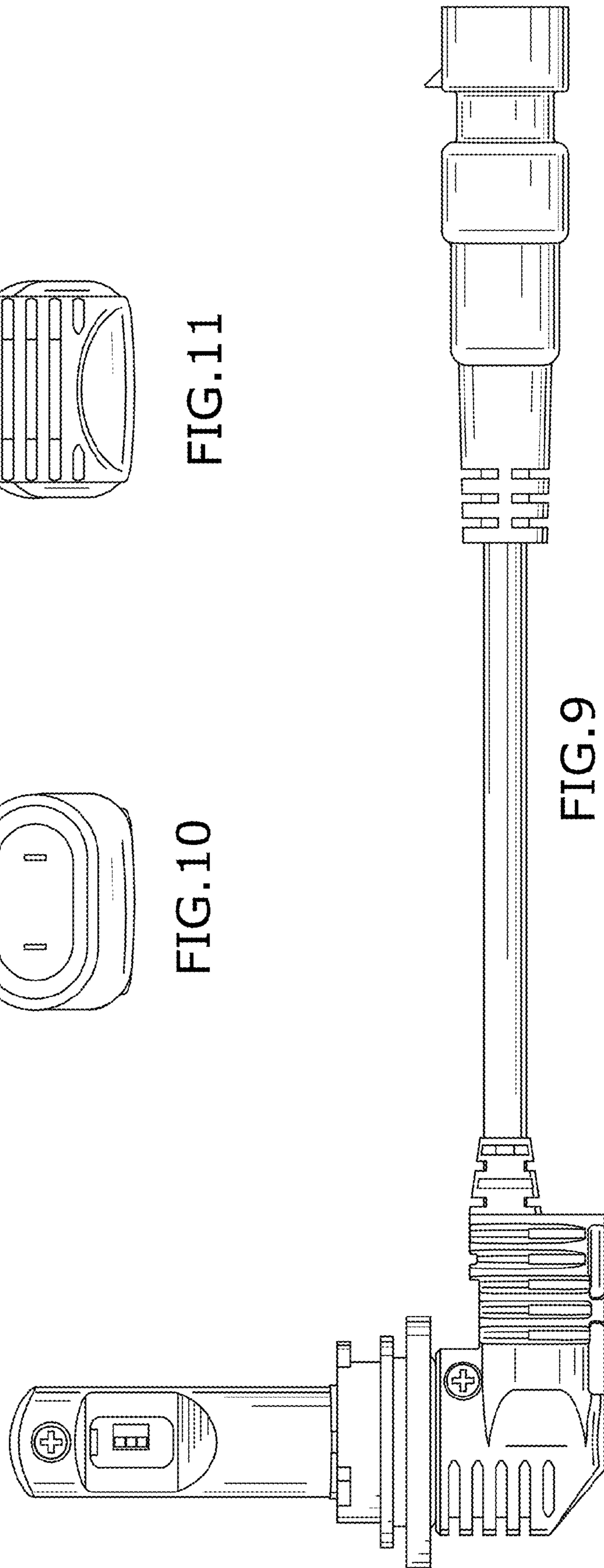


FIG. 9

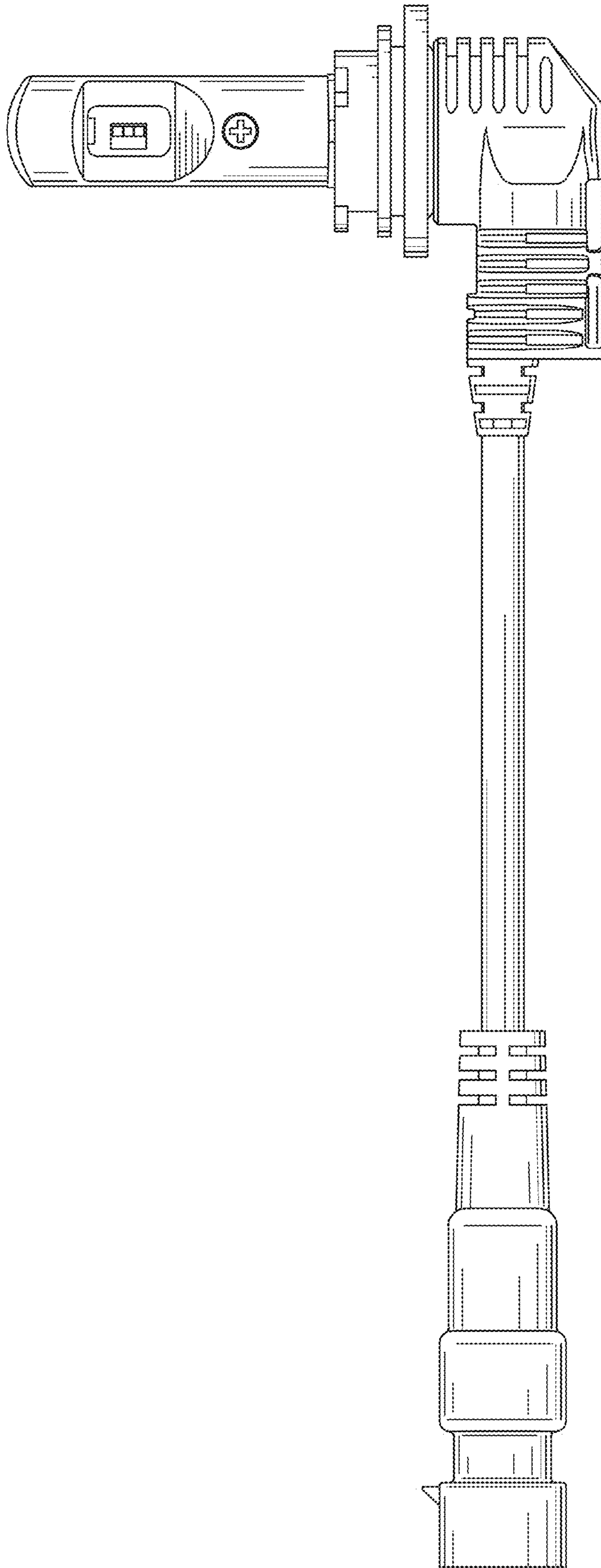


FIG.12

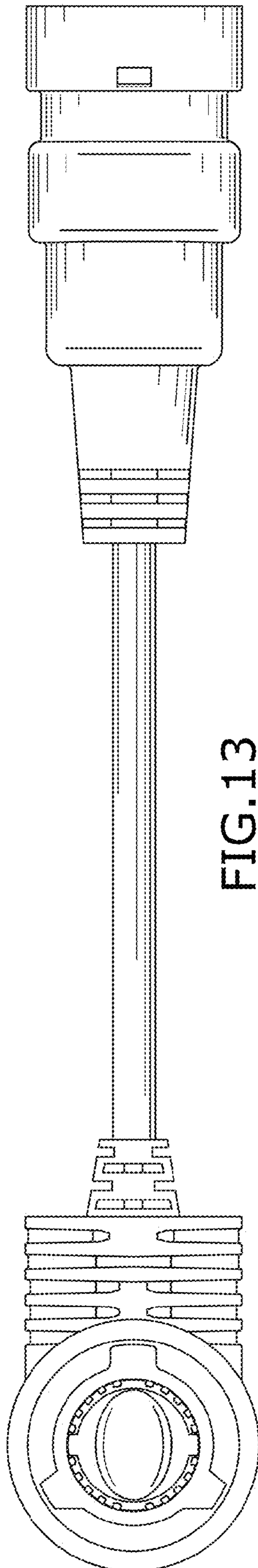


FIG. 13

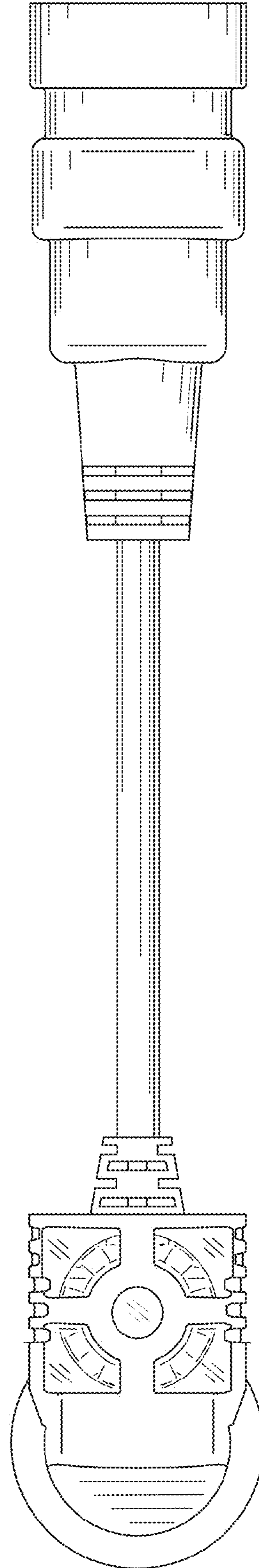


FIG. 14