



US00D890369S

(12) **United States Design Patent** (10) **Patent No.:** **US D890,369 S**
Mishim (45) **Date of Patent:** **** Jul. 14, 2020**

- (54) **TRACK PENDANT LAMP**
- (71) Applicant: **Soraa, Inc.**, Fremont, CA (US)
- (72) Inventor: **Artem Mishim**, Fremont, CA (US)
- (73) Assignee: **ECOSENSE LIGHTING, INC.**, Los Angeles, CA (US)
- (**) Term: **15 Years**
- (21) Appl. No.: **29/636,127**
- (22) Filed: **Feb. 6, 2018**
- (51) **LOC (12) Cl.** **26-03**
- (52) **U.S. Cl.**
USPC **D26/24**
- (58) **Field of Classification Search**
USPC D26/1, 24, 36, 46, 71-76, 80, 81, 83, 88,
D26/89, 113, 123, 124, 128, 154
CPC F21S 8/00; F21S 8/02; F21S 8/03; F21S
8/04; F21S 8/024; F21S 8/033; F21S
8/043; F21V 21/02; F21V 21/03; F21V
21/34
See application file for complete search history.

(56) **References Cited**

U.S. PATENT DOCUMENTS

- 3,007,038 A * 10/1961 Anisfield F21S 8/033
362/243
- D236,909 S * 9/1975 Richilano D26/68
- D243,034 S * 1/1977 Marsh, Jr. D26/128
- D294,646 S * 3/1988 Ewing D26/71
- D300,469 S * 3/1989 Ewing D26/24
- D444,900 S * 7/2001 Stanway D26/72
- D567,401 S * 4/2008 Mason, II D26/24
- D583,976 S * 12/2008 Horn D26/72
- D599,921 S * 9/2009 Rivardo D26/24

- D633,235 S * 2/2011 Zheng D26/24
- D710,536 S * 8/2014 Mollaghaffari D26/138
- D809,695 S * 2/2018 Verelst D26/72
- D810,343 S * 2/2018 Verelst D26/72
- D810,344 S * 2/2018 Verelst D26/72
- D813,435 S * 3/2018 Verelst D26/71
- D813,437 S * 3/2018 Verelst D26/72
- D827,180 S * 8/2018 Mou D26/72
- D827,192 S * 8/2018 Vos D26/113
- D850,704 S * 6/2019 Lyu D26/113
- D862,774 S * 10/2019 Nielsen D26/88
- 2011/0103062 A1* 5/2011 Park F21S 8/02
362/282
- 2013/0308294 A1* 11/2013 Nezu F21V 7/043
362/84

* cited by examiner

Primary Examiner — Wan Laymon

Assistant Examiner — Clint A Samuel

(74) *Attorney, Agent, or Firm* — FisherBroyles LLP

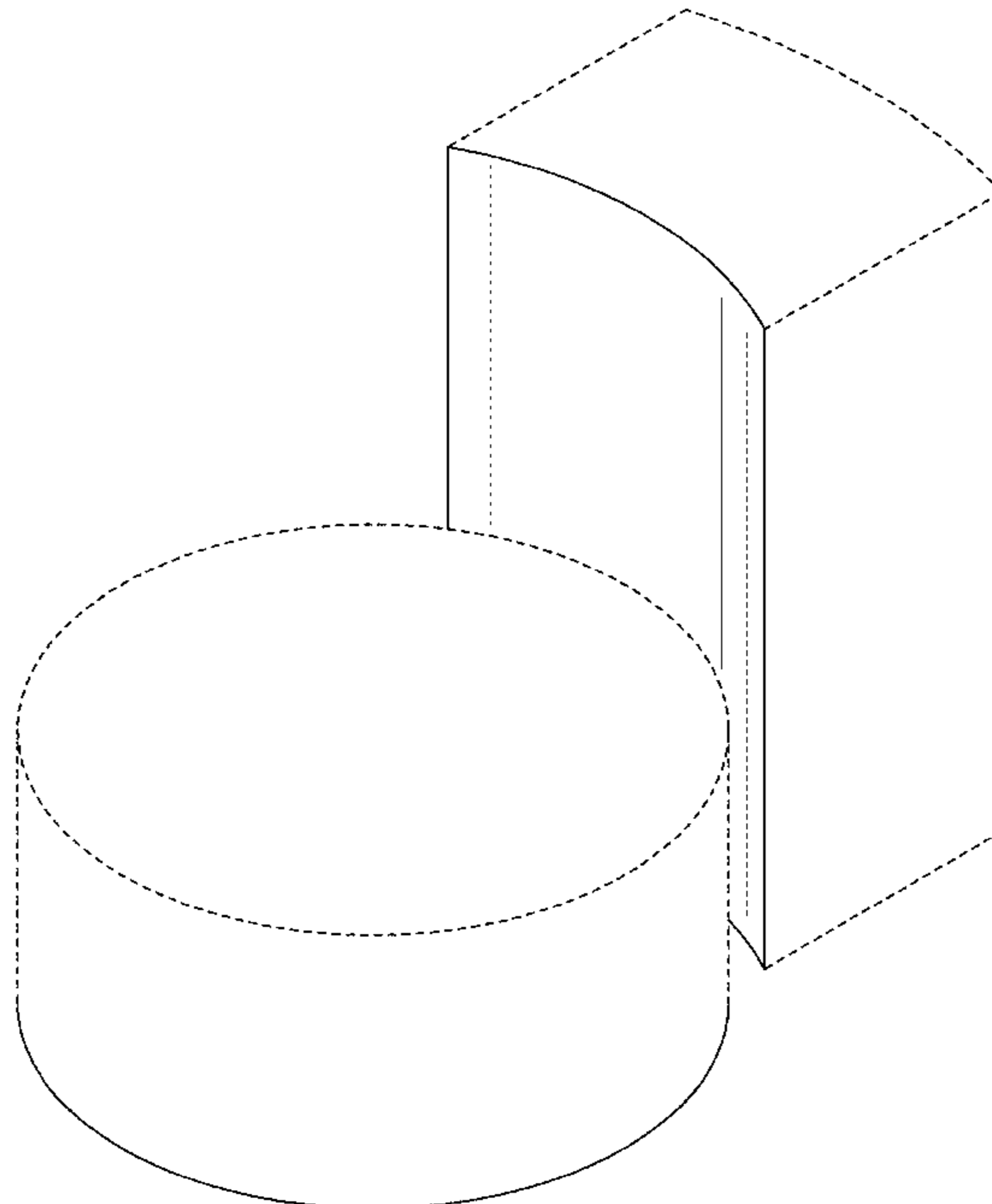
(57) **CLAIM**

The ornamental design for a track pendant lamp, as shown and described.

DESCRIPTION

FIG. 1 is a top perspective view of the track pendant lamp of my design;
 FIG. 2 is a front view thereof;
 FIG. 3 is a back view thereof;
 FIG. 4 is a right side view thereof;
 FIG. 5 is a left side view thereof;
 FIG. 6 is a top view thereof;
 FIG. 7 is a bottom view thereof; and,
 FIG. 8 is a bottom perspective view thereof.
 The broken lines in the figures represent unclaimed subject matter and form no part of the claimed design.

1 Claim, 8 Drawing Sheets



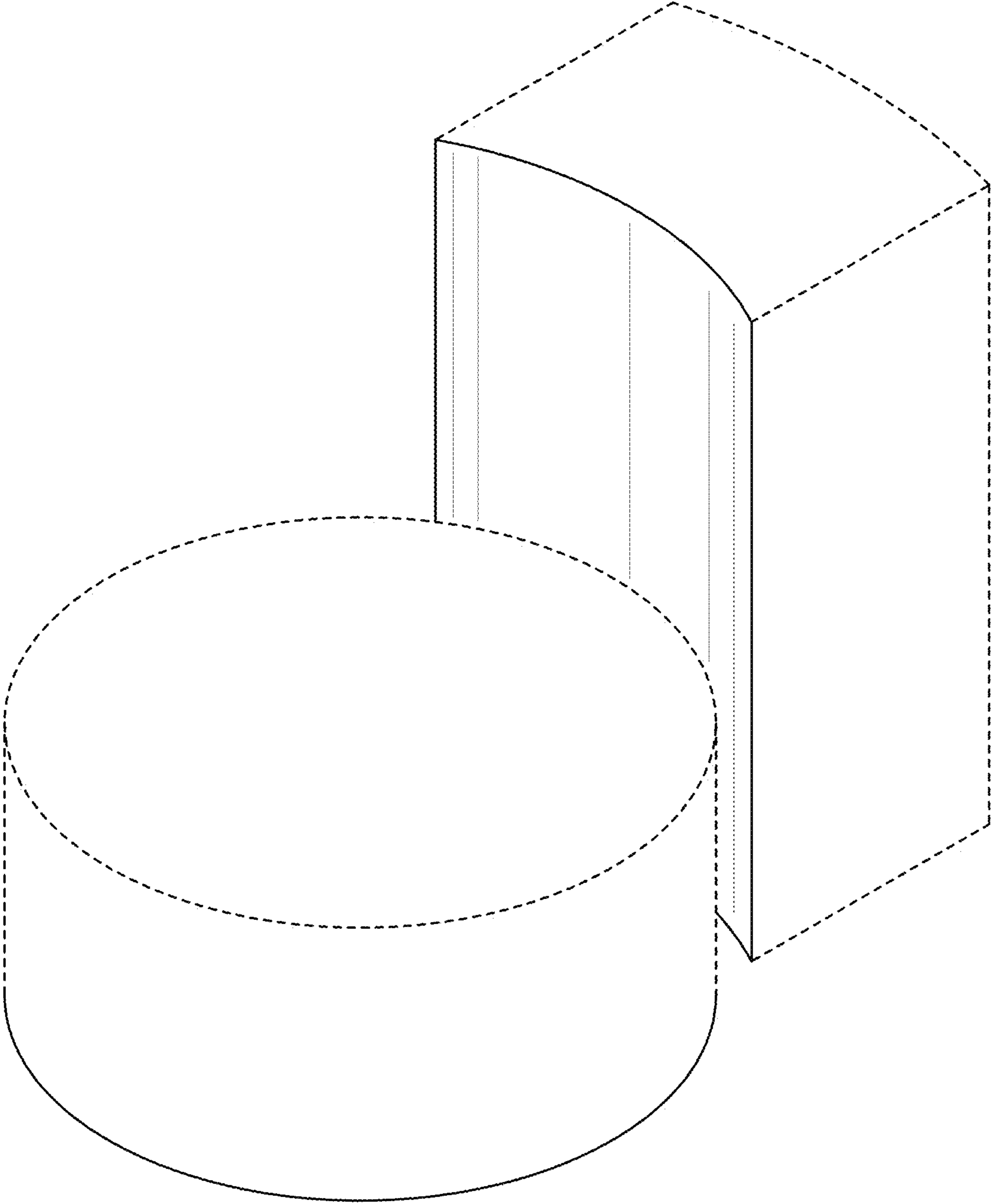


FIG. 1

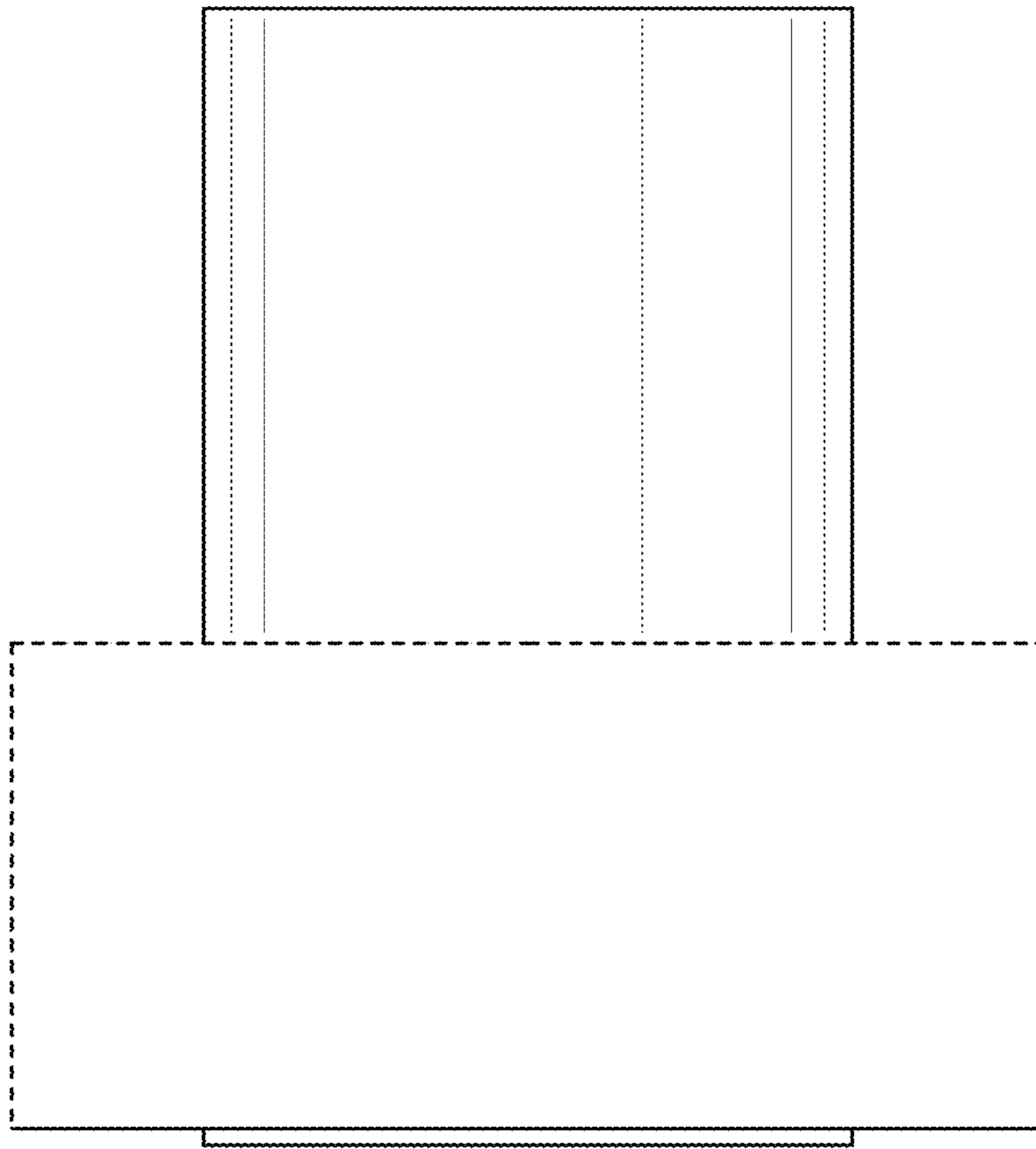


FIG. 2

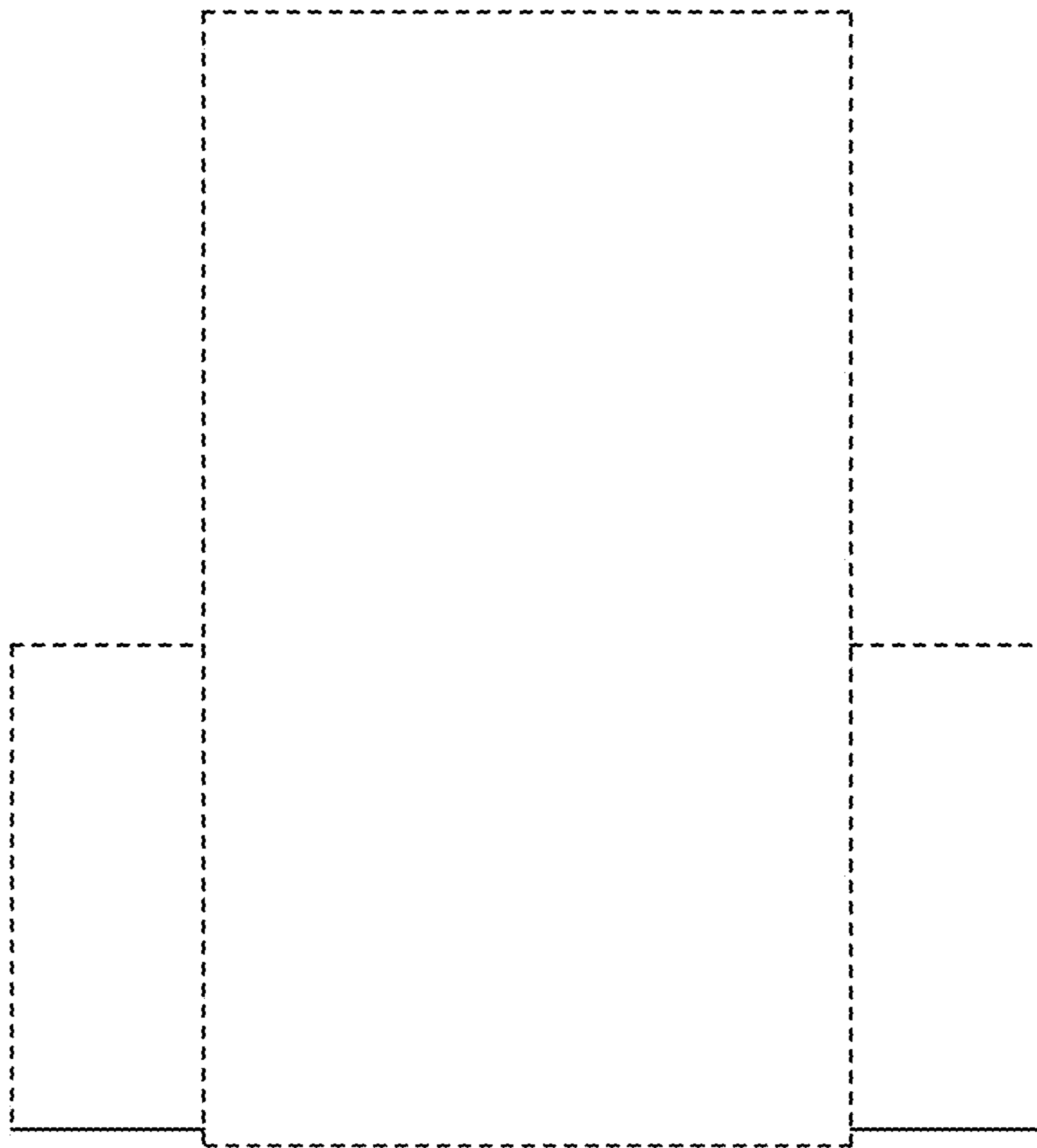


FIG. 3

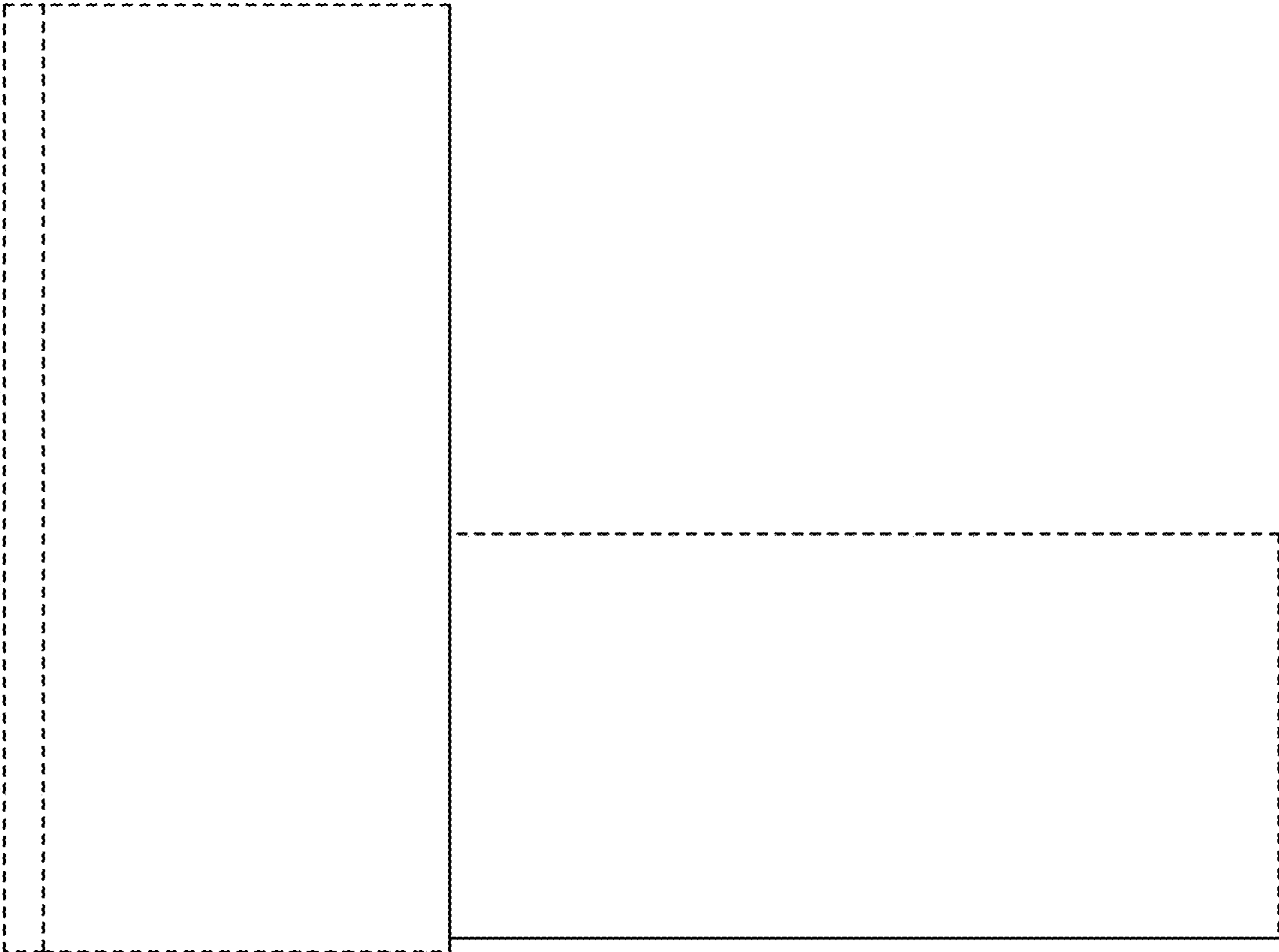


FIG. 4

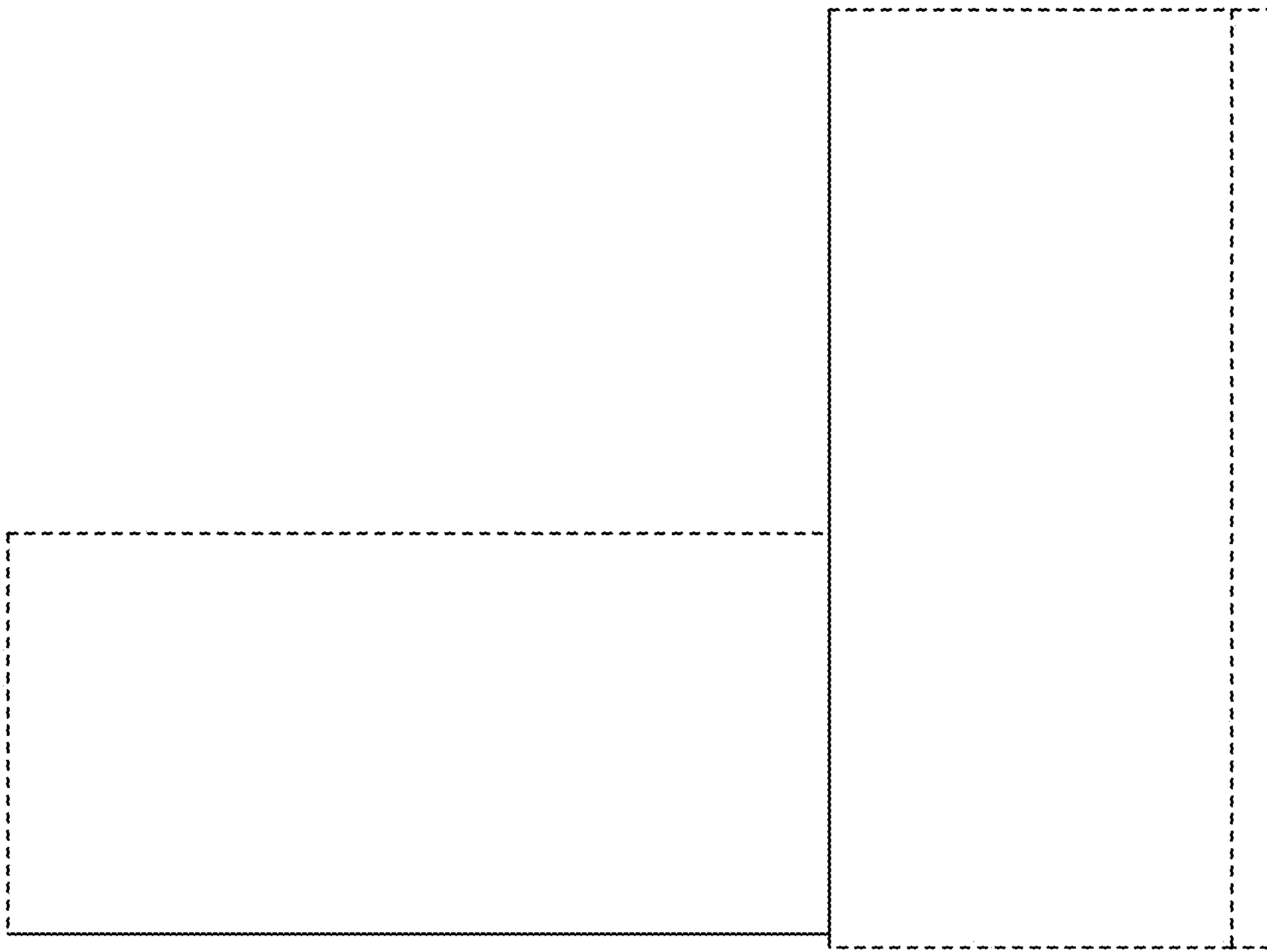


FIG. 5

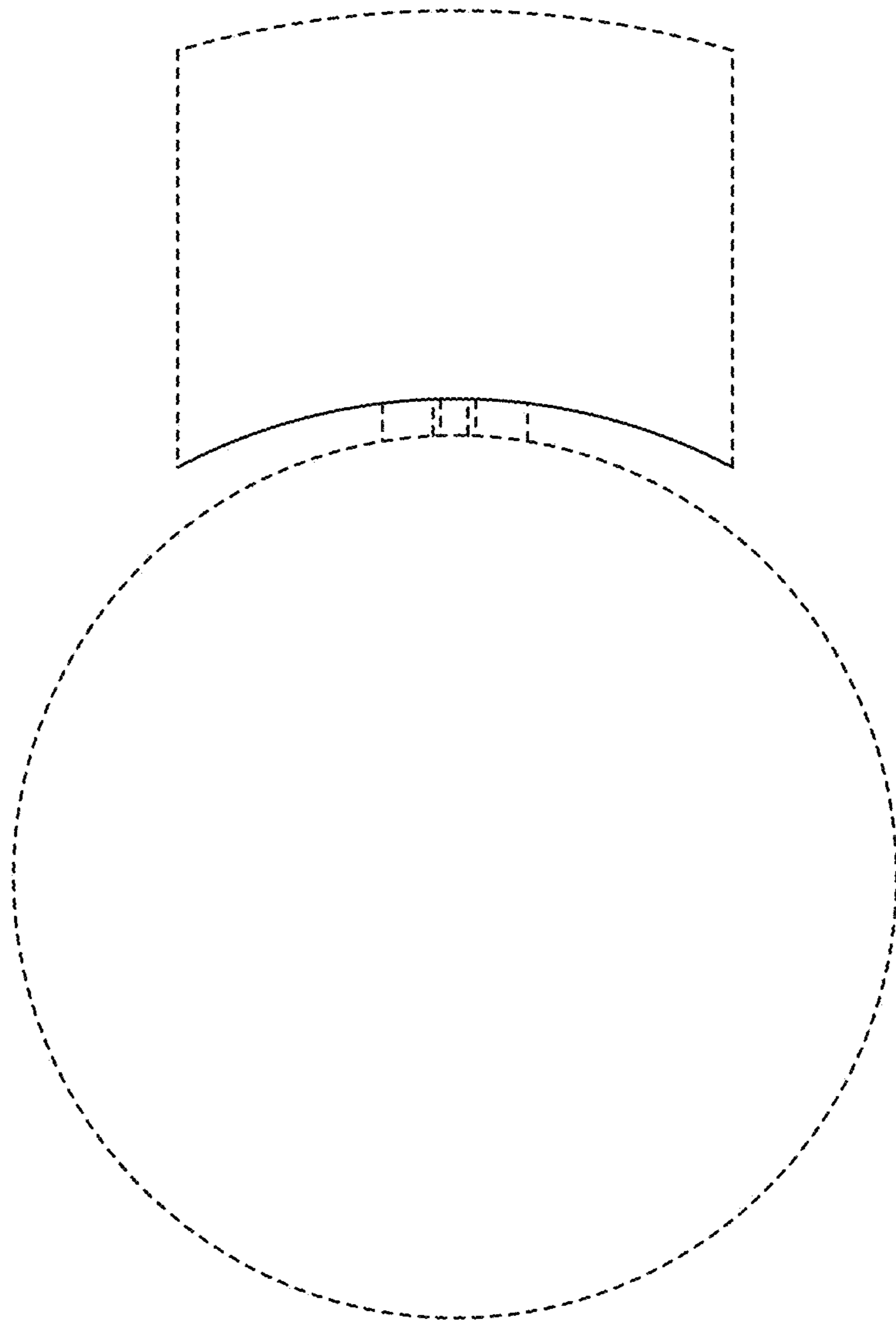


FIG. 6

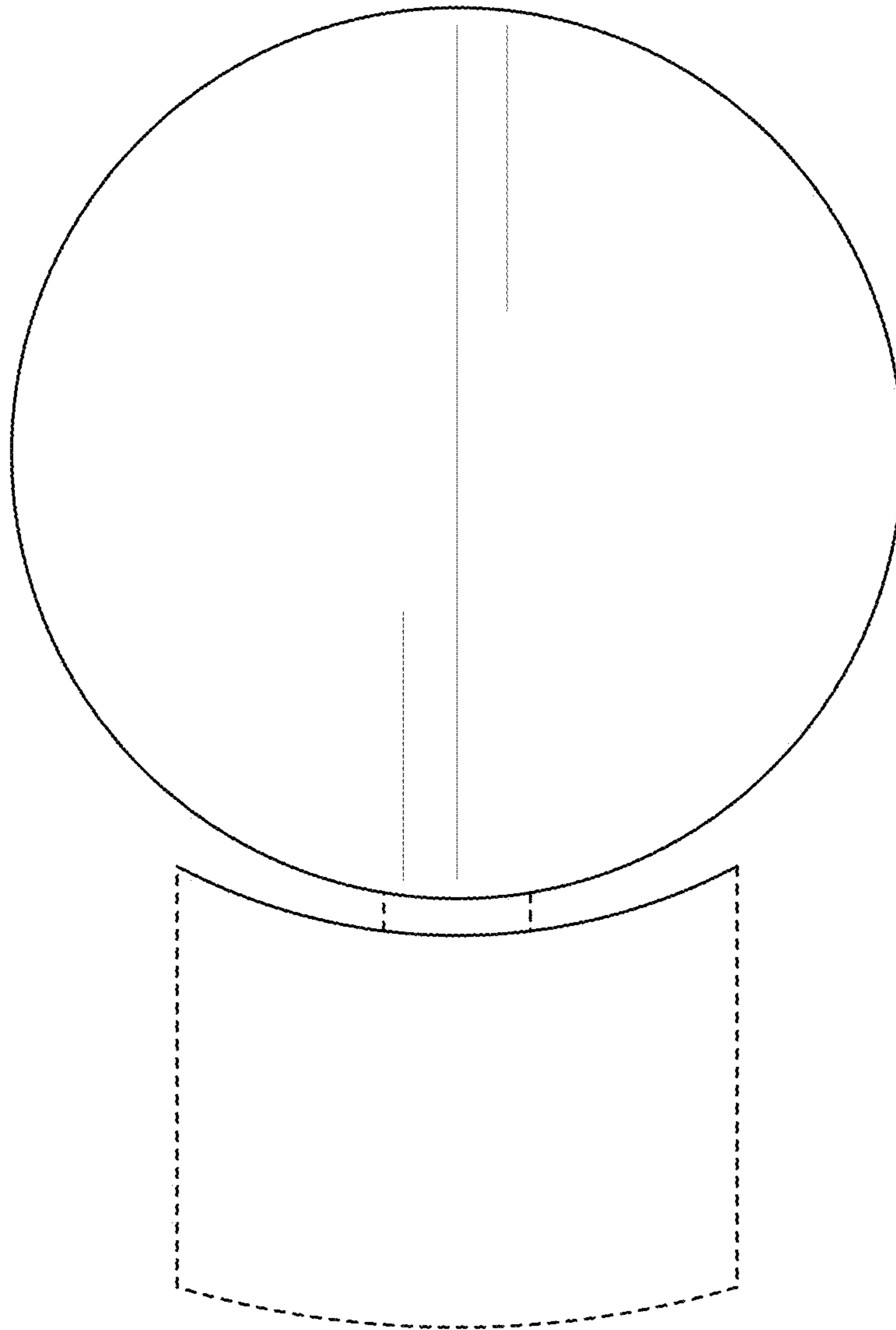


FIG. 7

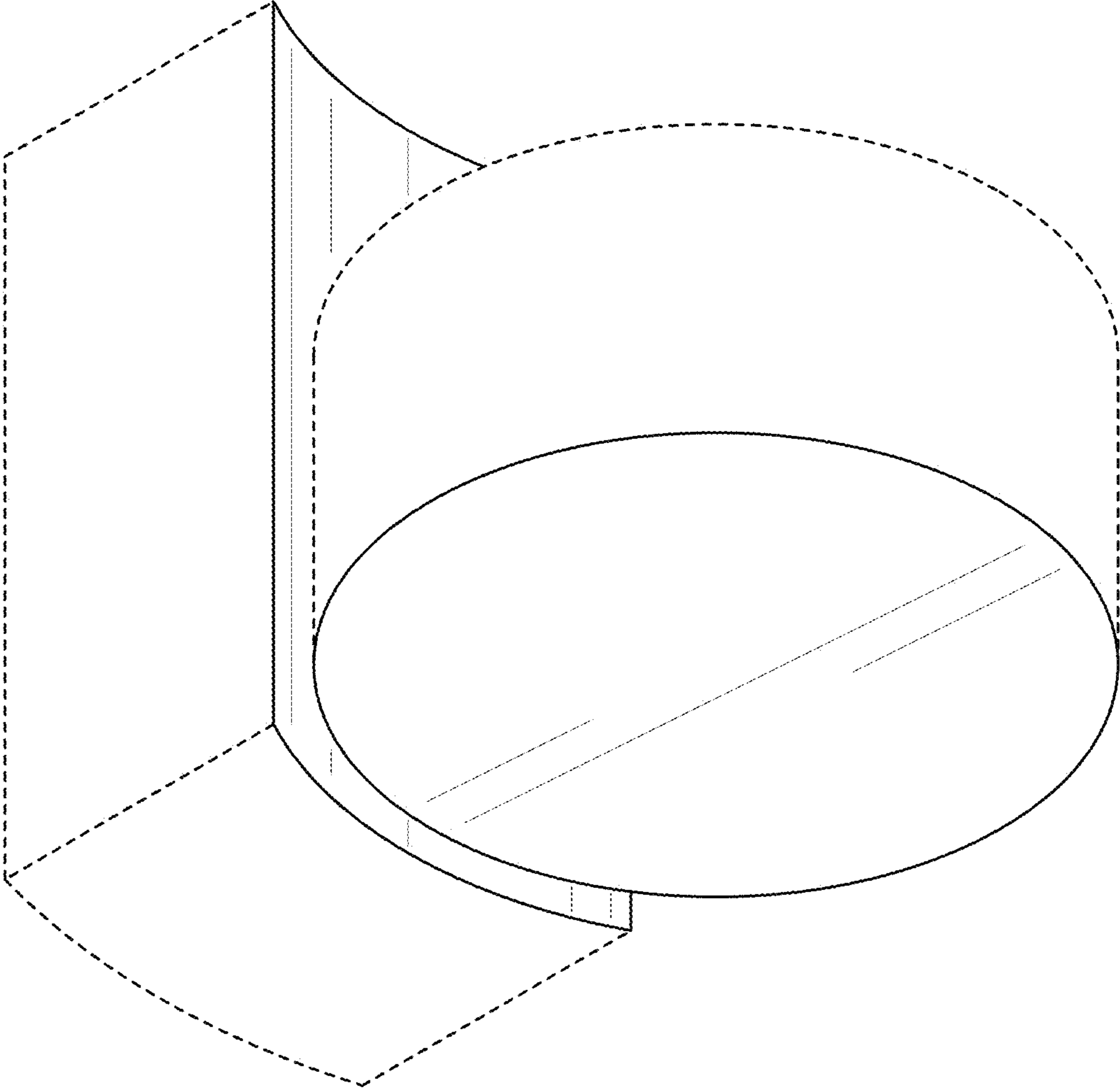


FIG. 8