



US00D890365S

(12) **United States Design Patent**
Brittnell

(10) **Patent No.:** **US D890,365 S**
(45) **Date of Patent:** **** Jul. 14, 2020**

- (54) **SPLASH PAD WITH ANCHOR SYSTEM**
- (71) Applicant: **Morne Brittnell**, Orlando, FL (US)
- (72) Inventor: **Morne Brittnell**, Orlando, FL (US)
- (**) Term: **15 Years**
- (21) Appl. No.: **29/715,806**
- (22) Filed: **Dec. 4, 2019**
- (51) **LOC (12) Cl.** **25-01**
- (52) **U.S. Cl.**
USPC **D25/112**
- (58) **Field of Classification Search**
USPC D21/484-491, 499-504; D25/112-118
CPC .. E01C 11/227; E03F 1/002; Y10T 137/5762;
E04D 13/08; E04D 2013/0813
See application file for complete search history.

D387,109 S * 12/1997 Winans D21/680
D570,499 S 6/2008 Vogler
D662,223 S 6/2012 Fuller et al.
8,899,875 B1 * 12/2014 Bramble E04D 13/08
405/119
D866,003 S * 11/2019 Webber D25/112
2009/0003933 A1 1/2009 Anderson et al.
2012/0011802 A1 1/2012 Bertucci

FOREIGN PATENT DOCUMENTS

CA 125929 * 12/2008
CA 181670 * 4/2019

* cited by examiner

Primary Examiner — Leanne Was-Englehart
(74) *Attorney, Agent, or Firm* — Jason T. Daniel, Esq.;
Daniel Law Offices, P.A.

(57) **CLAIM**

The ornamental design for a splash pad with anchor system, as shown and described.

DESCRIPTION

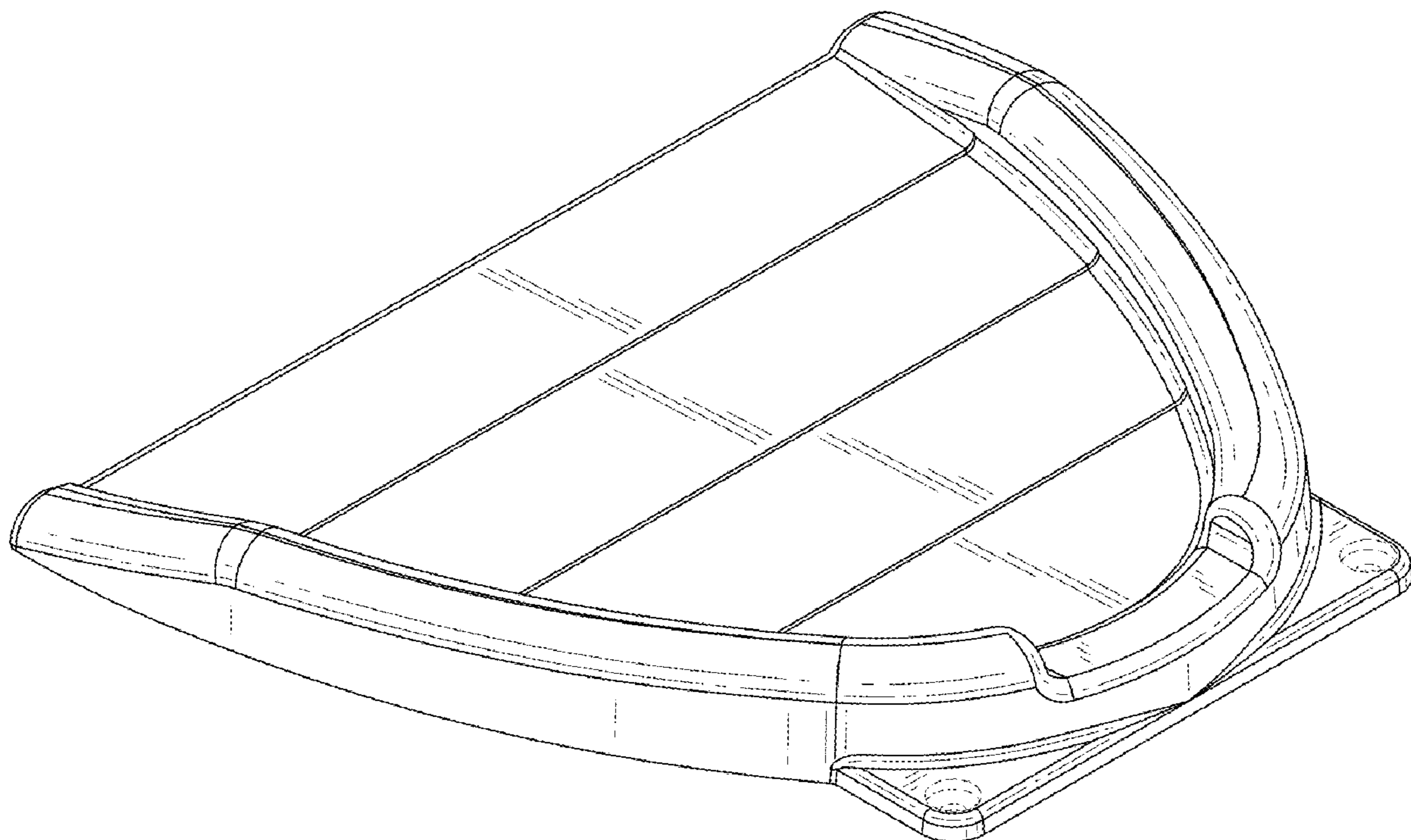
FIG. 1 is a perspective view thereof,
FIG. 2 is a right side view thereof,
FIG. 3 is a front side view thereof,
FIG. 4 is a back side view thereof; and,
FIG. 5 is a top side view thereof.
The broken lines depict portions of the splash pad with anchor system that form no part of the claimed design.
The right side is a mirror image of the left side.

1 Claim, 2 Drawing Sheets

(56) **References Cited**

U.S. PATENT DOCUMENTS

D156,812 S * 1/1950 Buchanan D25/112
D171,737 S * 3/1954 Torricelli D25/112
D181,753 S * 12/1957 Scanland D25/112
D230,478 S * 2/1974 Littman D25/112
D237,493 S * 11/1975 Sturm D23/259
4,345,853 A 8/1982 Fisher
4,693,633 A * 9/1987 Giordano E04D 13/08
405/119
D310,267 S * 8/1990 Zeidman D25/113
D381,757 S * 7/1997 Azar D25/112



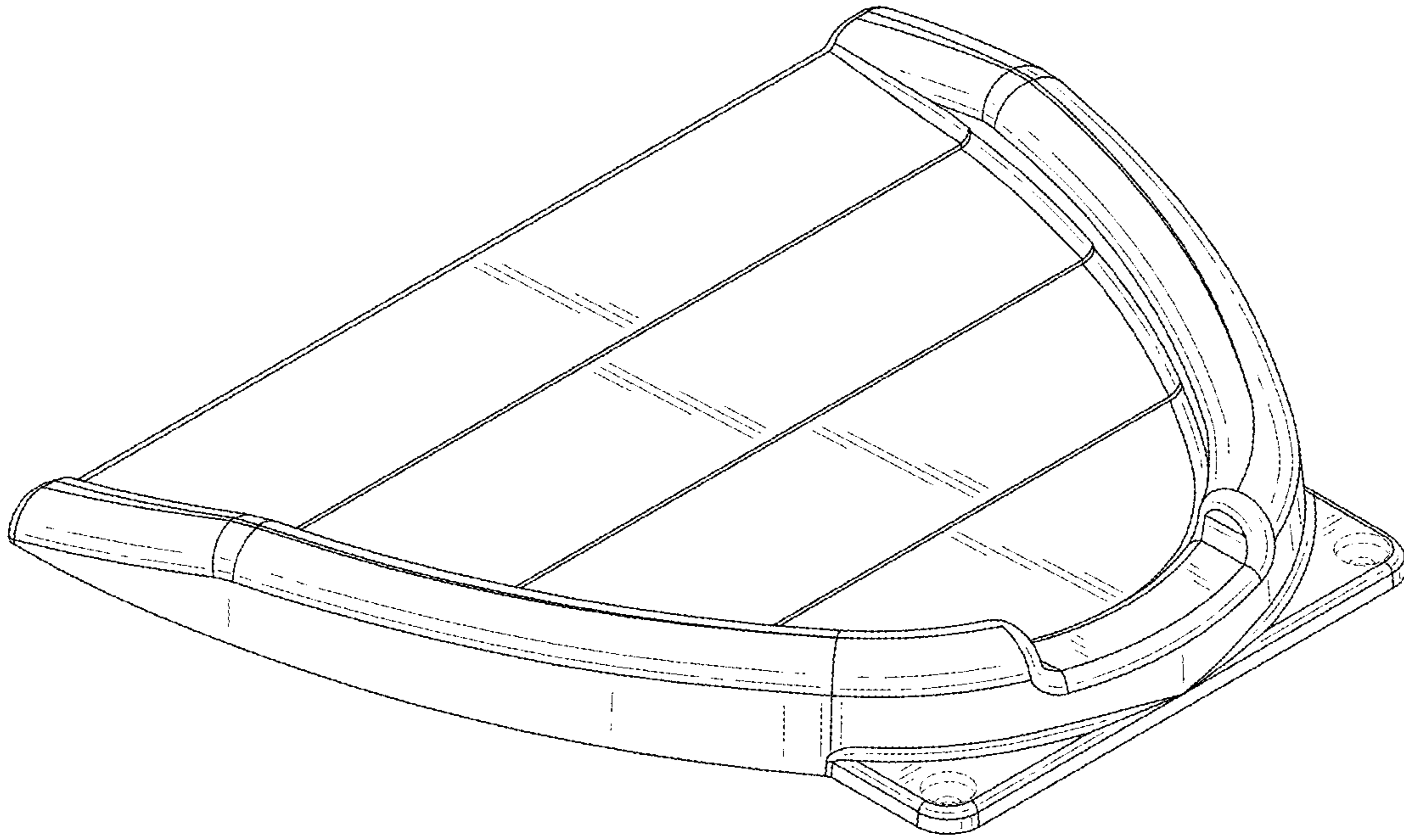


FIG. 1

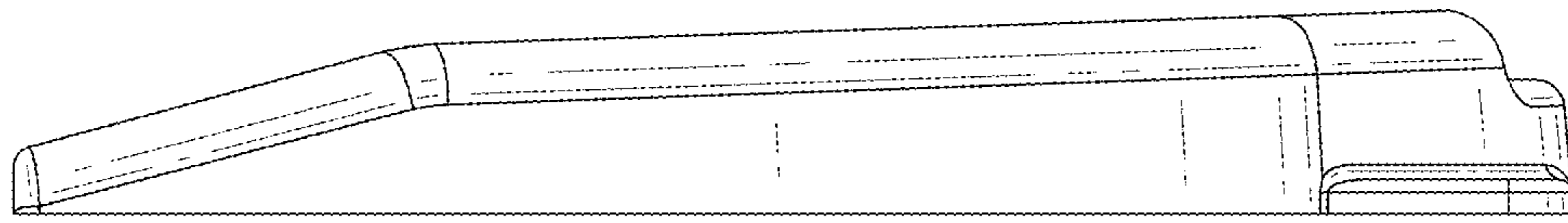


FIG. 2



FIG. 3

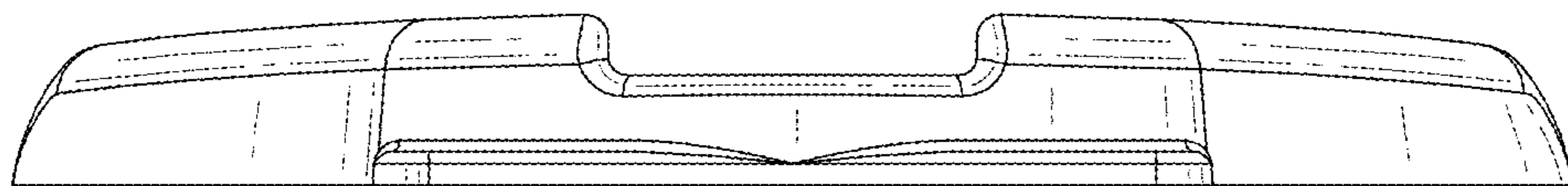


FIG. 4

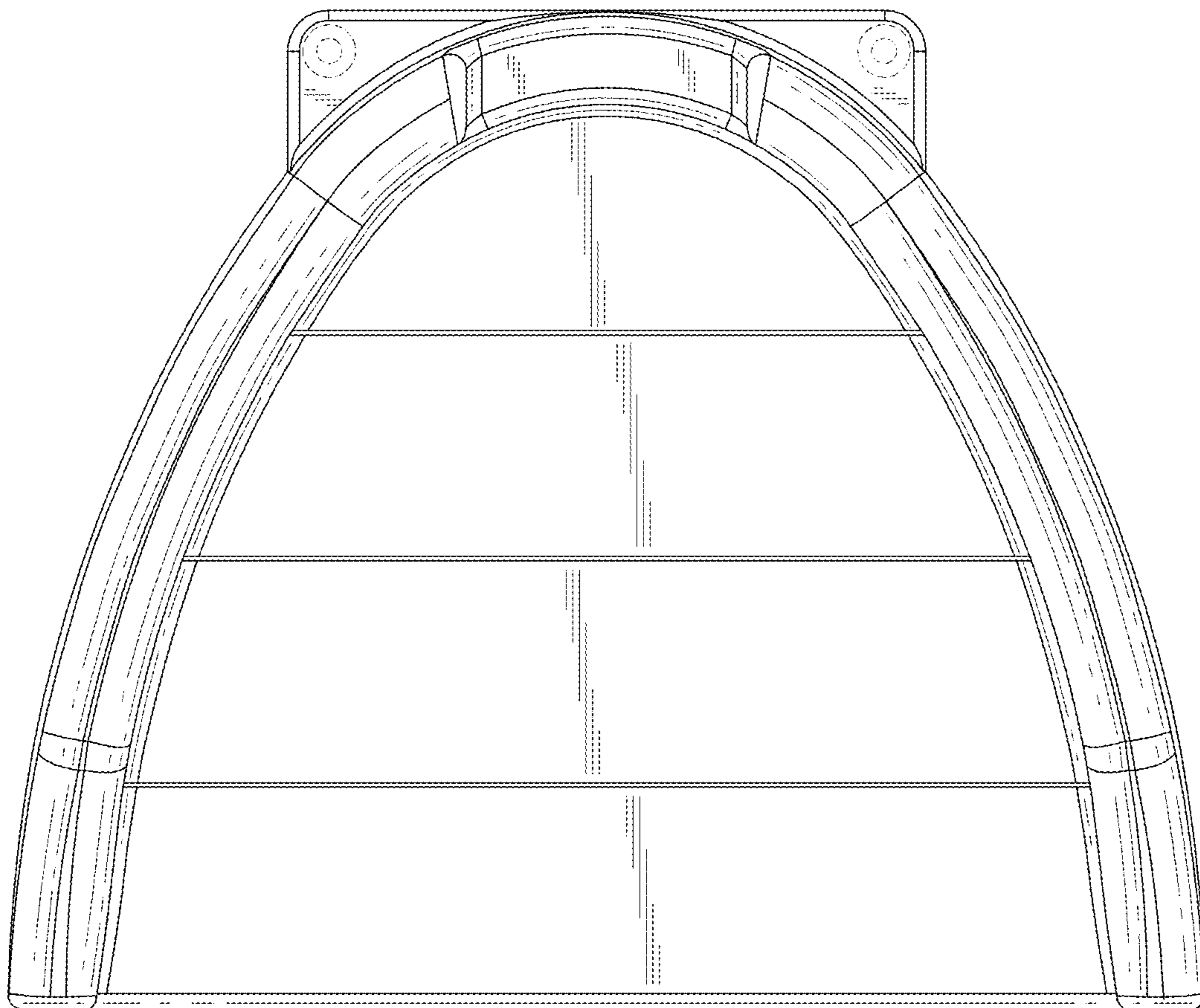


FIG. 5