



US00D890364S

(12) **United States Design Patent**  
**Brittnell**

(10) **Patent No.:** **US D890,364 S**

(45) **Date of Patent:** **\*\* Jul. 14, 2020**

(54) **SPLASH PAD WITH ANCHOR SYSTEM**

(71) Applicant: **Morne Brittnell**, Orlando, FL (US)

(72) Inventor: **Morne Brittnell**, Orlando, FL (US)

(\*\*) Term: **15 Years**

(21) Appl. No.: **29/715,796**

(22) Filed: **Dec. 4, 2019**

(51) **LOC (12) Cl.** ..... **25-01**

(52) **U.S. Cl.**  
USPC ..... **D25/112**

(58) **Field of Classification Search**  
USPC ..... D21/484-491, 499-504; D25/112-118  
CPC .. E01C 11/227; E03F 1/002; Y10T 137/5762;  
E04D 13/08; E04D 2013/0813  
See application file for complete search history.

(56) **References Cited**

**U.S. PATENT DOCUMENTS**

D156,812 S *	1/1950	Buchanan	.....	D25/112
D171,737 S *	3/1954	Torricelli	.....	D25/112
D181,753 S *	12/1957	Scanland	.....	D25/112
D230,478 S *	2/1974	Littman	.....	D25/112
D237,493 S *	11/1975	Sturm	.....	D23/259
4,345,853 A	8/1982	Fisher		
4,693,633 A *	9/1987	Giordano	.....	E04D 13/08 405/119
D310,267 S *	8/1990	Zeidman	.....	D25/113
D381,757 S *	7/1997	Azar	.....	D25/112

D387,109 S *	12/1997	Winans	.....	D21/680
D570,499 S	6/2008	Vogler		
D662,223 S	6/2012	Fuller et al.		
8,899,875 B1 *	12/2014	Bramble	.....	E04D 13/08 405/119
D866,003 S *	11/2019	Webber	.....	D25/112
2009/0003933 A1	1/2009	Anderson et al.		
2012/0011802 A1	1/2012	Bertucci		

**FOREIGN PATENT DOCUMENTS**

CA	125929	*	12/2008
CA	181670	*	4/2019

\* cited by examiner

*Primary Examiner* — Leanne Was-Englehart  
(74) *Attorney, Agent, or Firm* — Jason T. Daniel, Esq.;  
Daniel Law Offices, P.A.

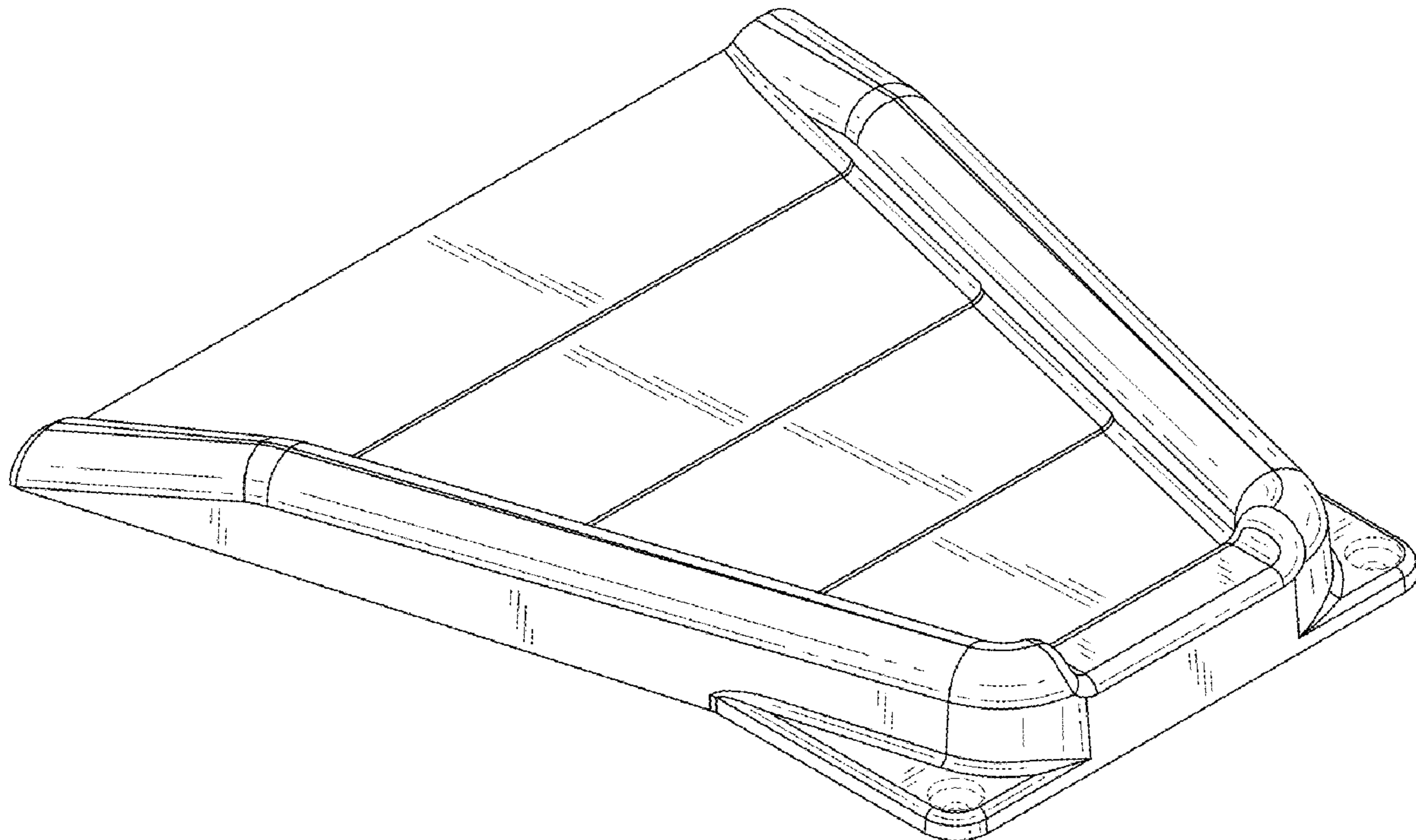
(57) **CLAIM**

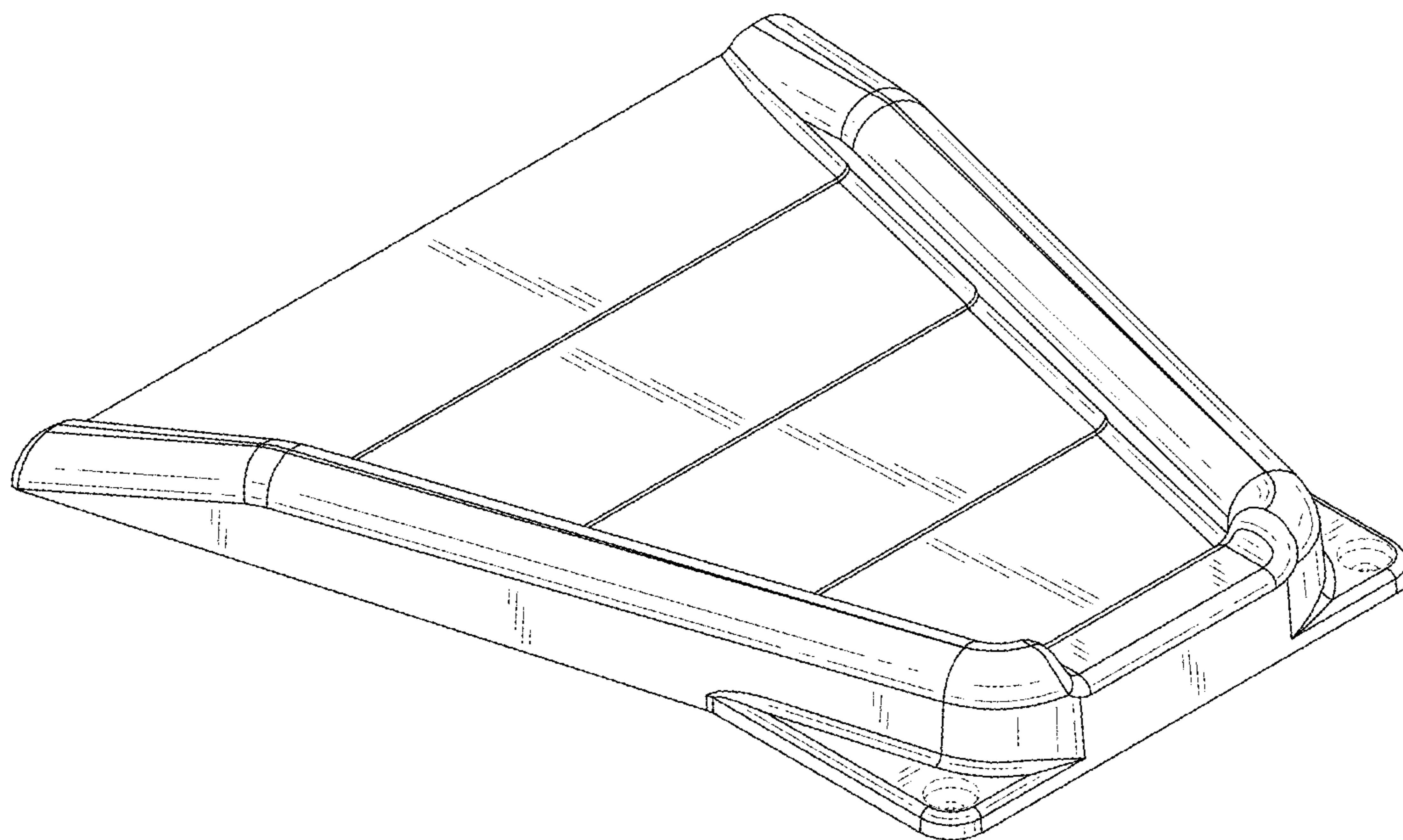
The ornamental design for a splash pad with anchor system, as shown and described.

**DESCRIPTION**

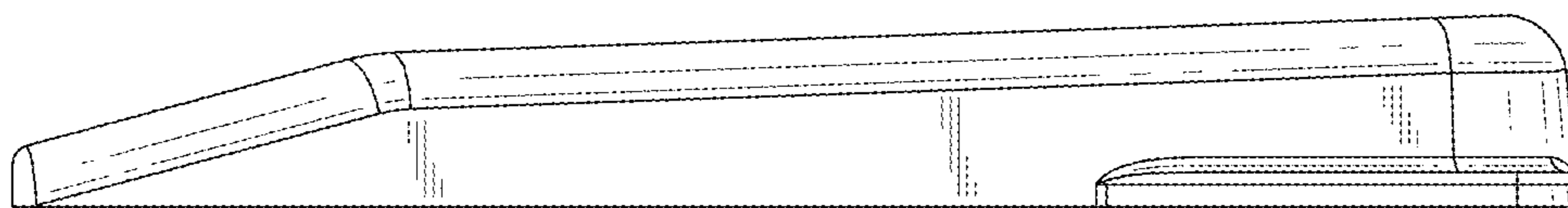
FIG. 1 is a perspective view thereof,  
FIG. 2 is a right side view thereof,  
FIG. 3 is a front side view thereof,  
FIG. 4 is a back side view thereof; and,  
FIG. 5 is a top side view thereof.  
The broken lines depict portions of the splash pad with anchor system that form no part of the claimed design.  
The left side is a mirror image of the right side.

**1 Claim, 2 Drawing Sheets**

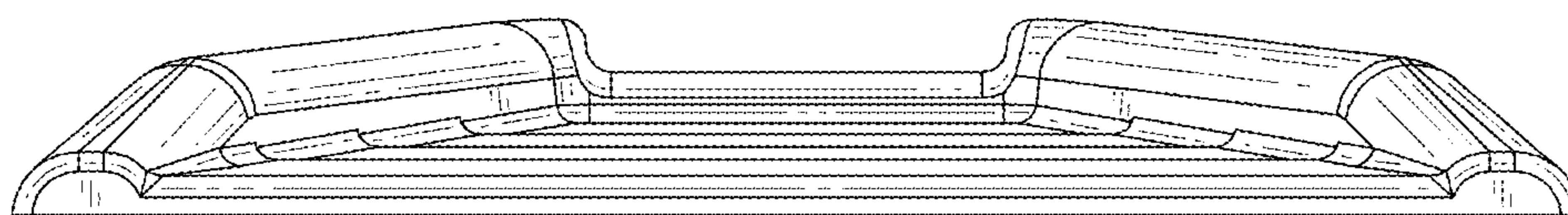




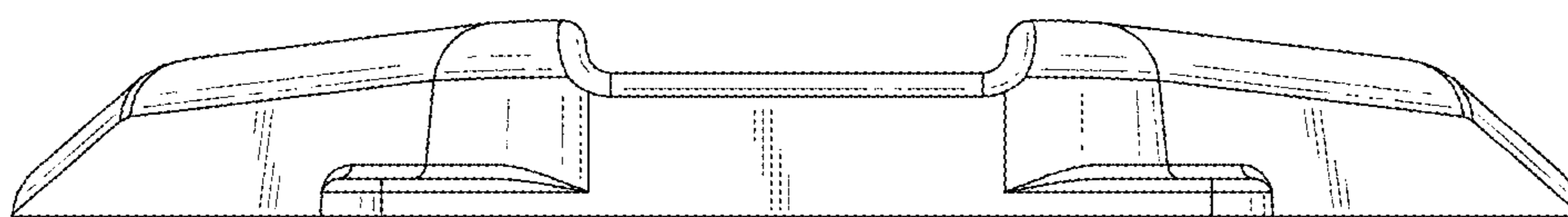
*FIG. 1*



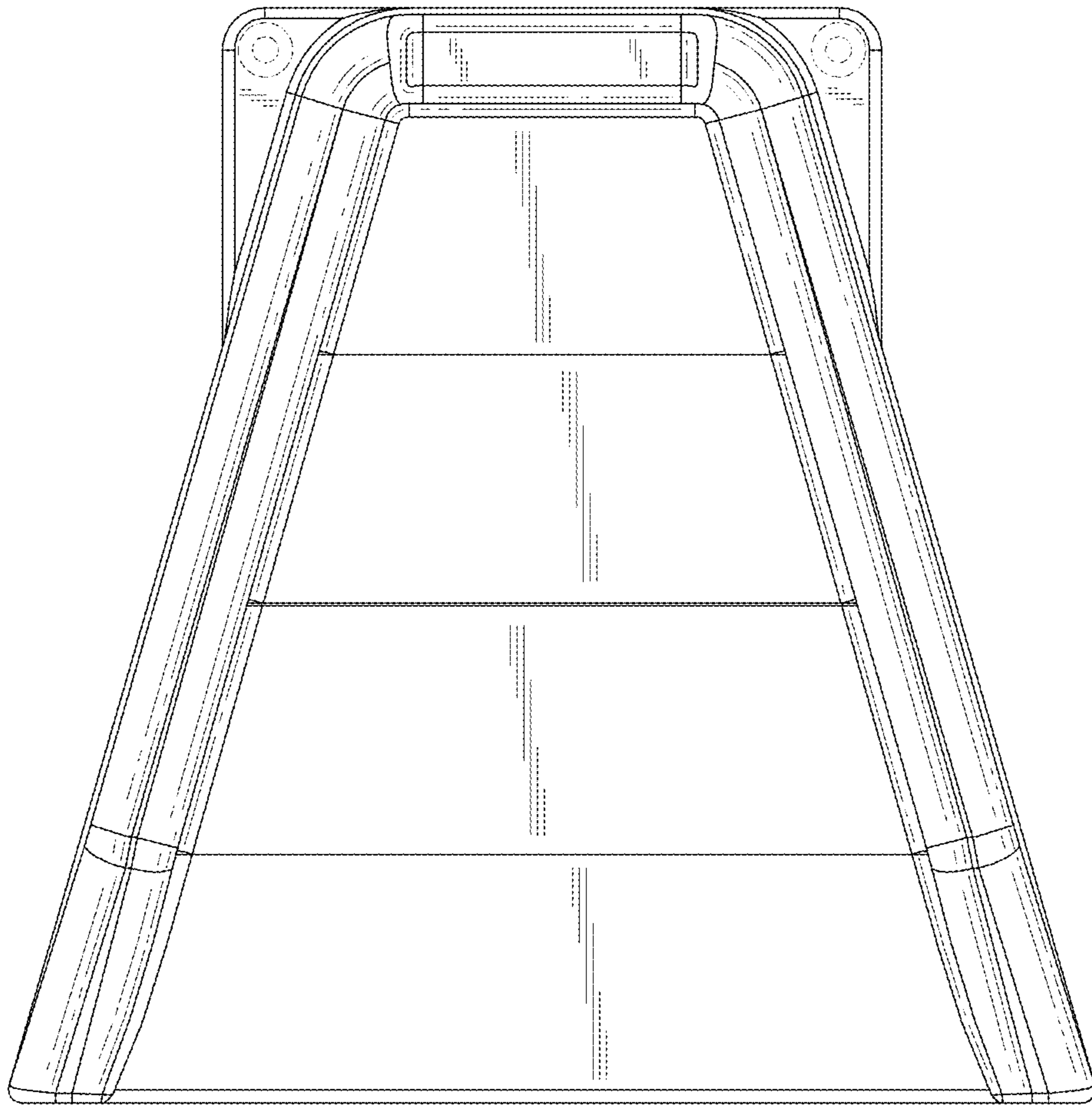
*FIG. 2*



*FIG. 3*



*FIG. 4*



*FIG. 5*