



US00D890363S

(12) **United States Design Patent**  
**Nelson et al.**

(10) **Patent No.:** **US D890,363 S**  
(45) **Date of Patent:** **\*\* Jul. 14, 2020**

(54) **LID OF AN ELECTROPHORESIS TANK**

FOREIGN PATENT DOCUMENTS

(71) Applicant: **LIFE TECHNOLOGIES CORPORATION**, Carlsbad, CA (US)

EP 2470891 12/2014  
WO 1998/025136 6/1998

(Continued)

(72) Inventors: **Paul Nelson**, Encinitas, CA (US);  
**Syrus Jaffe**, Carlsbad, CA (US);  
**Shimon Spector**, Matan (IL)

OTHER PUBLICATIONS

(73) Assignee: **LIFE TECHNOLOGIES CORPORATION**, Carlsbad, CA (US)

Bio-Rad Laboratories, "Automating electrophoresis with the new Experion (TM) System", BioRadiations, vol. 115, Jan. 1, 2005, 2-3.  
(Continued)

(\*\*) Term: **15 Years**

*Primary Examiner* — Wan Laymon

(21) Appl. No.: **29/664,267**

(22) Filed: **Sep. 24, 2018**

(57) **CLAIM**

**Related U.S. Application Data**

The ornamental design for a lid of an electrophoresis tank, as shown and described.

(60) Division of application No. 29/609,950, filed on Jul. 7, 2017, now Pat. No. Des. 832,458, which is a division of application No. 29/518,256, filed on Feb. 20, 2015, now Pat. No. Des. 794,823, which is a continuation-in-part of application No. 29/468,460, filed on Sep. 30, 2013, now abandoned, and a division of application No. 29/423,588, filed on Jun. 1, 2012, now Pat. No. Des. 698,037, and a continuation of  
(Continued)

**DESCRIPTION**

(51) **LOC (12) Cl.** ..... **24-99**

(52) **U.S. Cl.**  
USPC ..... **D24/233**

(58) **Field of Classification Search**  
USPC ..... D24/231-233, 216; D30/107; D10/81  
CPC ..... G01N 27/44704; G01N 27/44756; G01N 27/447; B01D 57/02  
See application file for complete search history.

FIG. 1 is a front, top and side perspective view of a lid of an electrophoresis tank, according to an exemplary embodiment;  
FIG. 2 is a front view of the lid of the electrophoresis tank of FIG. 1;  
FIG. 3 is a back view of the lid of the electrophoresis tank of FIG. 1;  
FIG. 4 is a right side view of the lid of the electrophoresis tank of FIG. 1;  
FIG. 5 is a left side view of the lid of the electrophoresis tank of FIG. 1;  
FIG. 6 is a top view of the lid of the electrophoresis tank of FIG. 1; and,  
FIG. 7 is a bottom view of the lid of the electrophoresis tank of FIG. 1.

The broken lines shown in the figures are included for the purpose of illustrating portions of the lid of an electrophoresis tank and form no part of the claimed design.

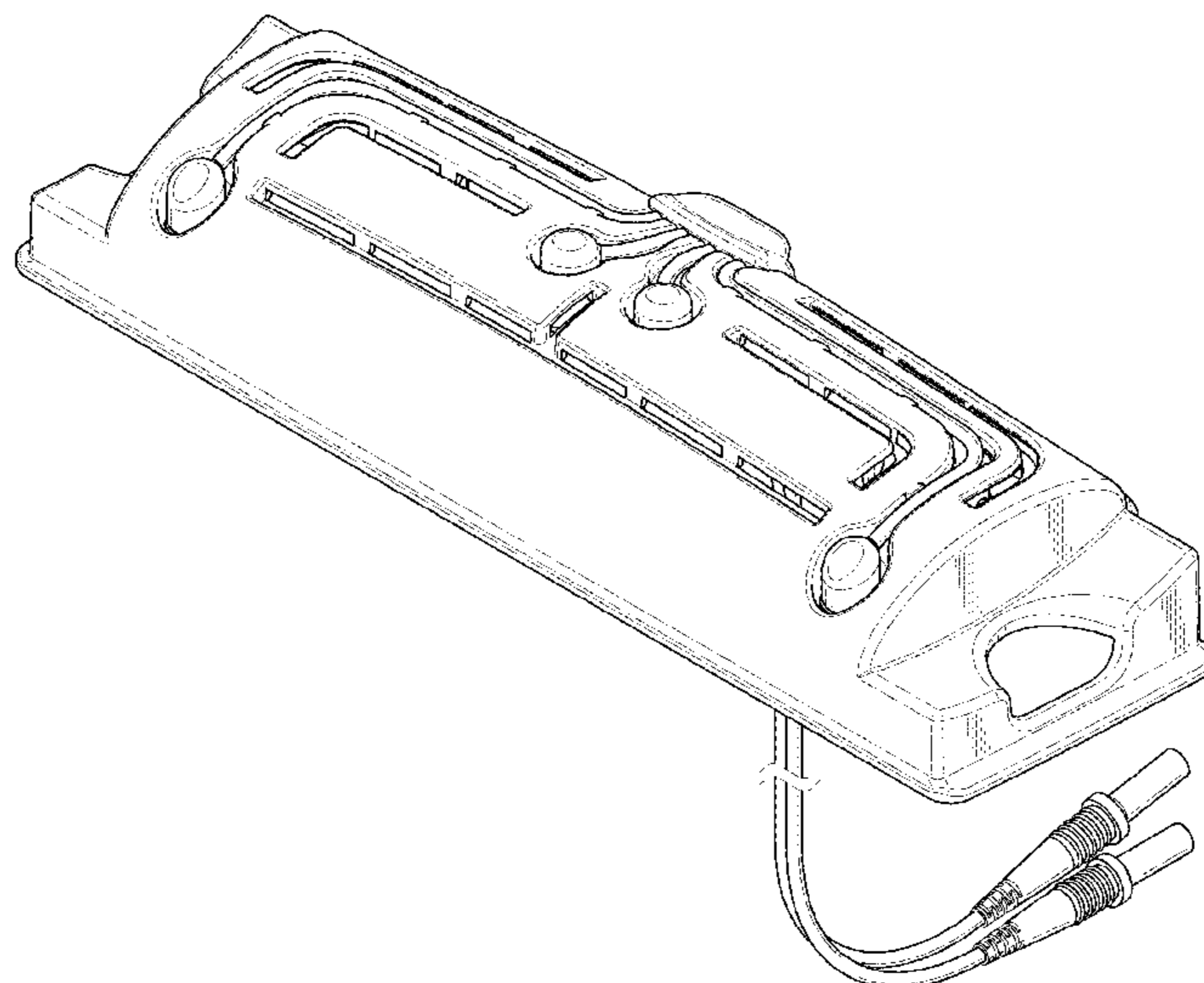
(56) **References Cited**

**U.S. PATENT DOCUMENTS**

3,620,947 A 11/1971 Allen et al.  
D231,609 S 5/1974 Broek et al.

(Continued)

**1 Claim, 7 Drawing Sheets**



**Related U.S. Application Data**

application No. 12/862,333, filed on Aug. 24, 2010, now abandoned, and a continuation of application No. 12/862,460, filed on Aug. 24, 2010, now abandoned, and a continuation of application No. 29/388,827, filed on Apr. 1, 2011, now Pat. No. Des. 667,134.

(56)

**References Cited**

U.S. PATENT DOCUMENTS

3,902,987 A \* 9/1975 Cawley ..... G01N 27/44756  
422/82.01

4,164,464 A 8/1979 Allington et al.  
4,557,131 A 12/1985 Wagner et al.  
D282,352 S 1/1986 Hofer et al.  
4,574,040 A 3/1986 Delony et al.  
4,608,146 A 8/1986 Penaluna  
4,772,373 A 9/1988 Ebata et al.  
4,773,984 A 9/1988 Flesher et al.  
4,810,348 A 3/1989 Sarrine et al.  
4,830,725 A 5/1989 Berninger et al.  
D303,007 S 8/1989 Flesher et al.  
D315,951 S 4/1991 Berninger et al.  
D315,952 S 4/1991 Berninger et al.  
5,147,522 A 9/1992 Sarrine et al.  
5,284,565 A 2/1994 Chu et al.  
5,318,682 A 6/1994 Singer  
5,407,552 A \* 4/1995 Lebacq ..... B01D 57/02  
204/619

5,460,709 A 10/1995 Sarrine et al.  
5,569,369 A 10/1996 Leffler  
5,626,735 A 5/1997 Chu et al.  
5,627,022 A 5/1997 Renfrew et al.  
5,632,877 A 5/1997 Van Atta  
5,656,145 A 8/1997 Nguyen et al.  
5,685,967 A 11/1997 Manis et al.  
5,717,602 A 2/1998 Kenning  
5,785,835 A 7/1998 Saito et al.  
5,799,773 A 9/1998 Heffelfinger et al.  
5,800,691 A 9/1998 Kozulic  
5,891,314 A 4/1999 Heffelfinger et al.  
5,897,760 A 4/1999 Heffelfinger et al.  
5,949,899 A 9/1999 Ng  
5,951,838 A 9/1999 Heffelfinger et al.  
5,993,628 A 11/1999 Selby et al.  
6,063,250 A 5/2000 Becker et al.  
6,068,754 A 5/2000 Koh  
RE36,826 E 8/2000 Fujimiya et al.  
D430,304 S 8/2000 Oonuma et al.  
6,139,709 A 10/2000 Scott  
6,162,342 A 12/2000 Perez et al.  
D443,068 S 5/2001 Manusu  
6,231,813 B1 5/2001 Ally et al.  
6,298,874 B1 10/2001 Anderson et al.  
6,413,402 B1 7/2002 Manusu  
6,878,257 B2 4/2005 Mausu  
D505,729 S 5/2005 Lee

D516,733 S 3/2006 Pedraza et al.  
D524,948 S 7/2006 Pedraza et al.  
D564,378 S 3/2008 Kaushal et al.  
D564,924 S 3/2008 Kaushal et al.  
7,601,251 B2 10/2009 Rooney  
7,763,156 B2 \* 7/2010 Jean ..... G01N 27/44704  
204/616

8,092,665 B2 1/2012 Jackson  
D667,134 S 9/2012 Updyke et al.  
D698,037 S 1/2014 Nelson et al.  
9,097,663 B2 8/2015 Updyke et al.  
D757,958 S \* 5/2016 Murray ..... D24/233  
9,714,918 B2 7/2017 Updyke et al.

2002/0079222 A1 6/2002 Sevigny et al.  
2003/0157720 A1 8/2003 Li  
2003/0168339 A1 9/2003 Audeh et al.  
2003/0207271 A1 11/2003 Holwitt et al.  
2004/0031687 A1 \* 2/2004 Chiou ..... G01N 27/44704  
204/600

2004/0033591 A1 2/2004 Lubman et al.  
2004/0036036 A1 2/2004 Atkinson et al.  
2005/0089930 A1 4/2005 Schneider et al.  
2005/0103633 A1 5/2005 Tseng  
2005/0213093 A1 9/2005 Nordman et al.  
2006/0032747 A1 2/2006 Anderson et al.  
2006/0176461 A1 8/2006 Sekine  
2006/0176481 A1 8/2006 Forest et al.  
2007/0045118 A1 3/2007 Maruo et al.  
2007/0102298 A1 5/2007 Riveron Rojas et al.  
2007/0278102 A1 12/2007 Hayashida et al.  
2007/0284250 A1 12/2007 Magnant et al.  
2008/0142365 A1 6/2008 Kober et al.  
2008/0272002 A1 11/2008 Johansen et al.  
2010/0326829 A1 \* 12/2010 Wang ..... G01N 27/44756  
204/465

2010/0326830 A1 \* 12/2010 Wang ..... G01N 27/44704  
204/466

2011/0042213 A1 2/2011 Updyke et al.  
2011/0042217 A1 2/2011 Updyke et al.  
2011/0114487 A1 5/2011 Schmidt et al.  
2012/0247958 A1 10/2012 Updyke et al.  
2013/0175172 A1 7/2013 Updyke et al.

FOREIGN PATENT DOCUMENTS

WO 2011/025781 3/2011  
WO 2011/028532 3/2011

OTHER PUBLICATIONS

Phywe, "Electrophoresis chamber, Vertical. Product No. 35018-20", <http://www.phywe.com/461/apg/360/pid/27438/Elektrophorese-Kammer,-vertikal-htm>., Feb. 13, 2013.  
Sigma-Aldrich Co. LLC, "TV 100 mini vertical electrophoresis unit for pre-case gels", <http://www.sigmaaldrich.com/catalog/product/sigma/z649759?lang=en&region=US>., Feb. 13, 2013.

\* cited by examiner



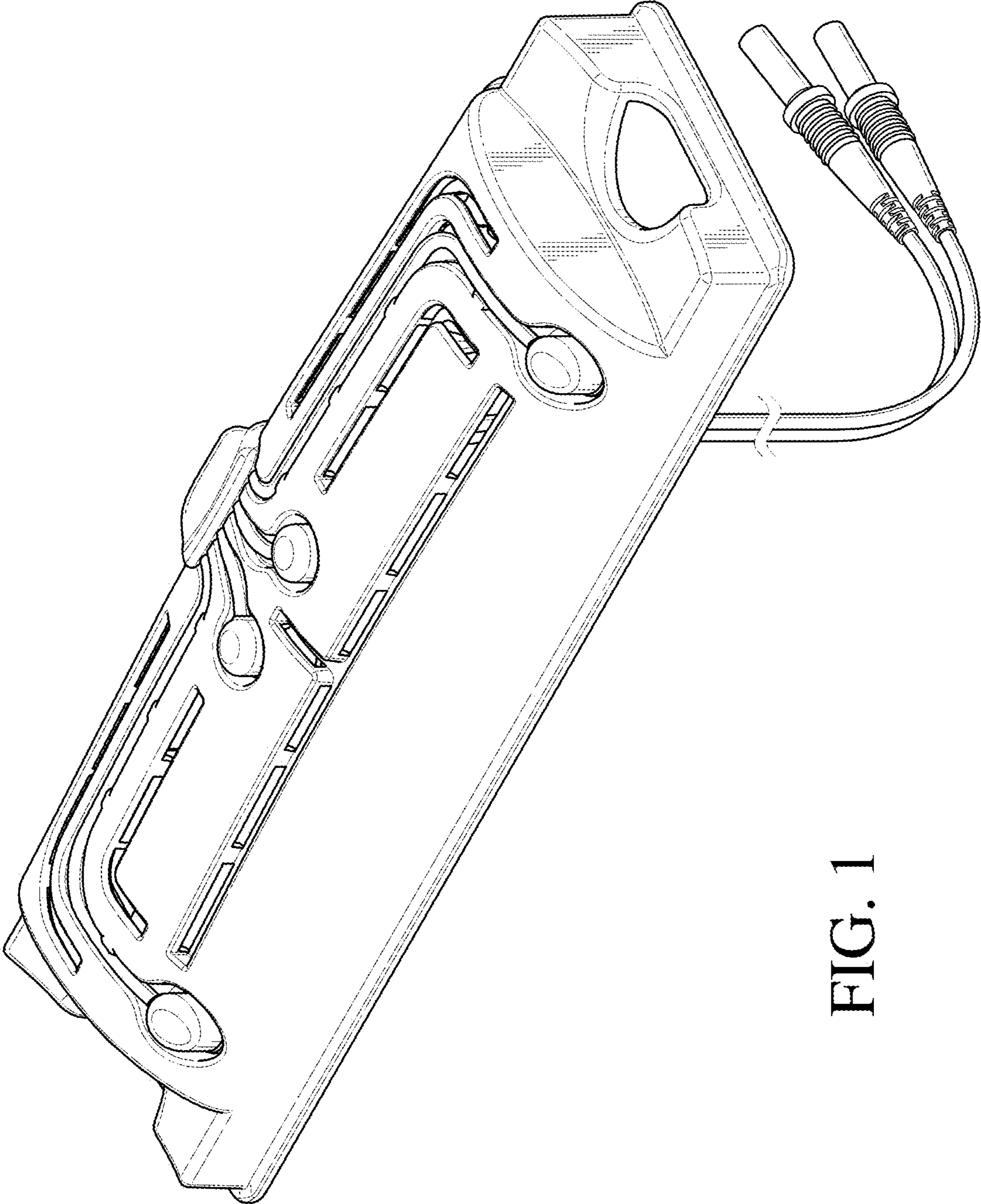


FIG. 1

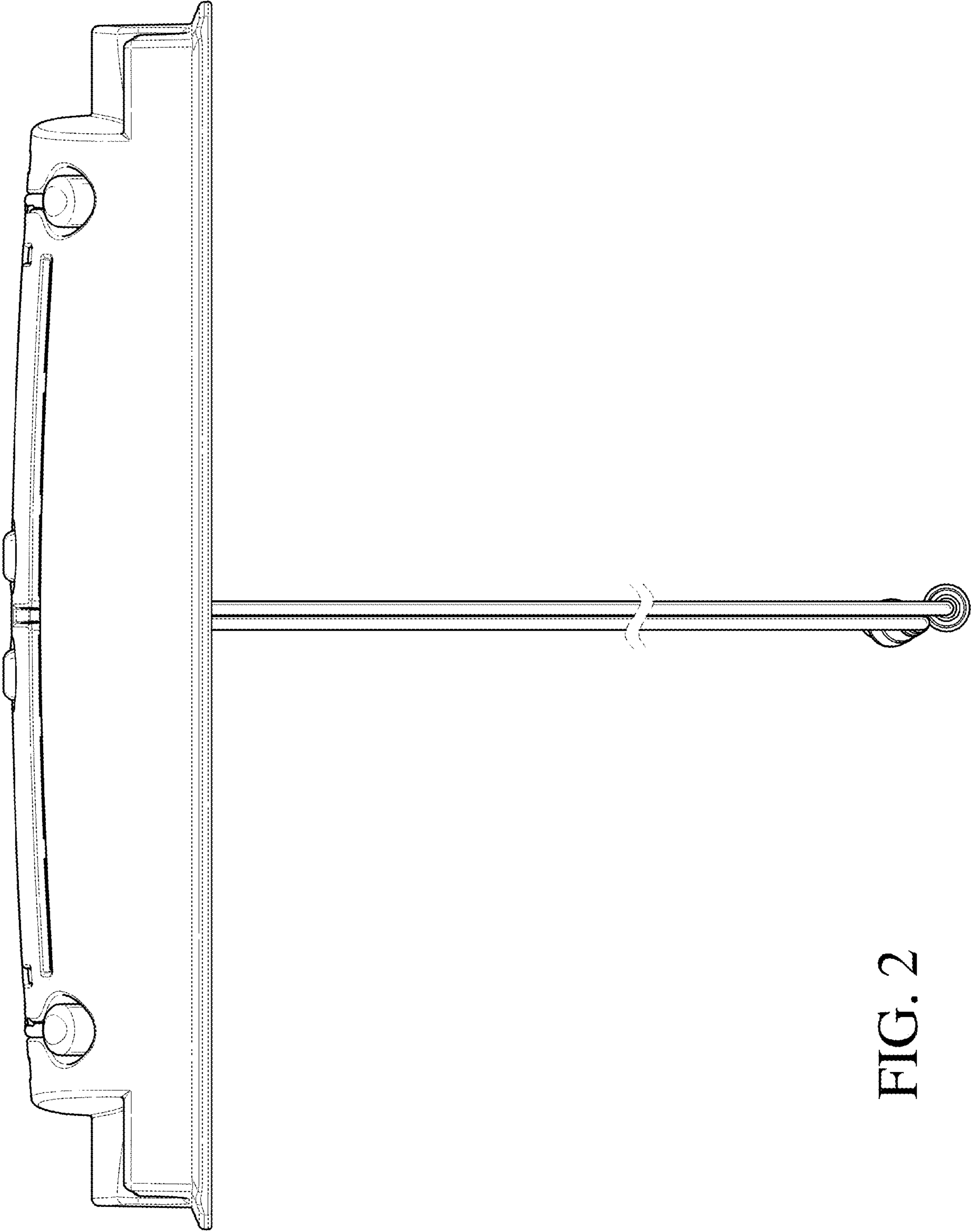


FIG. 2

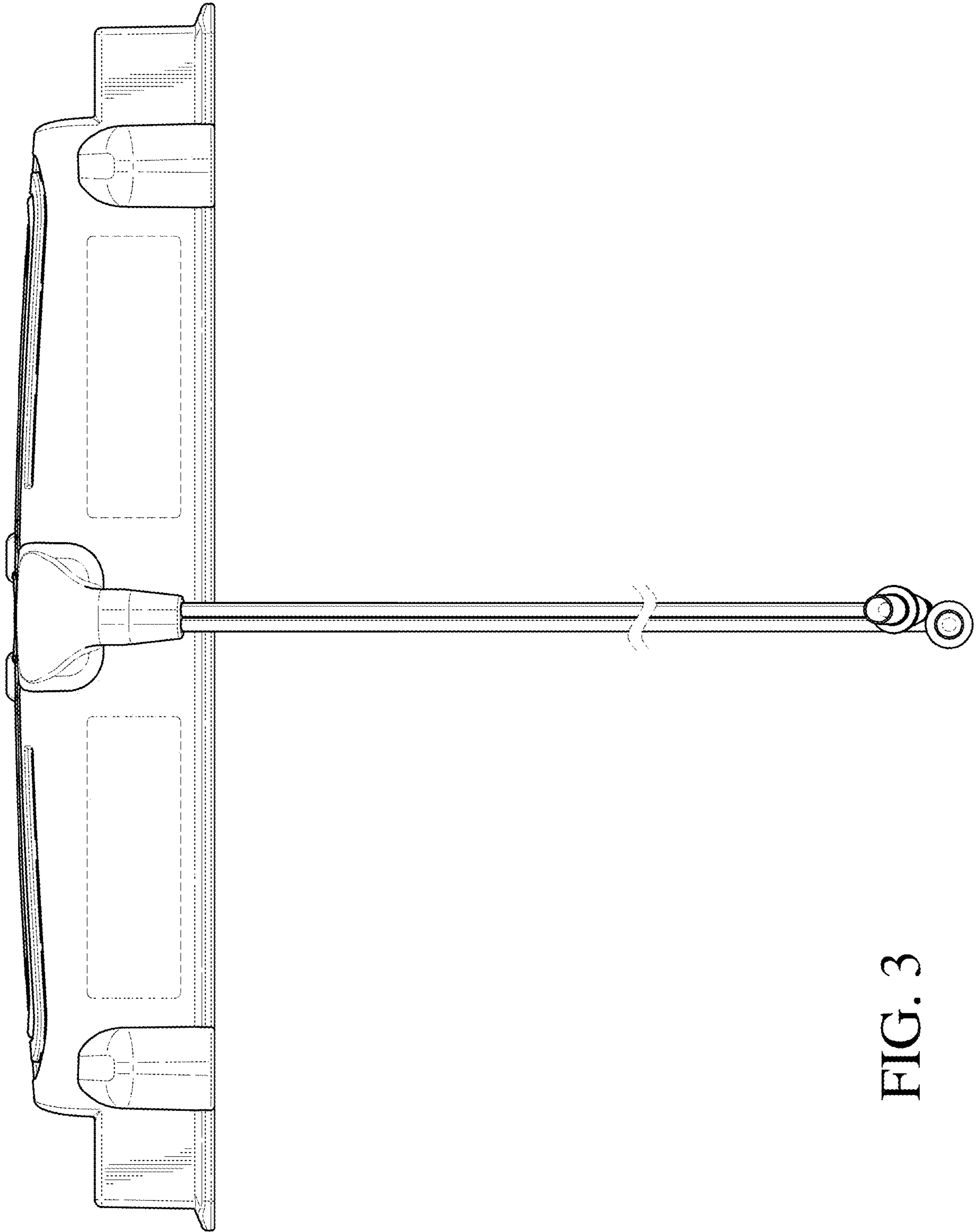
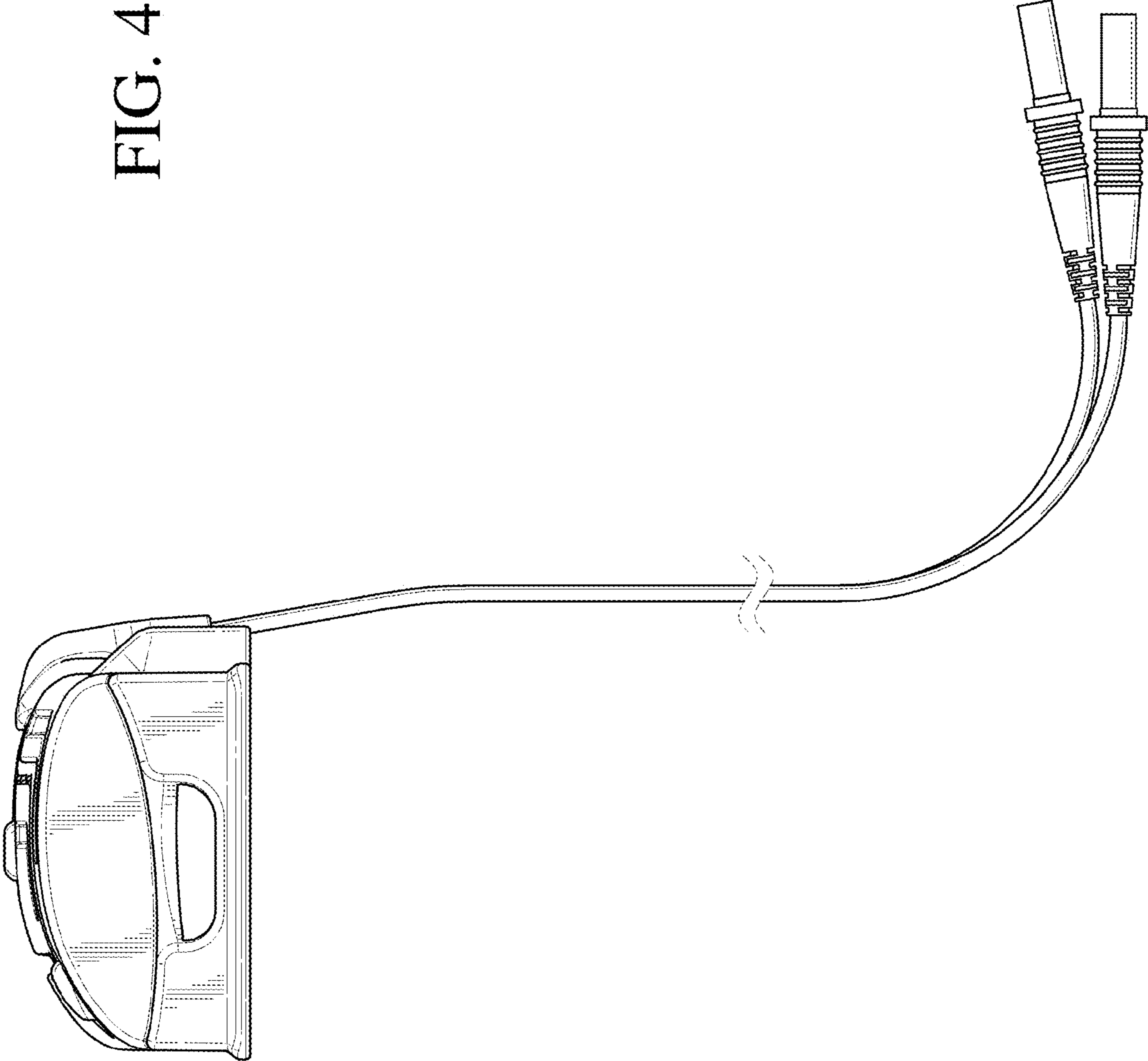


FIG. 3

FIG. 4



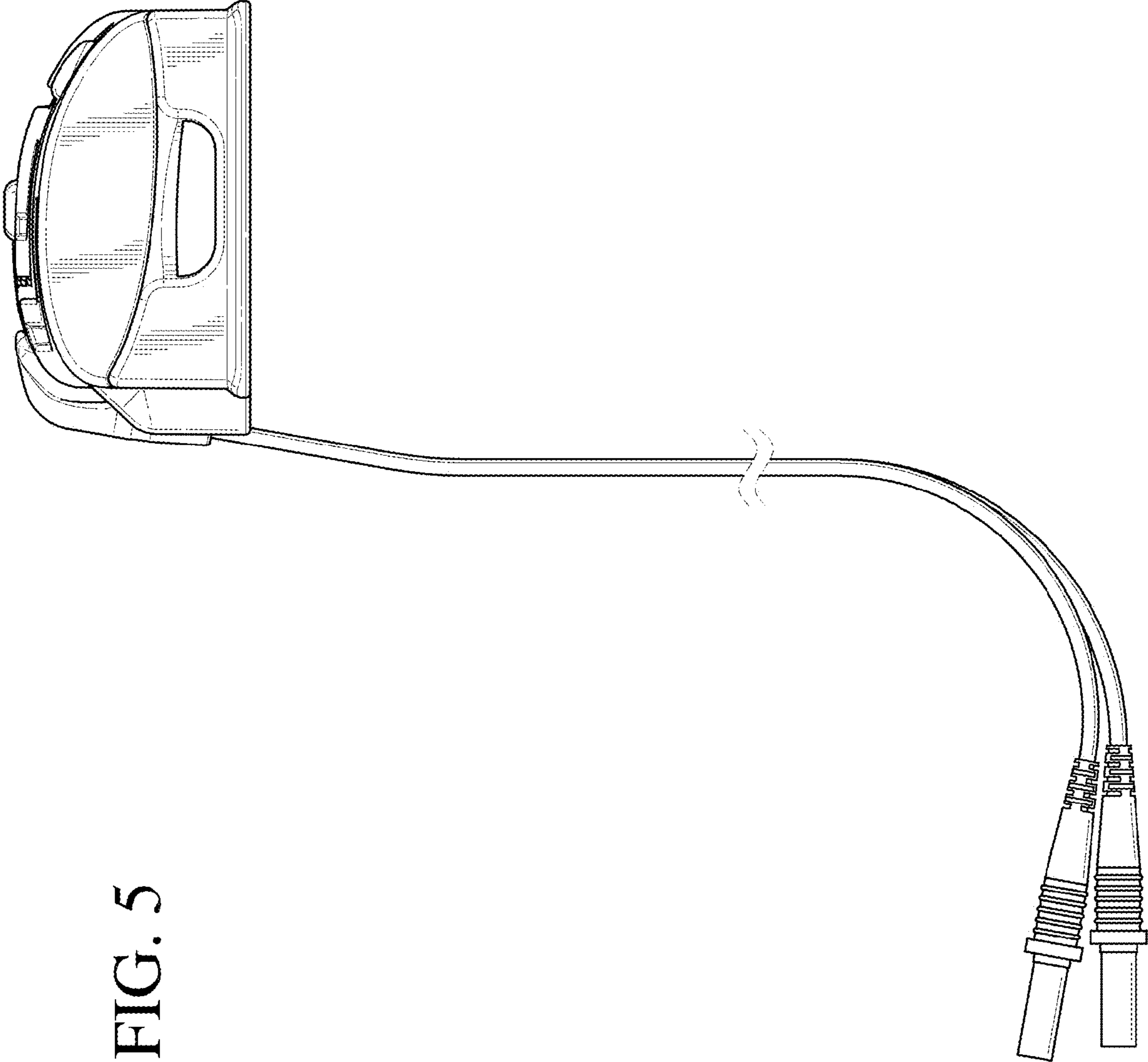


FIG. 5

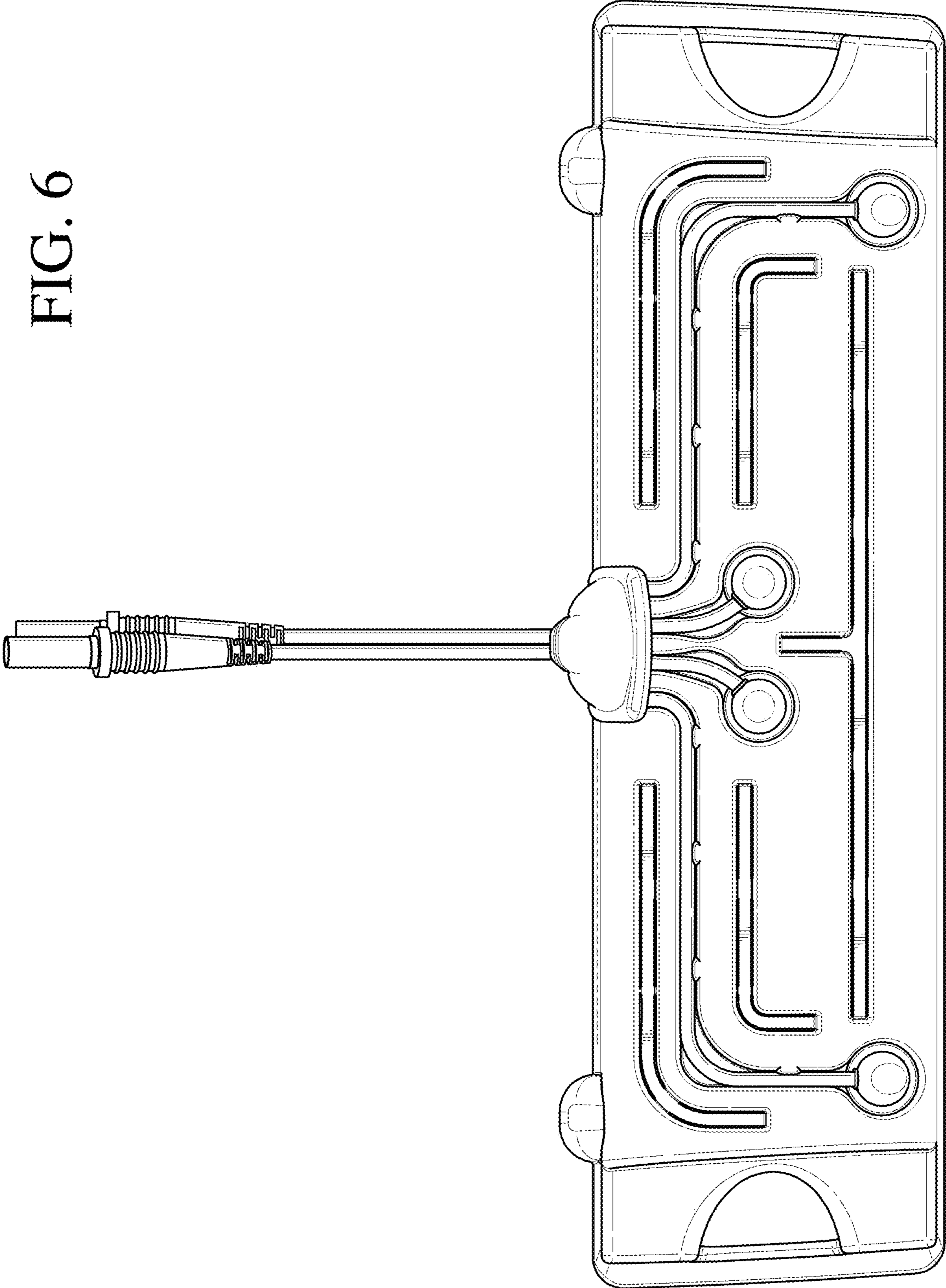


FIG. 6



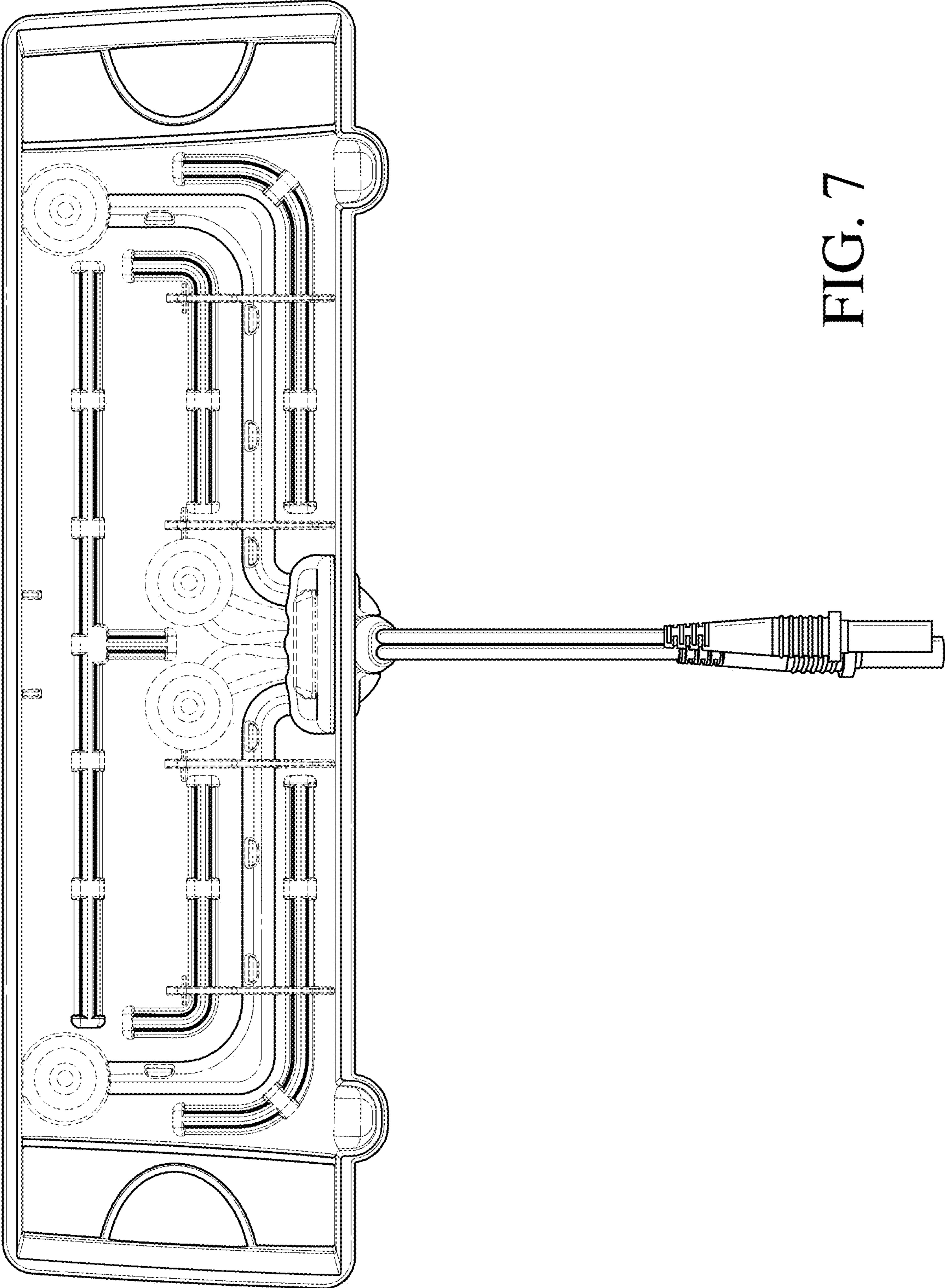


FIG. 7