



US00D890359S

(12) **United States Design Patent** (10) **Patent No.:** **US D890,359 S**
Jackson et al. (45) **Date of Patent:** **** Jul. 14, 2020**

(54) **FALSE BOTTOM TUBE WITH CAP AND PLUG**

(71) Applicant: **DNA Genotek Inc.**, Kanata (CA)

(72) Inventors: **Adele Jackson**, Stittsville (CA); **Rafal Michal Iwaszow**, Ottawa (CA); **Jonathan David Liberty**, Toronto (CA); **Lawrence Dickson**, Almonte (CA); **Kenneth Oscar Olson**, Ottawa (CA)

(73) Assignee: **DNA Genotek Inc.** (CA)

(**) Term: **15 Years**

(21) Appl. No.: **29/676,426**

(22) Filed: **Jan. 10, 2019**

Related U.S. Application Data

(62) Division of application No. 29/574,966, filed on Aug. 19, 2016, now Pat. No. Des. 850,647.

(51) **LOC (12) Cl.** **24-02**

(52) **U.S. Cl.**
USPC **D24/224**

(58) **Field of Classification Search**
USPC D24/107, 108, 113, 114, 121, 133, 184,
D24/186, 216, 222, 224, 225, 226, 227,
D24/228, 229, 230, 231, 233

(Continued)

(56) **References Cited**

U.S. PATENT DOCUMENTS

D244,555 S 5/1977 Wiedmann
4,140,489 A * 2/1979 Lee B01L 3/5082
215/6

(Continued)

OTHER PUBLICATIONS

DNA Genotek's Blog. [online] Published on Oct. 17, 2011. Retrieved Jul. 5, 2018 from URL: <http://blog.dnagenotek.com/topic/dna->

identification (Cited reference and identification thereof obtained from the Notice of References Cited by Examiner in parent application U.S. Appl. No. 29/574,966, dated Sep. 7, 2018).

(Continued)

Primary Examiner — Vy N Koenig
(74) *Attorney, Agent, or Firm* — Cook Alex Ltd.

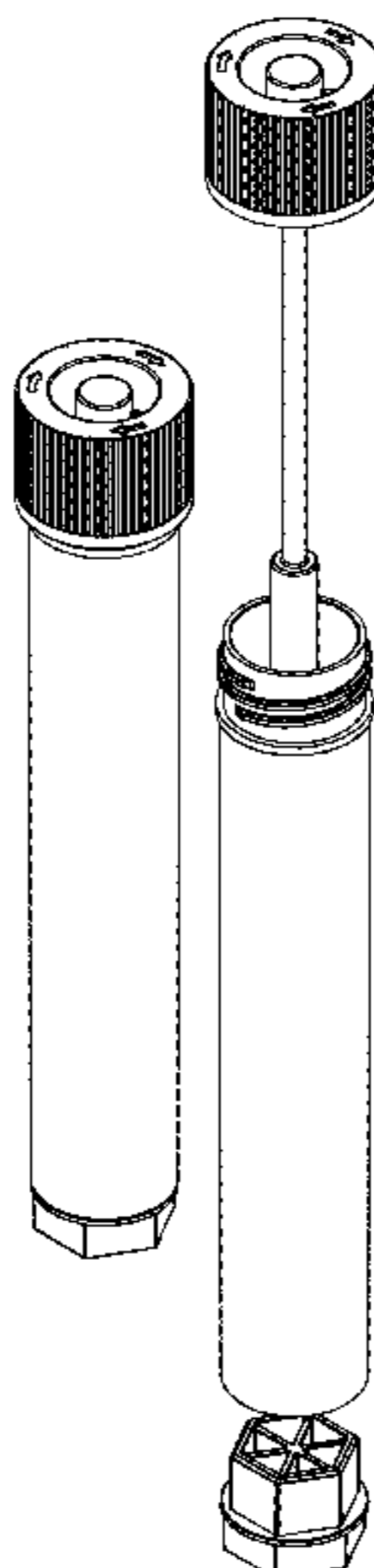
(57) **CLAIM**

The ornamental design for a false bottom tube with cap and plug, as shown and described.

DESCRIPTION

FIG. 1 is a front view of the false bottom tube with cap and plug illustrating the present design, with the back view being identical;
FIG. 2 is a top view of the false bottom tube with cap and plug as shown in FIG. 1;
FIG. 3 is a bottom view of the false bottom tube with cap and plug as shown in FIG. 1;
FIG. 4 is a left side view of the false bottom tube with cap and plug as shown in FIG. 1;
FIG. 5 is a cross-sectional view through line 5-5 of the false bottom tube with cap and plug as shown in FIG. 4;
FIG. 6 is a right side view of the false bottom tube with cap and plug illustrating the present design as shown in FIG. 1;
FIG. 7 is a cross-sectional view through line 7-7 of the false bottom tube with cap and plug as shown in FIG. 6;
FIG. 8 is a perspective view of the false bottom tube with cap and plug illustrating the present design as shown in FIG. 1;
FIG. 9 is a perspective exploded view of the false bottom tube with cap and plug and swab illustrating the present design as shown in FIG. 1; and,
FIG. 10 is a perspective exploded view of the false bottom tube with cap and plug shown in FIG. 1, with the swab removed.

1 Claim, 10 Drawing Sheets



(58) **Field of Classification Search**
 CPC B01F 13/0025; B01J 2219/00292; B01J
 2220/64; B01L 3/14
 See application file for complete search history.

D850,647 S * 6/2019 Jackson D24/224
 D851,754 S * 6/2019 Boyaval D24/113
 D852,375 S * 6/2019 Druga, Sr. D24/224
 2012/0048827 A1 3/2012 Levin
 2017/0072393 A1 3/2017 Jackson

(56) **References Cited**

U.S. PATENT DOCUMENTS

D252,612 S 8/1979 Mull
 D255,092 S 5/1980 Wong
 4,832,917 A * 5/1989 Elliott B01L 3/5082
 215/373
 D344,804 S 3/1994 Muniz
 5,384,096 A * 1/1995 Burns A61B 5/150022
 215/295
 D357,985 S * 5/1995 Burns D24/224
 D385,793 S * 11/1997 Marsal D24/224
 D432,245 S 10/2000 Stevens
 D445,908 S * 7/2001 Conway D24/216
 D457,247 S 5/2002 Iheme
 6,471,069 B2 * 10/2002 Lin B01L 3/5021
 210/359
 6,562,300 B2 * 5/2003 Rosen A61M 25/0612
 215/211
 6,893,612 B2 5/2005 Kacian
 D529,817 S 10/2006 Francavilla
 D627,081 S 11/2010 Giraud
 D640,797 S 6/2011 Wilkinson
 8,034,272 B2 * 10/2011 Pavlovic B01L 3/50825
 264/153
 D667,960 S * 9/2012 Wilkinson D24/224
 8,287,821 B2 * 10/2012 Nakahana B01L 3/5082
 215/6
 8,881,988 B2 * 11/2014 Miceli B65D 41/04
 215/219
 D743,571 S 11/2015 Jackson
 D755,957 S * 5/2016 Larson D24/121
 D843,008 S * 3/2019 Blaszcak D24/224

OTHER PUBLICATIONS

PD-BR-017. [online] Published on Dec. 9, 2017. Retrieved Jun. 21, 2018 from URL: <https://www.dnagenotek.com/ROW/pdf/PD-BR-017.pdf> (Cited reference and identification thereof obtained from the Notice of References Cited by Examiner in parent application U.S. Appl. No. 29/574,966, dated Sep. 7, 2018).
 May 29, 2017 CA Office Action, Canadian Appl. No. 172754, 3 pages (Canadian Design No. 172754, foreign counterpart to U.S. Appl. No. 29/574,966).
 Mar. 17, 2017 IN Office Action, Indian Appl. No. 290773, 2 pages (Indian Design Reg. No. 290773, foreign counterpart to U.S. Appl. No. 29/574,966).
 Mar. 17, 2017 IN Office Action, Mar. 17, 2017, Indian Appl. No. 290774, 2 pages (Indian Design Reg. No. 290774, foreign counterpart to U.S. Appl. No. 29/574,966).
 Jun. 6, 2017 JP Office Action with English translation (JP Design No. 1584718, foreign counterpart to U.S. Appl. No. 29/574,966).
 Jun. 6, 2017 Office Action, JP Design No. 1584911 (issued); (substantive portions of Jun. 6, 2017 office actions for each of JP Design Nos. 15814718, 1584911 and 1584912 are the same; for English translation of substantive portion of JP Design No. 1584911, see English translation of Jun. 6, 2017 office action for JP Design No. 15814716).
 Jun. 6, 2017 Office Action, JP Design No. 1584912 (issued); (substantive portions of Jun. 6, 2017 office actions for each of JP Design Nos. 15814718, 1584911 and 1584912 are the same; for English translation of substantive portion of JP Design No. 1584911 see English translation of Jun. 6, 2017 office action for JP Design No. 15814718).

* cited by examiner

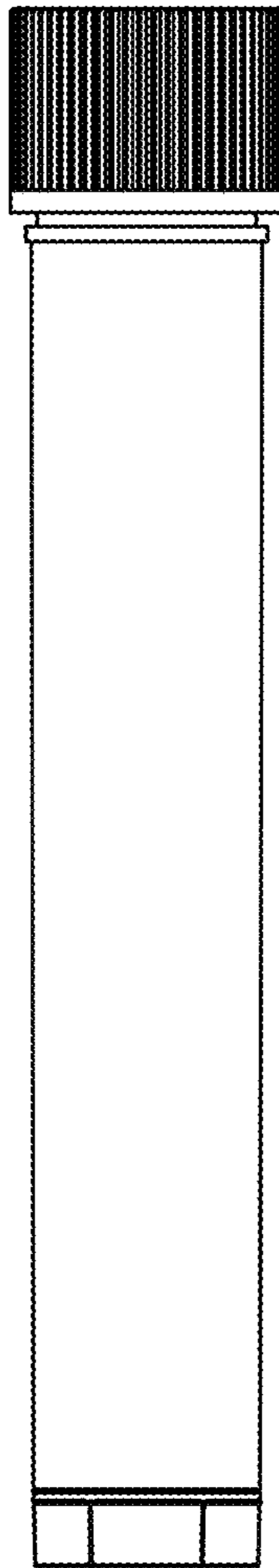


FIG. 1

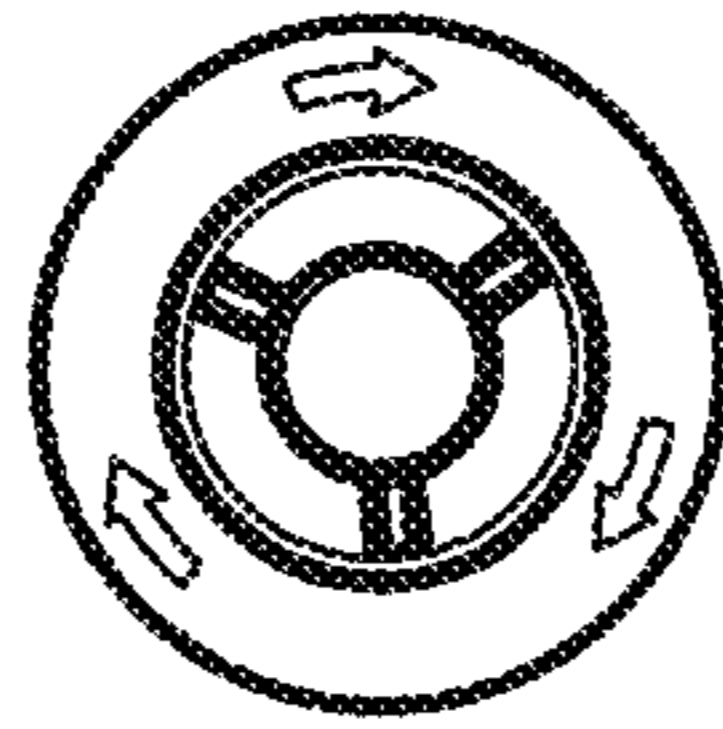


FIG. 2

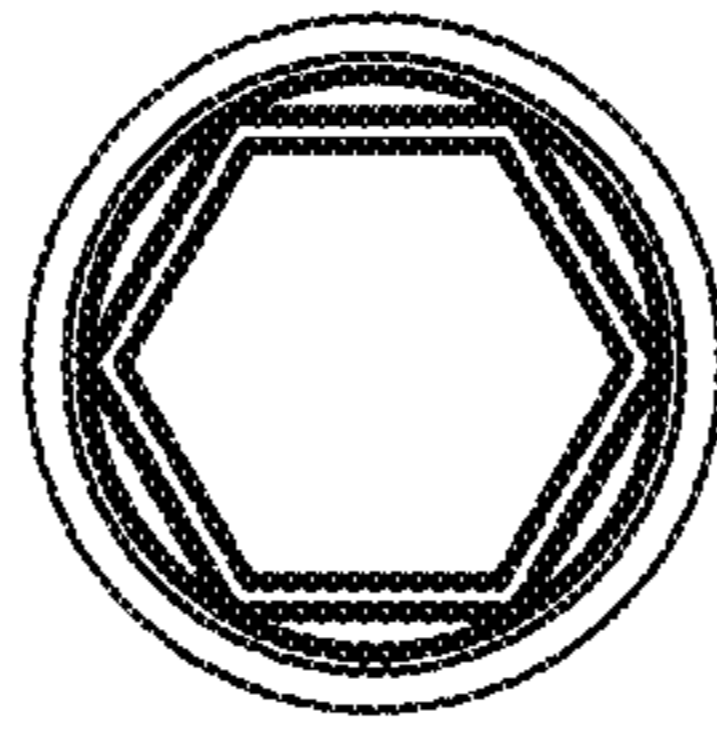


FIG. 3

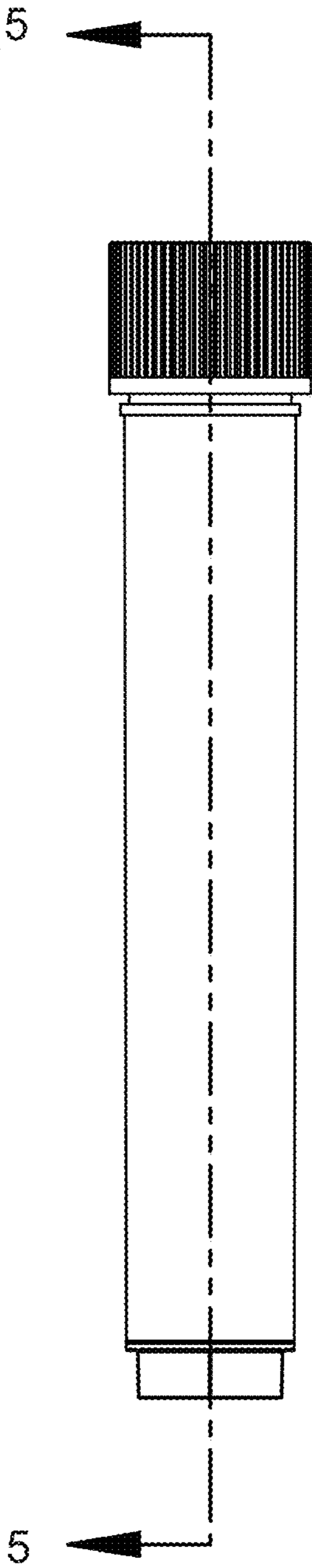


FIG. 4

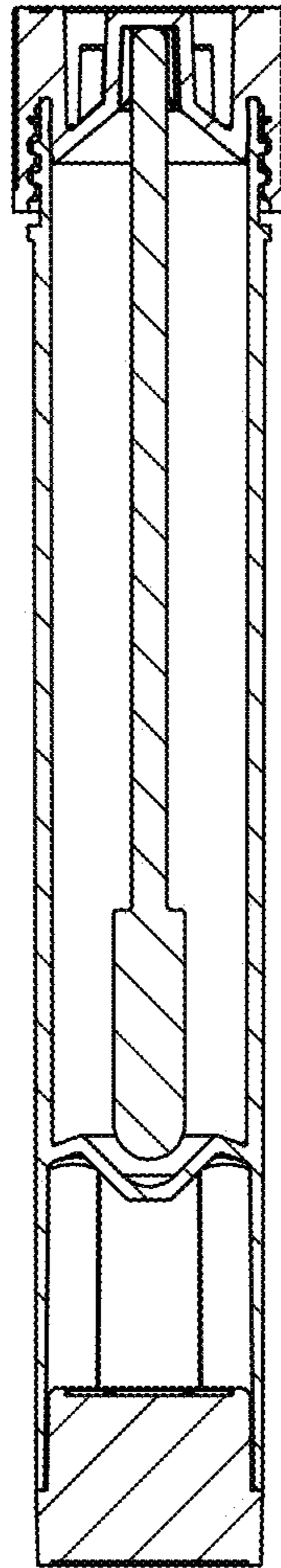


FIG. 5

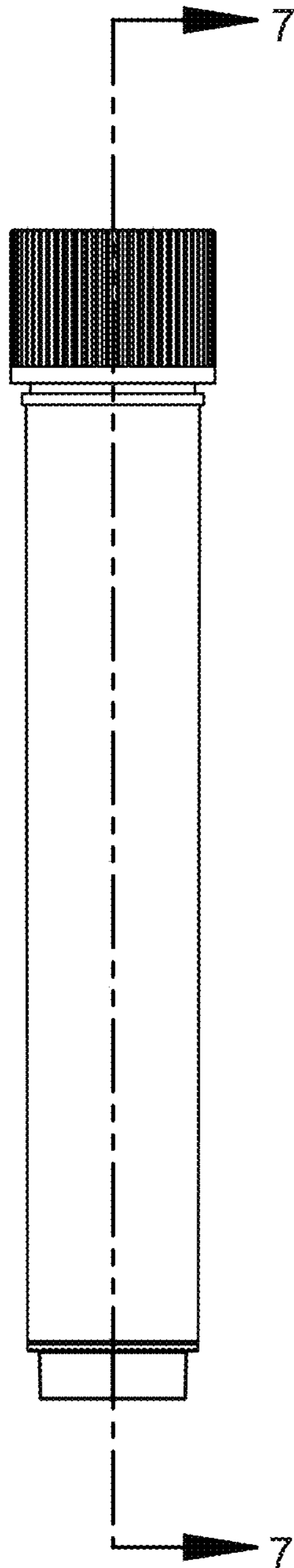


FIG. 6

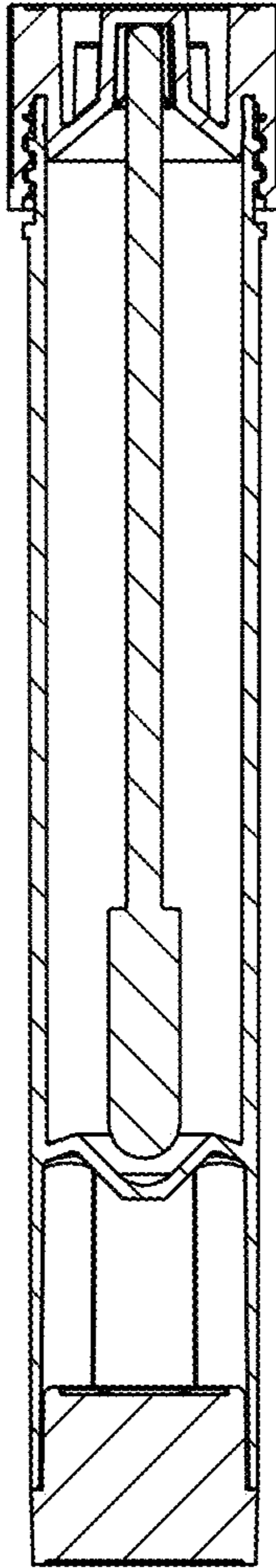


FIG. 7

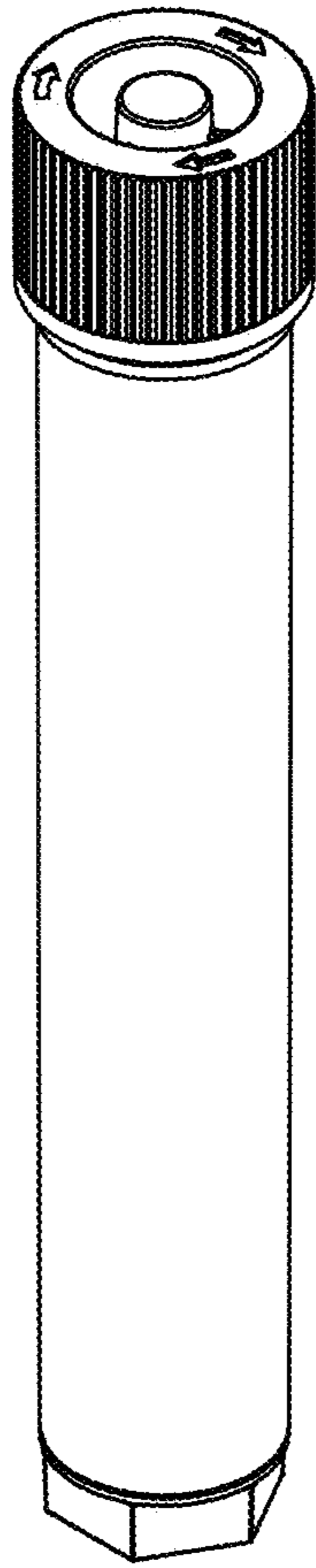


FIG. 8

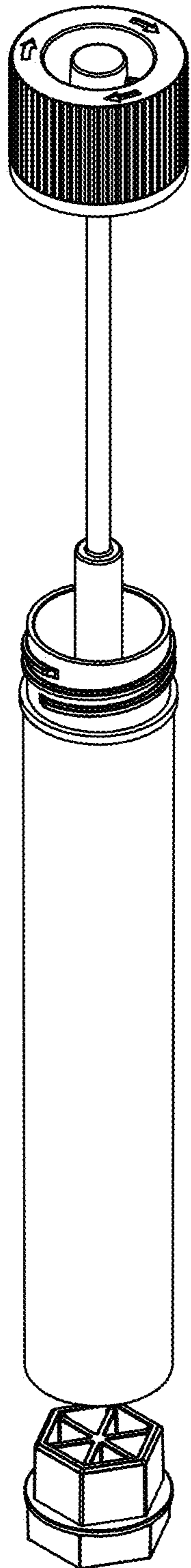


FIG. 9

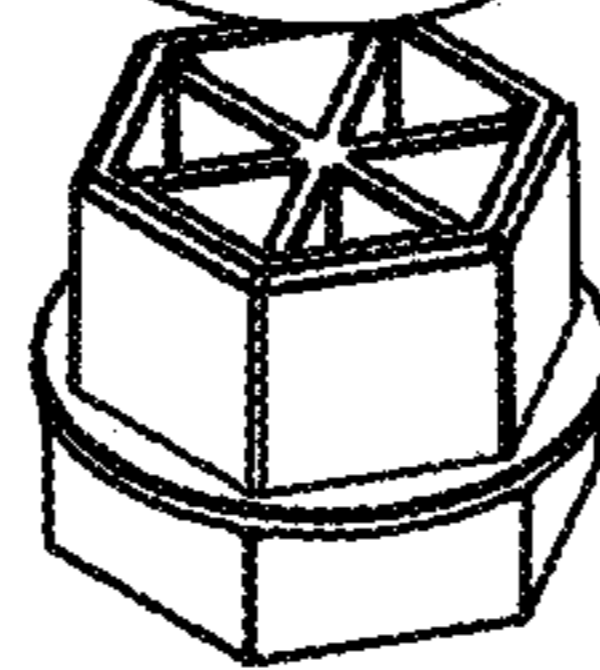
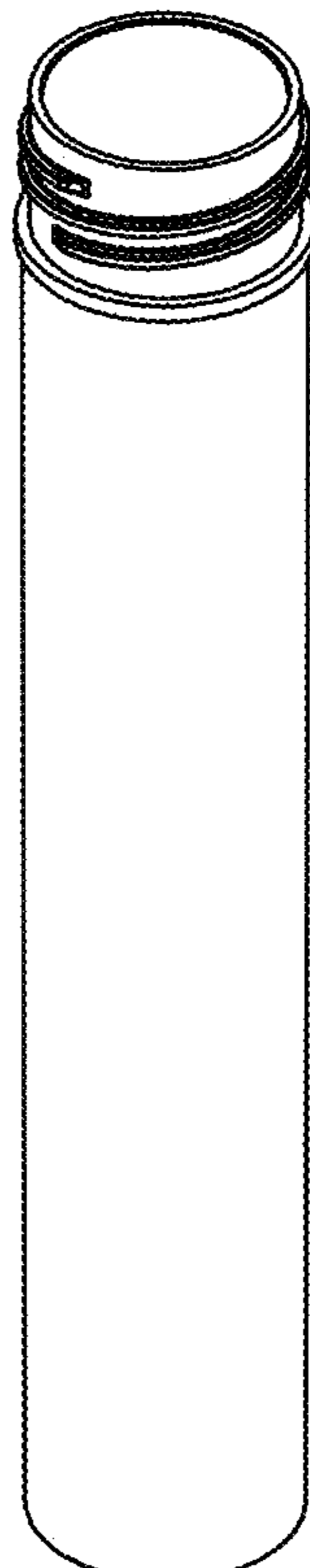
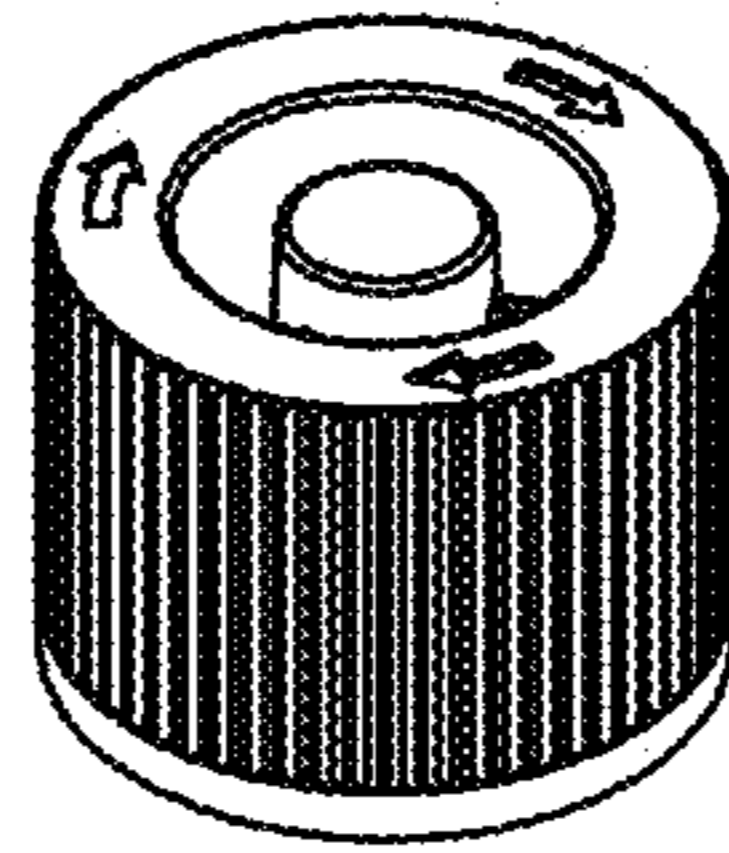


FIG. 10