



US00D890358S

(12) **United States Design Patent** (10) **Patent No.:** **US D890,358 S**  
**Jones et al.** (45) **Date of Patent:** **\*\* Jul. 14, 2020**

(54) **CONTAINER UNIT** 3,589,509 A 6/1971 Mascia et al.  
3,593,873 A 7/1971 Vonk  
(71) Applicants: **Baxalta GmbH**, Glattpark (Opfikon) 3,601,253 A 8/1971 Poupitch  
(CH); **Baxalta Incorporated**, 3,727,749 A 4/1973 Martin  
Bannockburn, IL (US) (Continued)

(72) Inventors: **Seth Dale Jones**, Round Lake, IL (US);  
**Madeleine Clare Gibson**, Madison, WI  
(US); **Daniel Edward Roush**, Niles, IL  
(US) FOREIGN PATENT DOCUMENTS  
CN 201830503853.6 \* 9/2018  
EP 0 495 808 B1 7/1992  
(Continued)

(73) Assignees: **Baxalta GmbH**, Glattpark (Opfikon)  
(CH); **Baxalta Incorporated**,  
Bannockburn, IL (US) OTHER PUBLICATIONS

(\*\*) Term: **15 Years** Tractor S.C. Online. Published date unknown. Retrieved on Jan. 9,  
2020 from URL: [https://en.wikipedia.org/wiki/Tractor\\_S.C.](https://en.wikipedia.org/wiki/Tractor_S.C.)  
(Continued)

(21) Appl. No.: **29/665,390** Primary Examiner — Susan Bennett Hattan  
Assistant Examiner — Omeed Agilee  
(74) Attorney, Agent, or Firm — Wolf, Greenfield &  
Sacks, P.C.

(22) Filed: **Oct. 3, 2018**

(51) **LOC (12) Cl.** ..... **24-02**

(52) **U.S. Cl.**  
USPC ..... **D24/224**; D9/741

(58) **Field of Classification Search**  
USPC ..... D24/107, 169, 186, 216, 223–230;  
D9/345, 434, 455, 752, 753, 517, 738,  
D9/741; D3/309, 316  
CPC ..... G01N 21/0303; B01L 3/508  
See application file for complete search history.

(56) **References Cited**

U.S. PATENT DOCUMENTS

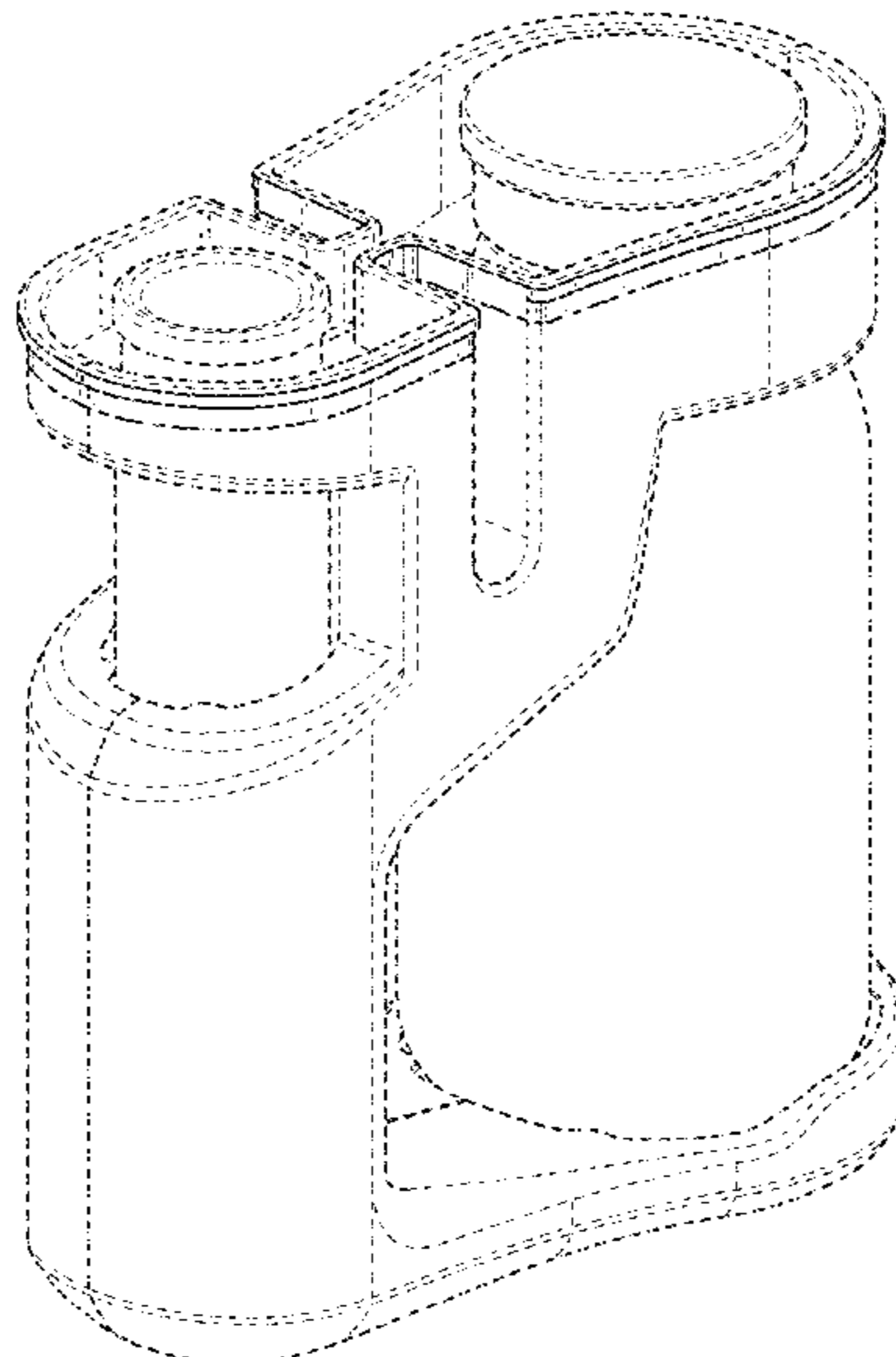
363,690 A	5/1887	Sleeper
2,080,947 A	5/1937	Ligeour
2,399,893 A	5/1946	Scholz
D159,762 S	8/1950	Touhey
2,754,962 A	7/1956	Scrymgeour
2,865,669 A	12/1958	Linthicum
2,949,204 A	8/1960	Edwards
3,278,007 A	10/1966	Weber
3,543,355 A	12/1970	Wyckoff et al.

(57) **CLAIM**  
The ornamental design for a container unit, as shown and  
described.

**DESCRIPTION**

FIG. 1 is a top, front, left side perspective view of a  
container unit;  
FIG. 2 is a front elevation view thereof;  
FIG. 3 is a rear elevation view thereof;  
FIG. 4 is a left side elevation view thereof;  
FIG. 5 is a right side elevation view thereof;  
FIG. 6 is a top plan view thereof; and,  
FIG. 7 is a bottom plan view thereof.  
The long dash-short dash lines immediately adjacent the  
shaded areas depict the bounds of the claim and form no part  
thereof. The thin dash lines and the bolded dash lines in the  
drawings depict portions of the container unit that form no  
part of the claimed design.

**1 Claim, 7 Drawing Sheets**



(56)

References Cited

U.S. PATENT DOCUMENTS

3,744,661 A 7/1973 Fischer, Jr.  
 3,876,377 A 4/1975 Cinqualbre  
 3,893,280 A 7/1975 King  
 4,143,764 A 3/1979 Moss, III  
 4,178,152 A 12/1979 Nunogaki  
 4,262,814 A 4/1981 Roccaforte  
 4,526,756 A 7/1985 Wong  
 D280,932 S 10/1985 Green  
 D283,640 S \* 4/1986 Grimes ..... D24/223  
 4,856,647 A 8/1989 Dahne  
 D306,645 S 3/1990 Parker  
 4,970,053 A 11/1990 Fechtner  
 5,005,721 A 4/1991 Jordan  
 5,009,309 A 4/1991 Hansen  
 5,040,678 A 8/1991 Lenmark, Sr. et al.  
 5,148,919 A 9/1992 Rubin  
 D355,260 S \* 2/1995 Tomasso ..... D24/224  
 5,609,248 A 3/1997 Rohrbough et al.  
 5,725,499 A 3/1998 Silverstein et al.  
 5,954,213 A 9/1999 Gerhart et al.  
 6,000,548 A 12/1999 Tsals  
 6,102,233 A 8/2000 Waugh  
 6,164,450 A 12/2000 Benedetti  
 6,213,529 B1 4/2001 Kurcz et al.  
 6,305,541 B1 10/2001 Tanner et al.  
 D457,949 S 5/2002 Krug et al.  
 6,558,628 B1 5/2003 Reo  
 6,613,283 B2 9/2003 Reo  
 6,789,828 B1 9/2004 Borg  
 6,929,474 B2 8/2005 Schenck et al.  
 7,468,049 B2 12/2008 Laveault  
 D620,603 S \* 7/2010 Talmer ..... D24/224  
 D632,802 S \* 2/2011 Salinas ..... D24/224  
 D645,973 S \* 9/2011 Hoenes ..... D24/224  
 8,684,433 B2 4/2014 Oesterle et al.  
 D769,456 S \* 10/2016 Dulaff ..... D24/224

D778,460 S \* 2/2017 Marechal ..... D24/224  
 D847,634 S \* 5/2019 Hatakeyama ..... D9/455  
 D847,974 S \* 5/2019 McNall, III ..... D24/111  
 D865,993 S 11/2019 Trump et al.  
 2005/0045495 A1 3/2005 Dalsing et al.  
 2005/0175338 A1\* 8/2005 Ide ..... G03D 3/06  
 396/647  
 2007/0267378 A1\* 11/2007 Piccinino ..... B65D 1/04  
 215/6  
 2007/0278245 A1 12/2007 Brooks et al.  
 2013/0284735 A1 10/2013 Oesterle et al.  
 2016/0266156 A1 9/2016 Brennan et al.

FOREIGN PATENT DOCUMENTS

EP 0 631 816 A1 1/1995  
 EP 0 734 963 B1 10/1996  
 FR 2 085 307 A1 12/1971  
 FR 2 715 131 A1 7/1995  
 JP 08-324571 A 12/1996  
 JP D2016-11117 5/2016  
 TW 455382 9/2001  
 TW 194378 12/2018  
 TW D194378 12/2018  
 WO WO 93/01739 A1 2/1993  
 WO WO 1996/32917 10/1996  
 WO WO 2009/083347 A1 7/2009

OTHER PUBLICATIONS

International Search Report and Written Opinion dated Jul. 26, 2013  
 in connection with International Application No. PCT/US2013/  
 036879.  
 International Preliminary Report on Patentability dated Nov. 6,  
 2014 in connection with International Application No. PCT/US2013/  
 036879.

\* cited by examiner

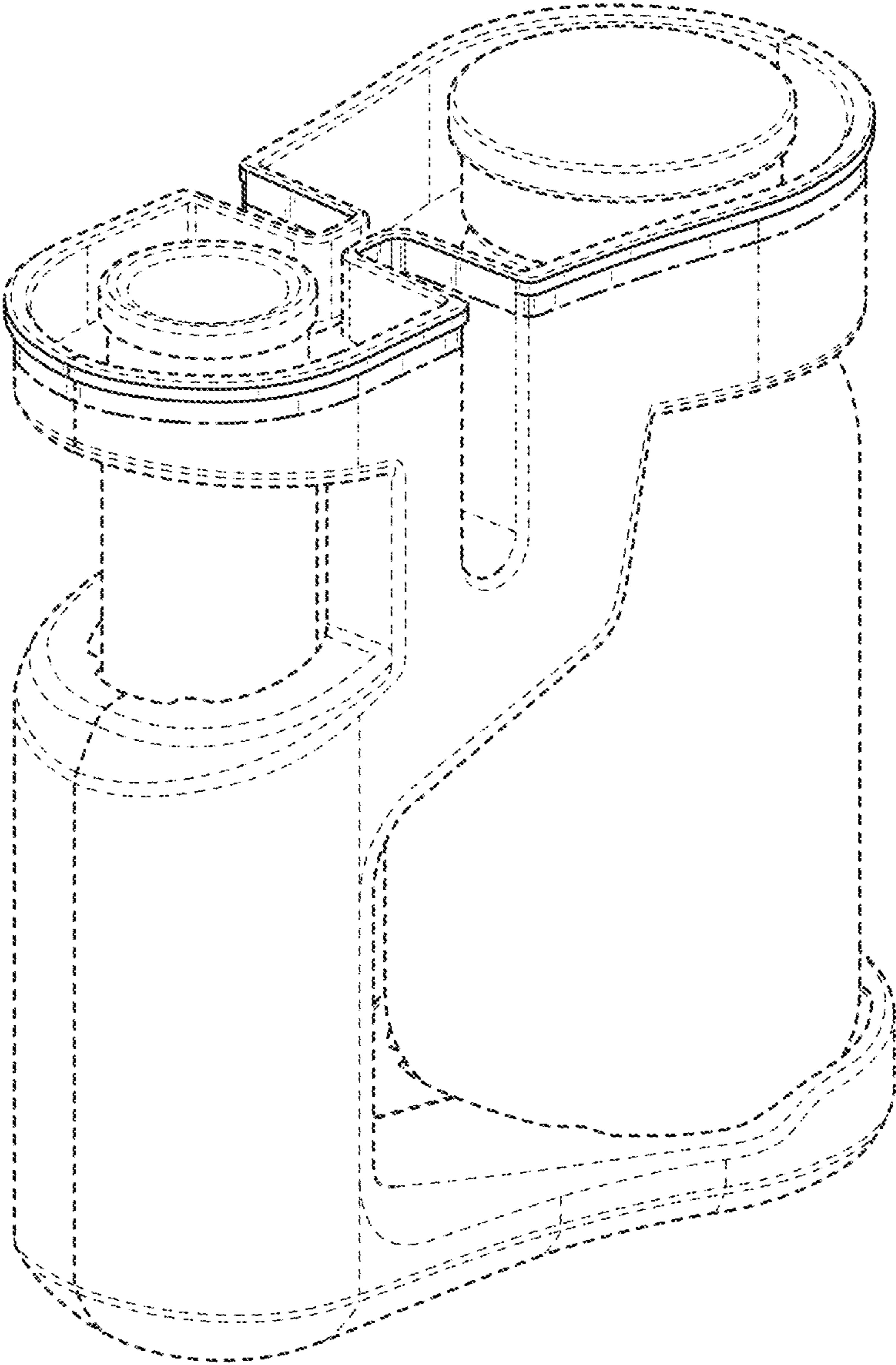


FIG. 1

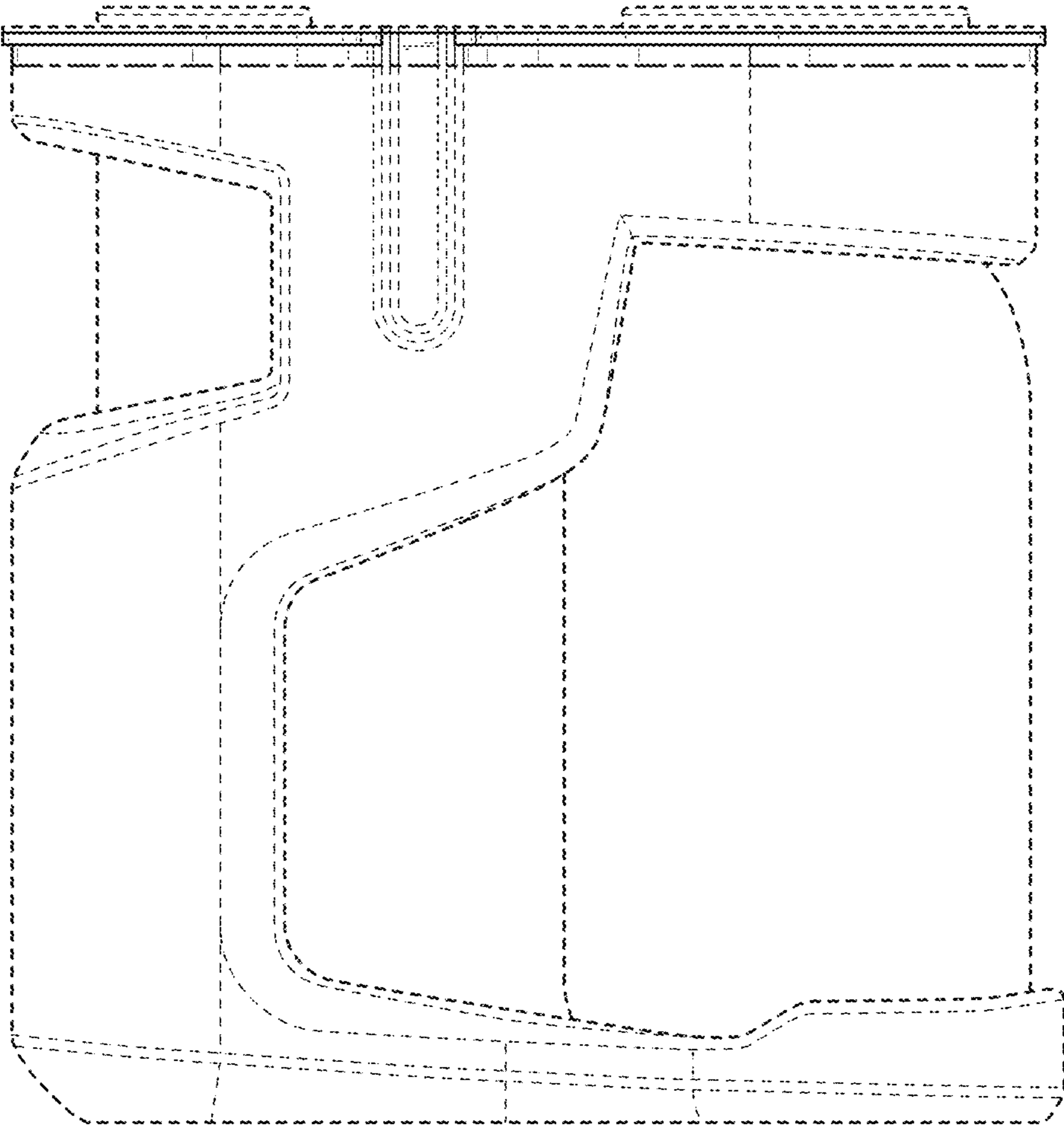


FIG. 2

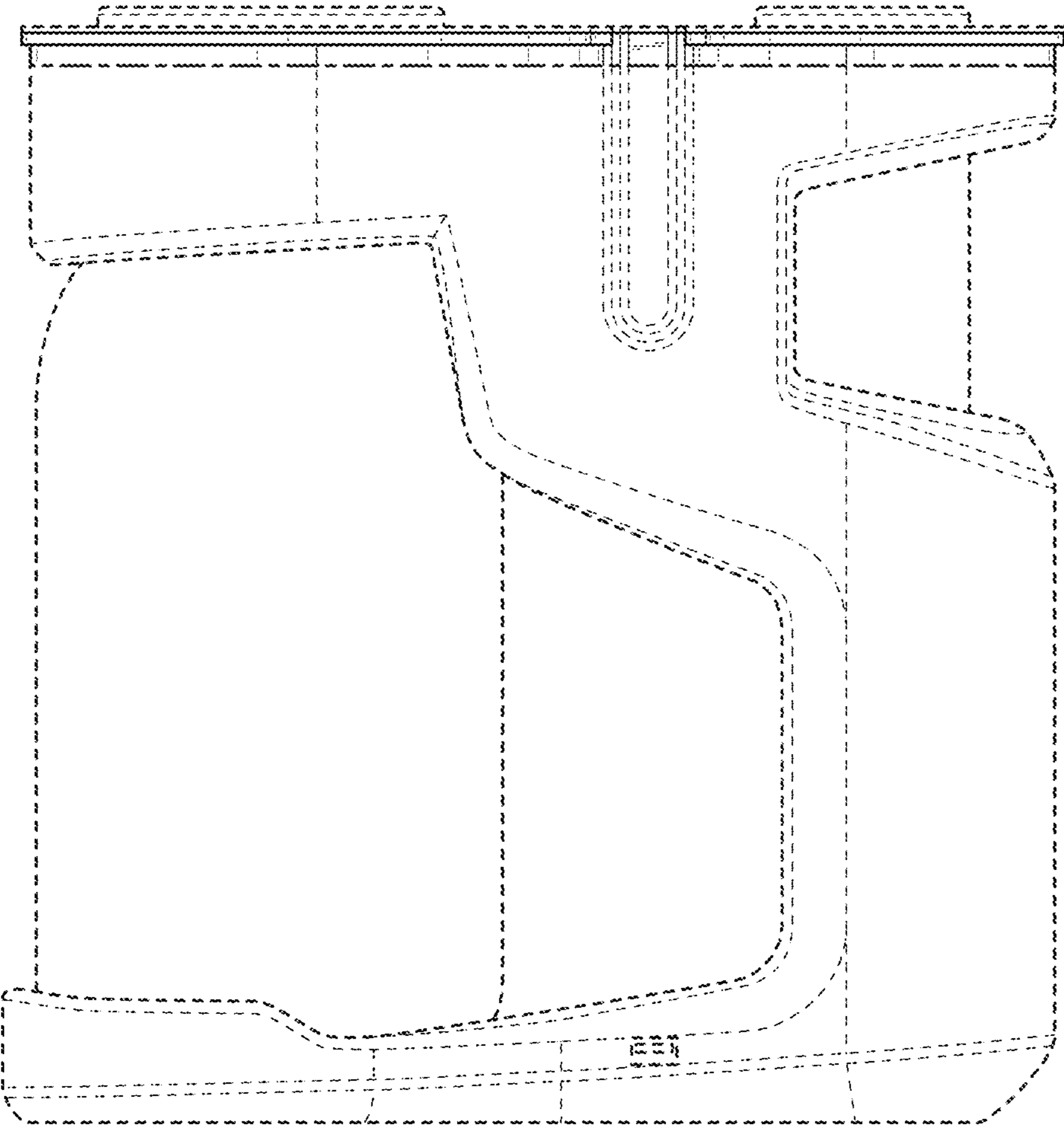


FIG. 3

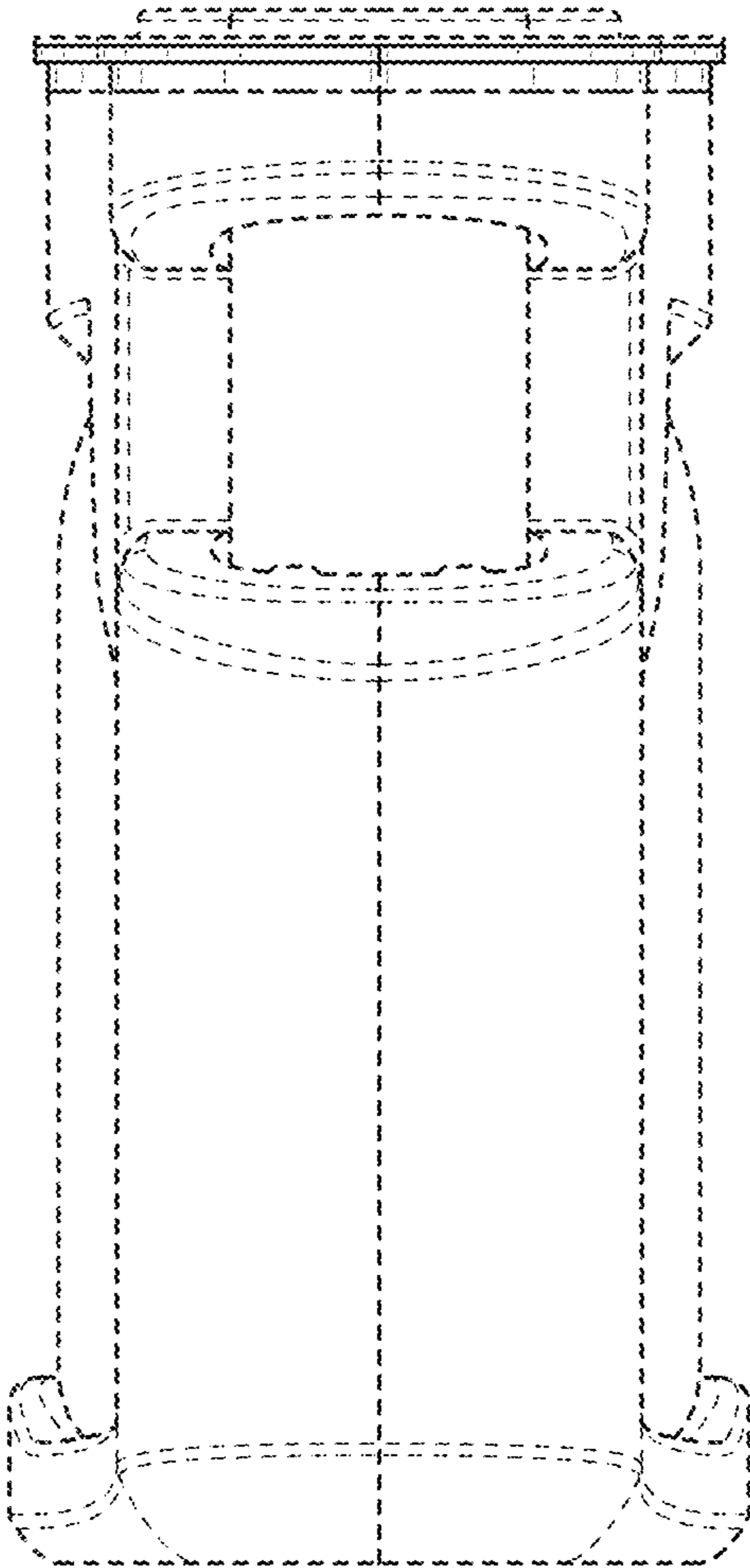


FIG. 4

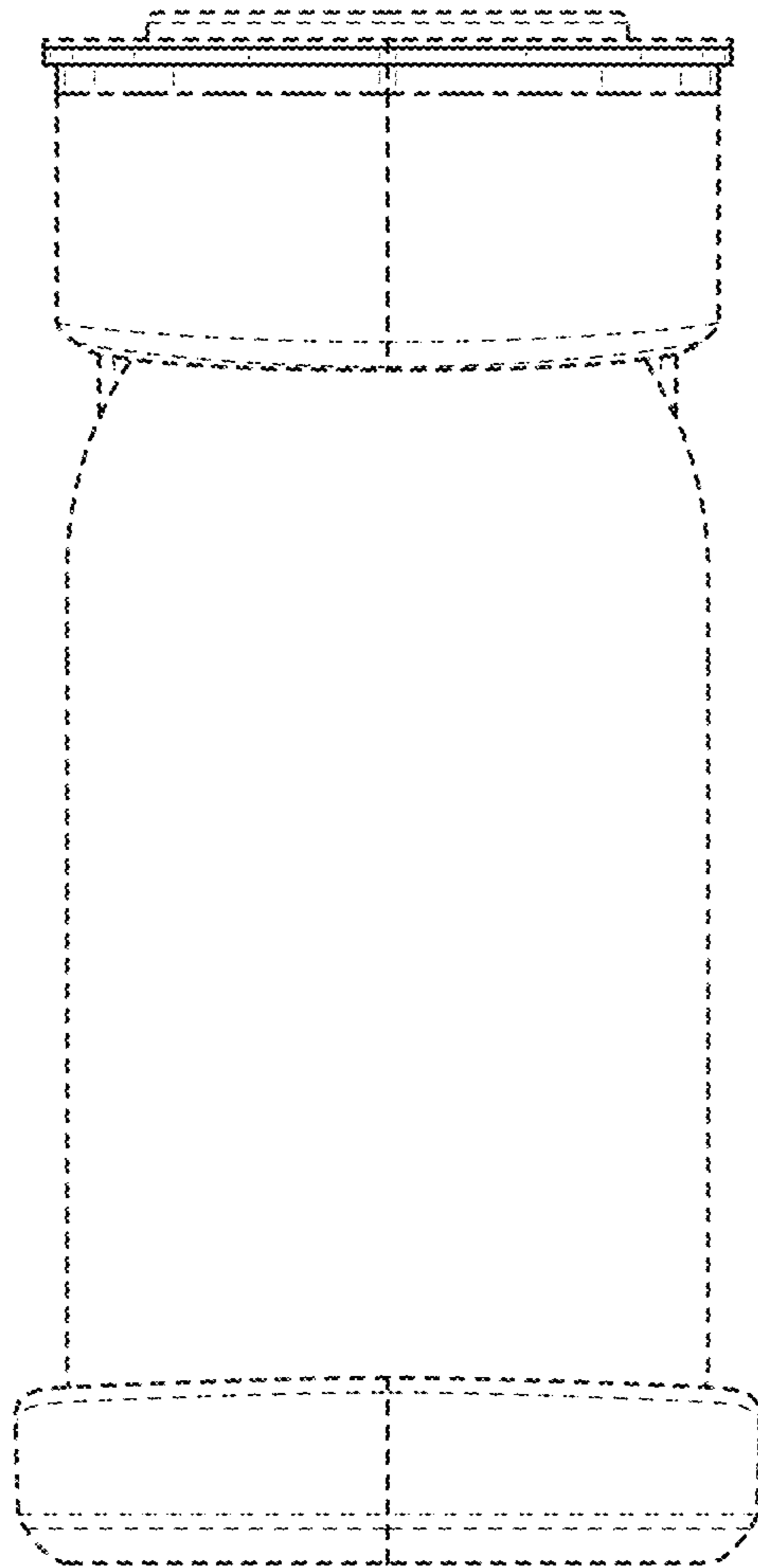


FIG. 5

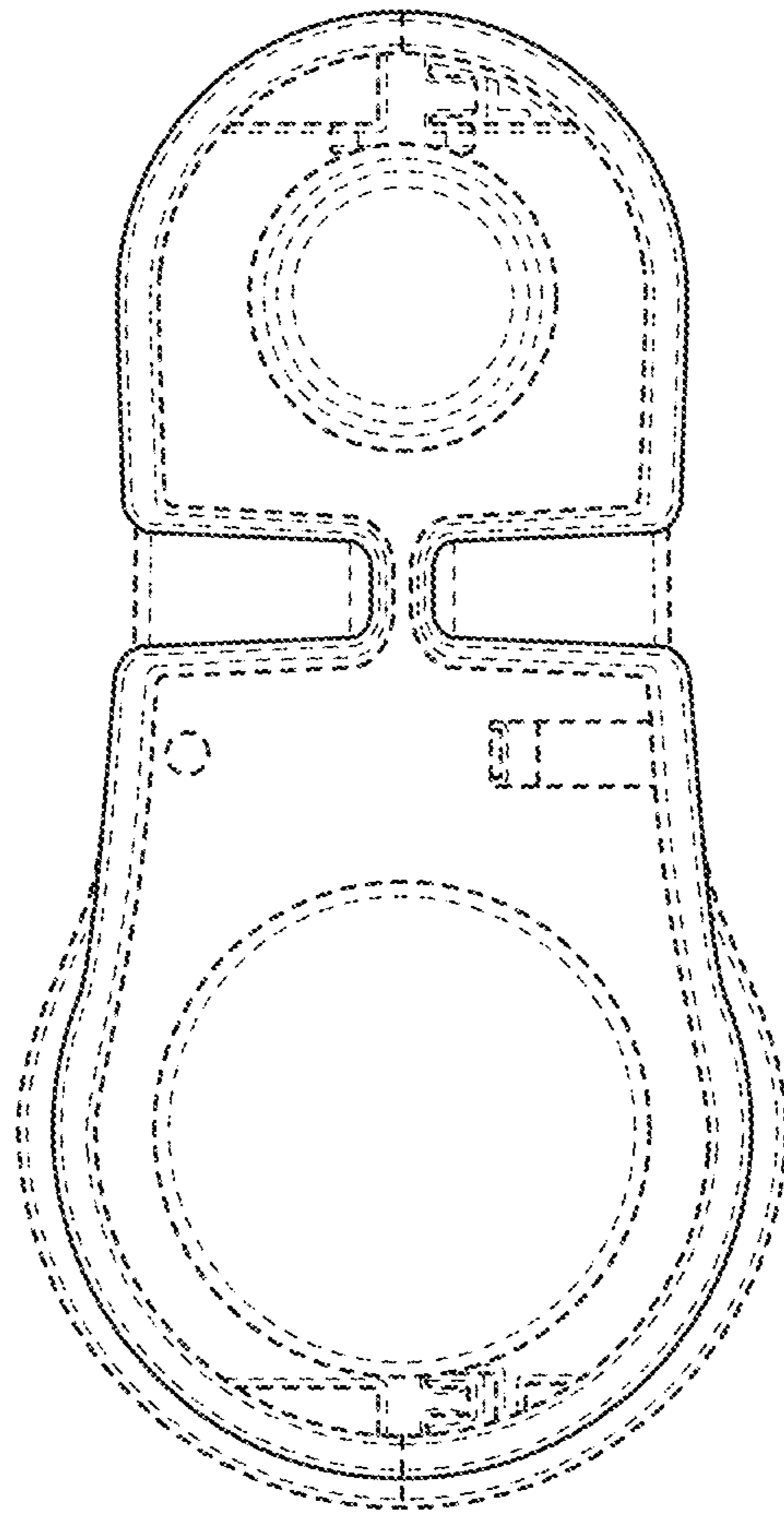


FIG. 6



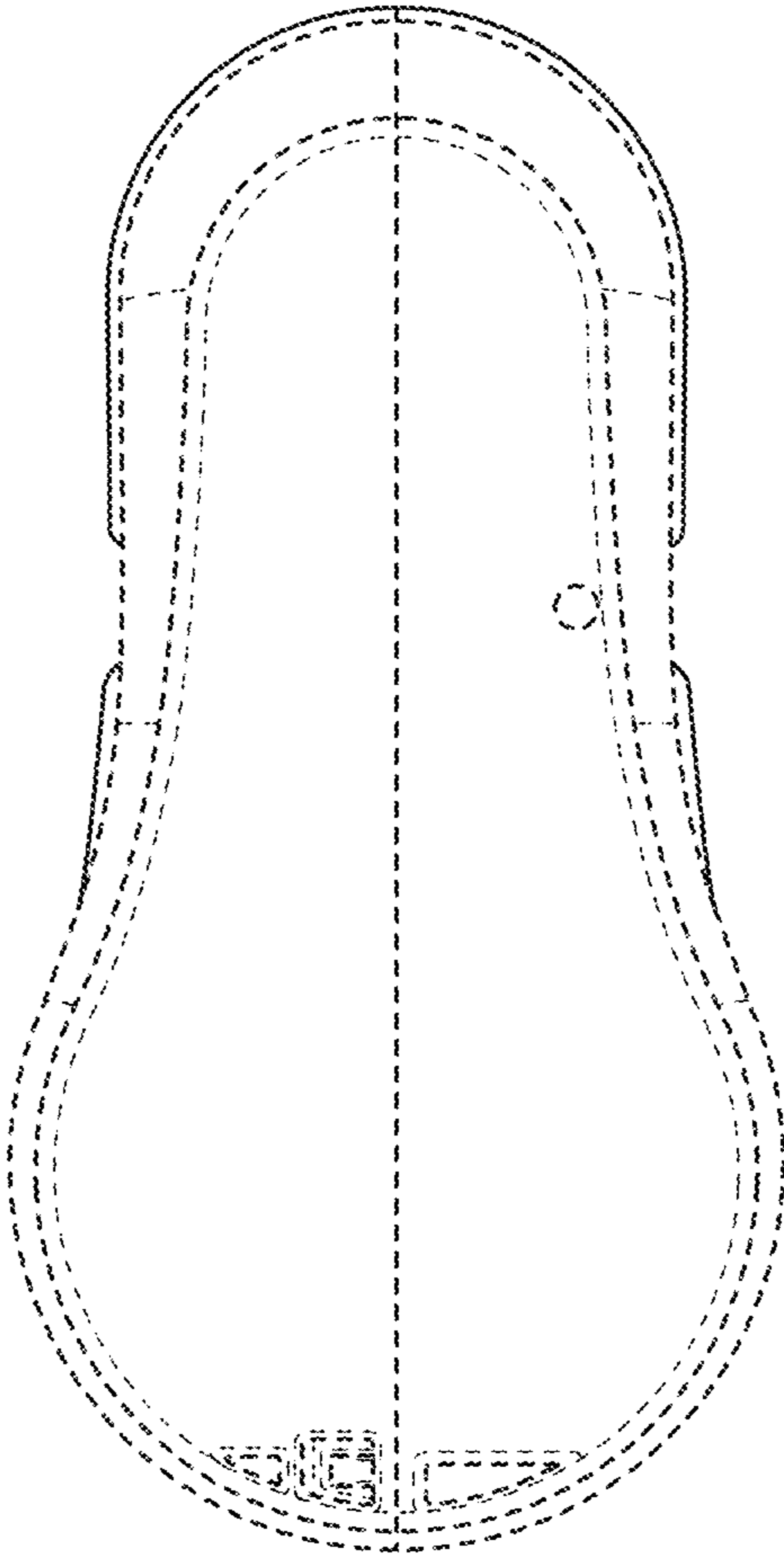


FIG. 7