



US00D890357S

(12) **United States Design Patent**
Zanon

(10) **Patent No.:** **US D890,357 S**

(45) **Date of Patent:** **** Jul. 14, 2020**

(54) **STERILIZER**

(71) Applicant: **Nakanishi Inc.**, Kanuma-shi, Tochigi (JP)

(72) Inventor: **Dario Zanon**, Vicenza (IT)

(73) Assignee: **Nakanishi Inc.**, Kanuma-shi, Tochigi (JP)

(**) Term: **15 Years**

(21) Appl. No.: **29/676,578**

(22) Filed: **Jan. 11, 2019**

(30) **Foreign Application Priority Data**

Jul. 13, 2018 (JP) 2018-015508

(51) **LOC (12) Cl.** **24-01**

(52) **U.S. Cl.**
USPC **D24/217**

(58) **Field of Classification Search**

USPC D24/216, 217, 218, 219, 232
CPC A61L 2/26; A61L 2/24; A61L 2/17; A61L 2/18; A61L 2/025; A61L 2202/122; A61L 2202/10; A61L 2202/11; A61L 2202/14; A61L 2202/23; A61L 2202/24; A61L 2202/182

See application file for complete search history.

(56) **References Cited**

U.S. PATENT DOCUMENTS

D404,827 S * 1/1999 Thoburn D24/217
D433,147 S * 10/2000 Florkey D24/217

D546,473 S * 7/2007 Xu D24/217
D632,800 S * 2/2011 Nanni D24/217
D703,343 S * 4/2014 Biswas D24/217
D719,672 S * 12/2014 Dickinson D24/217
2006/0251540 A1 * 11/2006 Benning A61L 2/07
422/3

* cited by examiner

Primary Examiner — Anhdao Doan

(74) *Attorney, Agent, or Firm* — Banner & Witcoff, Ltd.

(57) **CLAIM**

The ornamental design for a sterilizer, as shown and described.

DESCRIPTION

FIG. 1 is a perspective view of a sterilizer showing my design, which is a view showing a front face, a right face and a top face of the sterilizer;

FIG. 2 is a perspective view thereof, which is a view showing the front face, a left face, and the top face of the sterilizer;

FIG. 3 is a perspective view thereof, which is a view showing the front face, the right face and a bottom face of the sterilizer;

FIG. 4 is a front view thereof;

FIG. 5 is a rear view thereof;

FIG. 6 is a left side view thereof;

FIG. 7 is a right side view thereof;

FIG. 8 is a top view thereof; and,

FIG. 9 is a bottom view thereof.

In the drawings, the broken lines depict environmental subject matter only and form no part of the claimed design.

1 Claim, 9 Drawing Sheets

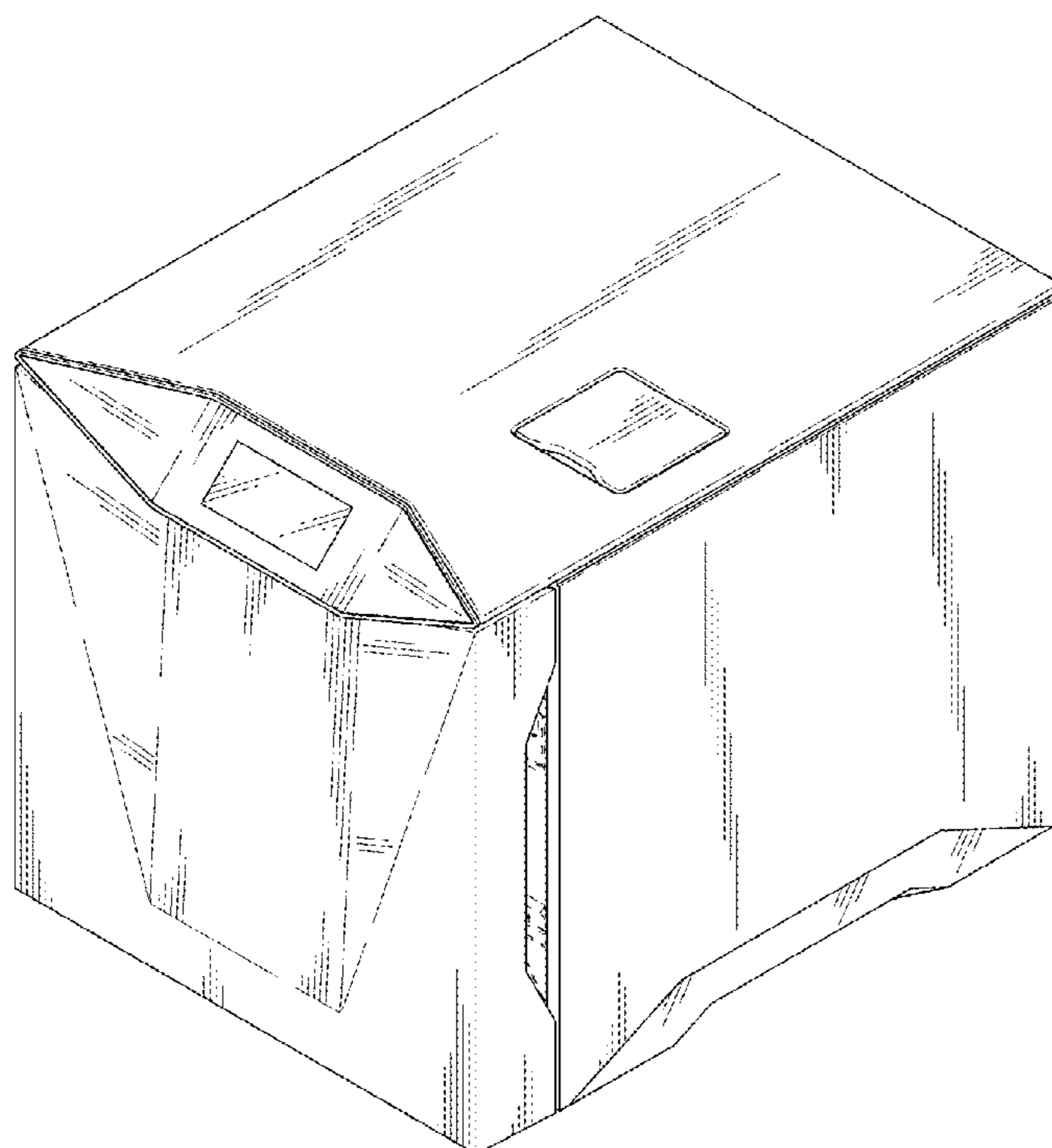


FIG. 1

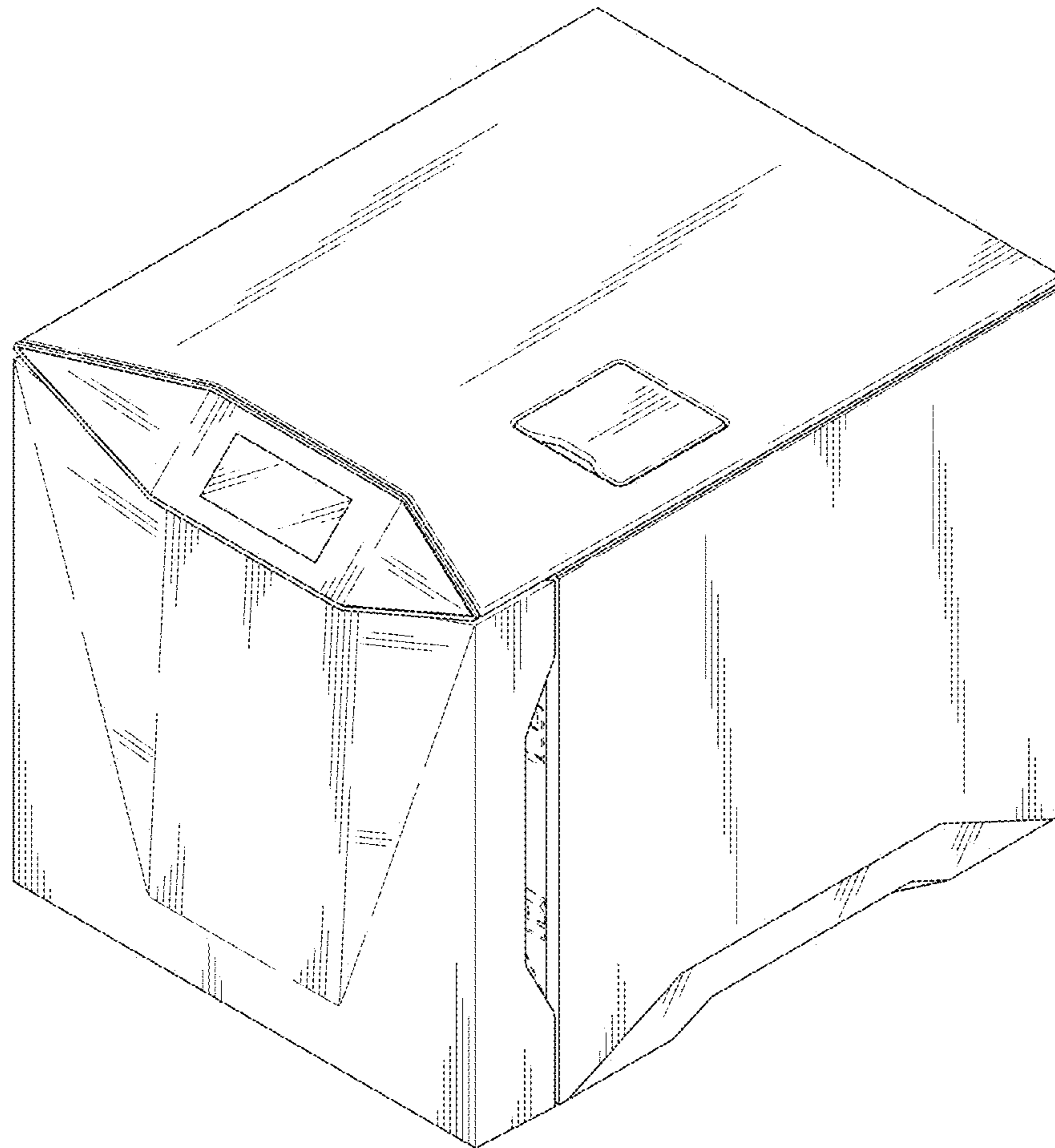


FIG. 2

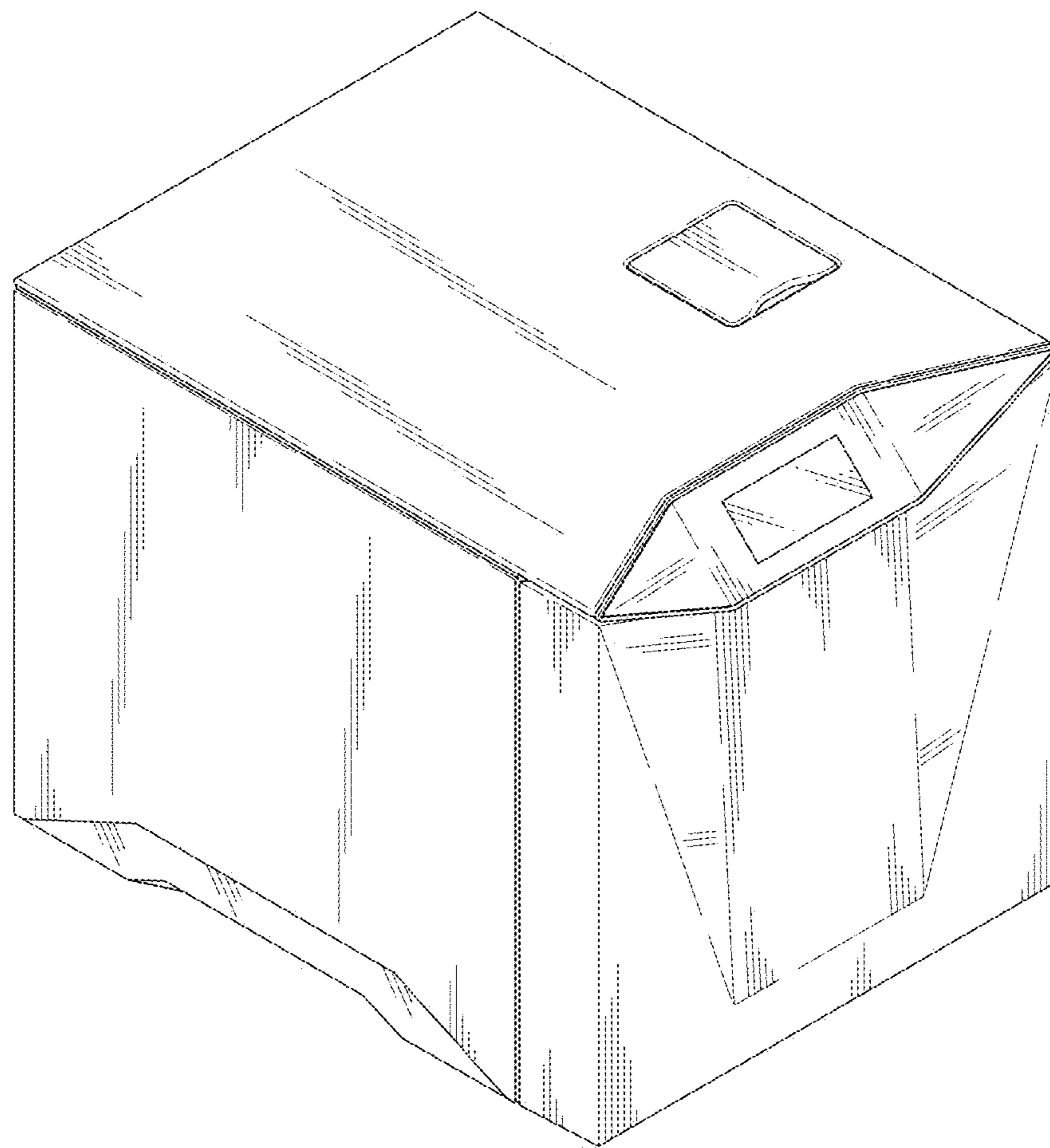


FIG. 3

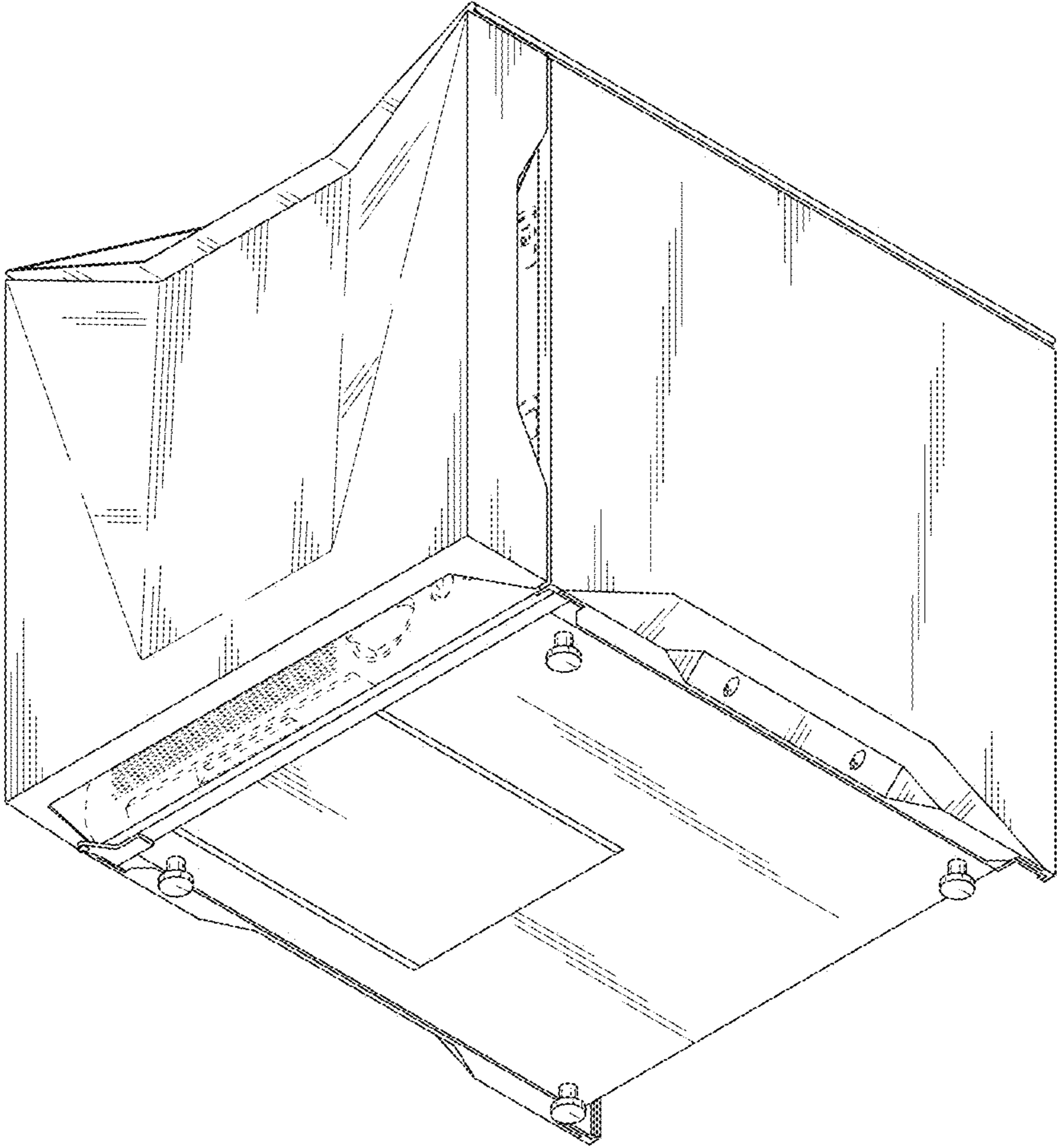


FIG. 4

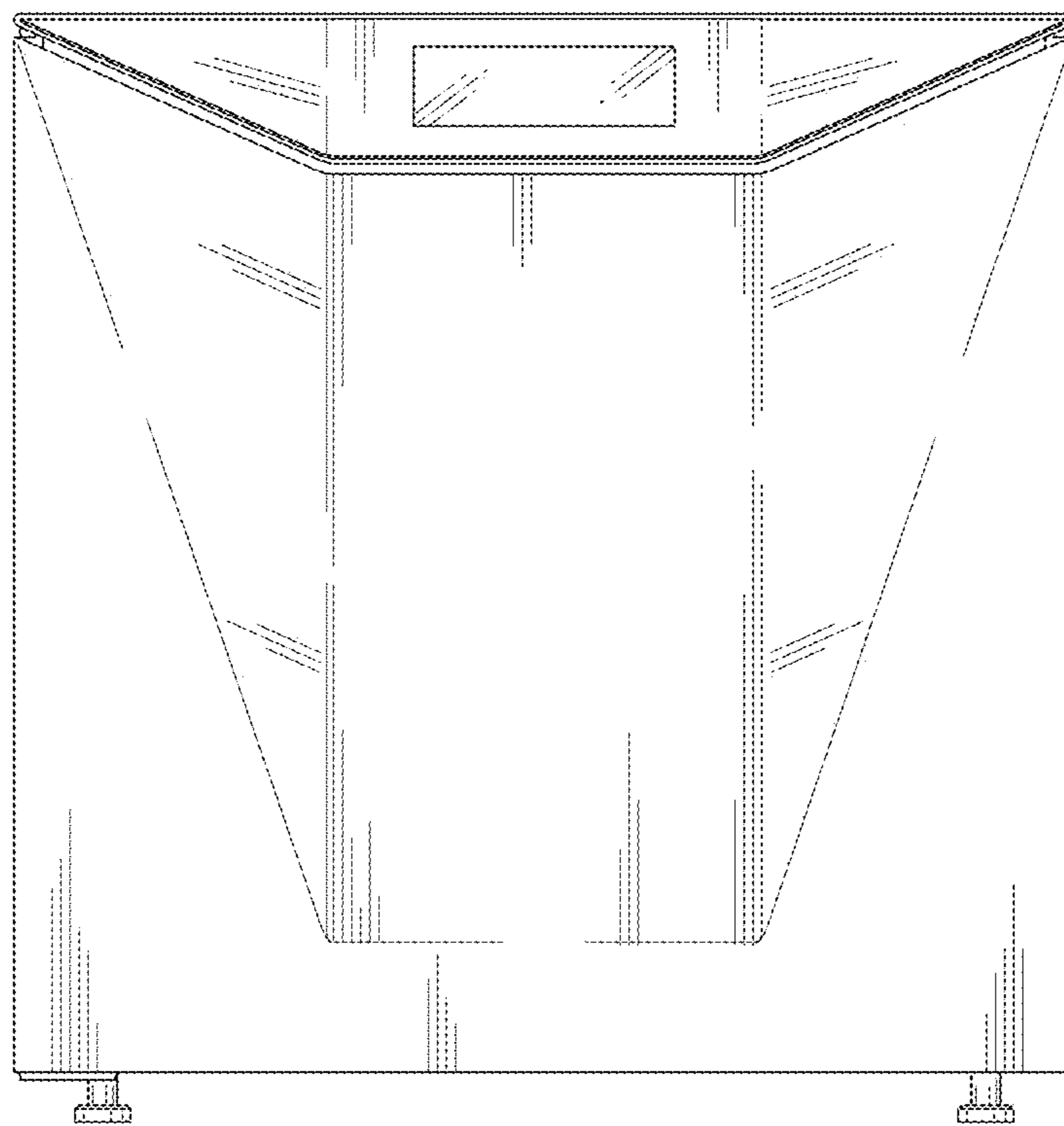


FIG. 5

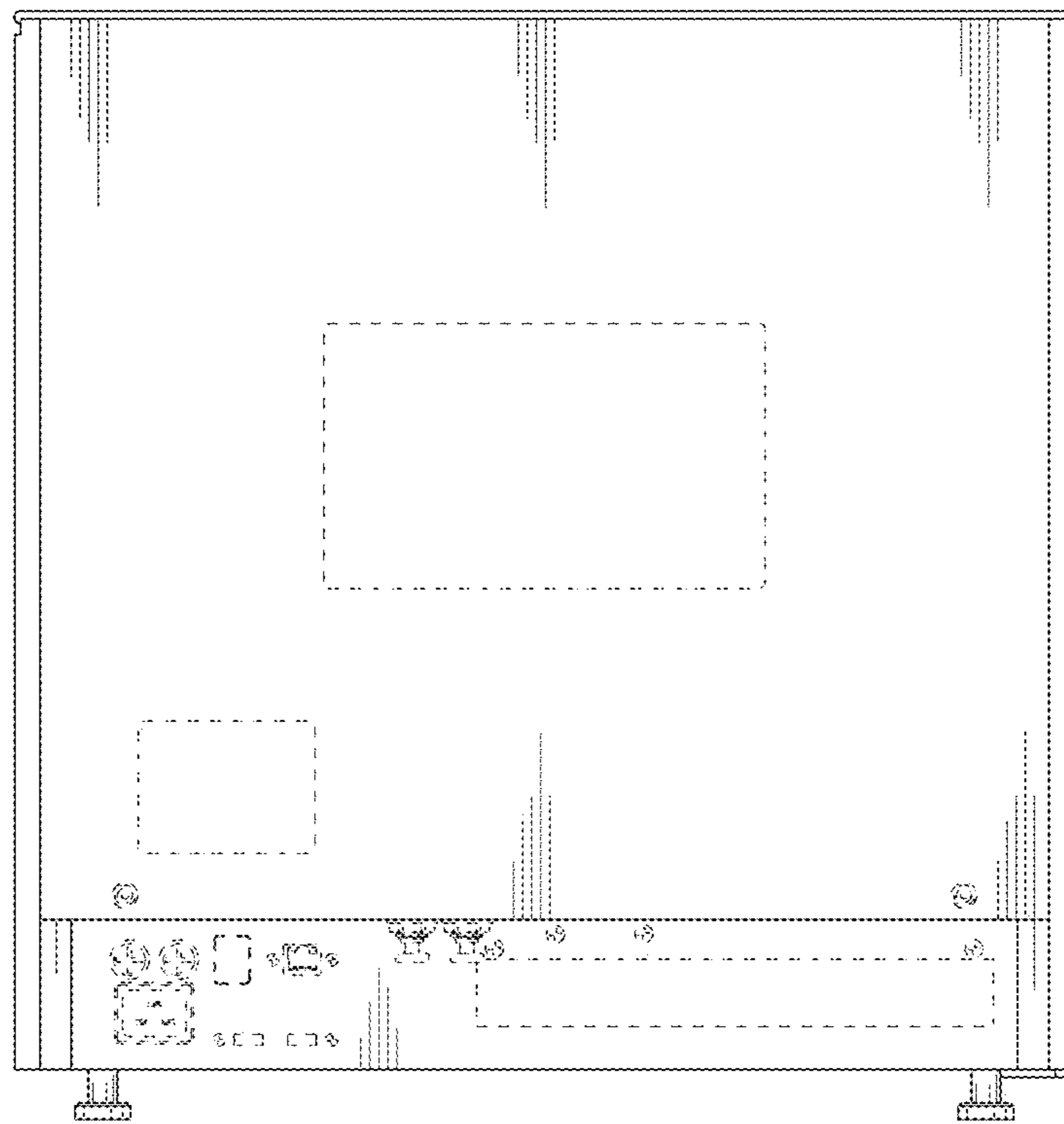


FIG. 6

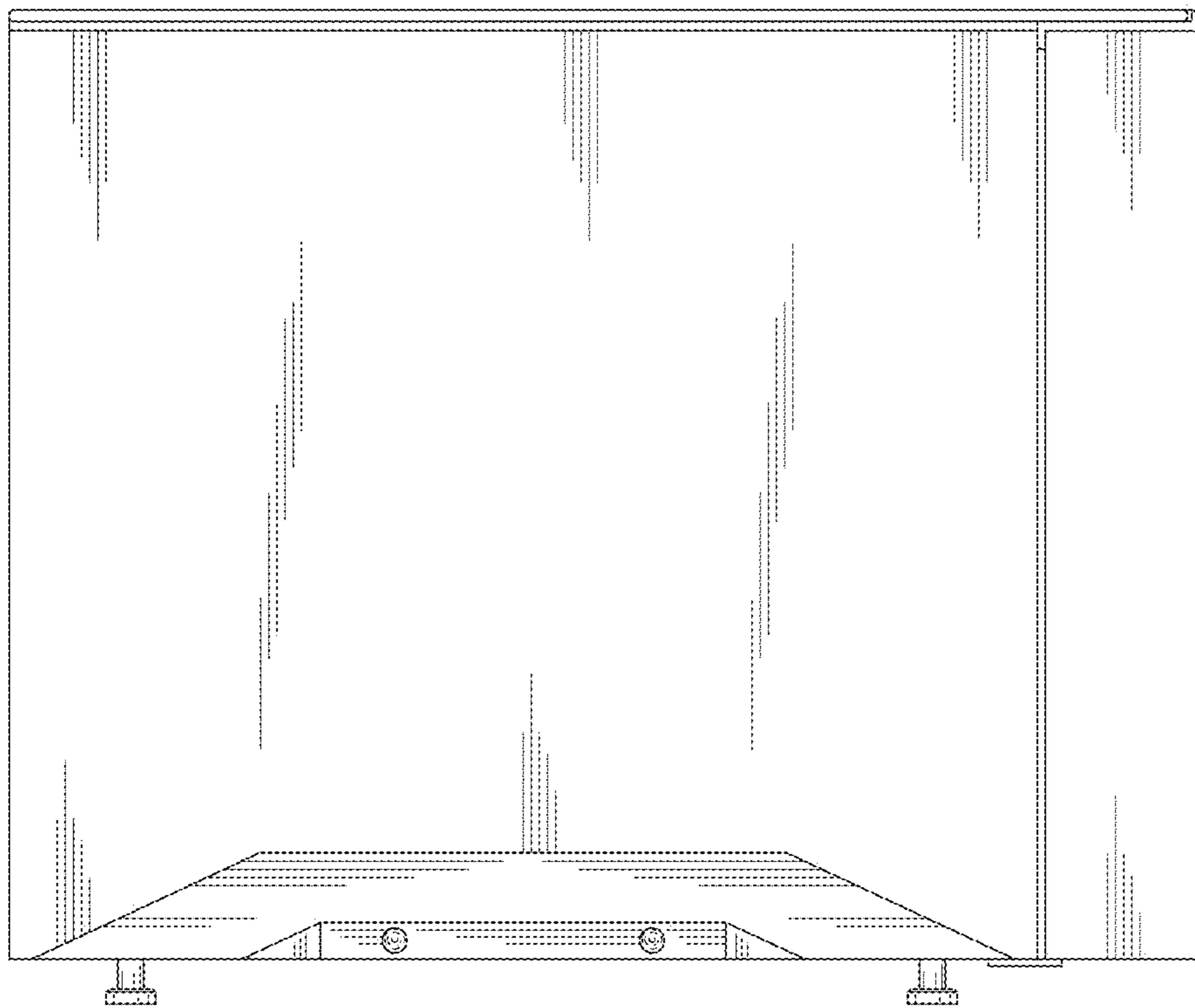


FIG. 7

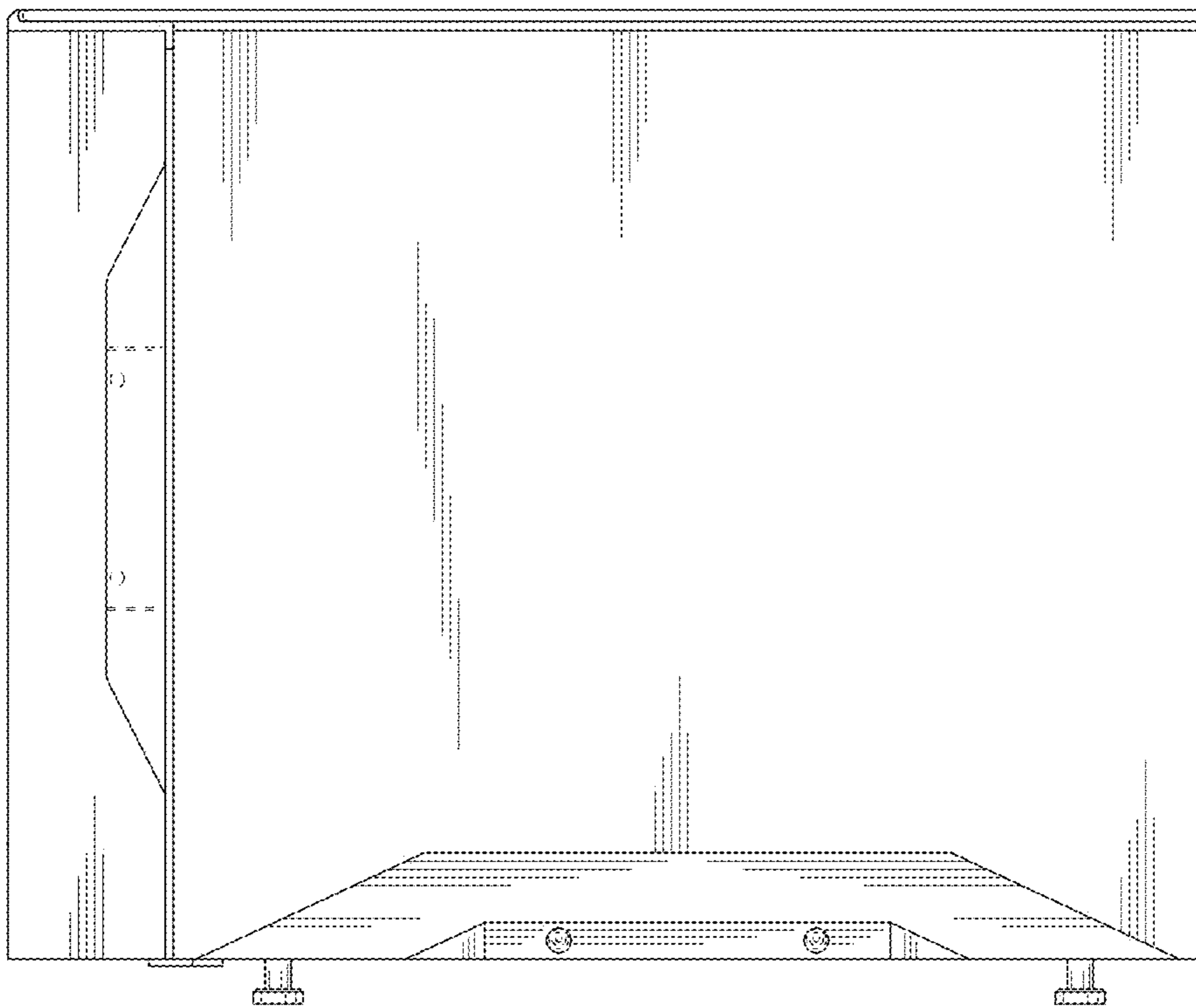


FIG. 8

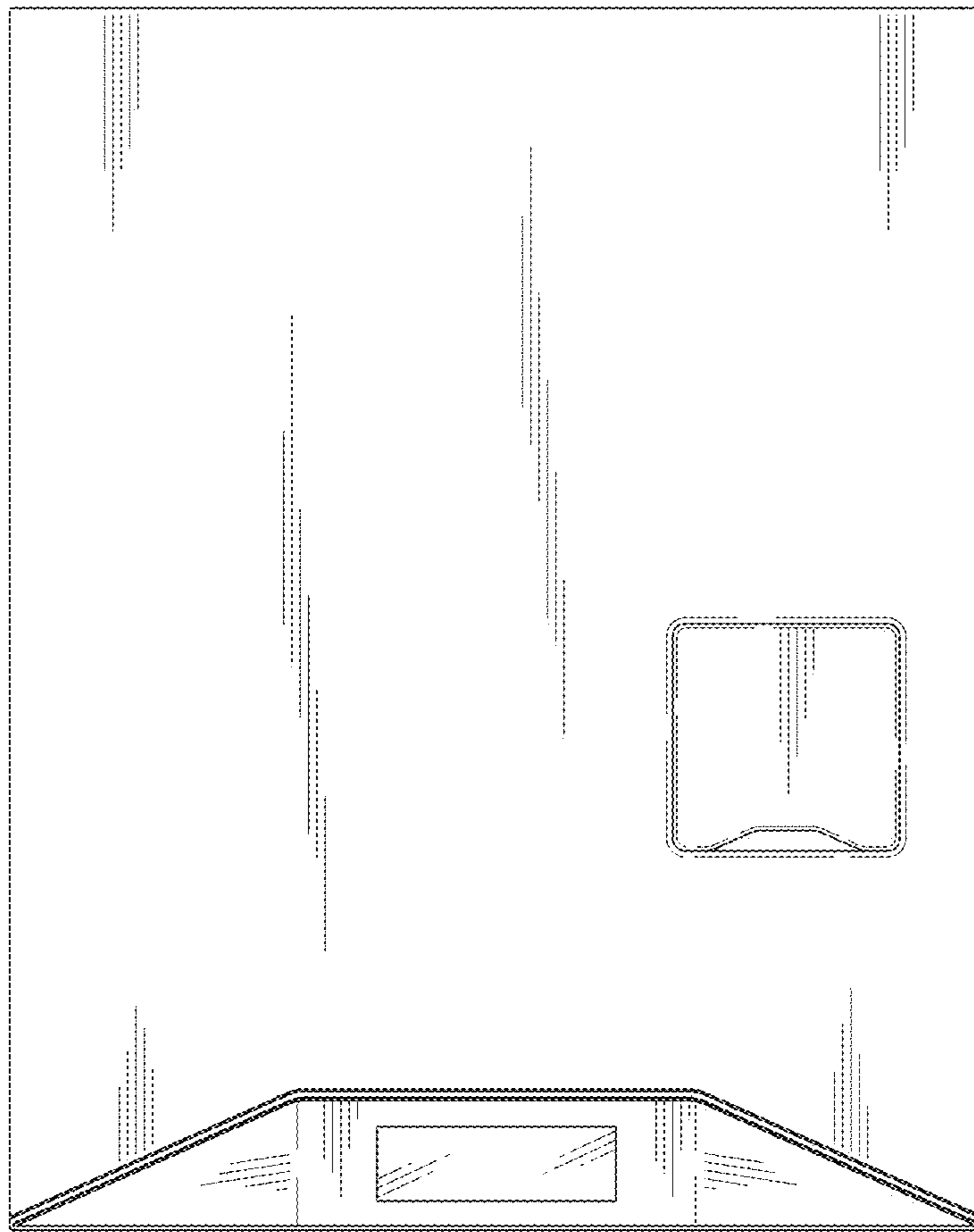


FIG. 9

