

US00D890356S

(12) **United States Design Patent** (10) **Patent No.:** **US D890,356 S**
Jacobs (45) **Date of Patent:** **** Jul. 14, 2020**

(54) **INFLAMMATION REDUCTION TOOL**
(71) Applicant: **Joseph Jacobs**, Aliso Viejo, CA (US)
(72) Inventor: **Joseph Jacobs**, Aliso Viejo, CA (US)
(**) Term: **15 Years**
(21) Appl. No.: **29/672,570**
(22) Filed: **Dec. 6, 2018**
(51) **LOC (12) Cl.** **28-03**
(52) **U.S. Cl.**
USPC **D24/214**
(58) **Field of Classification Search**
USPC D24/200, 211, 212, 213, 214, 215;
D7/624.1, 624.2; D30/160; D21/386,
D21/443; D9/435, 452, 453, 454
CPC A61H 7/001; A61H 2015/0028; A61H
2207/00; A61H 39/04; A61H 7/007;
A61H 2015/0042
See application file for complete search history.

D454,644 S * 3/2002 York D24/214
D466,954 S * 12/2002 Vodhanel, Jr. D21/443
D469,880 S * 2/2003 York D24/214
D501,257 S * 1/2005 Huang D24/206
D502,264 S * 2/2005 Timmer D24/211
D533,688 S * 12/2006 Jager D30/160
D535,752 S * 1/2007 Smith D24/214
D564,042 S * 3/2008 Roy D21/443
D597,840 S * 8/2009 Biesecker D9/454
D632,959 S * 2/2011 Peters D9/454
D640,756 S * 6/2011 Busse D21/390
D667,131 S * 9/2012 Faussett D24/215
D677,794 S * 3/2013 Prpa D24/186

(Continued)

OTHER PUBLICATIONS

Advancedsofttissue release, "MagnaHeal", May 15, 2020. [https:// advancedsofttissue release.com/product/magnaheal/](https://advancedsofttissue release.com/product/magnaheal/). Shown on p. 1. (Year: 2020).*

(Continued)

Primary Examiner — Cynthia Ramirez
Assistant Examiner — Michael A Maharajh
(74) *Attorney, Agent, or Firm* — Eric Karich; Karich & Associates

(56) **References Cited**

U.S. PATENT DOCUMENTS

D46,240 S * 8/1914 Williams D24/211
D204,581 S * 4/1966 Coulson D24/211
D234,707 S * 4/1975 Vennola D21/386
D260,928 S * 9/1981 Gueret D24/211
D264,754 S * 6/1982 Vitrac D24/211
D272,466 S * 1/1984 Masuda D24/211
D285,116 S * 8/1986 Hoff D24/214
D291,971 S * 9/1987 Smith D9/447
D311,790 S * 10/1990 Krief D24/211
D334,710 S * 4/1993 Picozza D9/435
D344,137 S * 2/1994 Yoo D24/200
D344,591 S * 2/1994 Zhuang D24/211
D350,688 S * 9/1994 Wardell, Jr. D9/435
D357,322 S * 4/1995 Matthews D24/200
D378,539 S * 3/1997 Scott D24/211
D403,076 S * 12/1998 York D24/214
D403,428 S * 12/1998 Russo D24/200

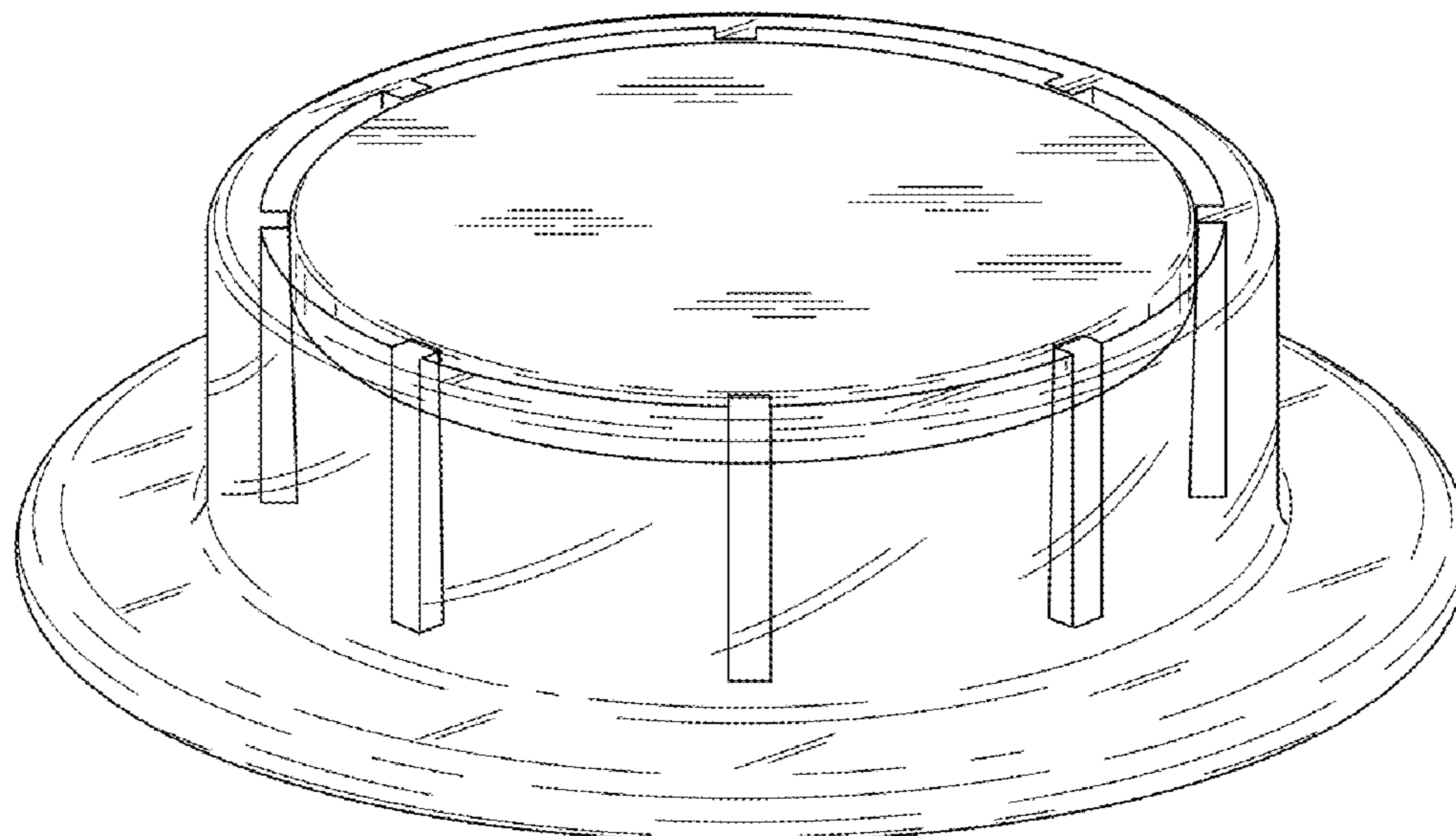
(57) **CLAIM**

The ornamental design for an inflammation reduction tool, as shown and described.

DESCRIPTION

FIG. 1 is a perspective view of an inflammation reduction tool, showing my new design;
FIG. 2 is a front elevational view thereof;
FIG. 3 is a rear elevational view thereof;
FIG. 4 is a left side elevational view thereof
FIG. 5 is a right side elevational view thereof;
FIG. 6 is a top plan view thereof; and,
FIG. 7 is a bottom plan view thereof.

1 Claim, 3 Drawing Sheets



(56)

References Cited

U.S. PATENT DOCUMENTS

D680,280 S * 4/2013 Nielsen D30/160
 D709,766 S * 7/2014 Miceli D9/453
 D726,722 S * 4/2015 Georgiou D14/388
 D732,182 S * 6/2015 Viner D24/212
 D740,432 S * 10/2015 Wu D24/211
 D741,502 S * 10/2015 Gomez D24/215
 D742,025 S * 10/2015 Callow D24/214
 D751,399 S * 3/2016 Lynd D9/454
 D762,871 S * 8/2016 Gomez D24/215
 D765,873 S * 9/2016 Hetzel D24/214
 9,649,244 B1 * 5/2017 Jacobs A61H 7/003
 D812,320 S * 3/2018 Stone D30/160
 D826,417 S * 8/2018 Faussett D24/211
 D827,146 S * 8/2018 Faussett D24/211
 D827,147 S * 8/2018 Jacobs D24/214
 D844,800 S * 4/2019 Ehret D24/215
 D848,011 S * 5/2019 Champeval D24/215
 D849,260 S * 5/2019 Wersland D24/211
 D850,639 S * 6/2019 Wersland D24/211
 D856,136 S * 8/2019 Marshall D9/435
 D859,756 S * 9/2019 Koskey, Jr. D30/160
 D860,469 S * 9/2019 Wattu D24/211
 D861,912 S * 10/2019 Ehret D24/215

D865,987 S * 11/2019 Jacobs D24/214
 D868,278 S * 11/2019 Smith D24/211
 D869,674 S * 12/2019 Cheng D24/214
 D870,908 S * 12/2019 Hyder A61H 15/00

2006/0142678 A1 * 6/2006 Hecht A61H 39/04
 601/135
 2006/0247562 A1 * 11/2006 Emmel A61H 7/003
 601/135
 2009/0050164 A1 * 2/2009 Faccin A61N 2/06
 131/270
 2016/0317387 A1 * 11/2016 Cox A61H 39/04
 2018/0353369 A1 * 12/2018 Newns A61H 15/00

OTHER PUBLICATIONS

AliExpress, "Penis Pump_Silicone Sleeve Cover", May 16, 2020.
https://www.aliexpress.com/item/32969333520.html?spm=2114.search0302.3.51.30642222zdudeY&ws_ab_test=searchweb0_0,searchweb201602_0,searchweb201603_0,ppcSwitch_0&algo_pvid=40d06117-c71c-4bd2-9ac9-b2bfd1aa4a13&algo_expid=4. Shown on p. 1. (Year: 2020).*

* cited by examiner

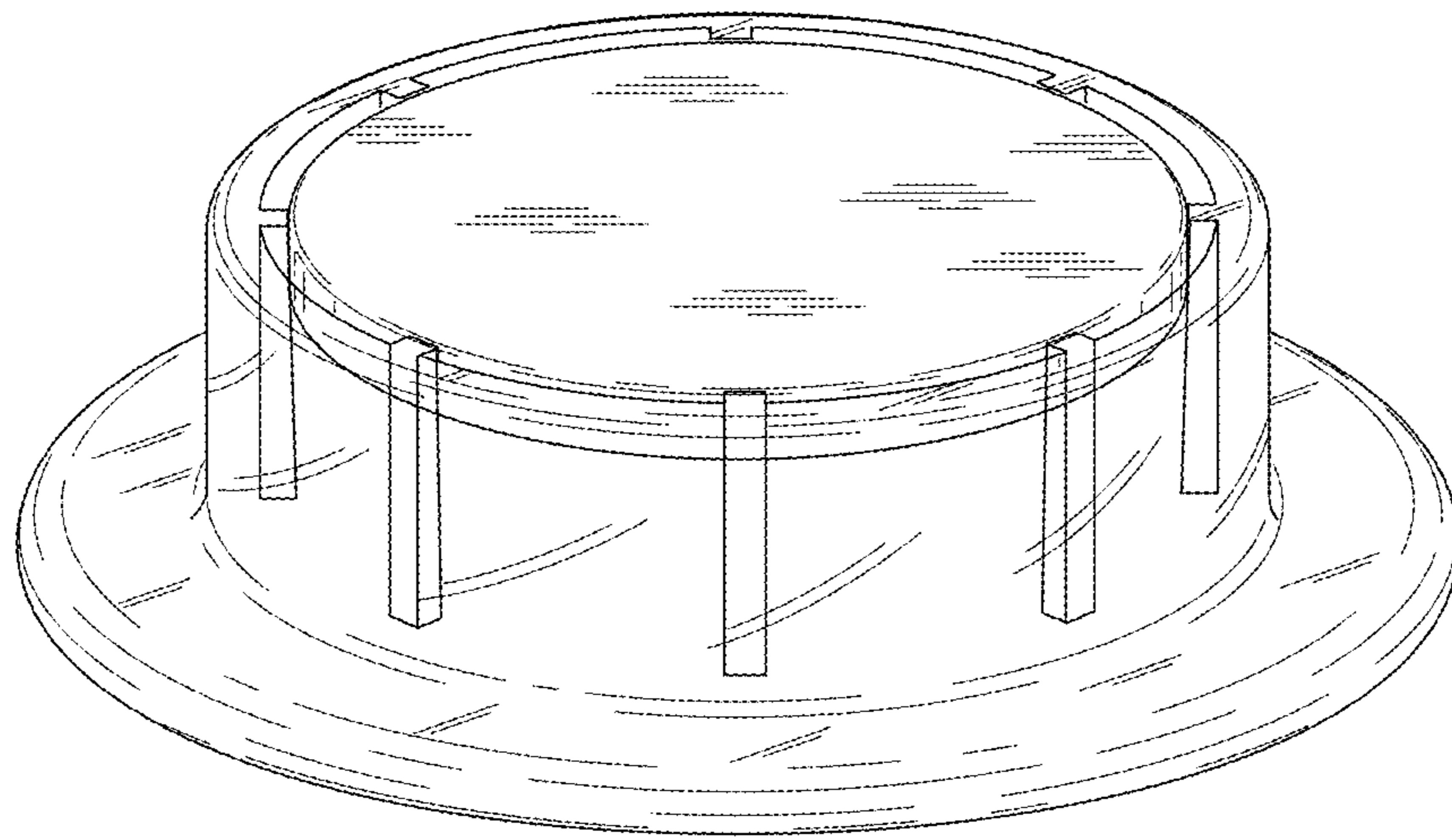


Fig. 1

Fig. 2

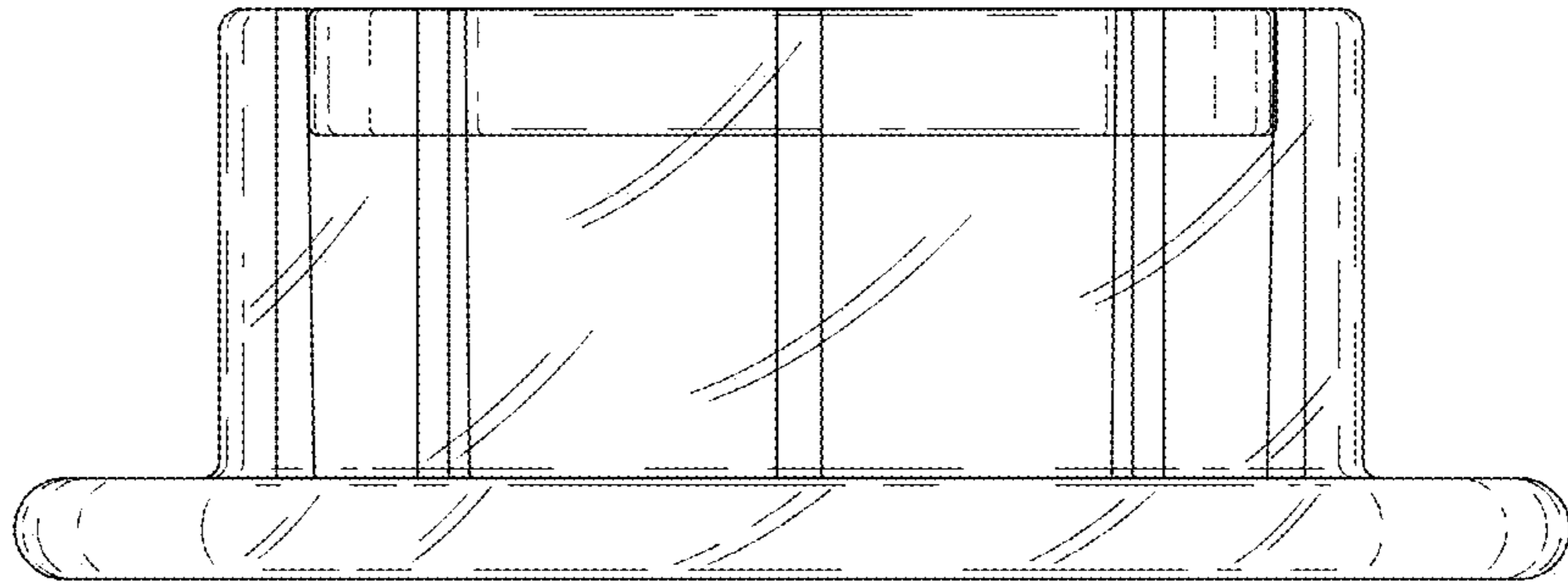


Fig. 3

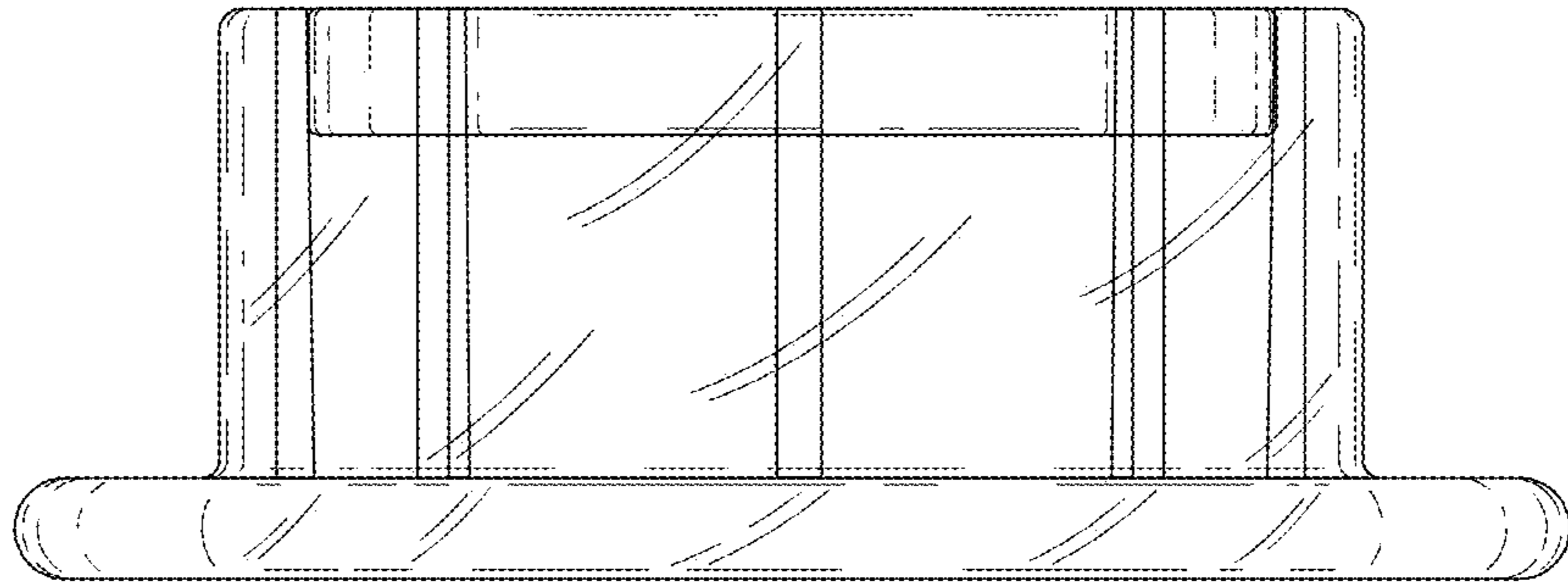


Fig. 4

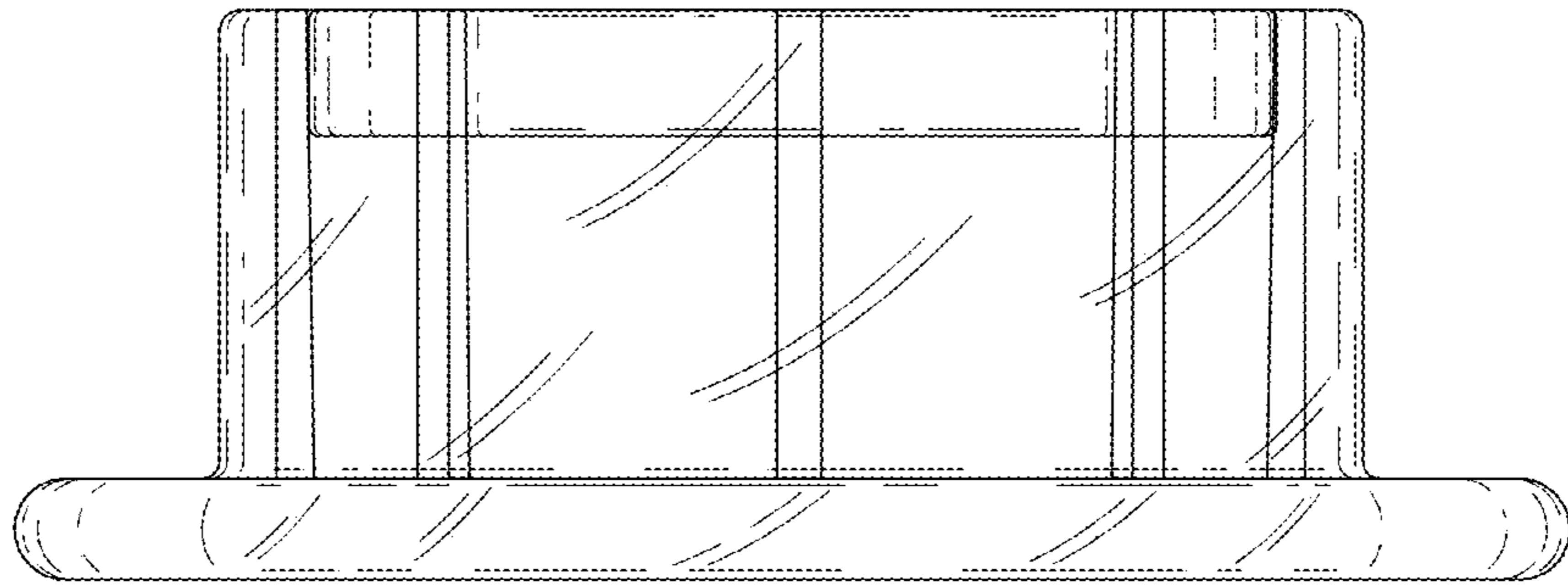
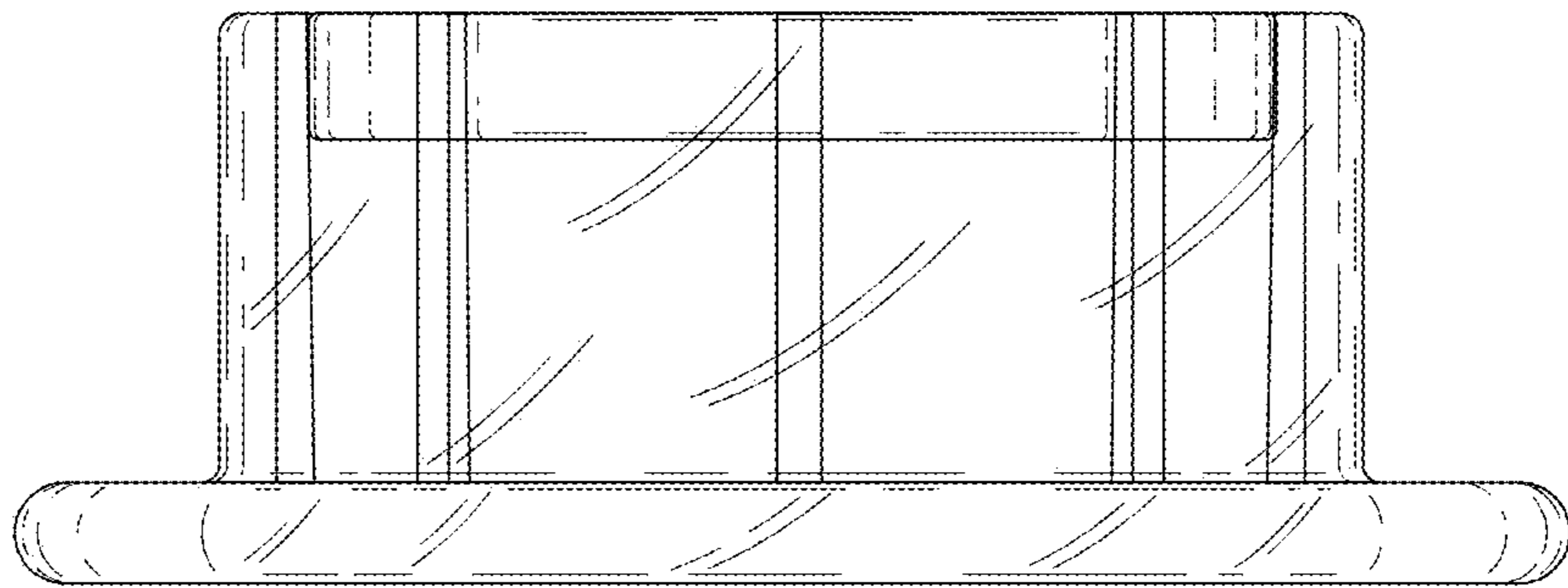


Fig. 5



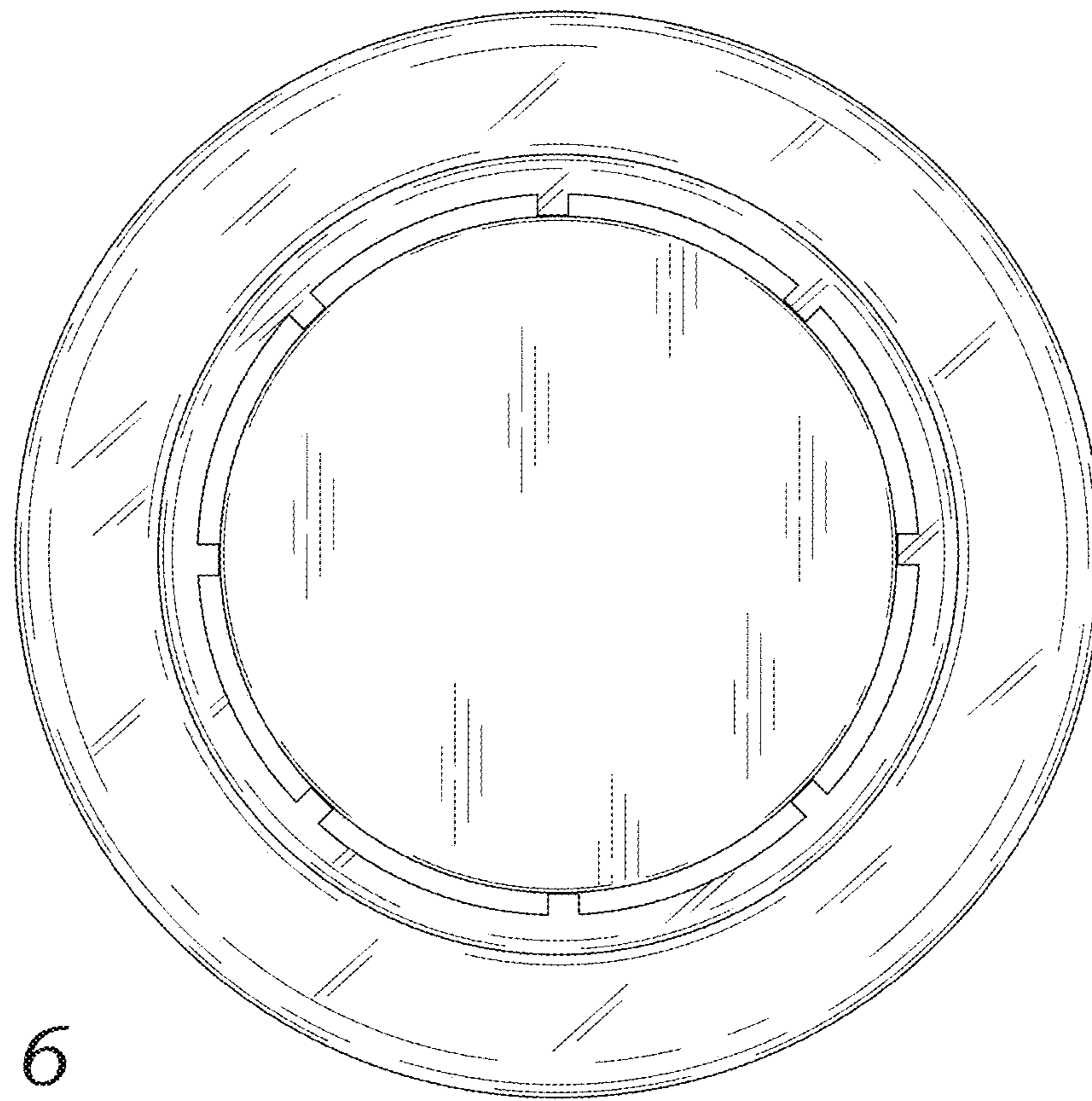


Fig. 6

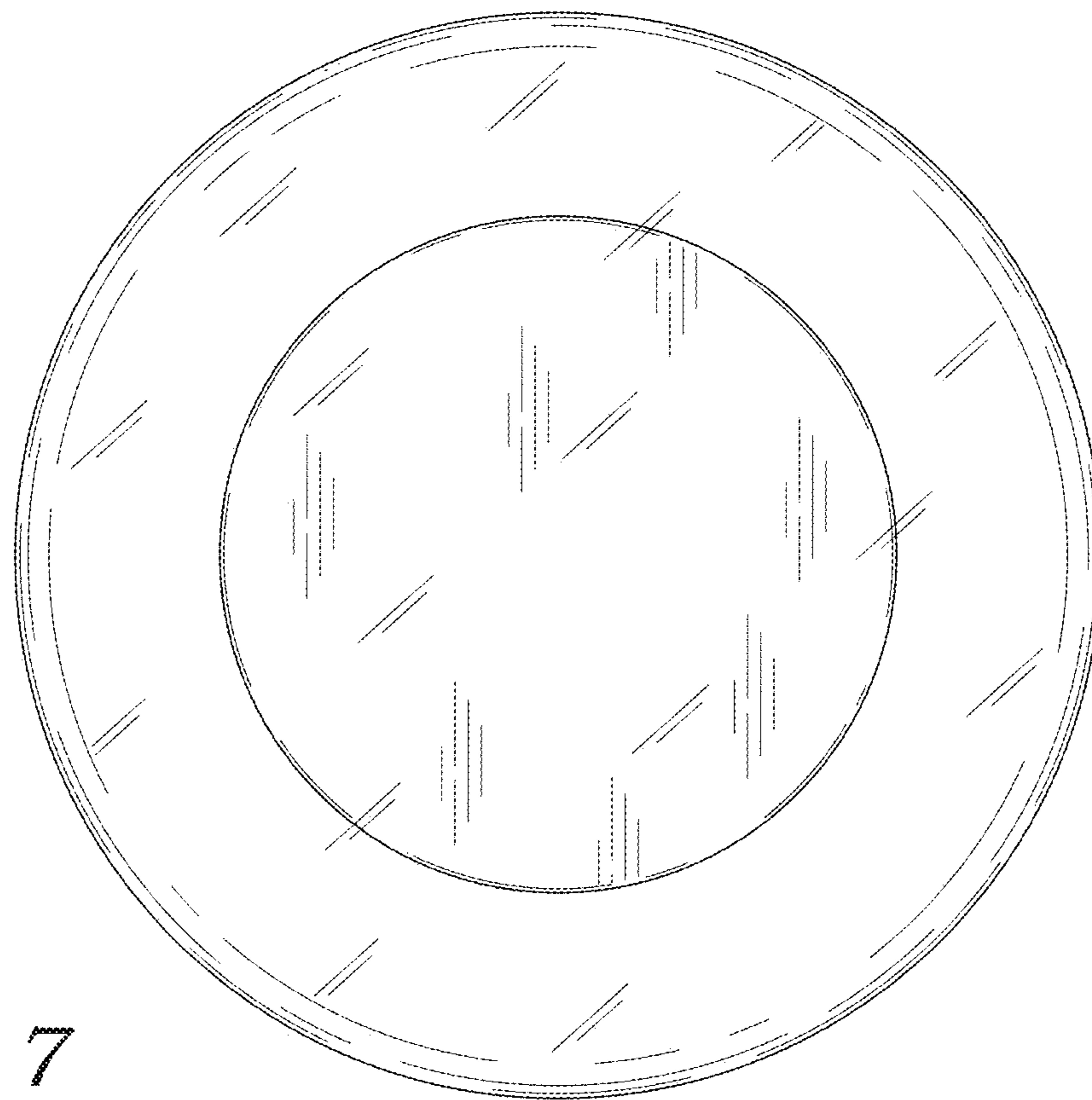


Fig. 7