



US00D890355S

(12) **United States Design Patent**
Nordeen

(10) **Patent No.:** **US D890,355 S**
(45) **Date of Patent:** **** Jul. 14, 2020**

(54) **HIP BRACE ICE PACK**

FOREIGN PATENT DOCUMENTS

(71) Applicant: **Impact IP, LLC**, Rocklin, CA (US)

CN 206167143 5/2017
CN 209611507 11/2019

(72) Inventor: **Taylor Nordeen**, Rocklin, CA (US)

(Continued)

(73) Assignee: **Impact IP, LLC**, Rocklin, CA (US)

OTHER PUBLICATIONS

(**) Term: **15 Years**

Breg Polar Care Hip Gel Wrap http://healthproductsforyou.com/p-breg-polar-care-hip-get-wrap.html?gclid=EAlalQobChMimt6WVIHj5glVTvDACH3RMgOnEAQYBSABEgKOs_D_BwE internet Feb. 6, 2020.

(21) Appl. No.: **29/724,933**

(Continued)

(22) Filed: **Feb. 20, 2020**

(51) **LOC (12) Cl.** **24-04**

Primary Examiner — Wan Laymon

(52) **U.S. Cl.**

(74) *Attorney, Agent, or Firm* — Stoel Rives LLP

USPC **D24/206**; D24/207

(57) **CLAIM**

(58) **Field of Classification Search**

The ornamental design for a hip brace ice pack, as shown and described.

USPC D24/206–208, 200, 190; D6/582–583;
607/96, 104, 108

CPC A61F 7/10; A61F 7/106; A61F 7/02; A61F
2007/004

DESCRIPTION

See application file for complete search history.

FIG. 1 is a front isometric view of a hip brace ice pack.
FIG. 2 is a rear isometric view thereof.
FIG. 3 is a front view thereof.
FIG. 4 is a rear view thereof.
FIG. 5 is a left view thereof, the right side being a mirror image.
FIG. 6 is a top view thereof, the bottom view being a mirror image.
FIG. 7 is a front view of a hip brace and the hip brace ice pack in a disassembled configuration.
FIG. 8 is a front view of a hip brace and the hip brace ice pack in an assembled configuration; and,
FIG. 9 is a perspective view of the hip brace and the hip brace ice pack of FIG. 7 strapped onto a human body.
The broken lines form no part of the claimed design. The broken lines showing portions of a human are for the purpose of illustrating environment and form no part of the claim. The dash dot dash lines in FIG. 7 is a reference line for the purpose of illustrating the position of attachment.

(56) **References Cited**

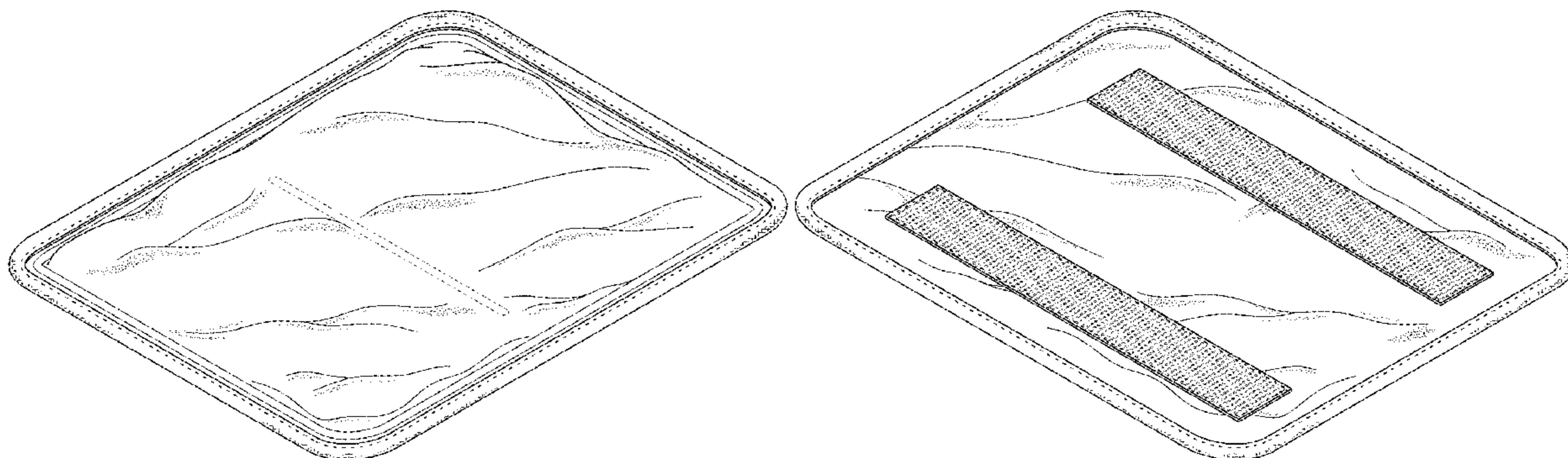
U.S. PATENT DOCUMENTS

D239,981 S 5/1976 Arluck et al.
D293,354 S 12/1987 Nelson
4,790,855 A 12/1988 Jolly
5,129,391 A * 7/1992 Brodsky A61F 7/10
607/110

D332,495 S 1/1993 Mae
D338,963 S 8/1993 Kilbey
5,421,810 A 6/1995 Davis
5,425,702 A 6/1995 Carn et al.
D377,833 S 2/1997 Schwartz
D393,073 S 3/1998 Downing et al.
5,840,050 A 11/1998 Lerman
D405,884 S 2/1999 Roper
D411,356 S 6/1999 Roper

(Continued)

1 Claim, 5 Drawing Sheets



(56)

References Cited

U.S. PATENT DOCUMENTS

6,039,707 A 3/2000 Crawford et al.
 D439,343 S 3/2001 Kagan, II
 D442,285 S * 5/2001 Perry D24/206
 6,254,559 B1 7/2001 Tyrell
 6,540,703 B1 4/2003 Lerman
 D510,140 S 9/2005 Brown
 D559,393 S 1/2008 Schirmacher
 D568,482 S 5/2008 Gramza et al.
 7,775,999 B2 8/2010 Brown
 D626,245 S 10/2010 Sagnip et al.
 D690,022 S * 9/2013 Sonoda D24/206
 8,708,941 B2 4/2014 Paaske et al.
 D717,453 S 11/2014 Mahtani
 8,894,595 B2 11/2014 Hennessy
 D757,280 S * 5/2016 Ogaki D24/200
 9,468,554 B2 10/2016 Petursson et al.
 D790,722 S * 6/2017 Tyler D24/207
 9,707,125 B2 7/2017 Gomez
 D800,327 S 10/2017 Dawson
 D833,629 S 11/2018 Chang
 10,159,588 B1 12/2018 Nelson
 10,172,738 B2 1/2019 Whitely
 2010/0217363 A1 * 8/2010 Whitely A61F 7/02
 607/112
 2010/0292622 A1 11/2010 Weissleder et al.
 2012/0289878 A1 11/2012 Schwenn et al.
 2015/0150716 A1 * 6/2015 Whitely A61F 7/02
 607/104

2016/0113801 A1 4/2016 Weissleder
 2017/0216076 A1 8/2017 Turconi et al.
 2019/0254865 A1 * 8/2019 Eddy A61F 7/10

FOREIGN PATENT DOCUMENTS

DE 102013203353 7/2018
 EP 1588678 6/2007
 KR 300559065 2/2010

OTHER PUBLICATIONS

Cryo8 ROM Hip Orthosis <http://pmpmed.com/product/cryo8-rom-hip-orthosis>, from internet on Feb. 6, 2020.
 Hip Ice and Heat Packs/Wraps <https://activewrap.com/products/hip-heat-ice-wrap> from internet on Feb. 6, 2020.
 Office Action dated Aug. 7, 2019 for U.S. Appl. No. 29/693,700.
 Office Action dated Nov. 19, 2019 for U.S. Appl. No. 29/693,700.
 Thermo Active, Hip and Knee Orthosis <http://thermoactive.com/products> from internet Feb. 6, 2020.
 Hip Support, REH4MAT; site visited May 30, 2019; <https://reh4mat.com/en/produkt/hip-stabilixation/hip-support-am-sb-01>.
 Hoffner Underguard Covert Thigh Weapon & Accessory Holster, Hoffner Knives; site visited May 30, 2019; <https://www.amazon.com/Hoffner-Underguard-Acessory-Holster-Garments/dp/B0791XQJCL>.
 Neoprene Knif Thigh Holster, Innovative Scuba Concepts; site visited May 30, 2019; <http://www.spearfishingworld.com/neoprene-knife-thigh-holster.html>, 2019.

* cited by examiner

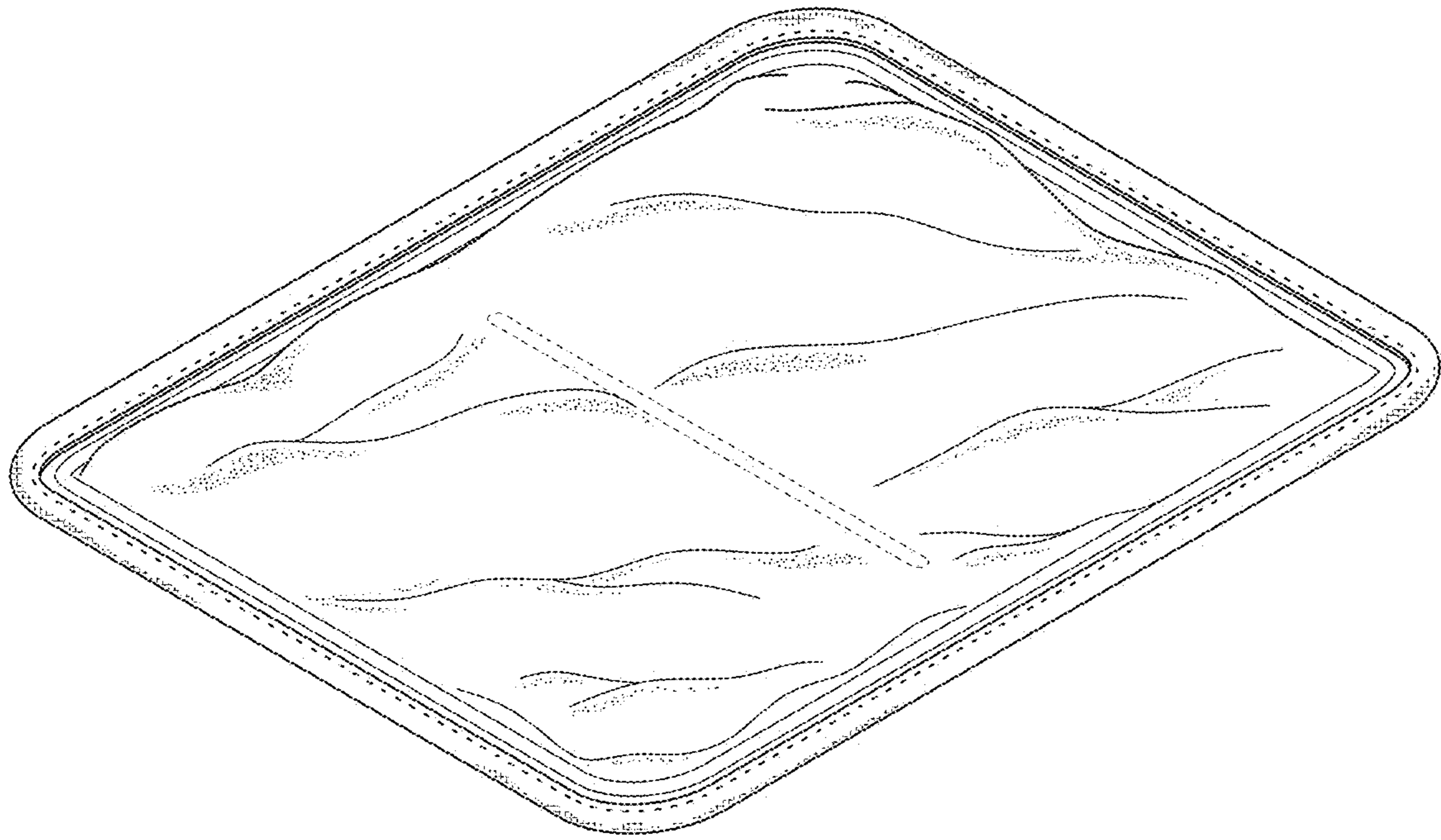


FIG. 1

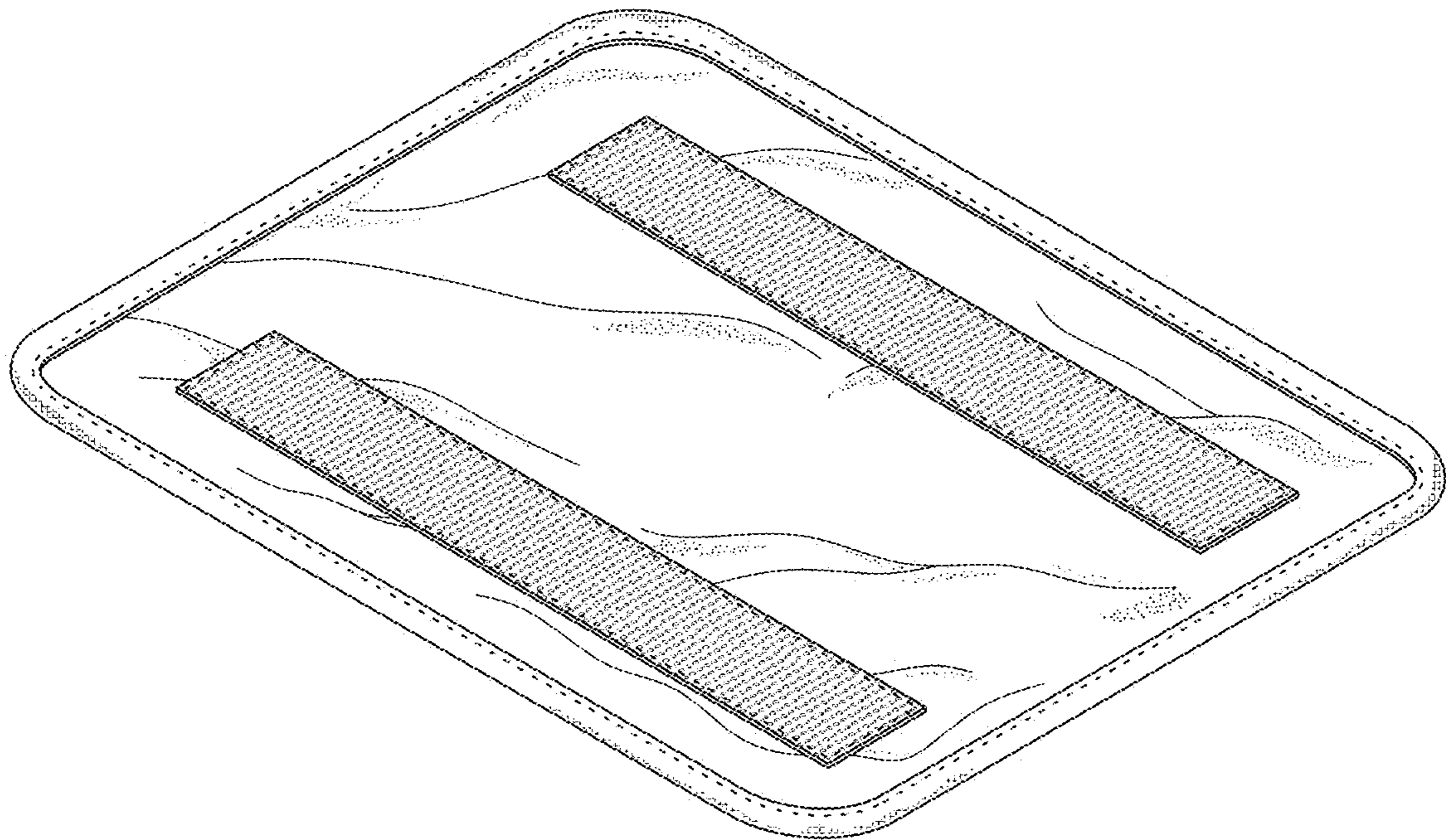


FIG. 2

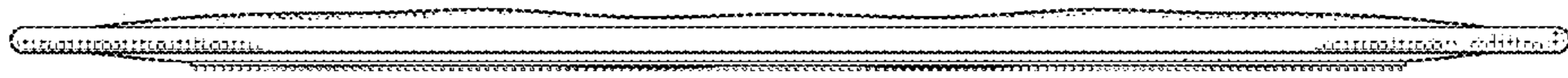


FIG. 6



FIG. 5

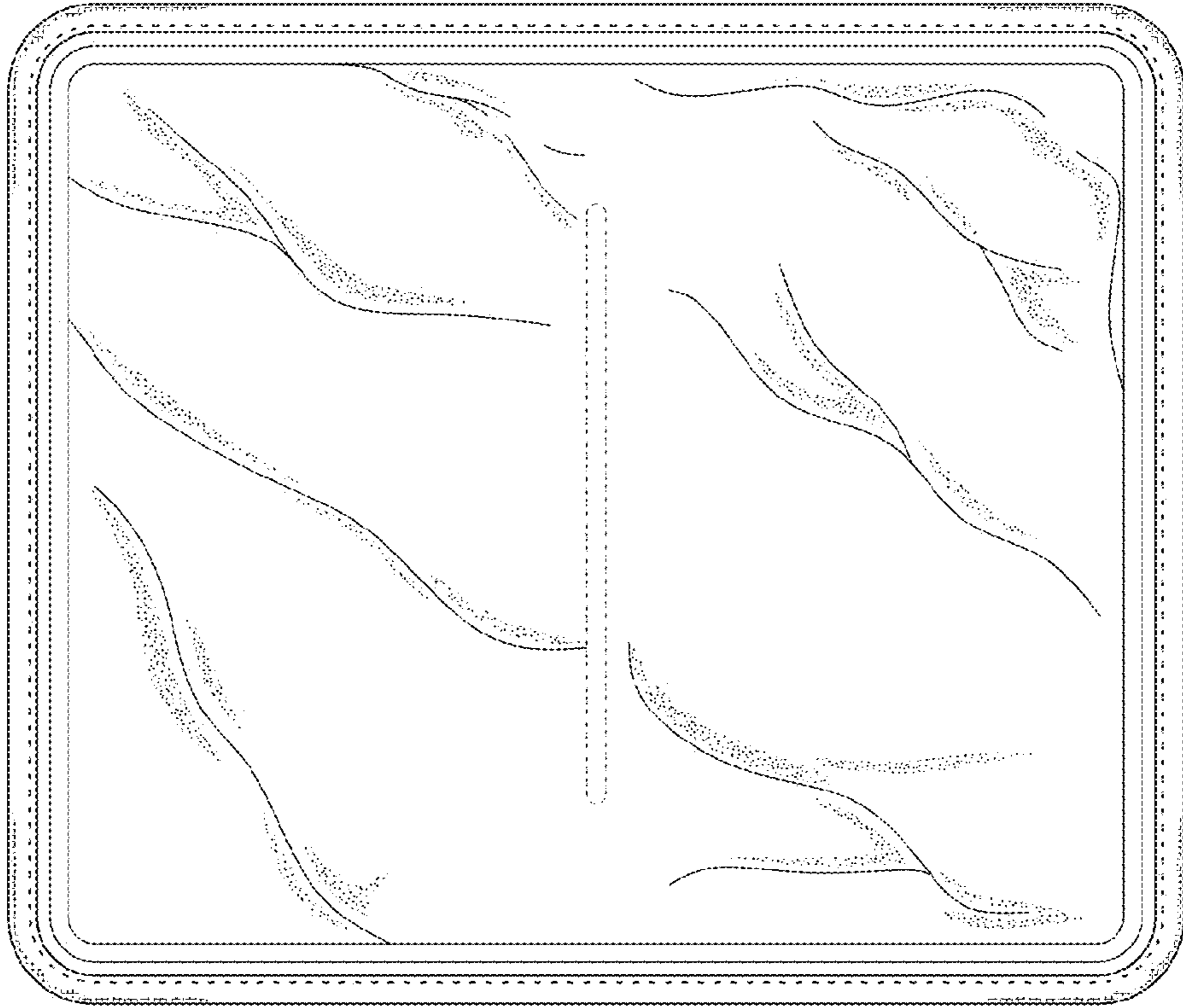


FIG. 3

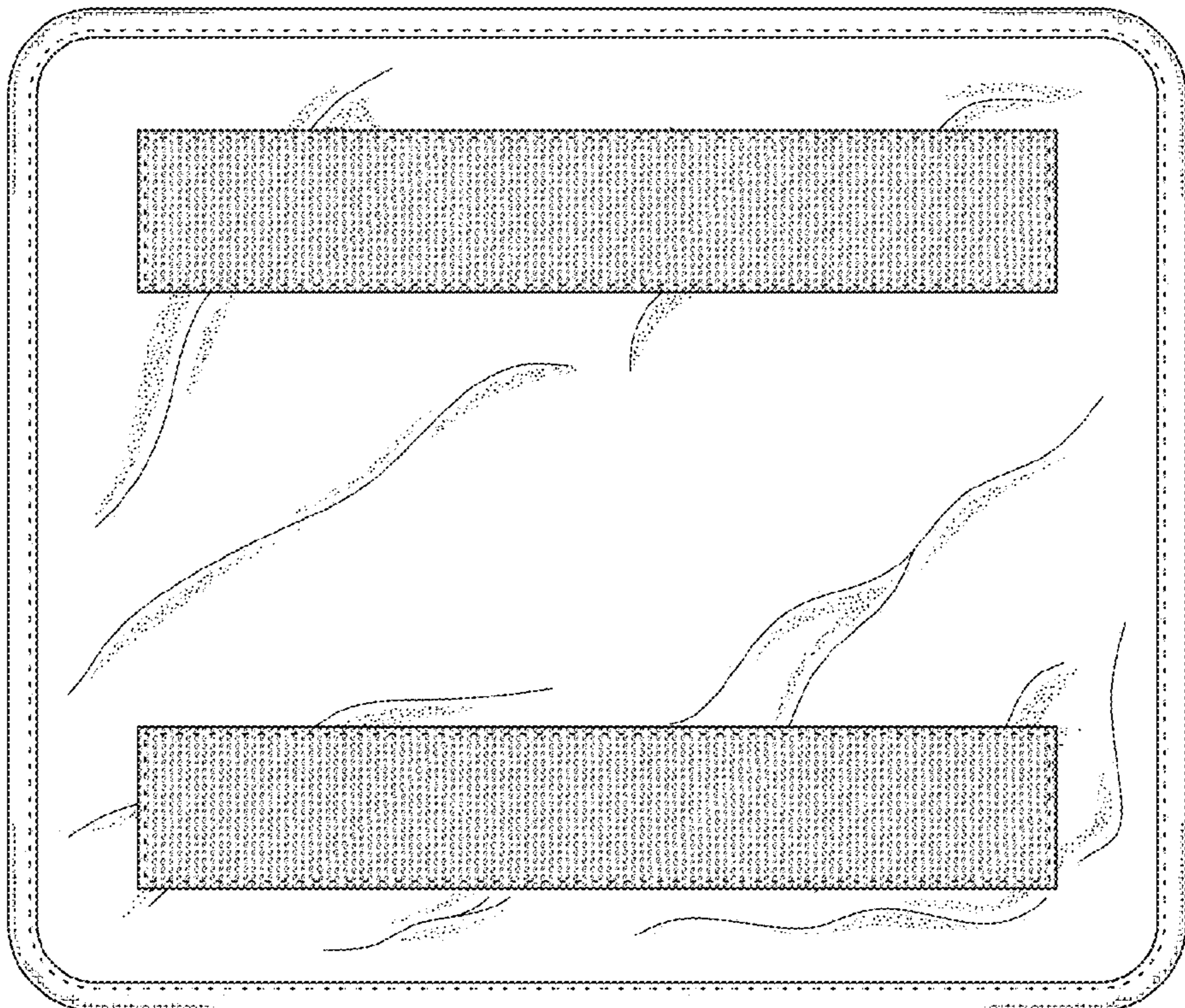


FIG. 4

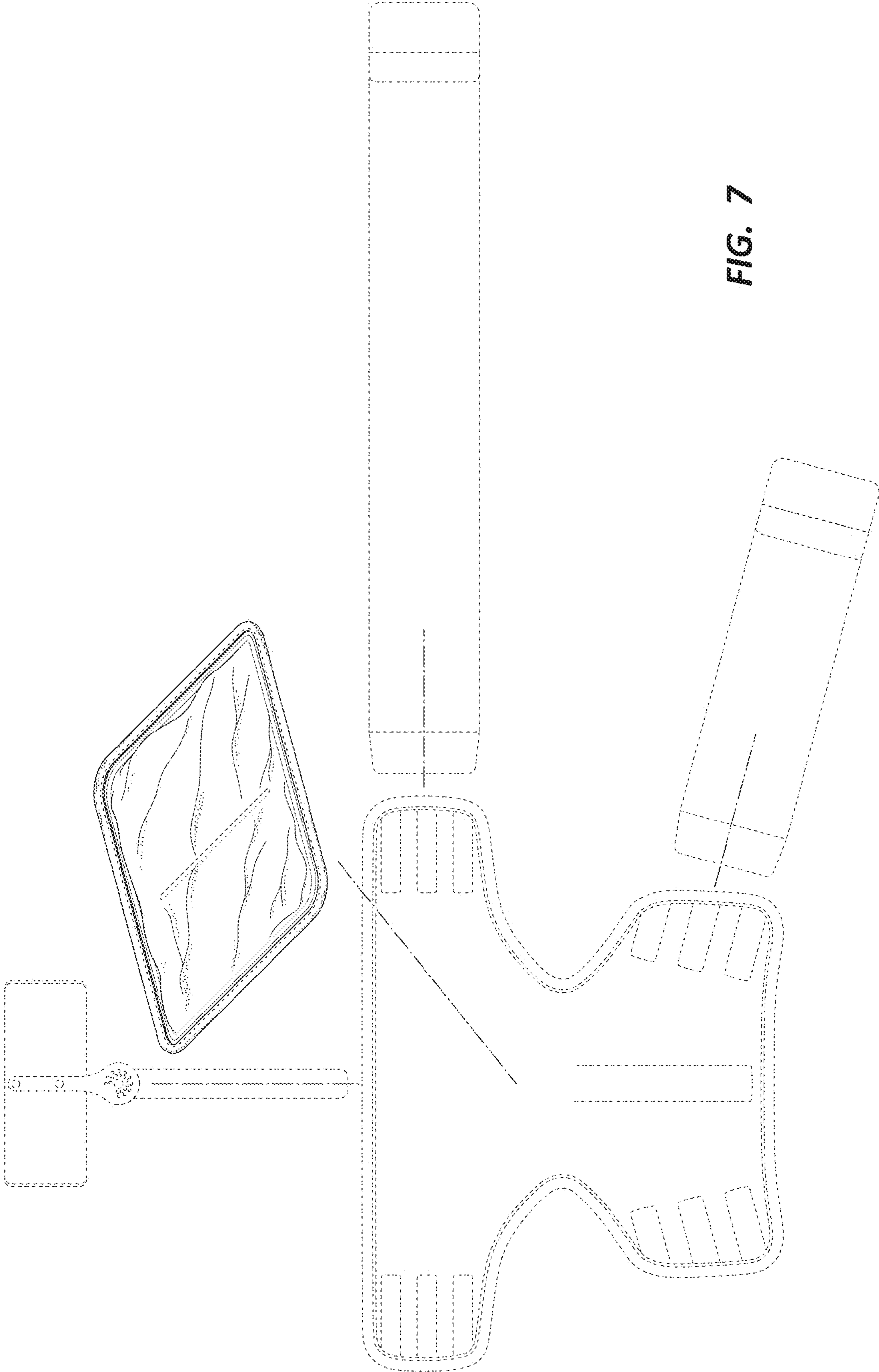


FIG. 7

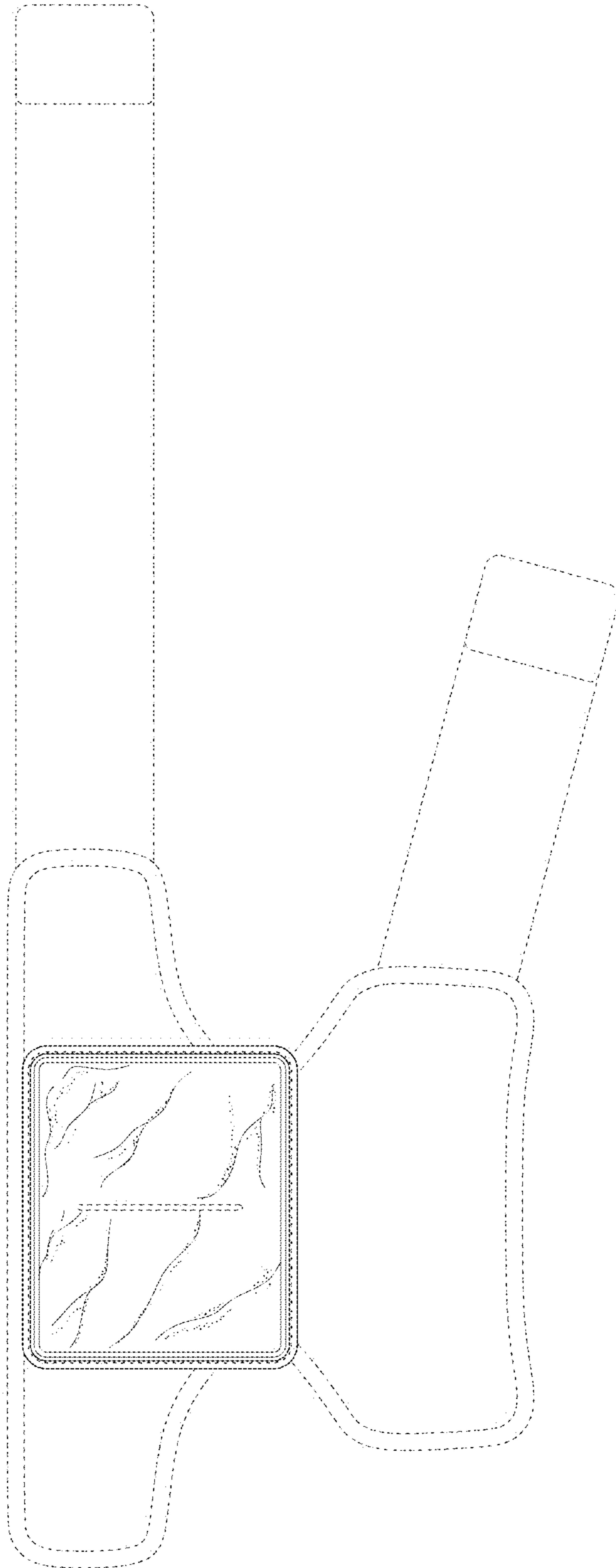


FIG. 8

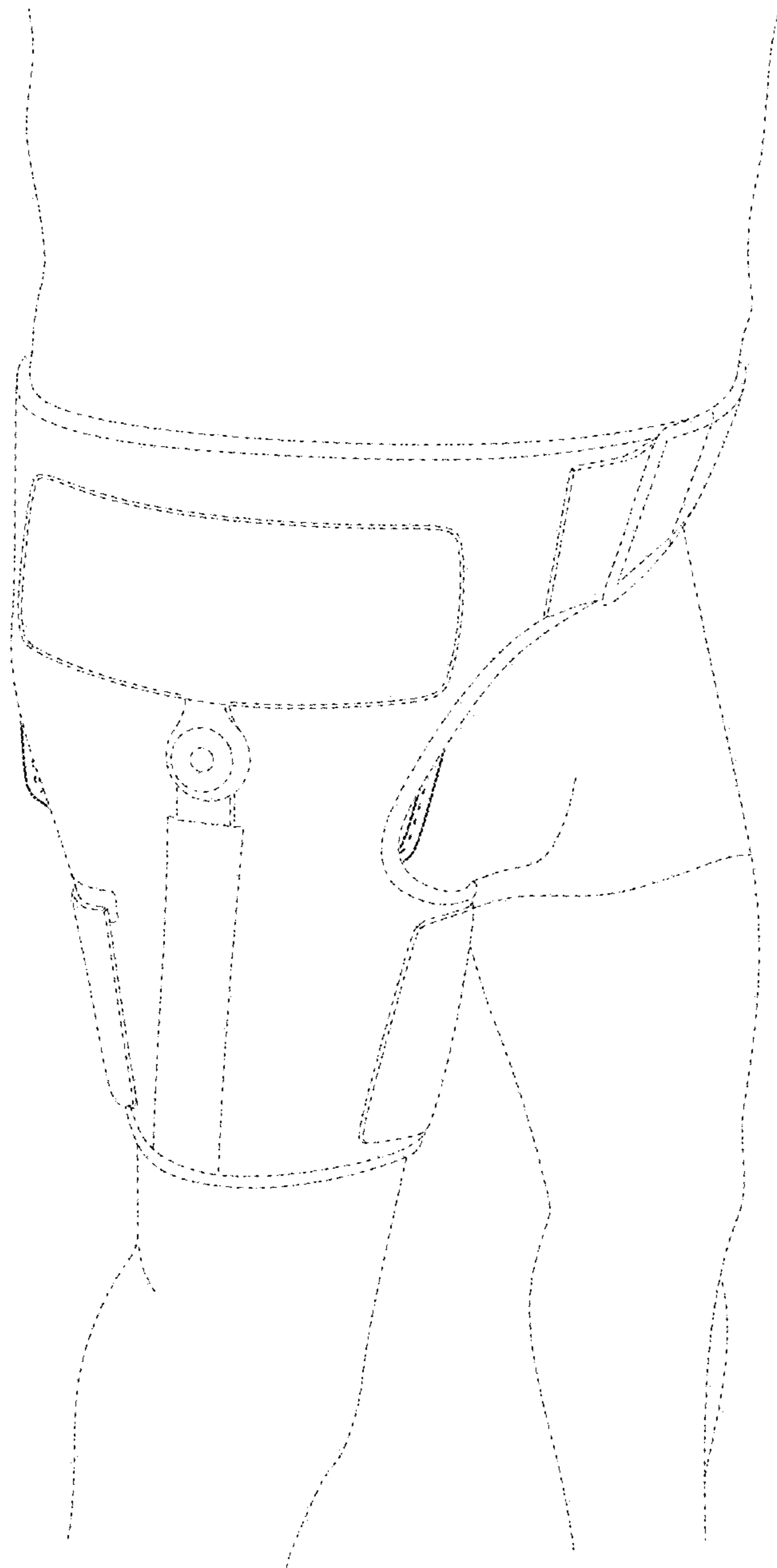


FIG. 9