



US00D890354S

(12) **United States Design Patent**
Fang

(10) **Patent No.:** **US D890,354 S**

(45) **Date of Patent:** **** Jul. 14, 2020**

(54) **NECK COOLER**

(71) Applicant: **SHENZHEN WU DI TECHNOLOGY COMPANY LTD.**, Shenzhen, Guangdong Province (CN)

(72) Inventor: **Te Hsiang Fang**, Shenzhen (CN)

(**) Term: **15 Years**

(21) Appl. No.: **29/677,884**

(22) Filed: **Jan. 24, 2019**

(30) **Foreign Application Priority Data**

Jan. 8, 2019 (CN) 2019 3 0008037

(51) **LOC (12) Cl.** **24-04**

(52) **U.S. Cl.**
USPC **D24/206**

(58) **Field of Classification Search**
USPC D24/206–208; 607/96, 108–109, 112; D23/314, 332, 351
CPC A61F 7/106; A61F 7/02; A61F 2007/0011
See application file for complete search history.

(56) **References Cited**

U.S. PATENT DOCUMENTS

- 5,802,865 A * 9/1998 Strauss A61F 7/10 62/259.3
- D442,269 S * 5/2001 Pinchuk D23/351
- D455,481 S * 4/2002 Christianson D24/206
- D457,945 S * 5/2002 Pinchuk D24/206
- D676,139 S * 2/2013 Golzari D24/200

- 2003/0055473 A1* 3/2003 Ramsden A61F 7/10 607/109
- 2010/0198322 A1* 8/2010 Joseph A61F 7/007 607/108
- 2018/0064574 A1* 3/2018 Adair A61F 7/02

OTHER PUBLICATIONS

SAQIMA Neck-Mounted Fan, USB Physical Cooling Travel Hanging Neck Cooler Earphone Design Sport Smart Fan. Retrieved on Mar. 2, 2020. Retrieved from Internet: <URL: <https://www.amazon.com/SAQIMA-Neck-Mounted-Physical-Earphone-Smart/dp/B07WH1BRXC>>.*

* cited by examiner

Primary Examiner — Wan Laymon
(74) *Attorney, Agent, or Firm* — Novoclaims Patent Services LLC; Mei Lin Wong

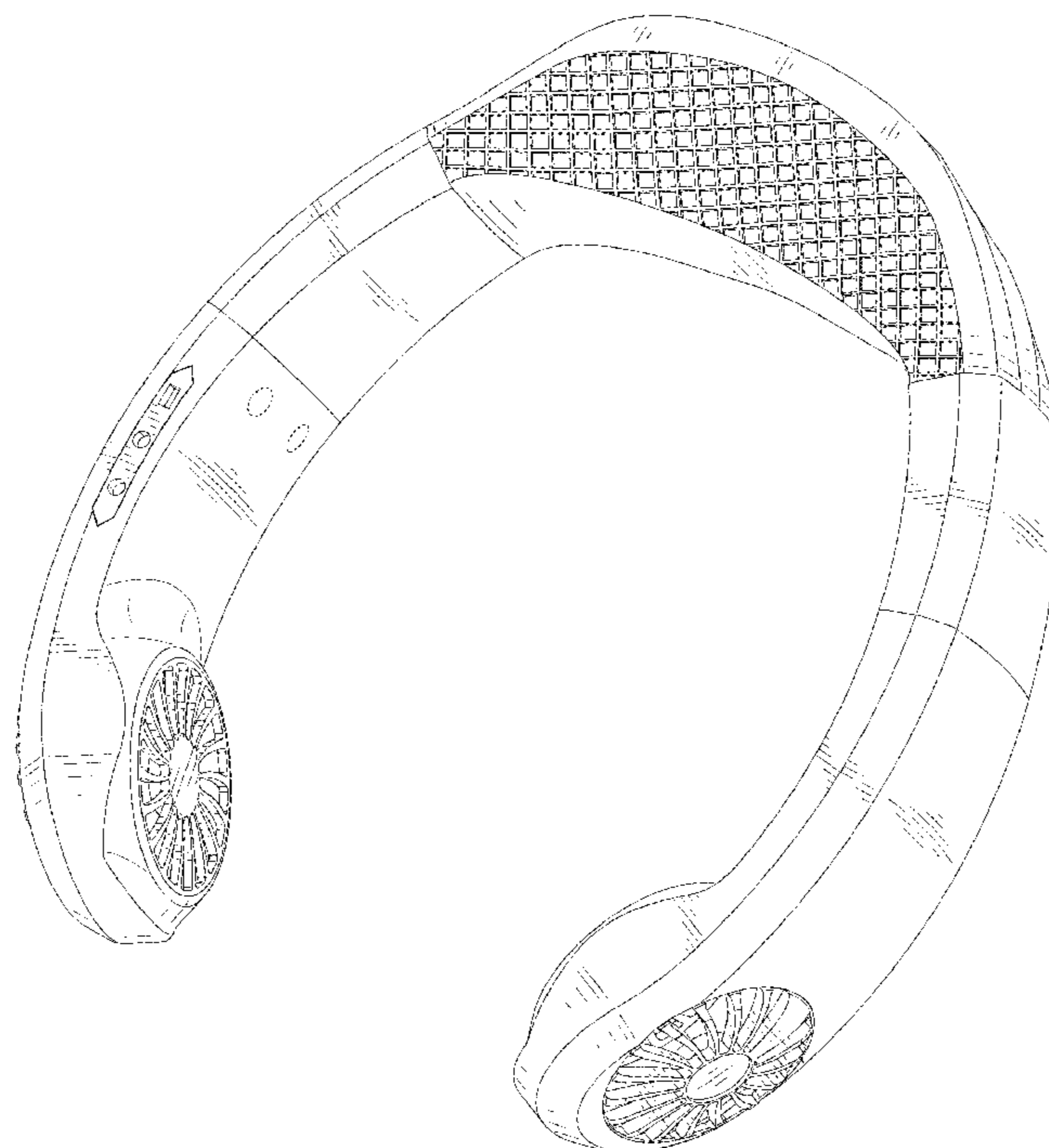
(57) **CLAIM**

The ornamental design for a neck cooler, as shown and described.

DESCRIPTION

FIG. 1 is a front view of a neck cooler, showing my new design;
FIG. 2 is a rear view thereof;
FIG. 3 is a left side view thereof;
FIG. 4 is a right side view thereof;
FIG. 5 is a top view thereof
FIG. 6 is a bottom view thereof;
FIG. 7 is a front perspective view thereof; and,
FIG. 8 is a rear perspective view thereof.
The broken-line in the drawings are included for the purpose of showing portions of the article that form no part of the claimed design.

1 Claim, 8 Drawing Sheets



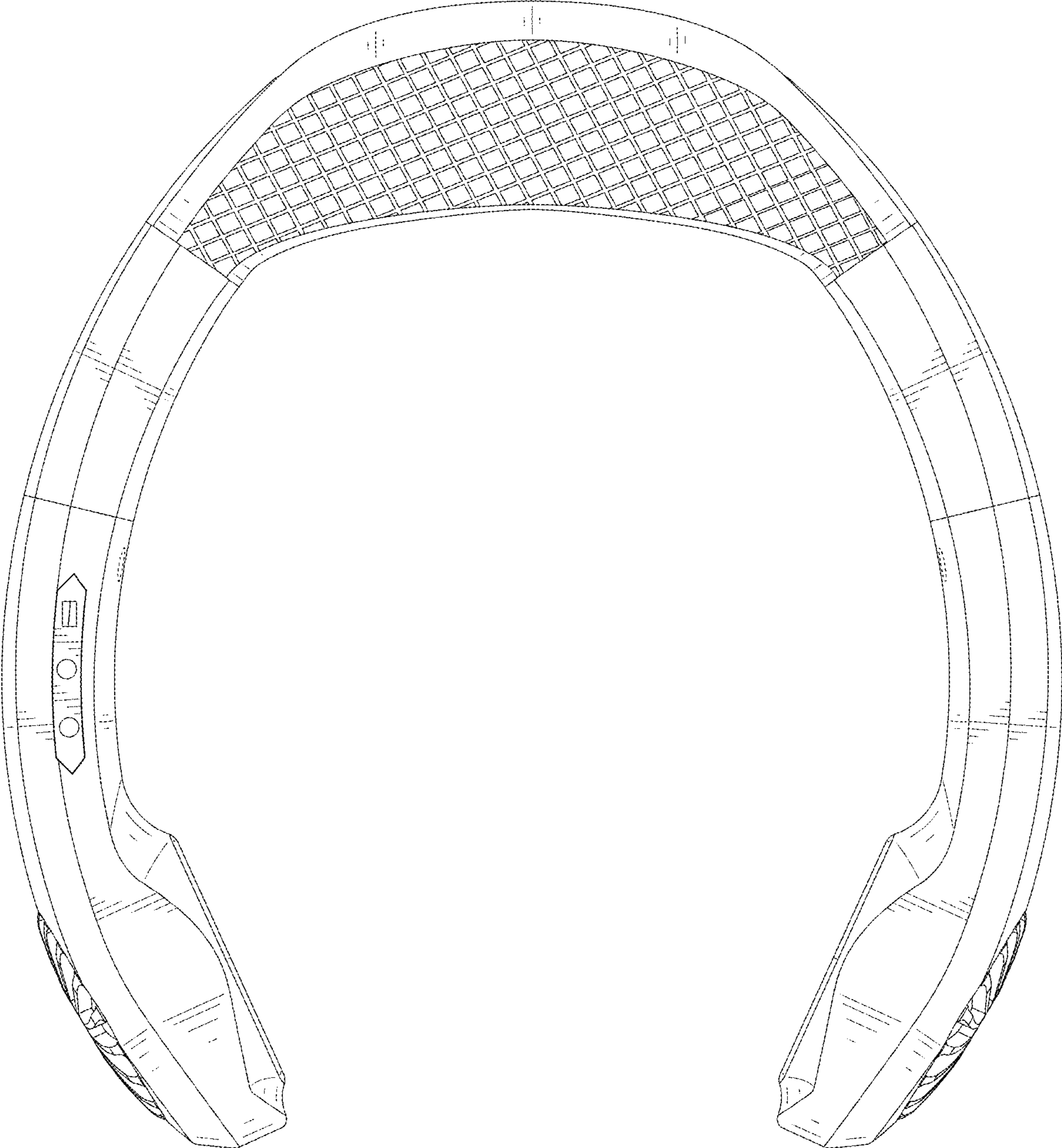


FIG.1

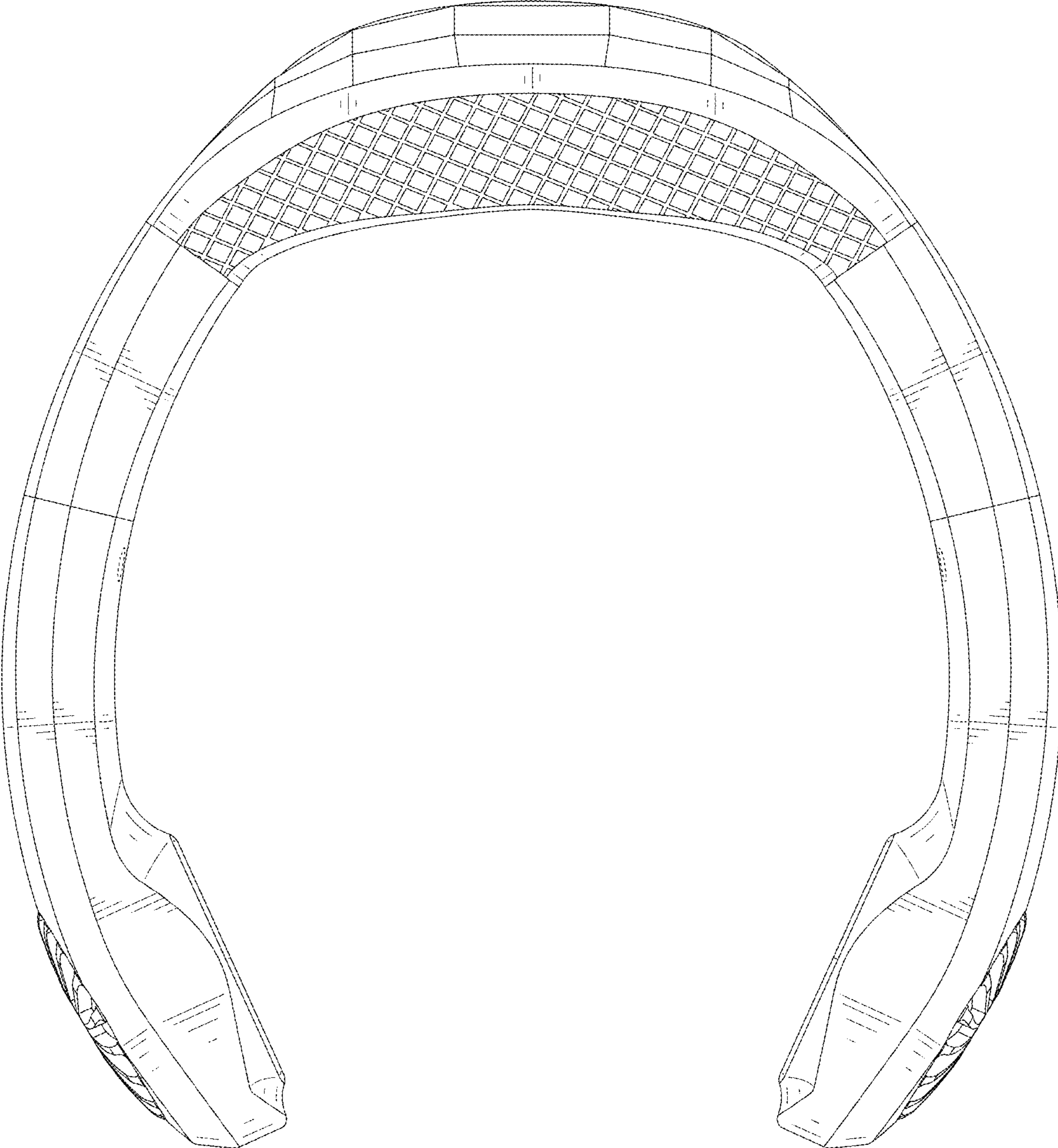


FIG.2

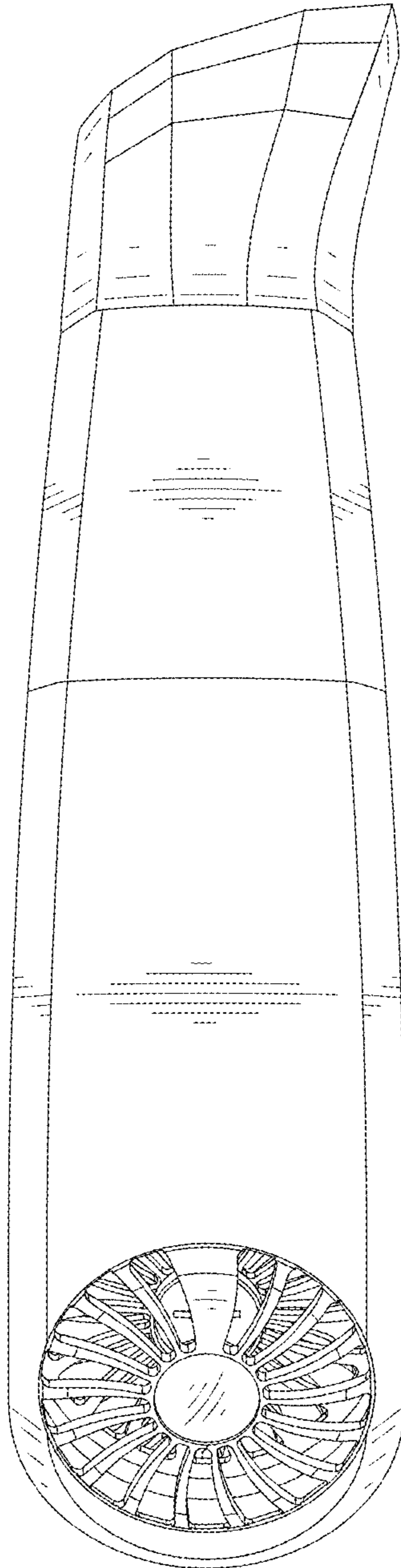


FIG.3

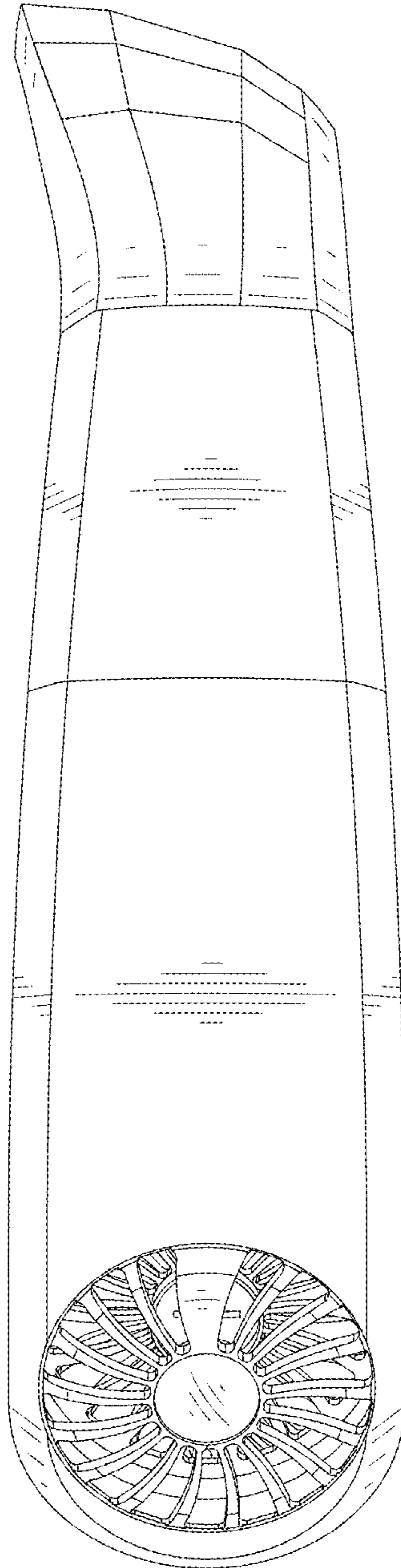


FIG.4

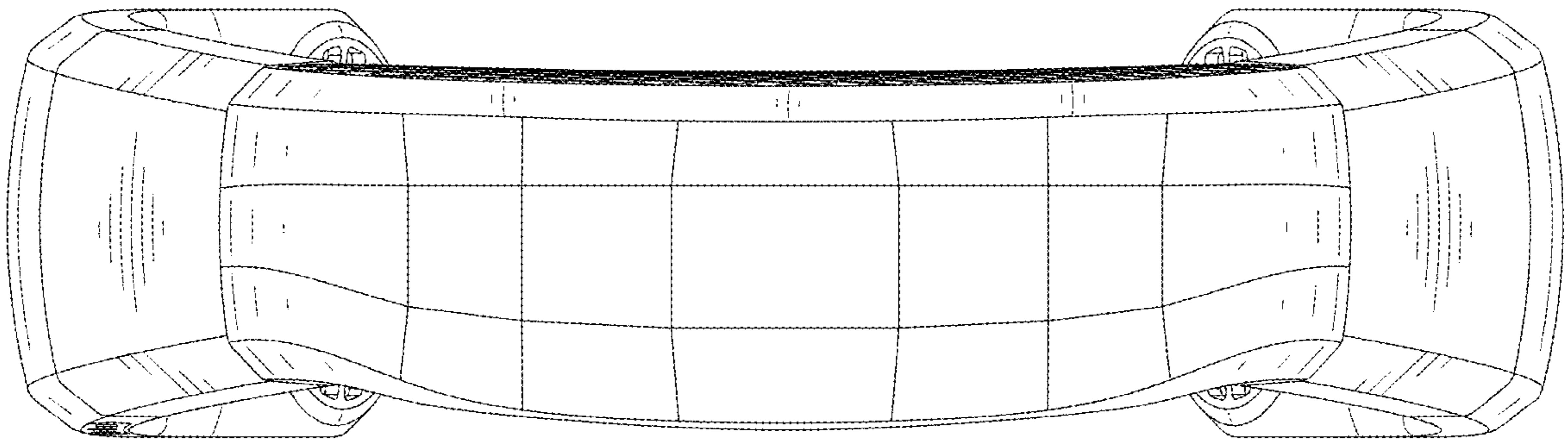


FIG.5

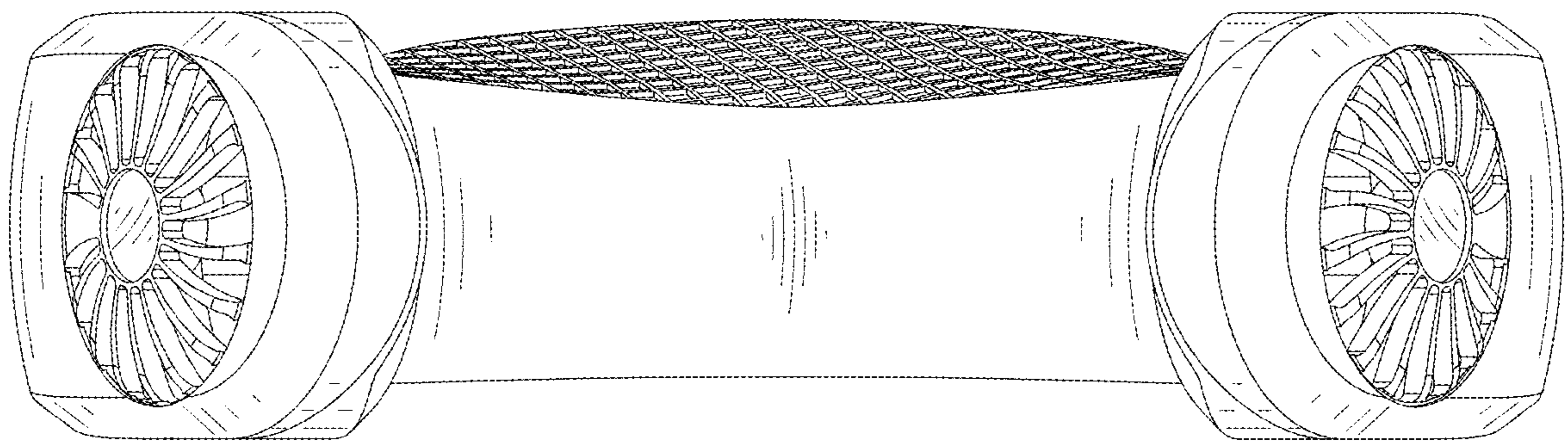


FIG.6

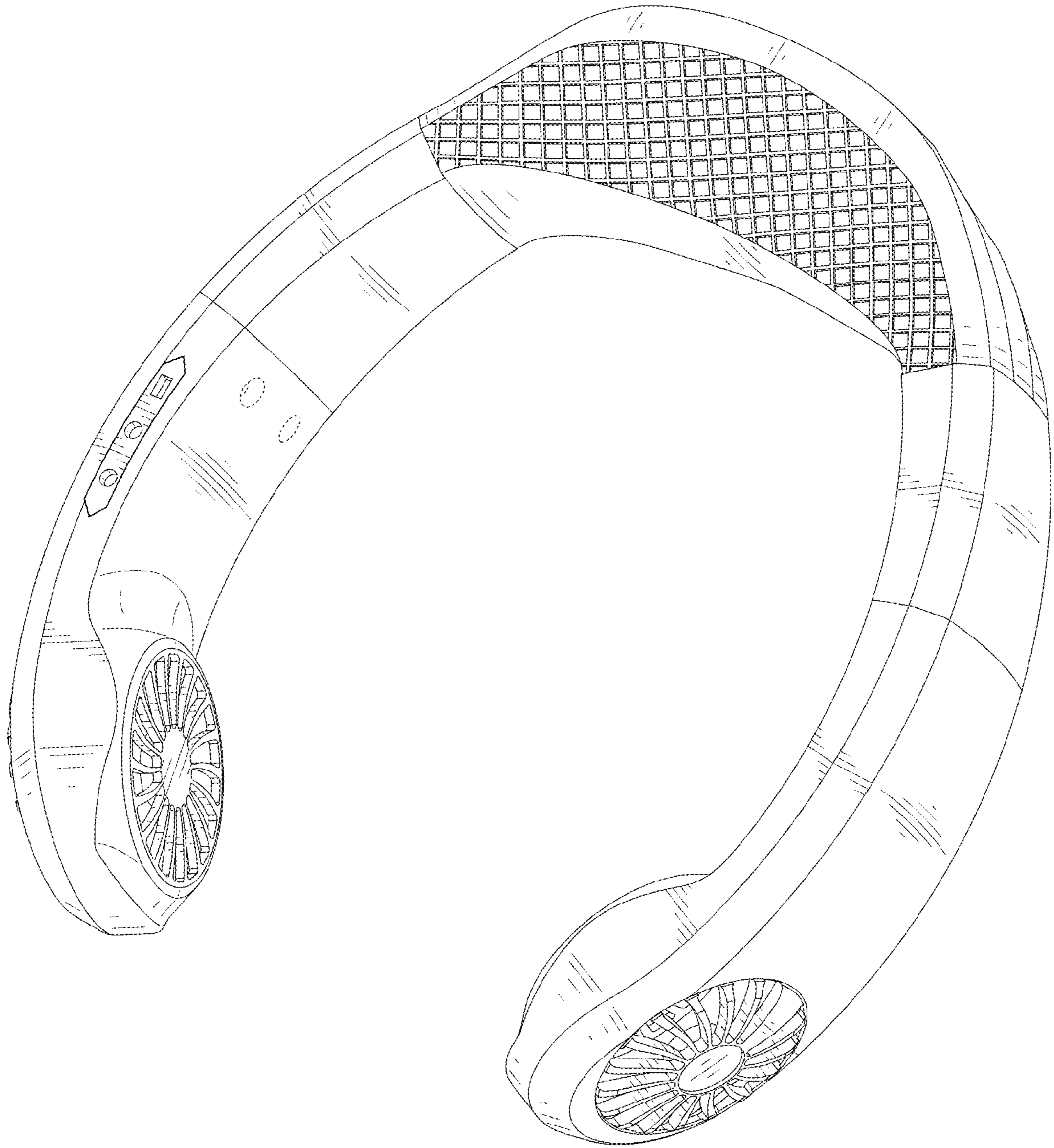


FIG.7

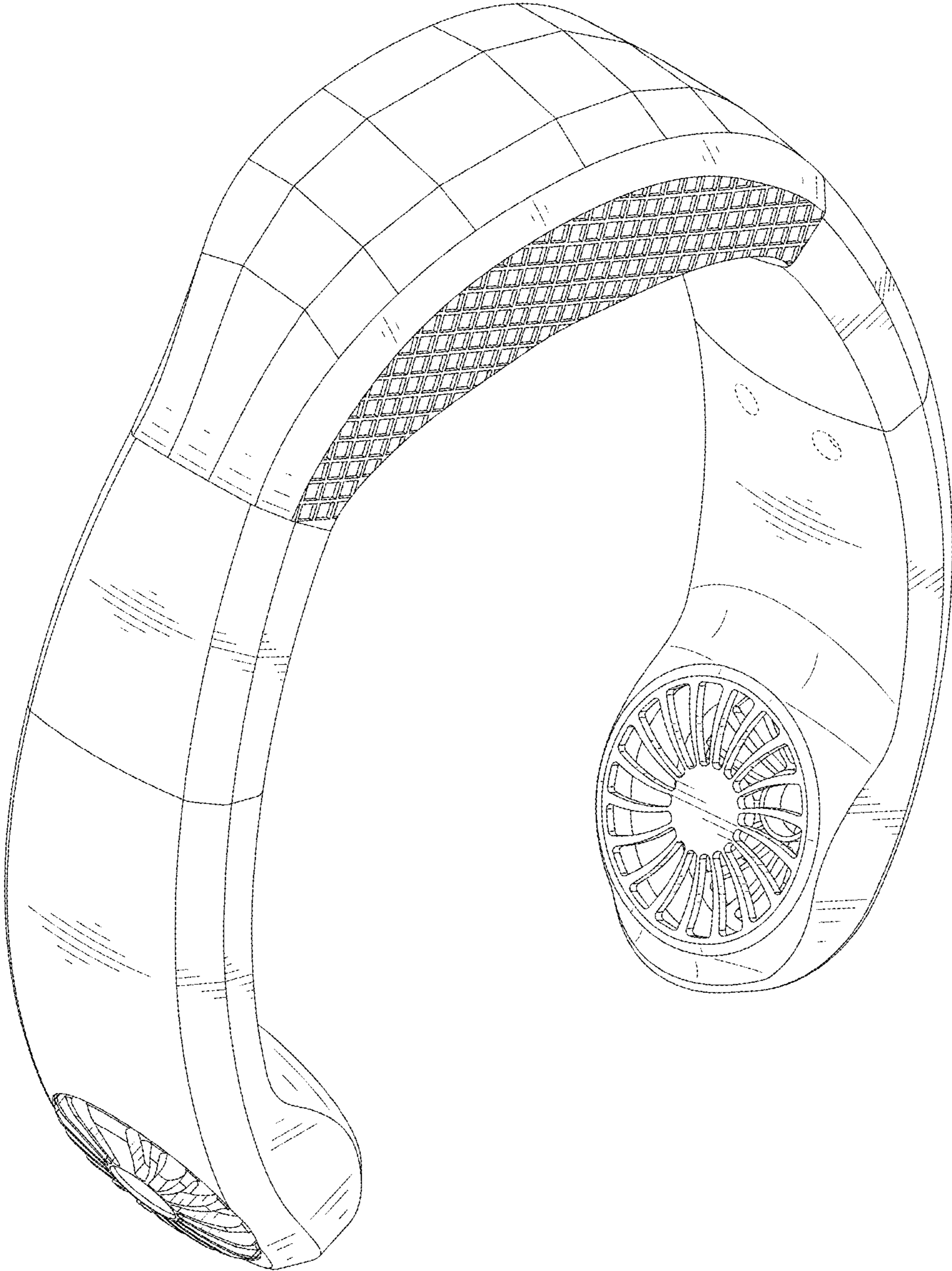


FIG.8