



US00D890352S

(12) **United States Design Patent**
Dechow

(10) **Patent No.:** **US D890,352 S**

(45) **Date of Patent:** **** Jul. 14, 2020**

(54) **BANDAGE PAD WITH EMBOSSING PATTERN**

(71) Applicant: **Gregory R. Dechow**, Sarasota, FL (US)

(72) Inventor: **Gregory R. Dechow**, Sarasota, FL (US)

(73) Assignee: **Aso LLC**, Sarasota, FL (US)

(**) Term: **15 Years**

(21) Appl. No.: **29/653,519**

(22) Filed: **Jun. 15, 2018**

(51) **LOC (12) Cl.** **24-04**

(52) **U.S. Cl.**
USPC **D24/189**

(58) **Field of Classification Search**
USPC D24/112, 124-128, 132, 133, 185-193,
D24/199, 200, 206, 209, 210, 212-215;
D29/100, 108, 120.1, 121.1, 121.2;
D30/146
CPC . A61M 1/0088; A61F 13/00; A61F 13/00021;
A61F 13/066; A61F 13/0206; A61F
13/0203; A61F 13/00025; A61F
13/00038; A61F 13/023; A61F 13/0243;
A61F 13/0266

See application file for complete search history.

(56) **References Cited**

U.S. PATENT DOCUMENTS

7,811,021 B2 * 10/2010 Gueret A45D 33/02
401/196
7,982,087 B2 * 7/2011 Greener A61F 13/0203
602/42

D648,439 S * 11/2011 Greener D24/189
D707,829 S * 6/2014 Chan D24/189
D745,688 S * 12/2015 Chan D24/189
D745,689 S * 12/2015 Chan D24/189
D745,690 S * 12/2015 Devenish D24/189
D757,950 S * 5/2016 Karlsson D24/189
9,511,215 B2 * 12/2016 Skiba A61N 1/30
D789,616 S * 6/2017 Votel D29/121.1
D790,071 S * 6/2017 Ahsani D24/189

OTHER PUBLICATIONS

Dawn Breeze. Rolled Non-stick Absorbent Pad with Film. No date specified. <https://www.dawnbreezetrading.com/product/rolled-non-stick-absorbent-pad-with-film/> (Year: 0).*

* cited by examiner

Primary Examiner — Darcey E Gottschalk

(74) *Attorney, Agent, or Firm* — Mersenne Law

(57) **CLAIM**

The ornamental design for a bandage pad with embossing pattern, as shown and described.

DESCRIPTION

FIG. 1 is an isometric view of a first embodiment of a bandage pad with embossing pattern of the present invention; and,

FIG. 2 is an isometric view of a second embodiment of a bandage pad with embossing pattern of the present invention.

In the drawings, the broken lines show portions of a bandage that form no part of the claim.

1 Claim, 1 Drawing Sheet

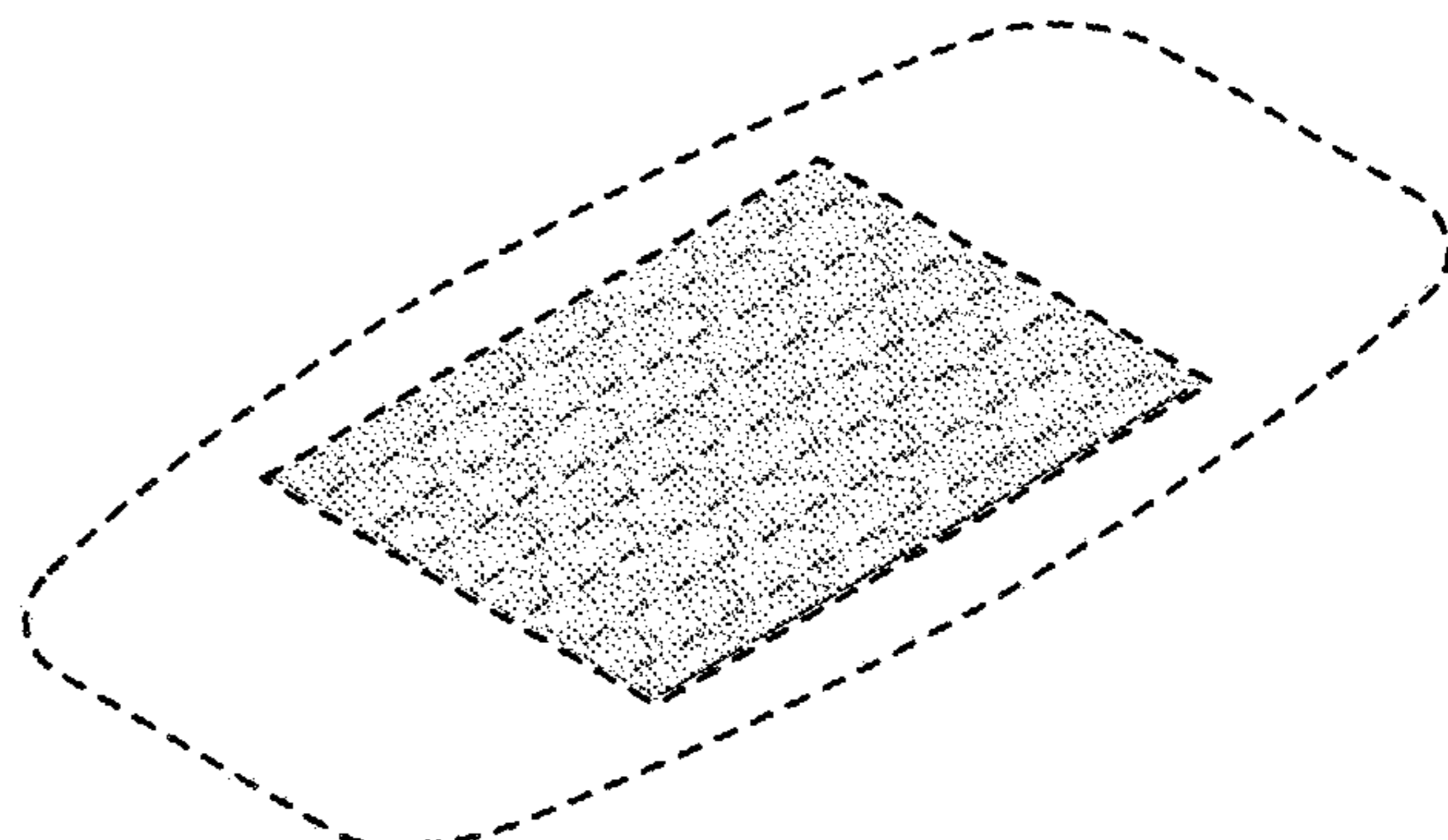
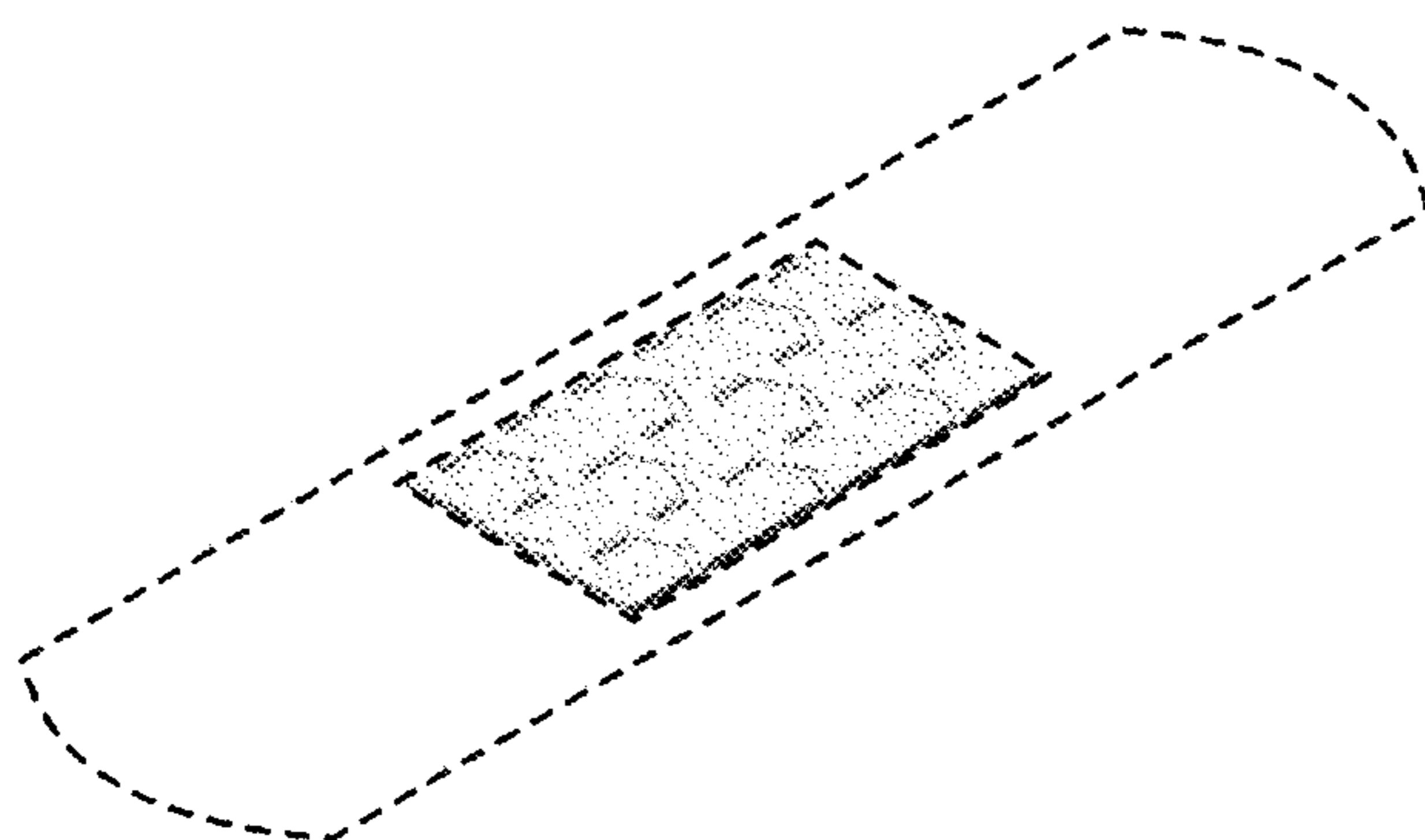


Fig. 1

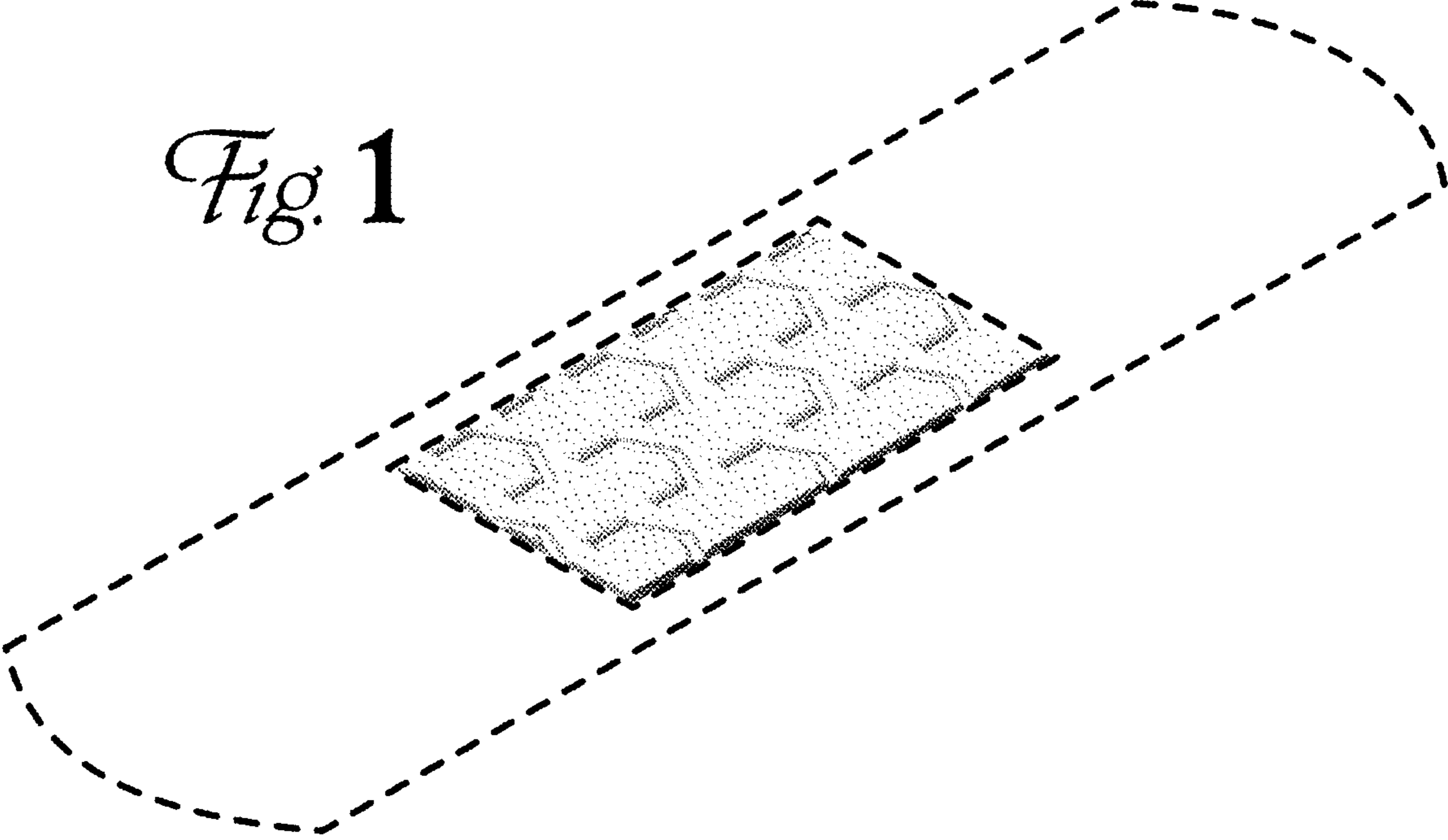


Fig. 2

