



US00D890351S

(12) **United States Design Patent** (10) **Patent No.:** **US D890,351 S**  
**Sung** (45) **Date of Patent:** **\*\* Jul. 14, 2020**

(54) **DRUG INJECTION DEVICE FOR PATIENT**

(71) Applicant: **PANACE CO., LTD.**, Seongnam-si (KR)

(72) Inventor: **Tae Yoon Sung**, Seoul (KR)

(73) Assignee: **PANACE CO., LTD.**, Seongnam-si, Gyeonggi-do (KR)

(\*\*) Term: **15 Years**

(21) Appl. No.: **35/506,676**

(22) Filed: **Nov. 27, 2018**

(80) **Hague Agreement Data**

Int. Filing Date: **Nov. 27, 2018**

Int. Reg. No.: **DM/200639**

Int. Reg. Date: **Nov. 27, 2018**

Int. Reg. Pub. Date: **Apr. 26, 2019**

(51) **LOC (12) Cl.** ..... **24-02**

(52) **U.S. Cl.**  
USPC ..... **D24/185**

(58) **Field of Classification Search**

USPC ..... D24/133, 137, 138, 185, 186, 144, 158, D24/177, 108, 200, 111

CPC ..... A61M 2205/52; A61M 2205/502; A61M 2205/50; A61M 5/14; A61M 5/142

See application file for complete search history.

(56) **References Cited**

**U.S. PATENT DOCUMENTS**

D503,981 S \* 4/2005 Fischer ..... D24/185  
D550,362 S \* 9/2007 Olivera ..... D24/185

D626,236 S \* 10/2010 Ninomiya ..... D24/185  
D658,762 S \* 5/2012 Yokoyama ..... D24/158  
D726,324 S \* 4/2015 Duncan ..... D24/177  
D751,209 S \* 3/2016 Dimino ..... D24/185  
D812,231 S \* 3/2018 Duncan ..... D24/177  
2019/0151674 A1\* 5/2019 Yoon ..... A61N 1/06

\* cited by examiner

*Primary Examiner* — Eliza Z Bennett-Hattan

(74) *Attorney, Agent, or Firm* — Rabin & Berdo, P.C.

(57) **CLAIM**

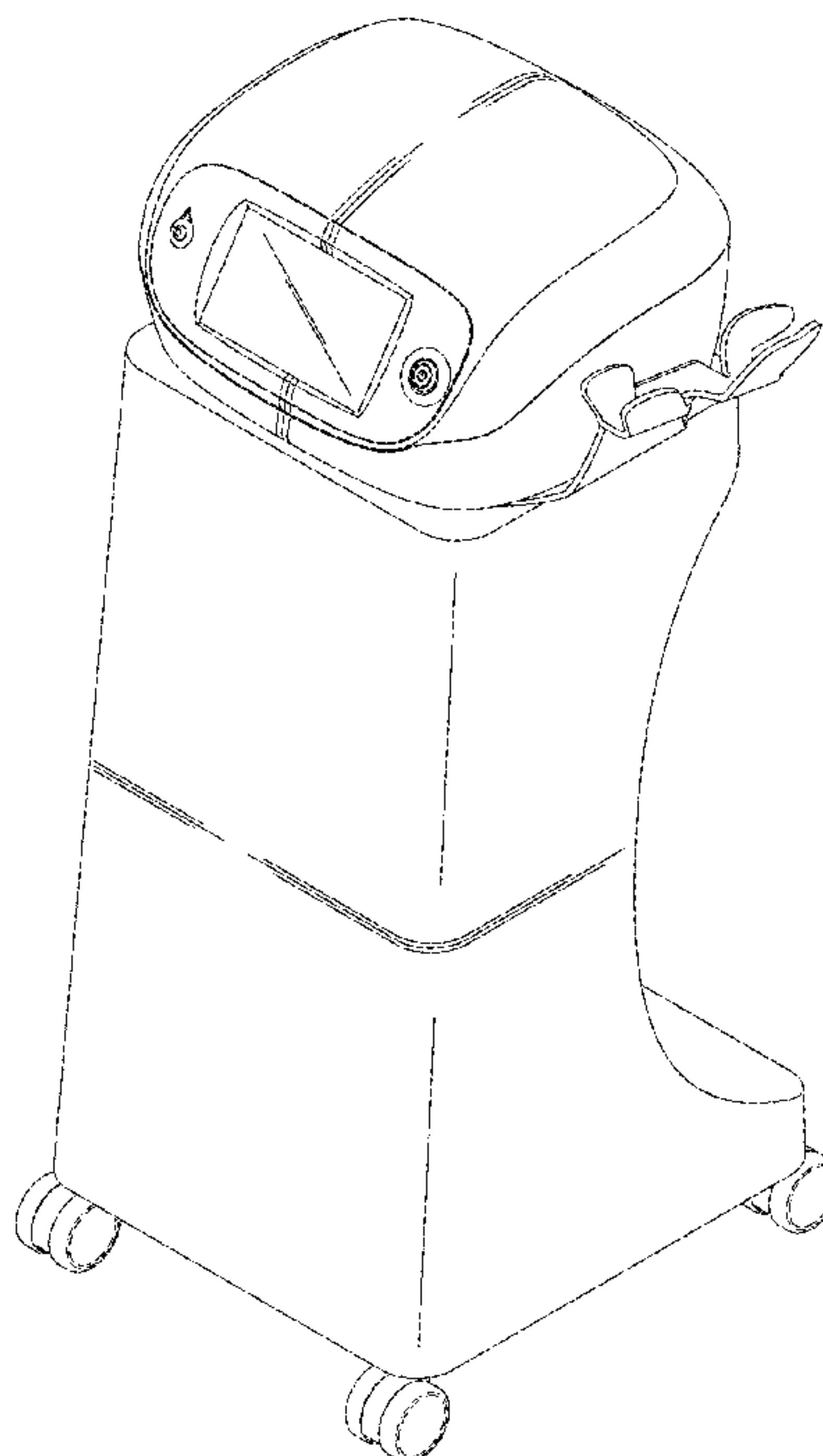
The ornamental design for a drug injection device for patient, as shown and described.

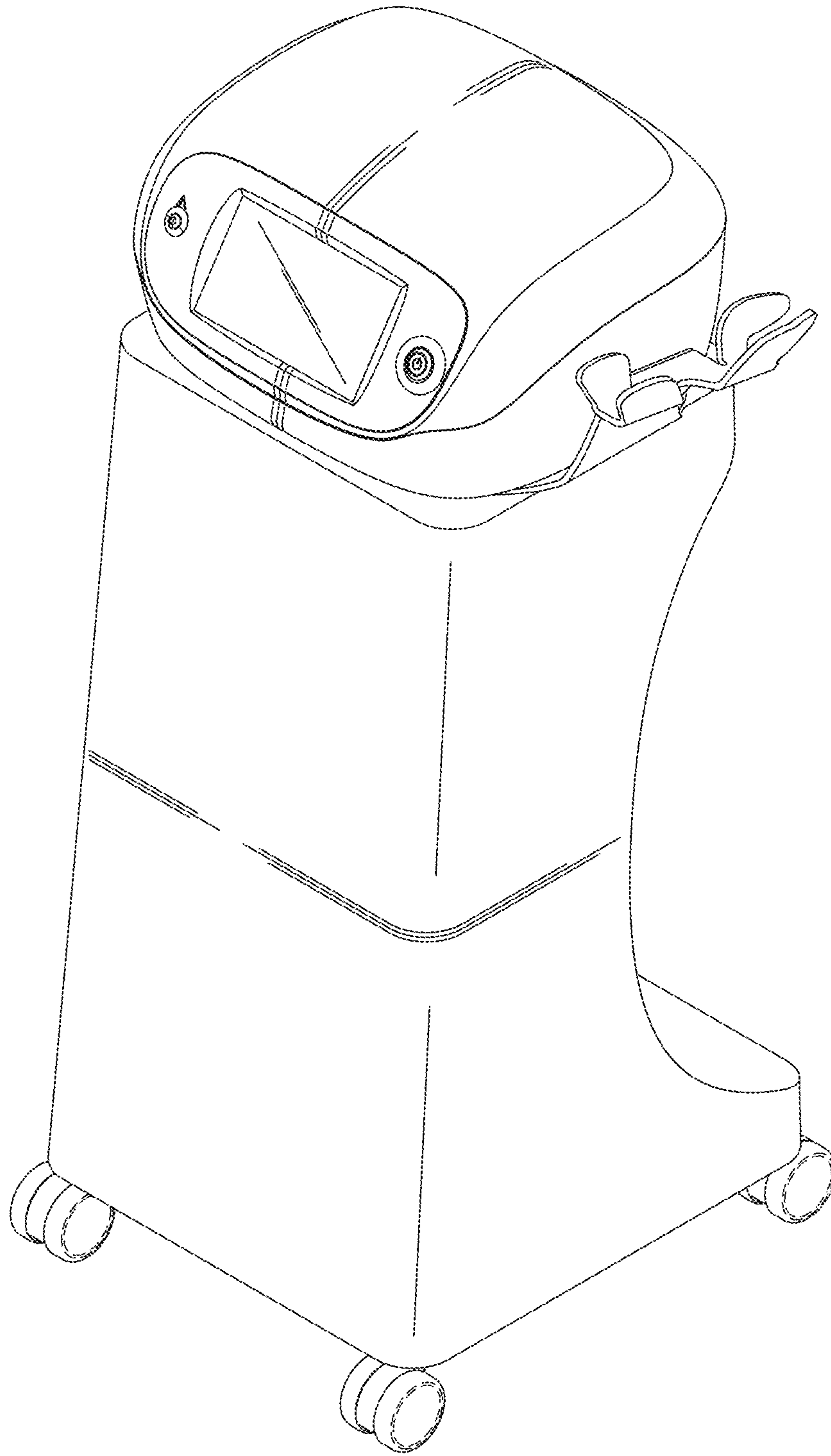
**DESCRIPTION**

- 1. Drug injection device for patient
- 1.1 is a top perspective view of a drug injection device for patient;
- 1.2 is a front view thereof;
- 1.3 is a rear view thereof;
- 1.4 is a top view thereof;
- 1.5 is a bottom view thereof;
- 1.6 is a right side view thereof;
- 1.7 is a left side view thereof.

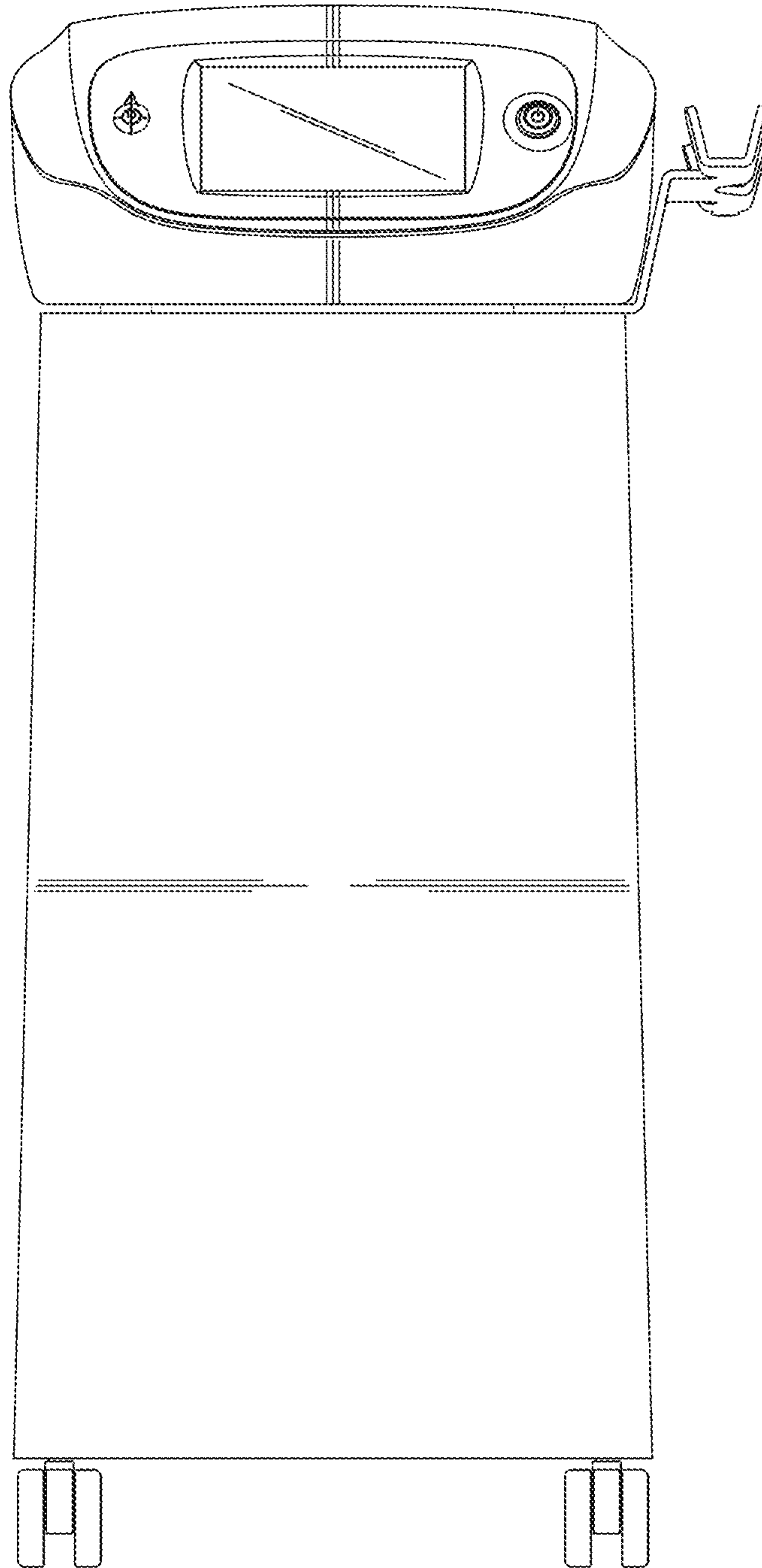
The broken lines in the drawing depict unclaimed portions of the drug injection device for patient only and form no part of the claimed design.

**1 Claim, 7 Drawing Sheets**

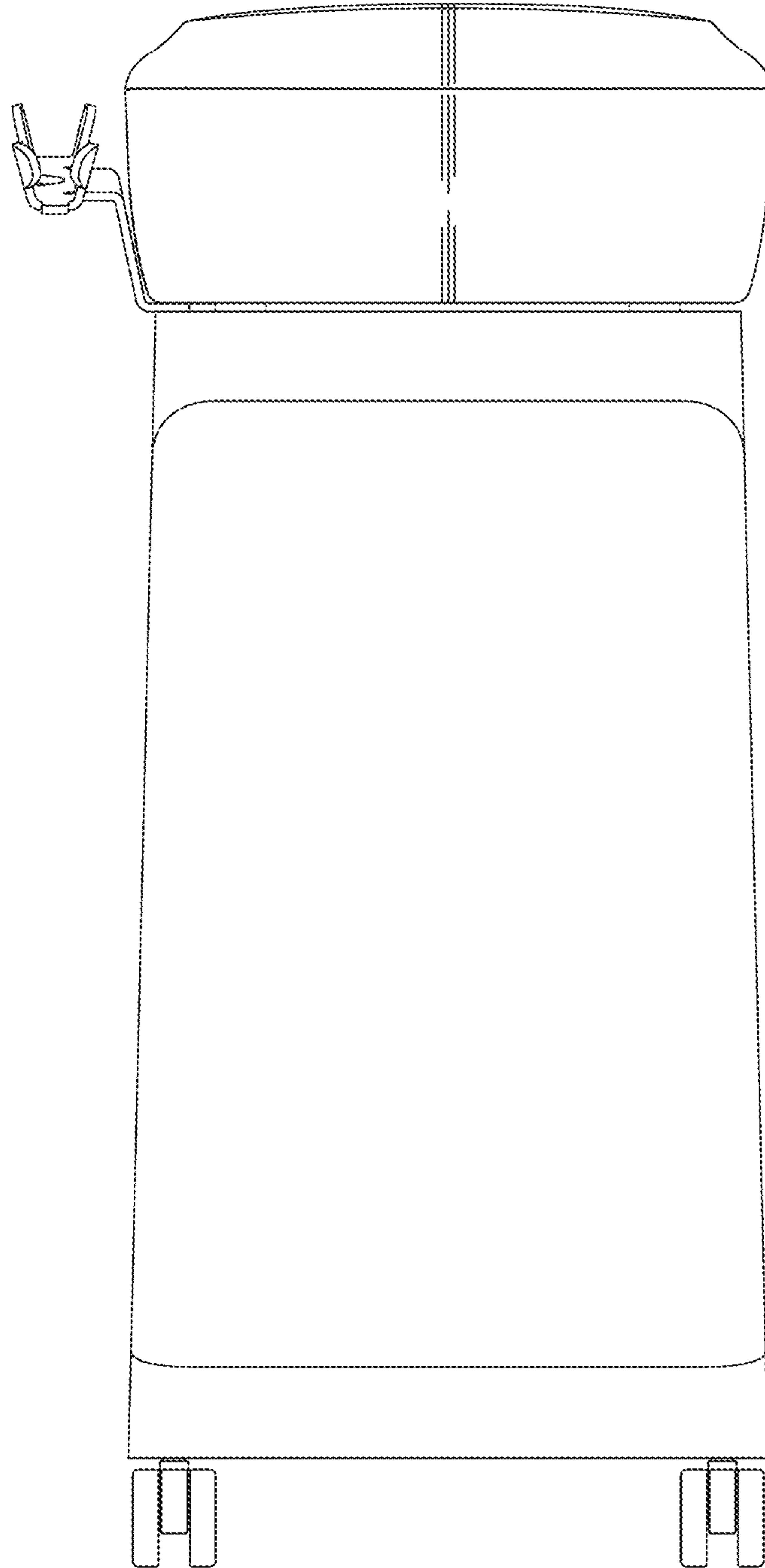




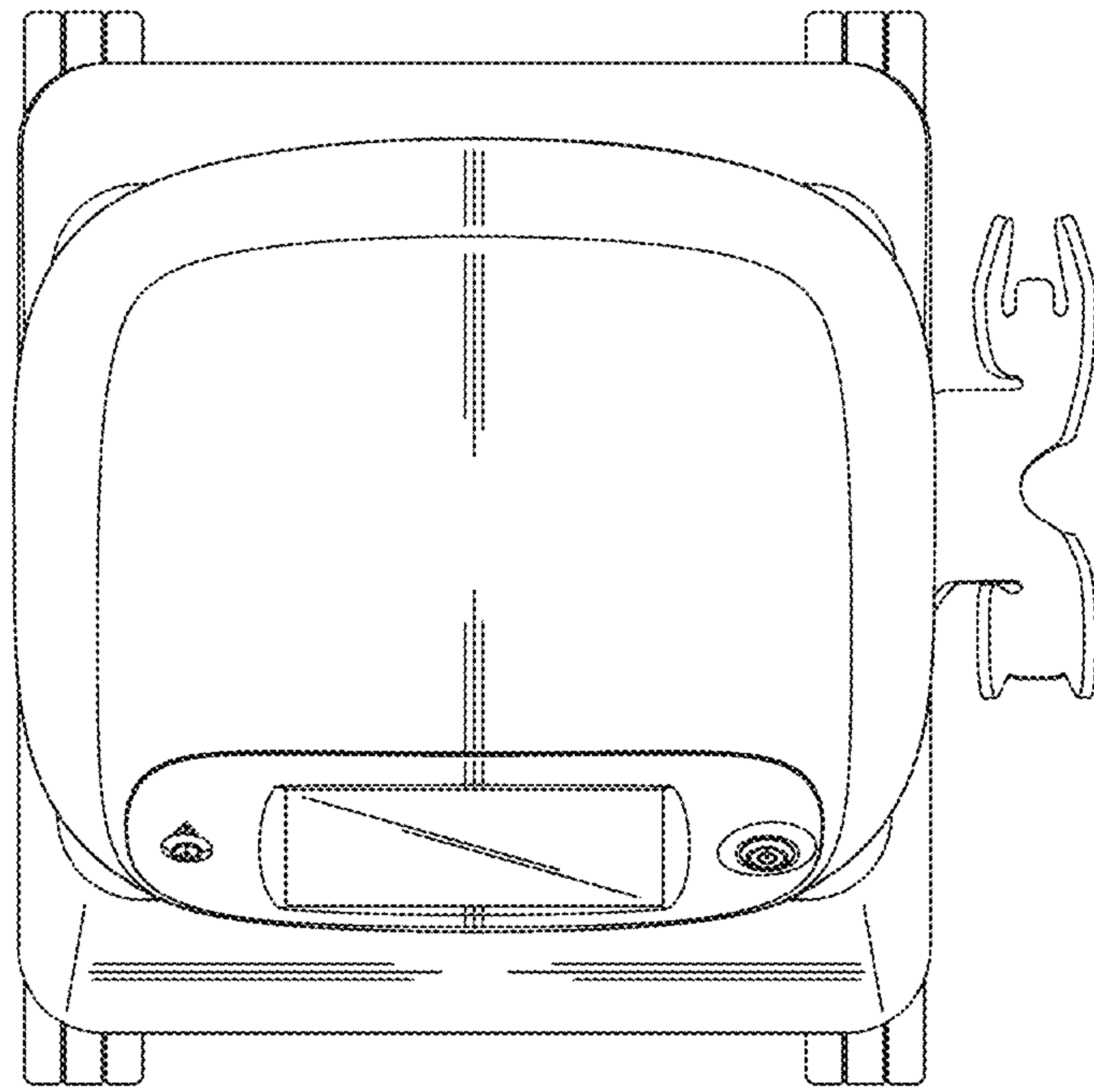
1.1



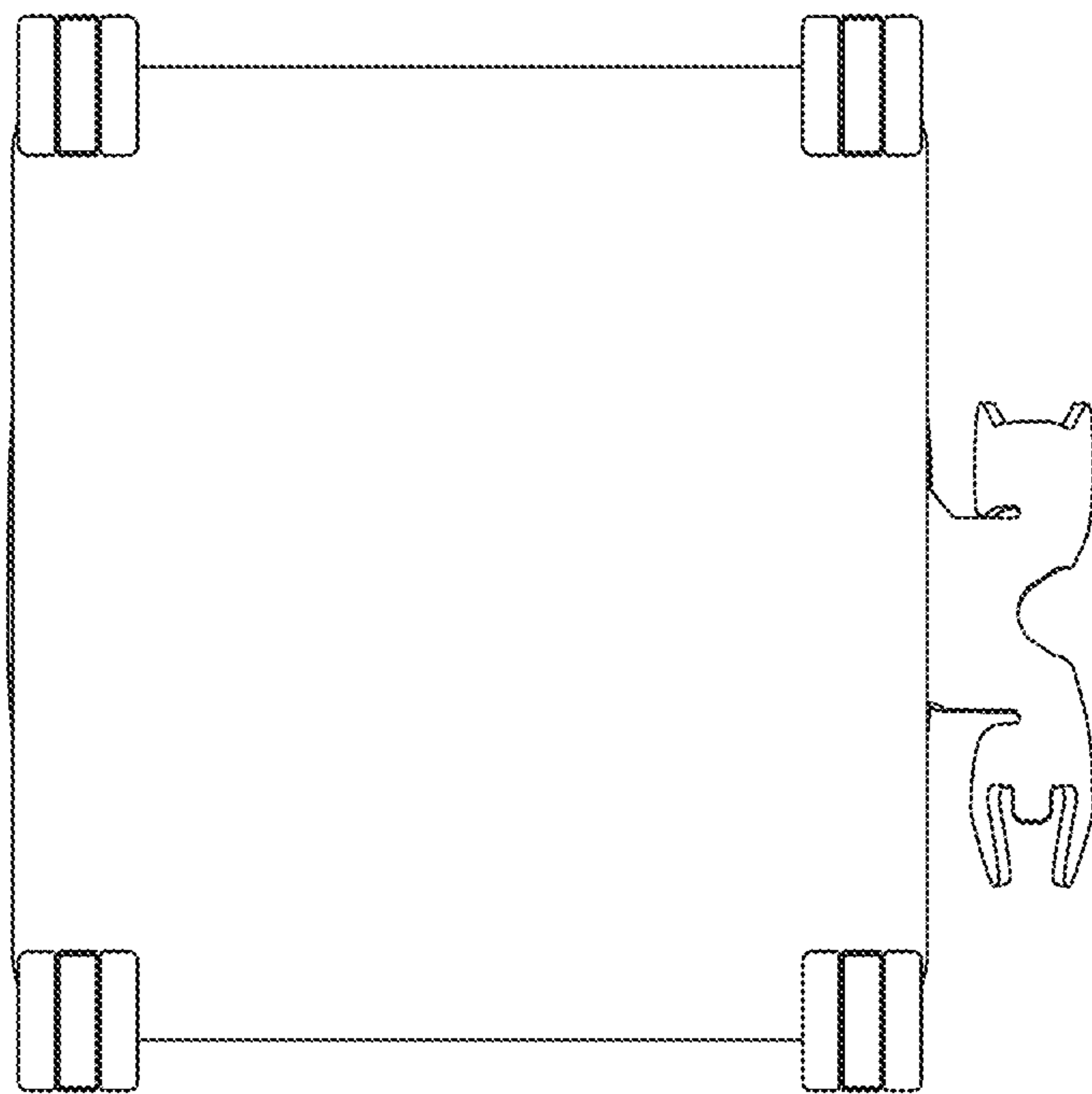
1.2



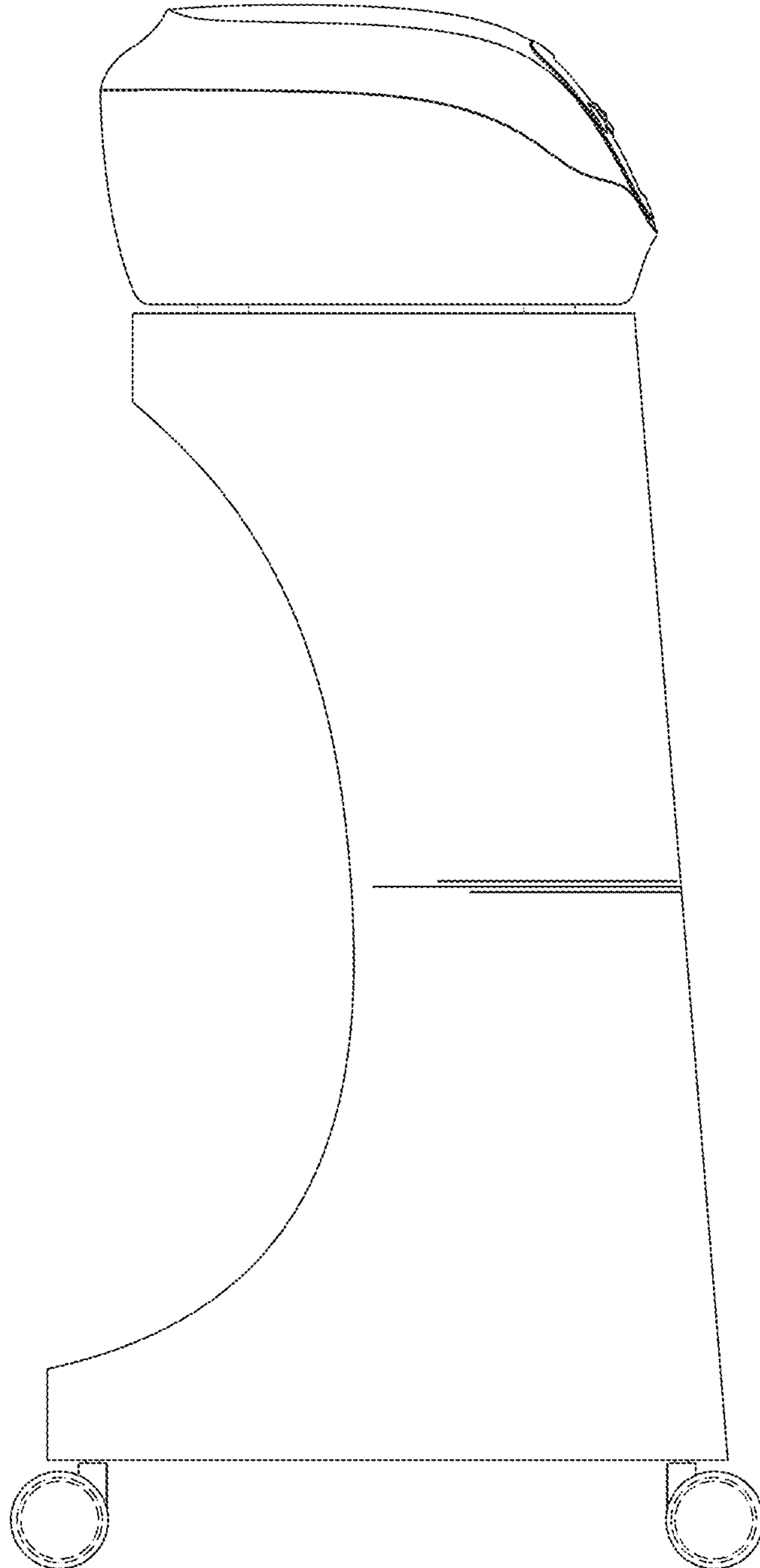
1.3



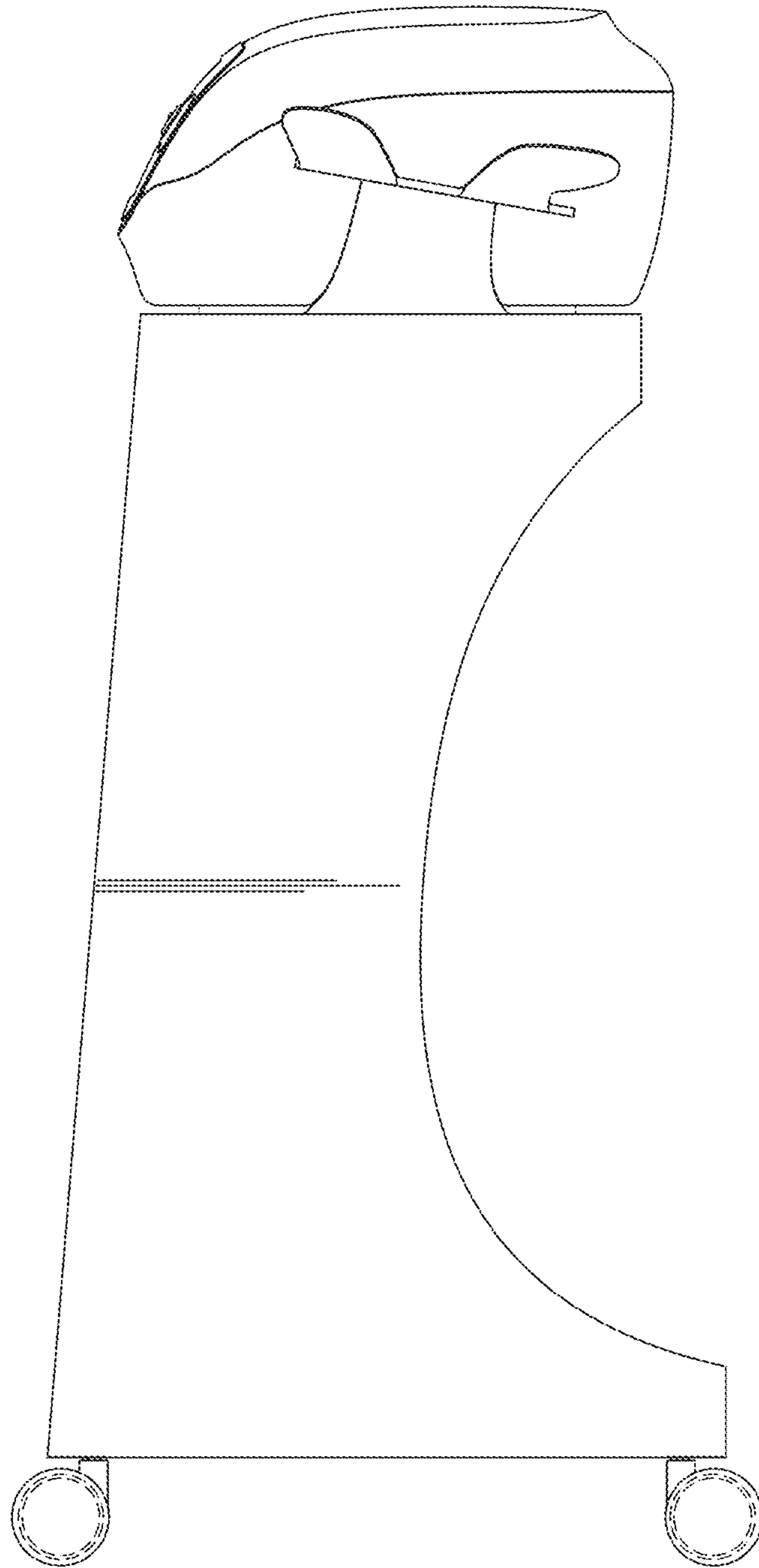
1.4



1.5



1.6



1.7