



US00D890348S

(12) **United States Design Patent**
Lam et al.

(10) **Patent No.:** **US D890,348 S**

(45) **Date of Patent:** **** Jul. 14, 2020**

(54) **ELECTROCARDIOGRAPHY DEVICE**

(56) **References Cited**

(71) Applicant: **Quanta Computer Inc.**, Taoyuan (TW)

U.S. PATENT DOCUMENTS

(72) Inventors: **Barry Lam**, Taoyuan (TW);
Chia-Yuan Chang, Taoyuan (TW);
Jung-Wen Chang, Taoyuan (TW);
Kao-Yu Hsu, Taoyuan (TW)

D377,983 S *	2/1997	Sabri	D24/167
D557,423 S *	12/2007	Chen	D24/187
D643,929 S *	8/2011	DelloStritto	D24/165
D659,836 S *	5/2012	Bensch	D24/167
D714,942 S *	10/2014	Hwang	D24/167
D717,955 S *	11/2014	Bishay	D24/167
D741,492 S *	10/2015	Formica	D24/164
D850,626 S *	6/2019	Gardner	D24/186
2017/0143221 A1 *	5/2017	Shinozaki	A61B 5/0006
2019/0015004 A1 *	1/2019	Maurizi	A61B 5/0006

(73) Assignee: **QUANTA COMPUTER INC.**,
Guishan Dist., Taoyuan (TW)

(**) Term: **15 Years**

* cited by examiner

(21) Appl. No.: **29/706,018**

Primary Examiner — Anhdao Doan

(22) Filed: **Sep. 17, 2019**

(74) *Attorney, Agent, or Firm* — McClure, Qualey &
Rodack, LLP

(30) **Foreign Application Priority Data**

(57) **CLAIM**

Jun. 10, 2019 (TW) 108303379

The ornamental design for an electrocardiography device, as shown and described.

(51) **LOC (12) Cl.** **24-01**

DESCRIPTION

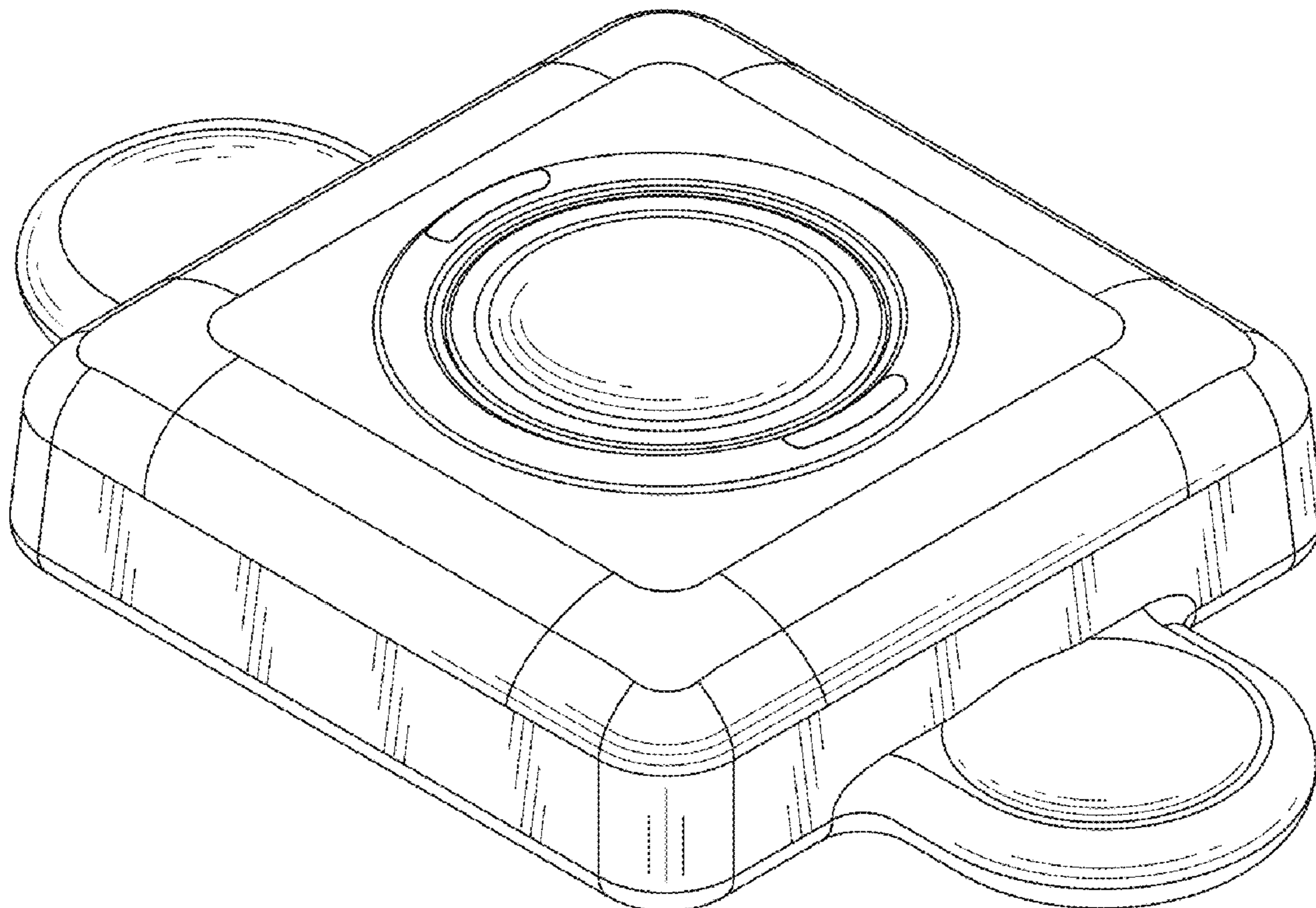
(52) **U.S. Cl.**
USPC **D24/167**

(58) **Field of Classification Search**
USPC D24/107, 164-167, 186, 187; D10/75;
D14/344
CPC . A61B 5/0402; A61B 5/0404; A61B 5/04085;
A61B 5/0416; A61B 5/0432; A61B
5/044; A61B 5/6805; A61B 5/6823; A61B
2560/0412; A61B 2560/0462

FIG. 1 is a top, front and right perspective view of an electrocardiography device, showing our new design;
FIG. 2 is a front view thereof;
FIG. 3 is a rear view thereof;
FIG. 4 is a left side view thereof;
FIG. 5 is a right side view thereof;
FIG. 6 is a top plan view thereof;
FIG. 7 is a bottom plan view thereof; and,
FIG. 8 is a bottom, front and right perspective view thereof.

See application file for complete search history.

1 Claim, 5 Drawing Sheets



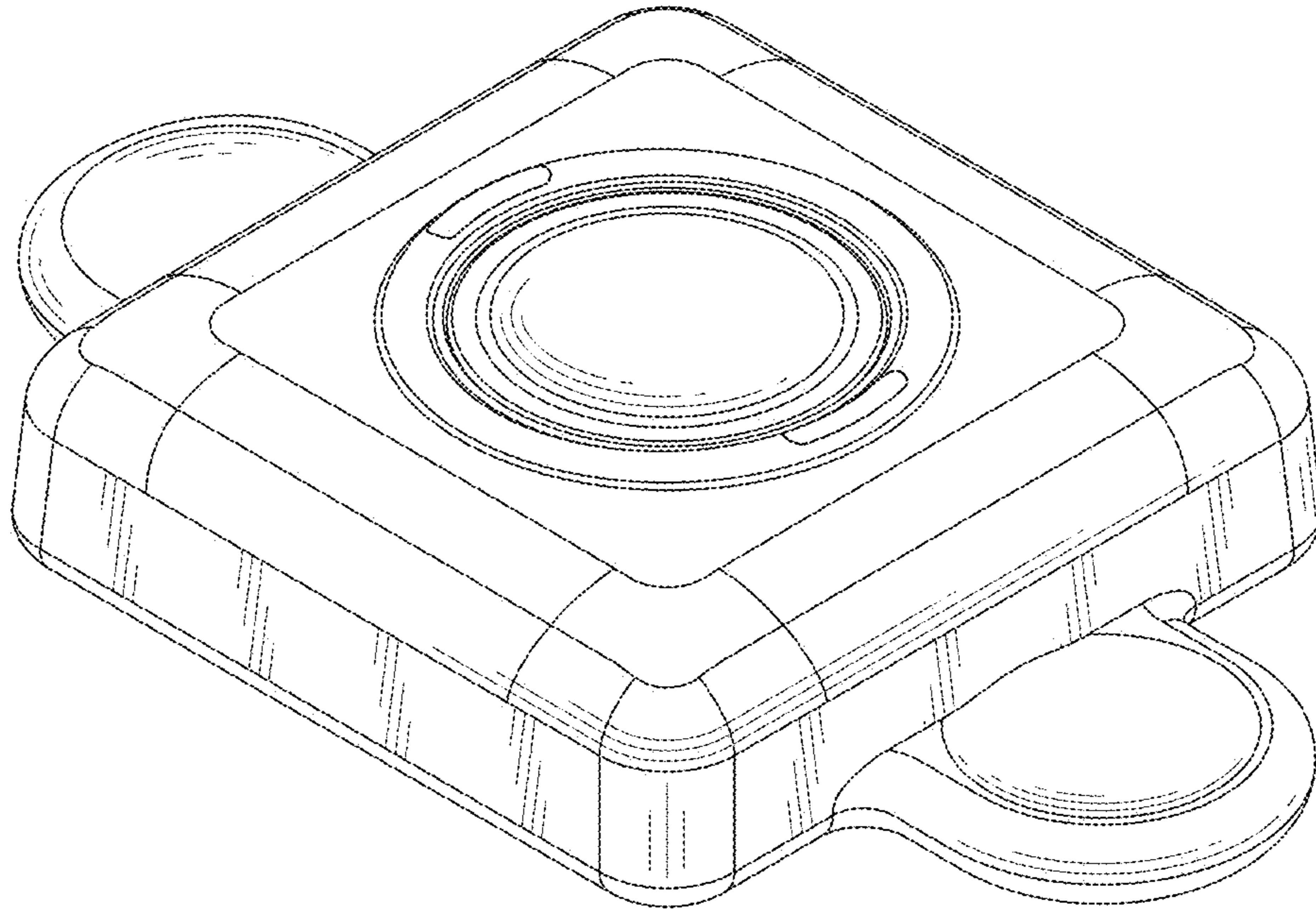


FIG. 1

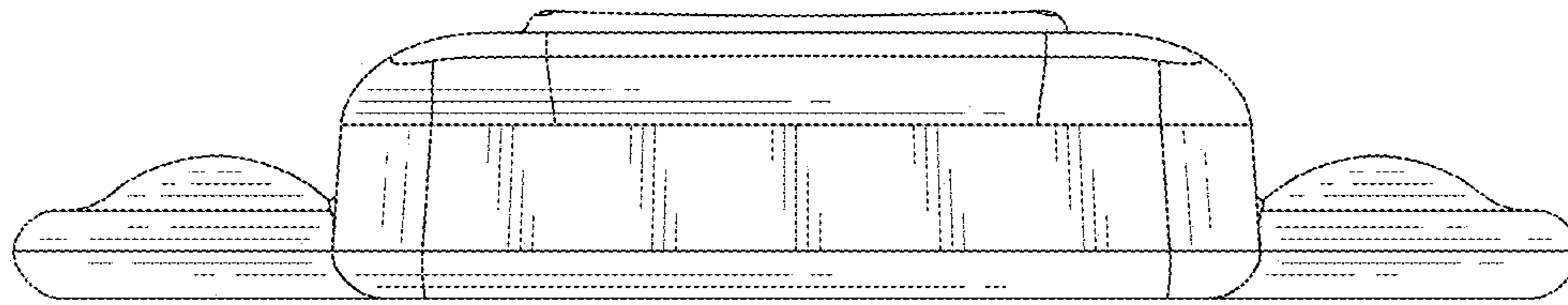


FIG. 2

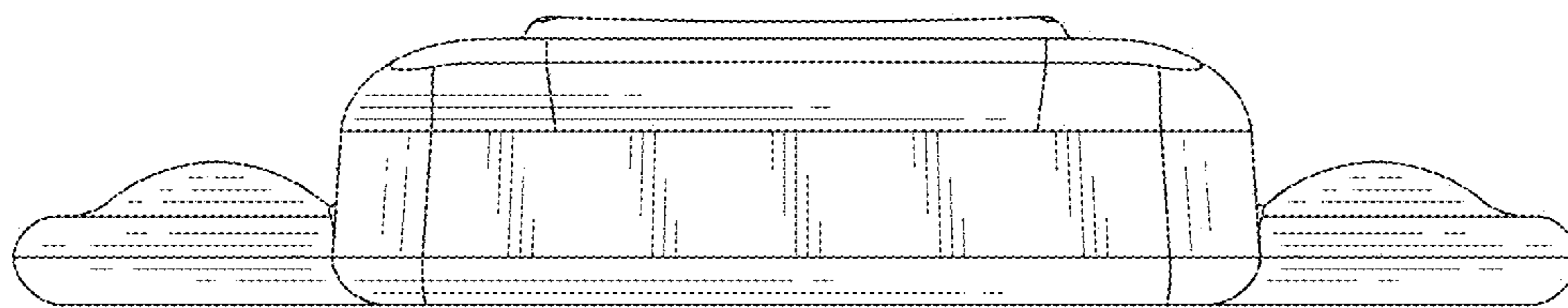


FIG. 3

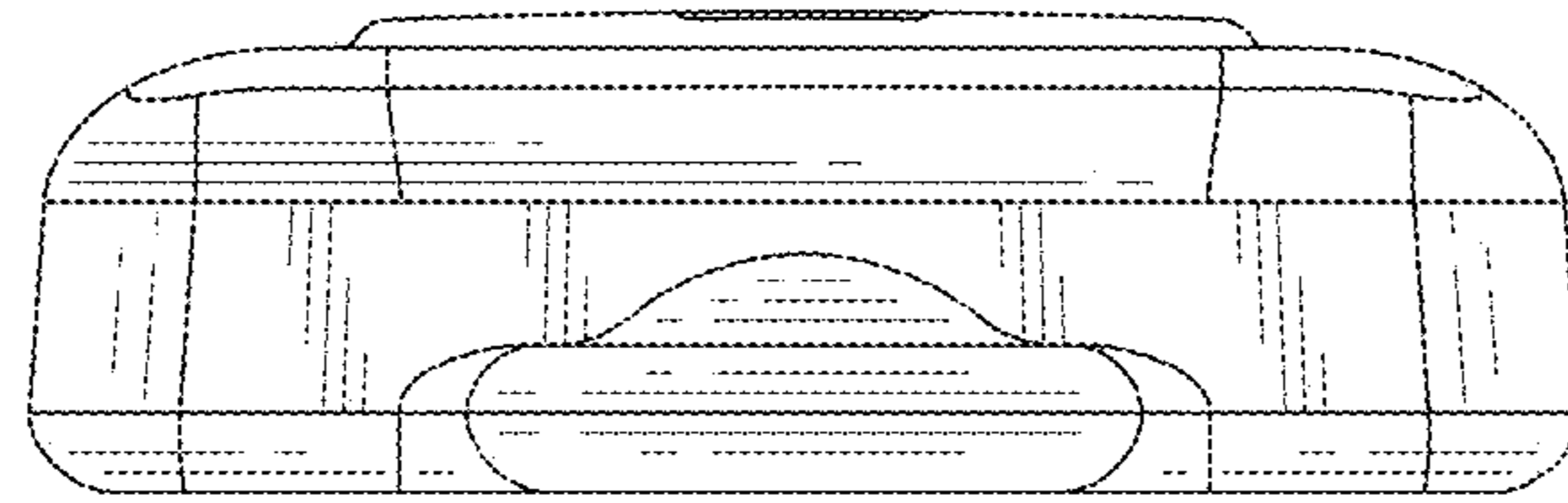


FIG. 4

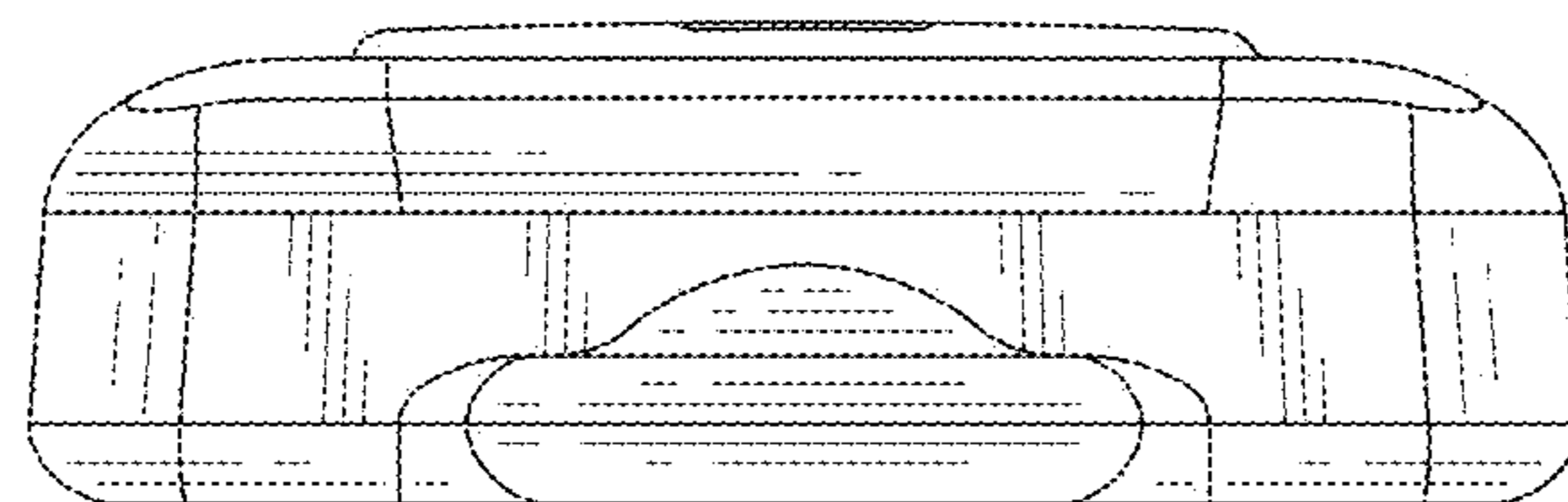


FIG. 5

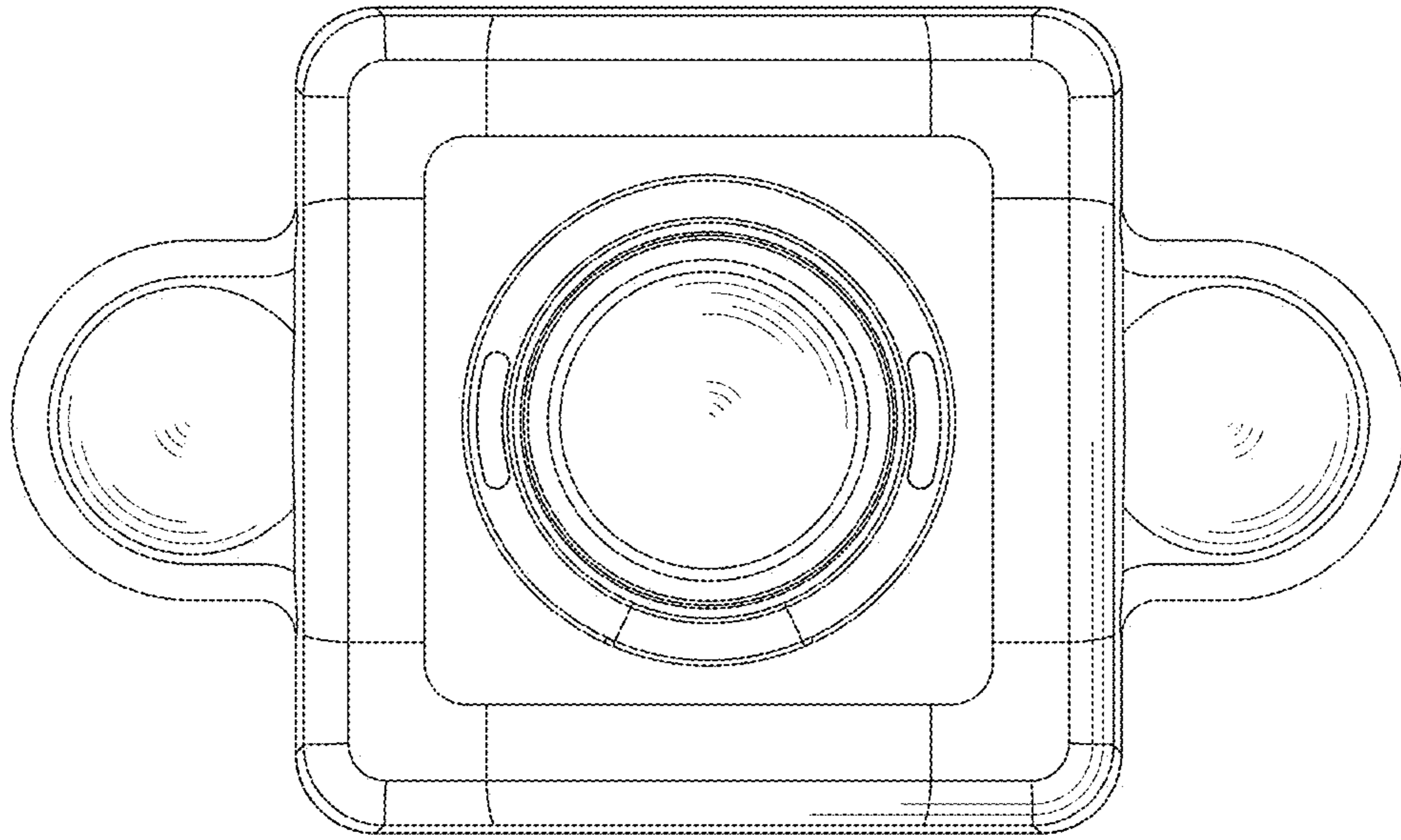


FIG. 6

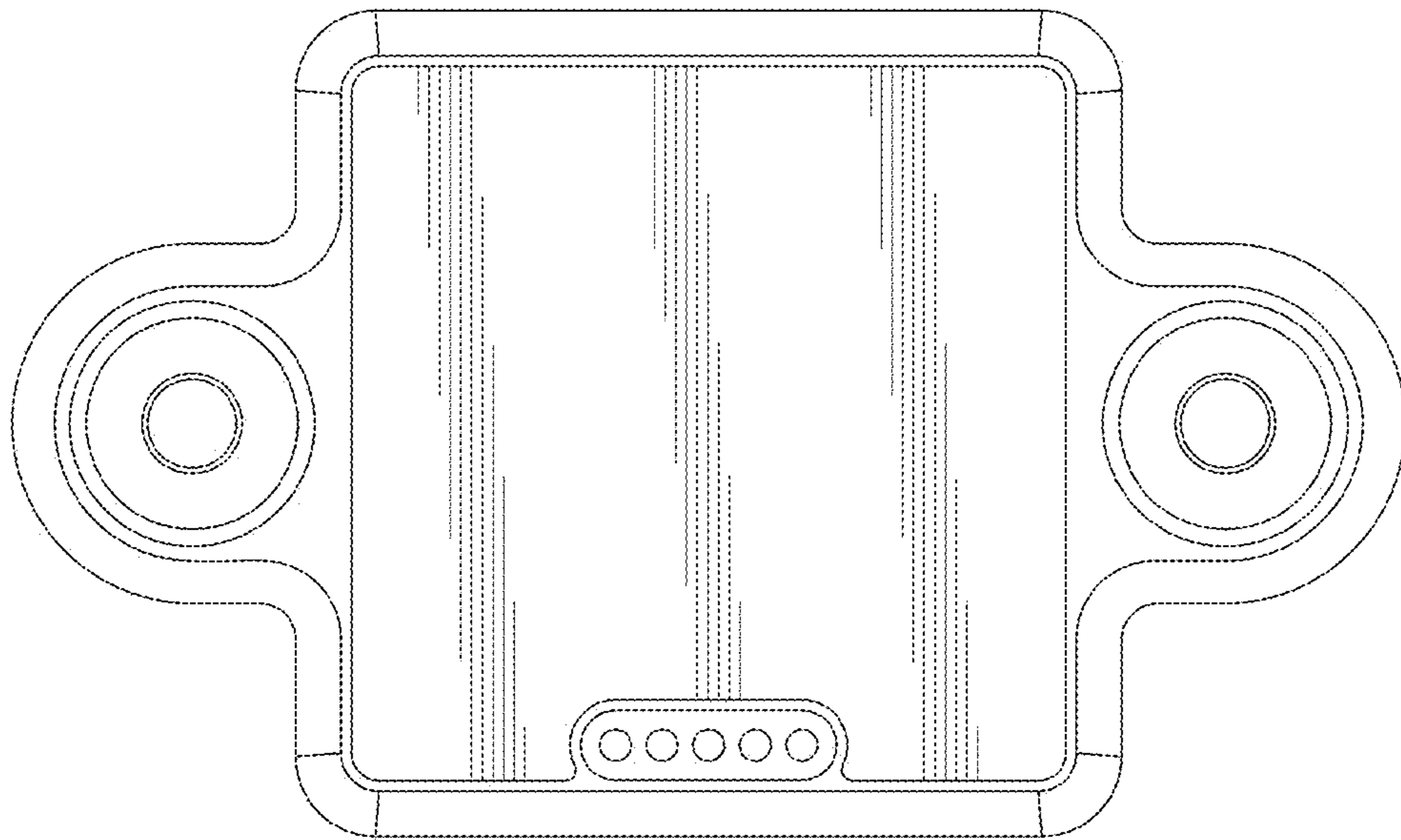


FIG. 7

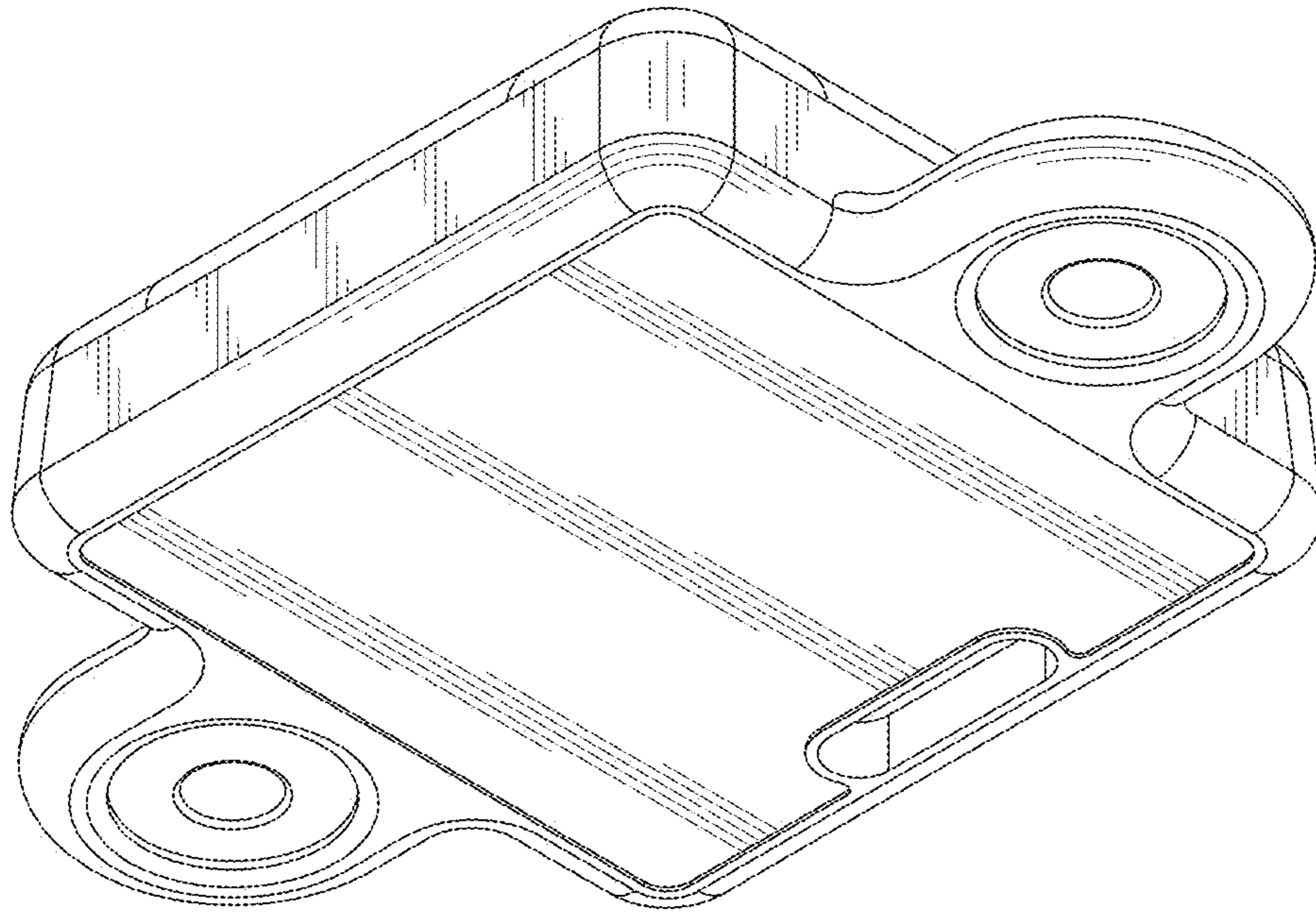


FIG. 8