



US00D890347S

(12) **United States Design Patent**
Chang et al.

(10) **Patent No.:** **US D890,347 S**
(45) **Date of Patent:** **** Jul. 14, 2020**

(54) **ELECTROCARDIOGRAPHY DEVICE**

(71) Applicant: **Quanta Computer Inc.**, Taoyuan (TW)

(72) Inventors: **Chia-Yuan Chang**, Taoyuan (TW);
Jung-Wen Chang, Taoyuan (TW);
Kao-Yu Hsu, Taoyuan (TW)

(73) Assignee: **QUANTA COMPUTER INC.**,
Guishan Dist., Taoyuan (TW)

(**) Term: **15 Years**

(21) Appl. No.: **29/675,442**

(22) Filed: **Jan. 2, 2019**

(30) **Foreign Application Priority Data**

Aug. 28, 2018 (TW) 107305074

(51) **LOC (12) Cl.** **24-01**

(52) **U.S. Cl.**
USPC **D24/167**

(58) **Field of Classification Search**
USPC D24/107, 164-167, 186, 187; D10/75;
D14/344
CPC . A61B 5/0402; A61B 5/0404; A61B 5/04085;
A61B 5/0416; A61B 5/0432; A61B
5/044; A61B 5/6805; A61B 5/6823; A61B
2560/0412; A61B 2560/0462
See application file for complete search history.

(56) **References Cited**

U.S. PATENT DOCUMENTS

D639,437 S * 6/2011 Bishay D24/167
9,183,738 B1 * 11/2015 Allen, Sr. A61B 5/6807

D821,595 S * 6/2018 Ito D24/200
D824,526 S * 7/2018 Ramjit D24/189
10,271,754 B2 * 4/2019 Bahney A61B 5/0408
D852,965 S * 7/2019 Bahney A61B 5/0408
D24/186
D863,561 S * 10/2019 McCalmont D24/187
D864,400 S * 10/2019 Benedikter D24/186
D874,659 S * 2/2020 Wetmore D24/187
2015/0080698 A1 * 3/2015 Chiang A61B 5/0478
600/390
2017/0258358 A1 * 9/2017 Bishay A61B 5/6823
2020/0069203 A1 * 3/2020 Chang A61B 5/0408

* cited by examiner

Primary Examiner — Anhdao Doan

(74) *Attorney, Agent, or Firm* — McClure, Qualey &
Rodack, LLP

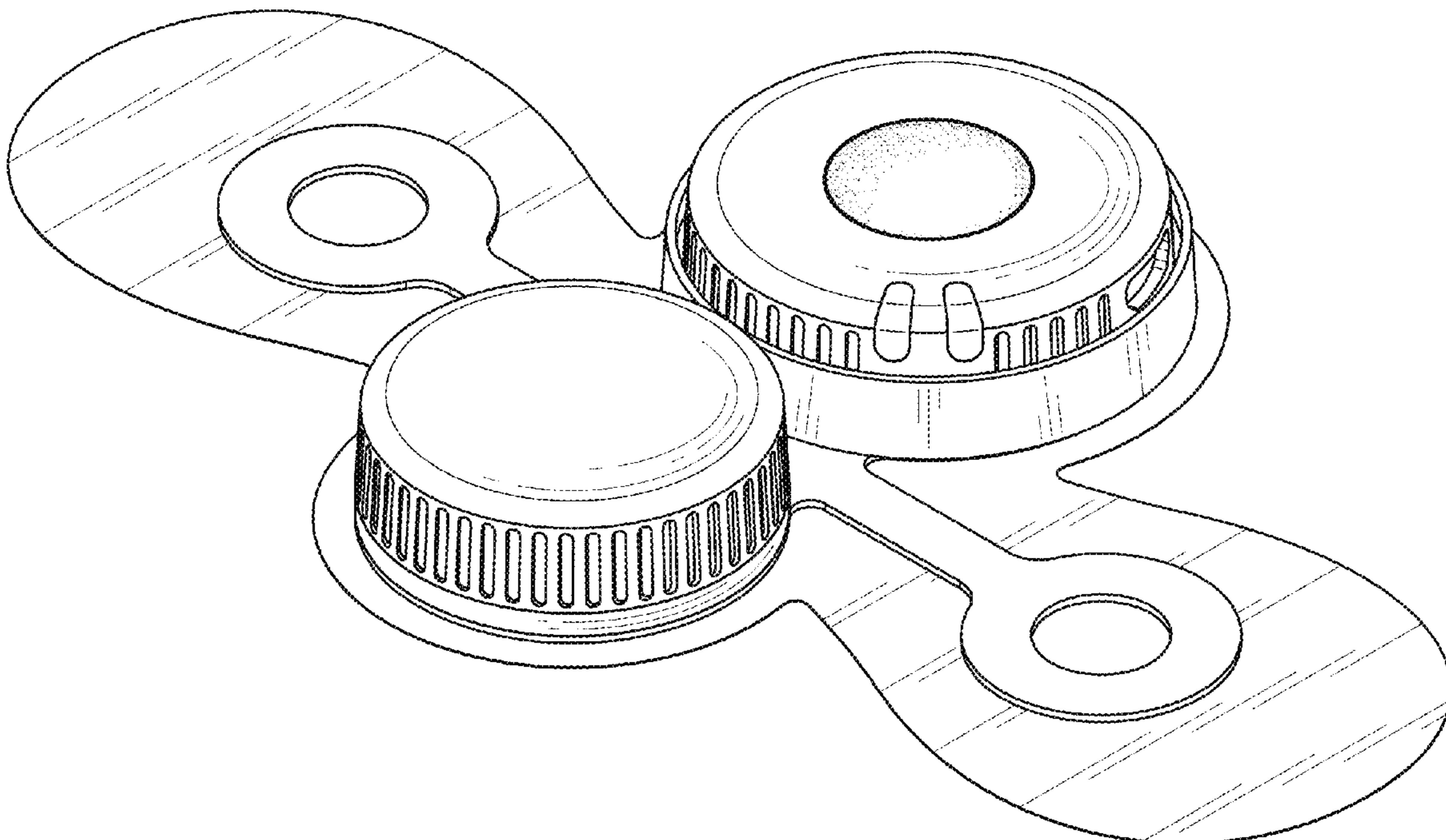
(57) **CLAIM**

The ornamental design for an electrocardiography device, as shown and described.

DESCRIPTION

FIG. 1 is a front, top and right perspective view of an electrocardiography device in accordance with our new design;
FIG. 2 is a front view thereof;
FIG. 3 is a rear view thereof;
FIG. 4 is a left side view thereof;
FIG. 5 is a right side view thereof;
FIG. 6 is a top plan view thereof;
FIG. 7 is a bottom plan view thereof; and,
FIG. 8 is a rear, bottom and left perspective view thereof.

1 Claim, 6 Drawing Sheets



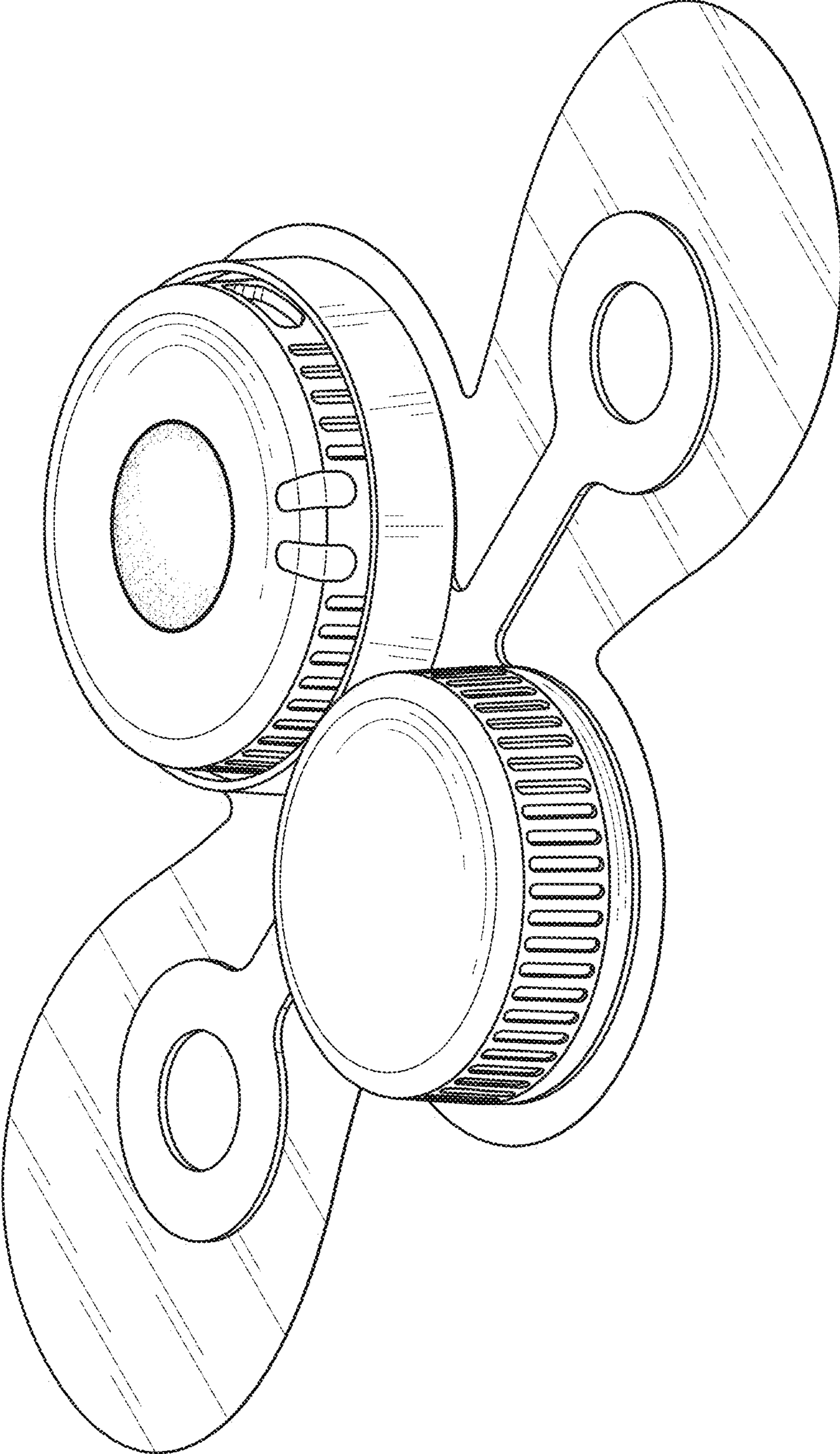


FIG. 1

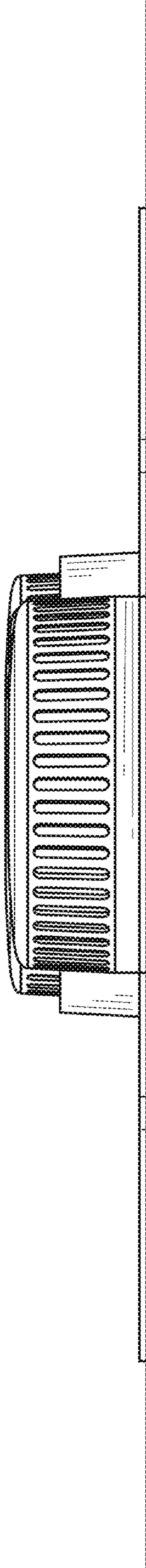


FIG. 2

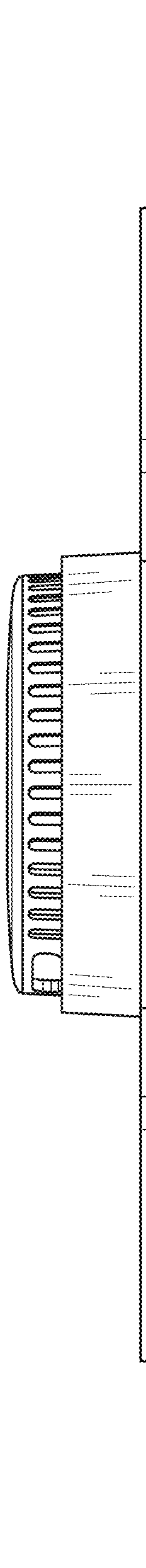


FIG. 3

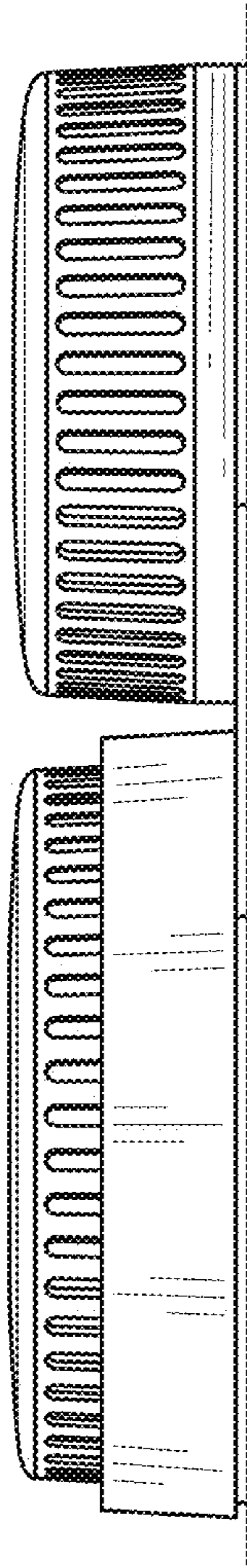


FIG. 4

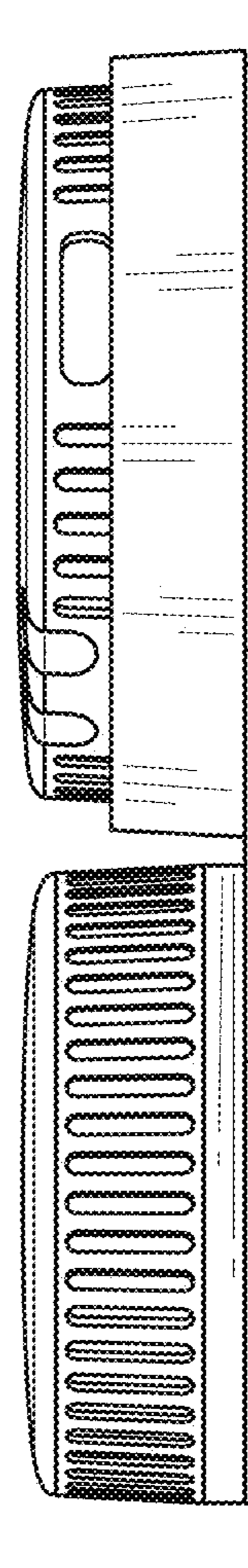


FIG. 5

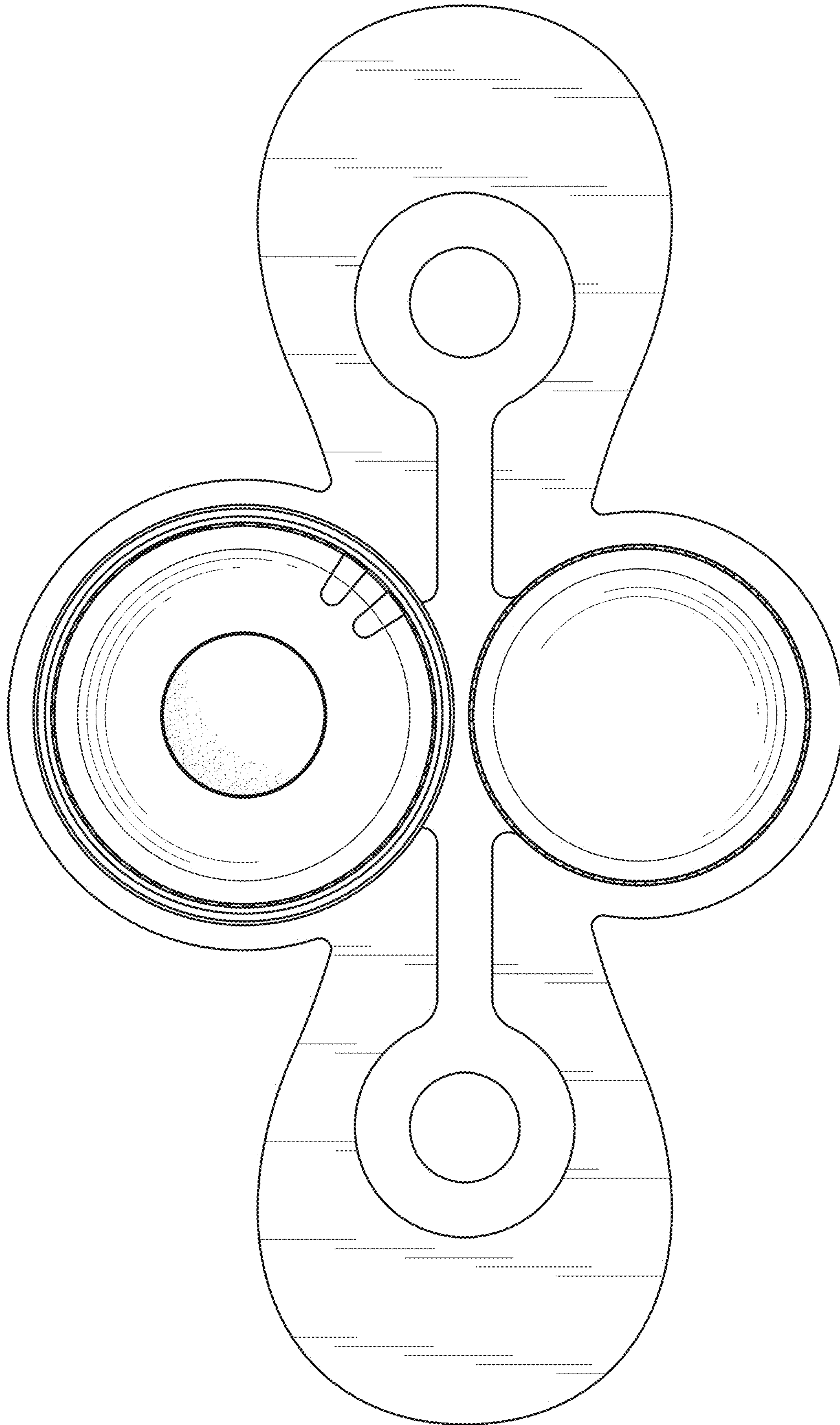


FIG. 6

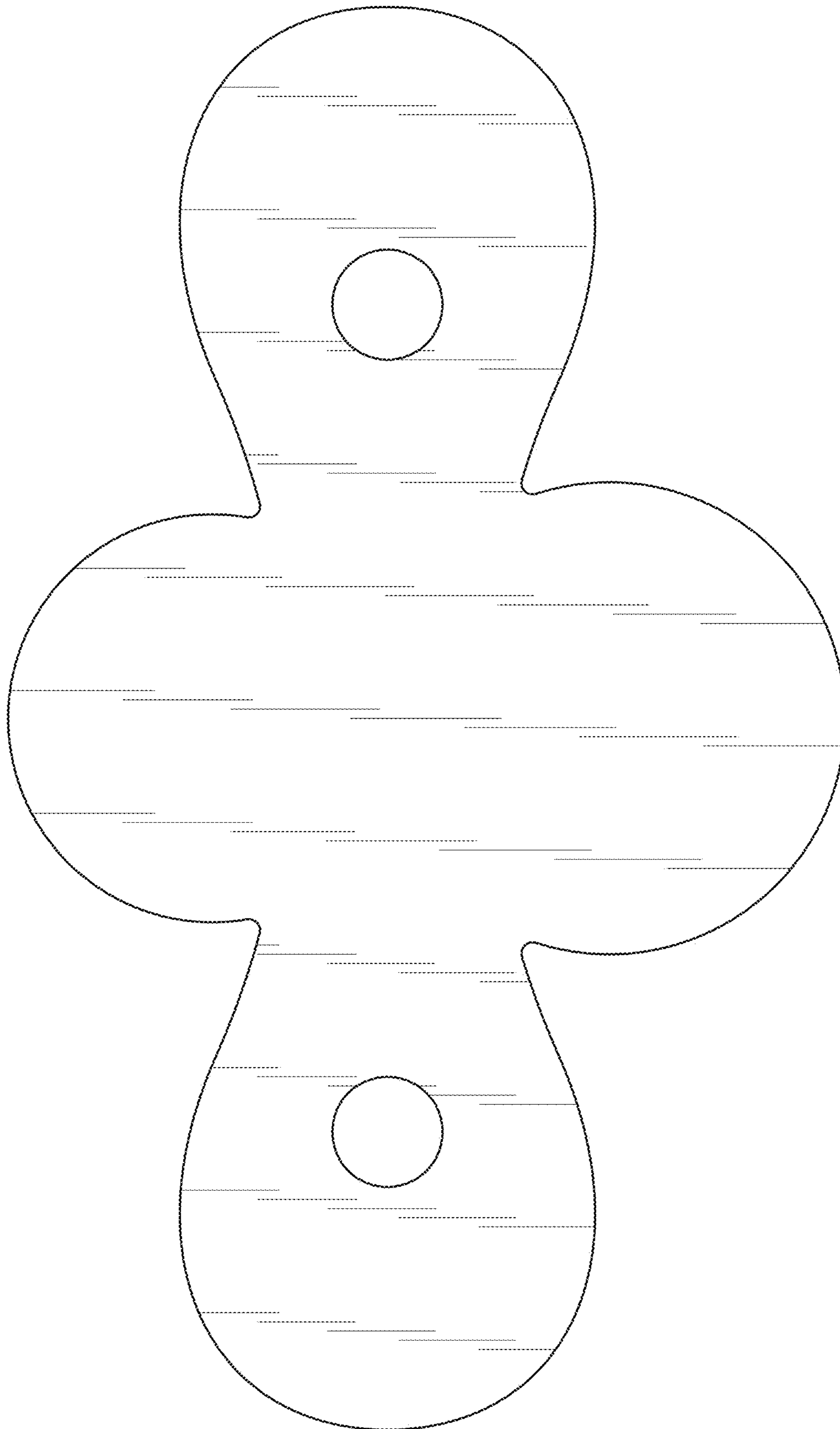


FIG. 7

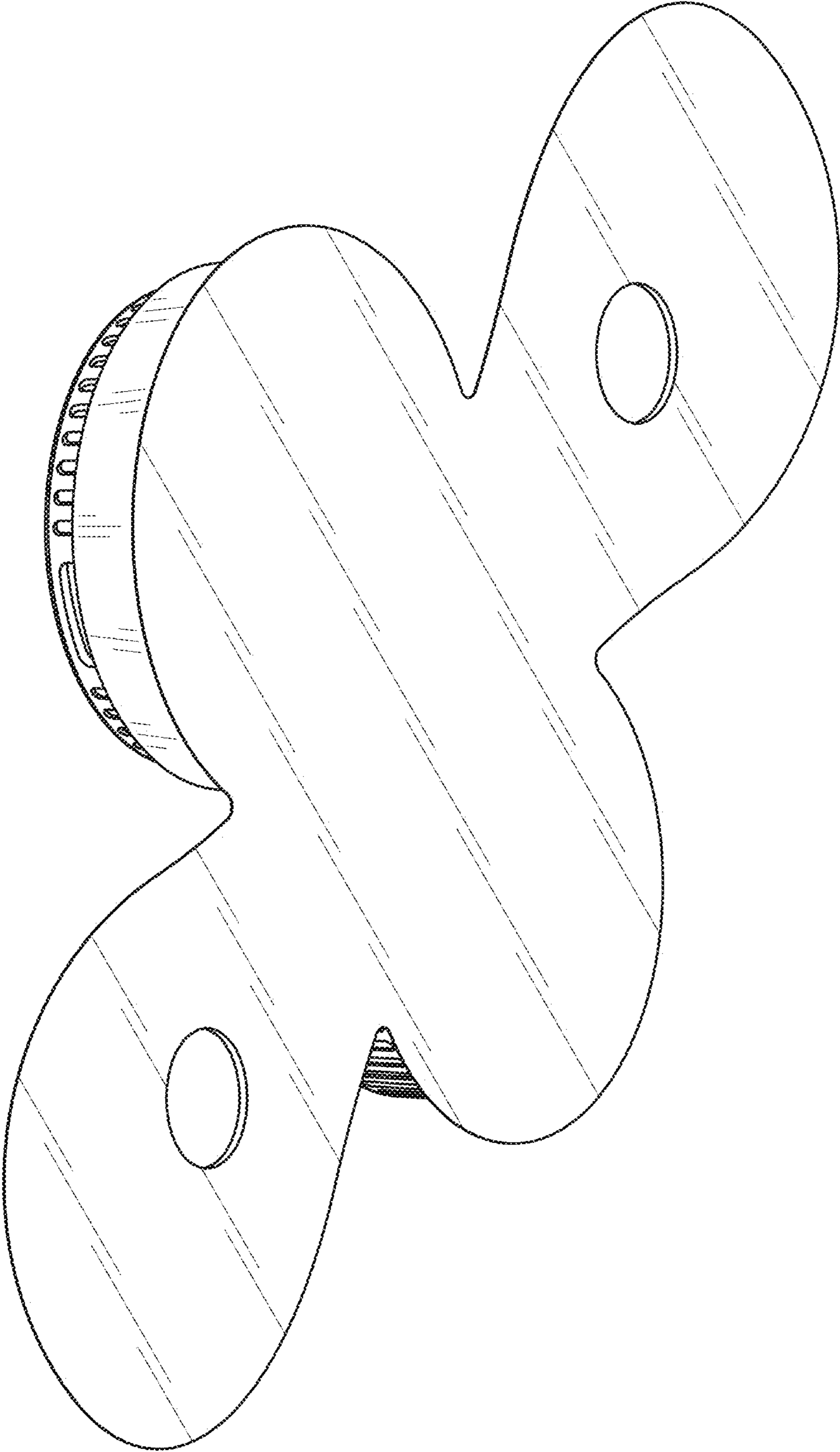


FIG. 8