



US00D890344S

(12) **United States Design Patent** (10) **Patent No.:** **US D890,344 S**
Wells et al. (45) **Date of Patent:** **** Jul. 14, 2020**

(54) **IMAGING SYSTEM**

- (71) Applicant: **Hologic, Inc.**, Marlborough, MA (US)
- (72) Inventors: **Timothy Wells**, Manchester, CT (US);
John Girgenti, New Milford, CT (US);
Russell Kroll, Atlanta, GA (US);
Alyssa Mellett, Kennesaw, GA (US)
- (73) Assignee: **Hologic, Inc.**, Marlborough, MA (US)
- (**) Term: **15 Years**
- (21) Appl. No.: **29/663,080**
- (22) Filed: **Sep. 12, 2018**

Related U.S. Application Data

- (62) Division of application No. 29/585,528, filed on Nov. 25, 2016, now Pat. No. Des. 831,216.
- (51) **LOC (12) Cl.** **24-01**
- (52) **U.S. Cl.**
USPC **D24/158**
- (58) **Field of Classification Search**
USPC D24/158-161, 185, 186, 107
CPC A61B 6/035; A61B 6/4405; A61B 6/4411;
A61B 6/4429; A61B 6/4435; A61B
6/4441; A61B 6/4447; A61B 6/484; A61B
6/502

See application file for complete search history.

(56) **References Cited**

U.S. PATENT DOCUMENTS

- 6,102,567 A * 8/2000 Cabral A61B 6/4233
378/146
- D659,833 S * 5/2012 Ogura D24/158
- 8,217,357 B2 * 7/2012 Stein A61B 6/025
250/366
- D728,106 S * 4/2015 Laukkanen D24/158
- D728,794 S * 5/2015 Kim D24/158
- D767,140 S * 9/2016 Yao D24/158
- D831,216 S * 10/2018 Wells D24/158
- 2009/0003519 A1 * 1/2009 Defreitas A61B 6/107
378/37
- 2012/0114095 A1 * 5/2012 Smith A61B 6/025
378/20
- 2015/0025377 A1 * 1/2015 Nishi A61B 6/025
600/436
- 2018/0344271 A1 * 12/2018 Guse, III A61B 6/4405

* cited by examiner

Primary Examiner — Anhdao Doan

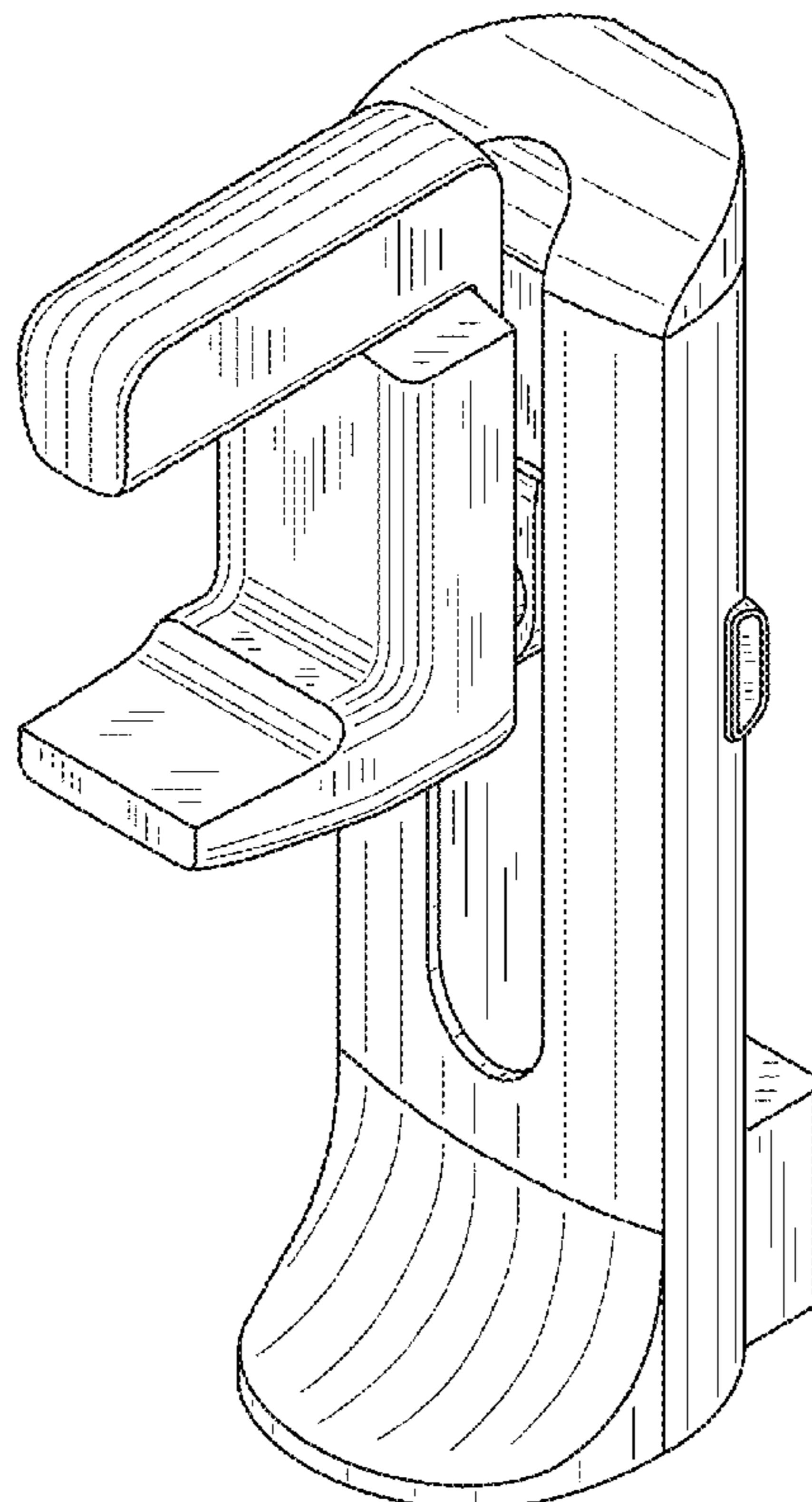
(57) **CLAIM**

The ornamental design for an imaging system, as shown.

DESCRIPTION

FIG. 1 is a perspective view of an imaging system;
 FIG. 2 is a front view thereof;
 FIG. 3 is a back view thereof;
 FIG. 4 is a right side view thereof;
 FIG. 5 is a left side view thereof;
 FIG. 6 is a top view thereof; and,
 FIG. 7 is a bottom view thereof.

1 Claim, 6 Drawing Sheets



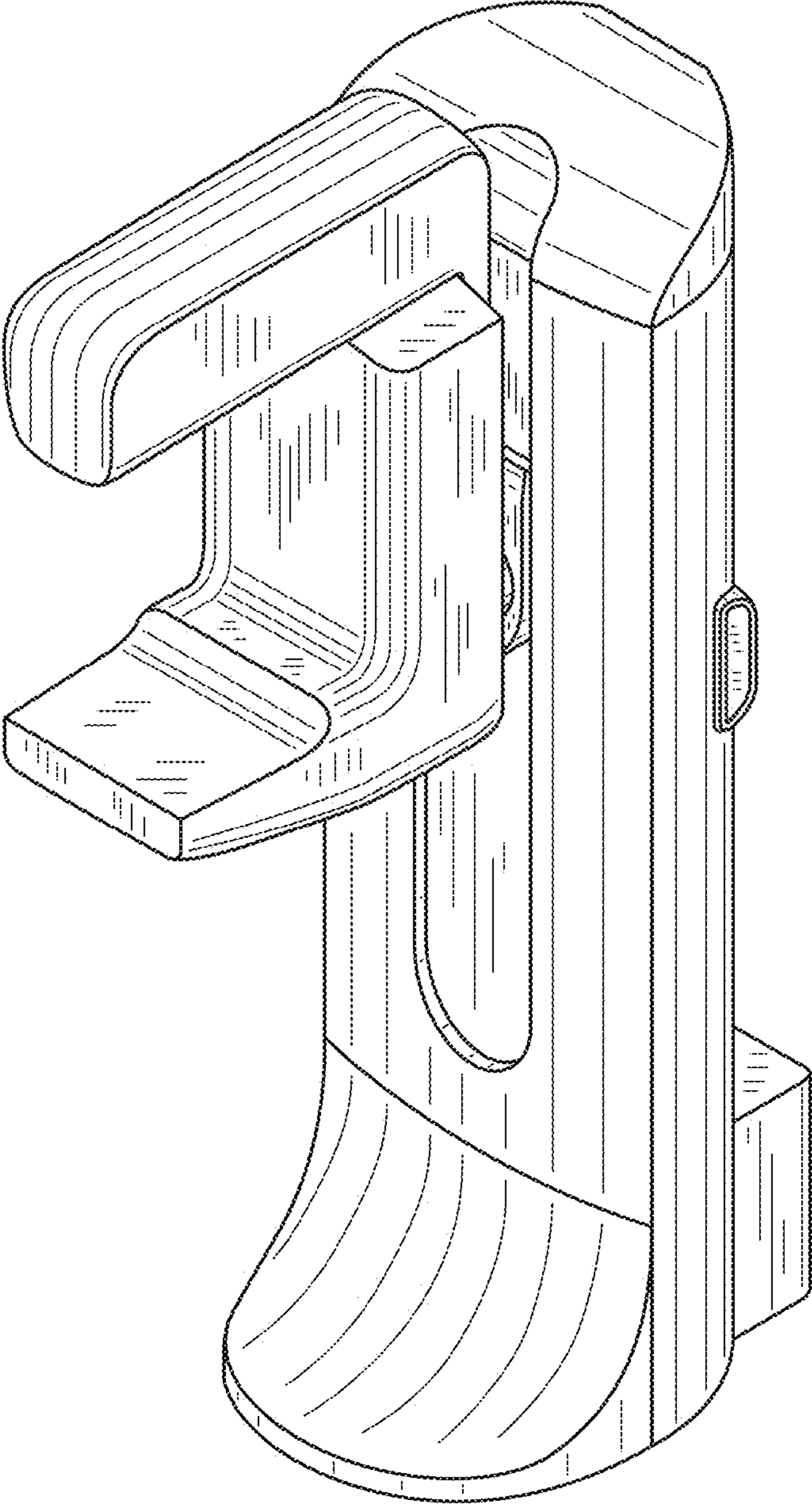


FIG.1

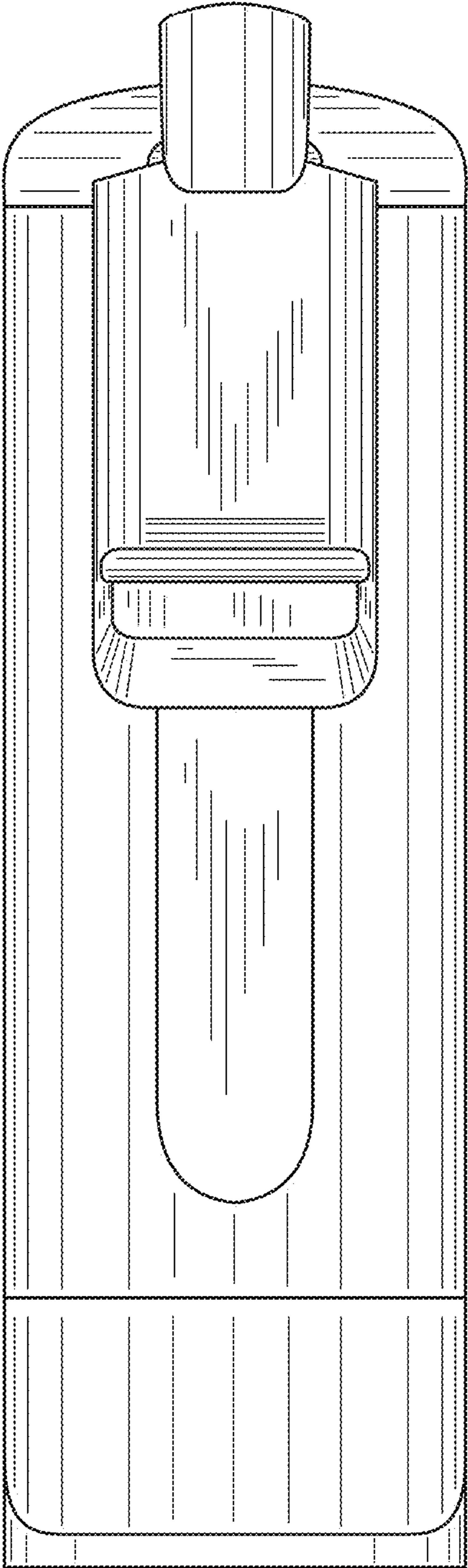


FIG.2

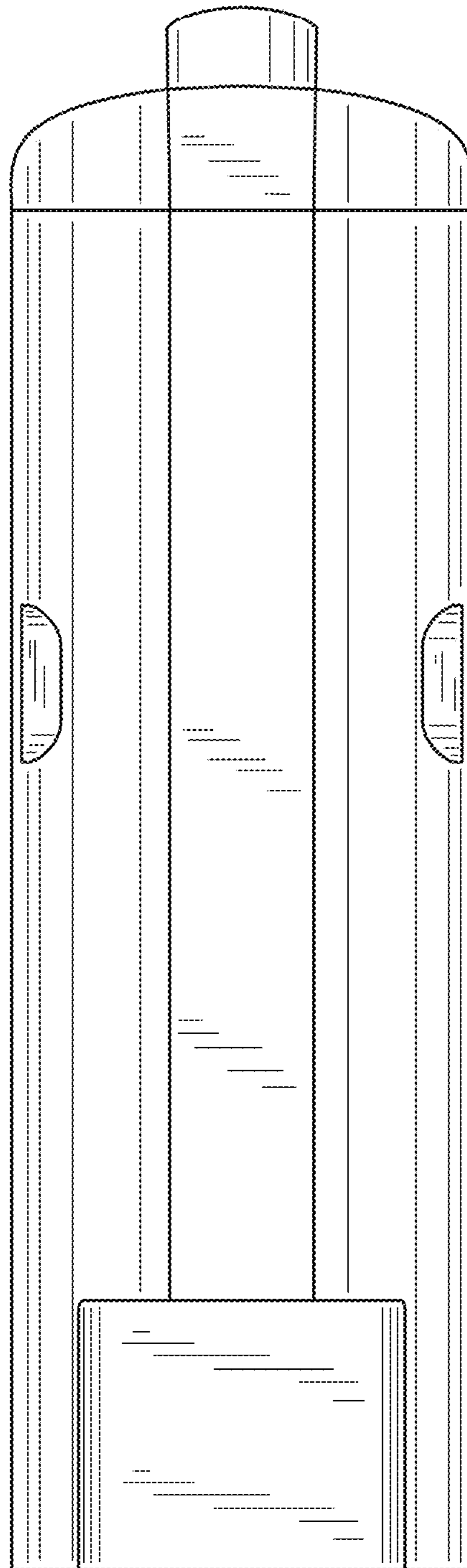


FIG. 3

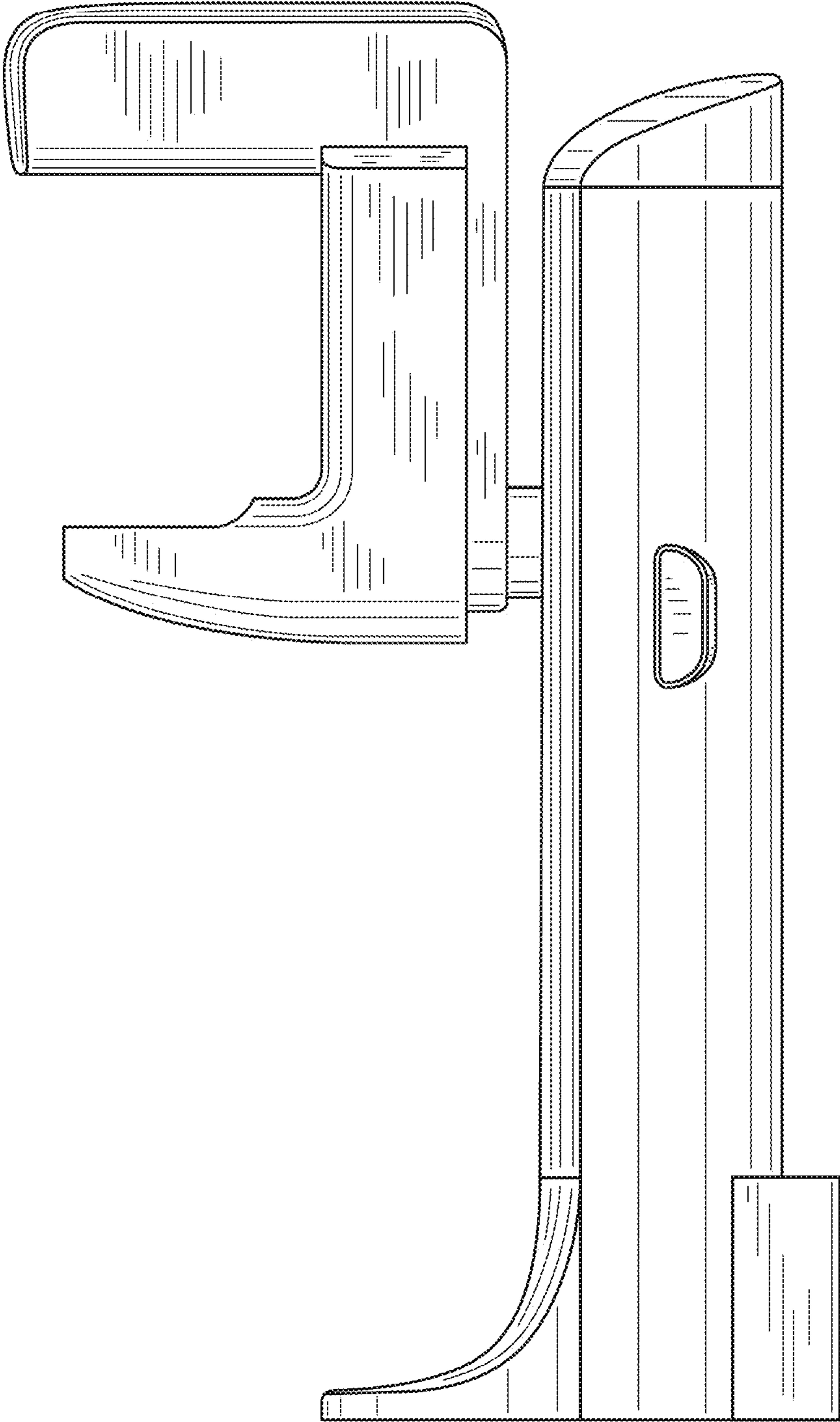


FIG. 4

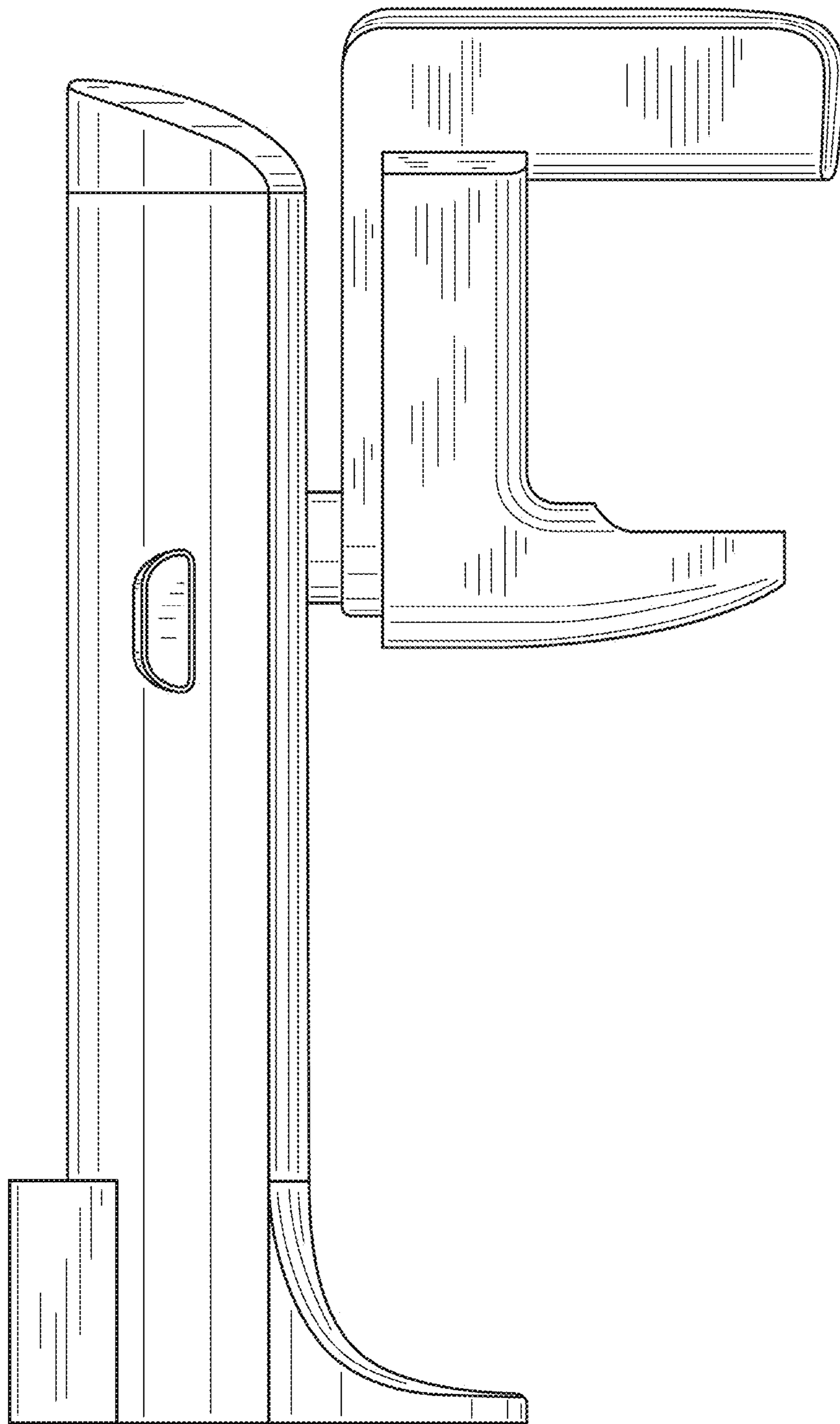


FIG. 5

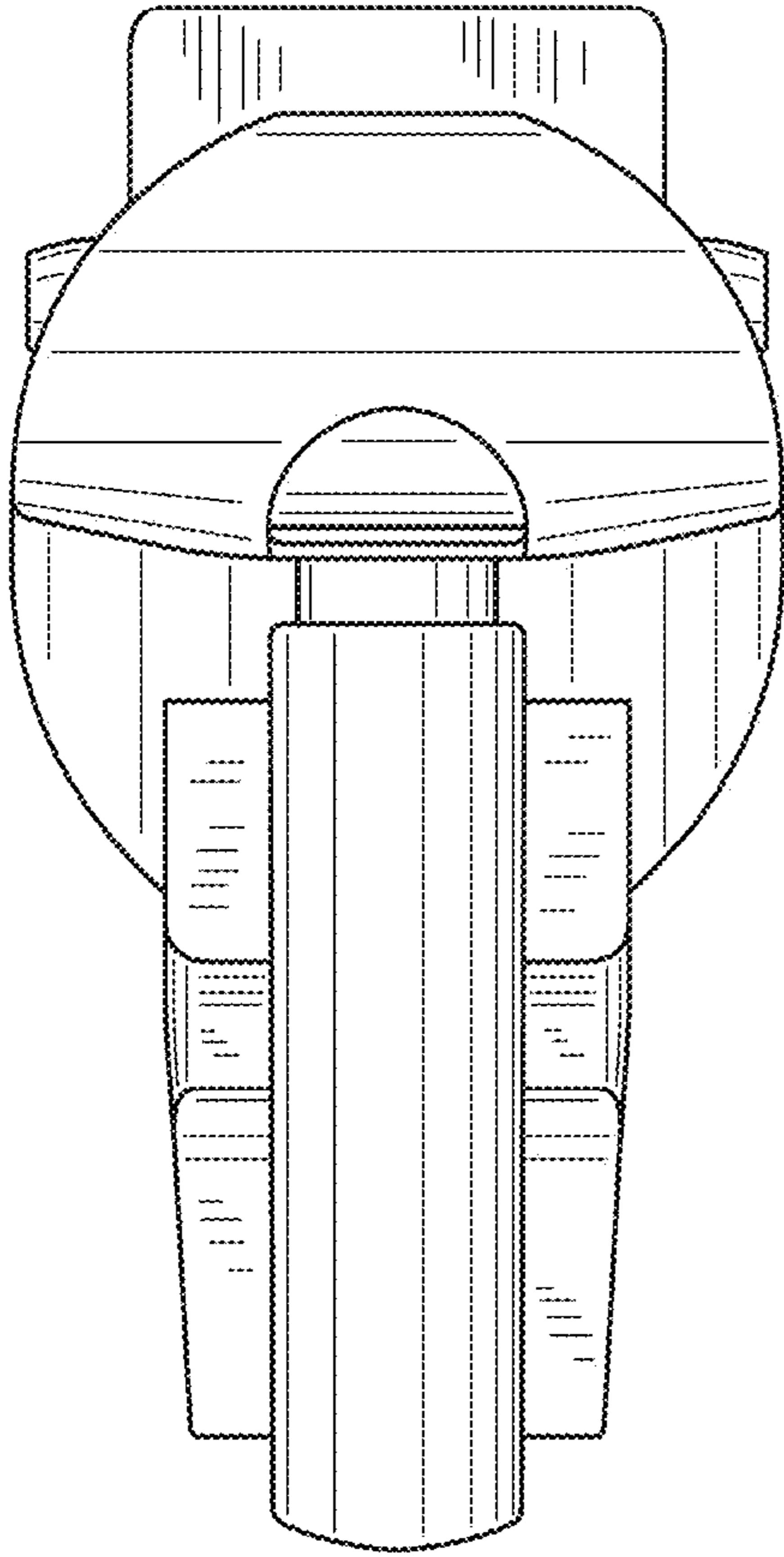


FIG. 6

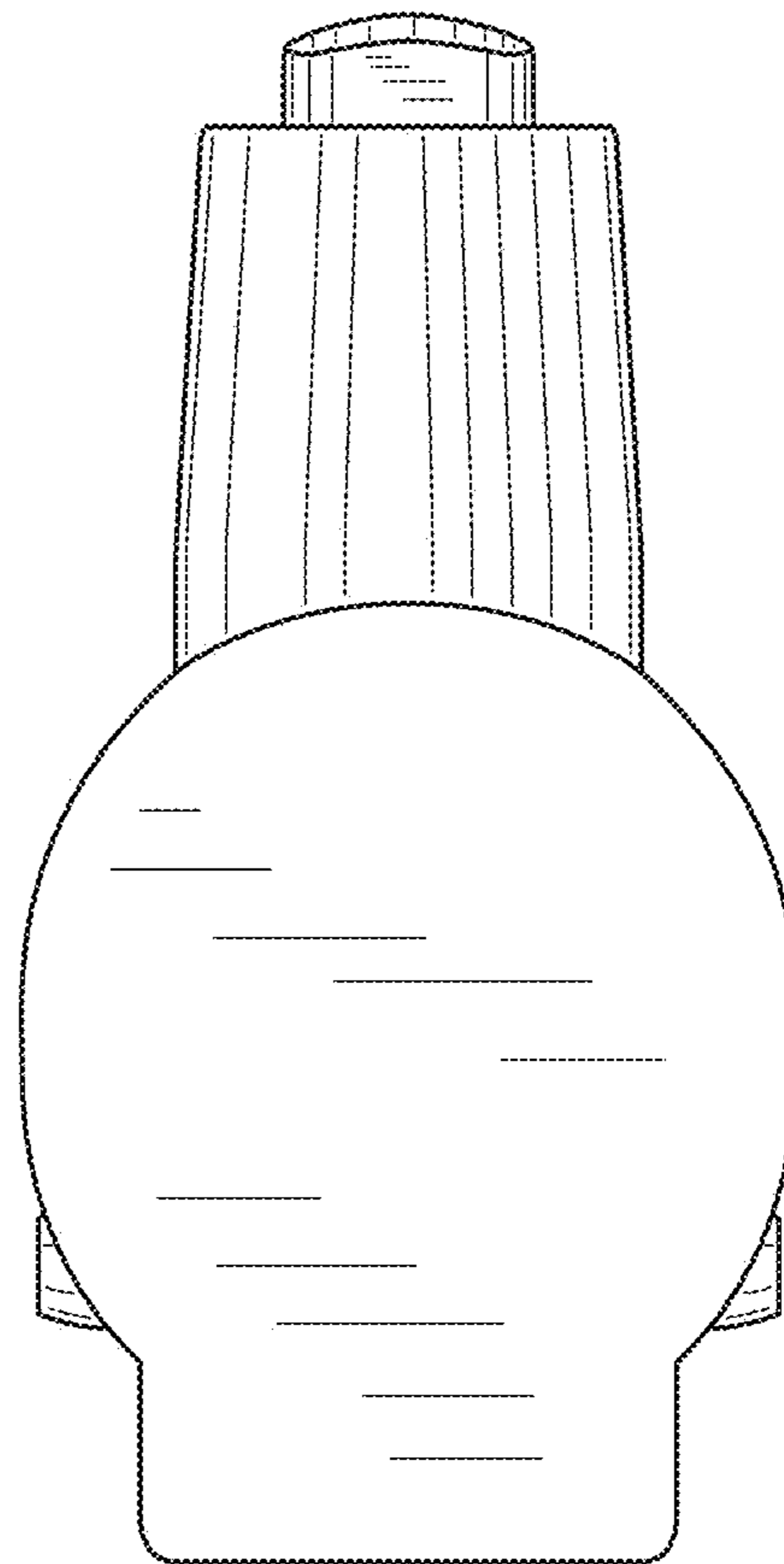


FIG. 7