

US00D890342S

(12) **United States Design Patent** (10) **Patent No.:** **US D890,342 S**
Mazzeo (45) **Date of Patent:** **** Jul. 14, 2020**

(54) **DENTAL INSTRUMENT**

(71) Applicant: **Tina Storz-Mazzeo**,
Emmingen-Liptingen (DE)

(72) Inventor: **Martin Mazzeo**, Emmingen-Liptingen
(DE)

(73) Assignee: **Tina Storz-Mazzeo**,
Emmingen-Liptingen (DE)

(**) Term: **15 Years**

(21) Appl. No.: **29/672,473**

(22) Filed: **Dec. 5, 2018**

(30) **Foreign Application Priority Data**

Jun. 5, 2018 (EM) 005297892-0024

(51) **LOC (12) Cl.** **24-02**

(52) **U.S. Cl.**
USPC **D24/153; D24/143**

(58) **Field of Classification Search**
USPC D24/119, 133, 143, 147, 152, 153, 154,
D24/156; D28/55, 56, 57, 65; D8/14,
D8/105, 107, 300, 303; 433/118, 119,
433/143, 146, 159

CPC A61C 17/00; A61C 17/20; A61C 17/0202;
A61C 17/225; A61C 3/00; A61C 3/02;
A61C 3/10; A61C 3/14; A61C 3/16;
A61C 15/00; A61C 15/02; A61C 15/048;
A61C 1/10; A61C 1/14; A61C 7/00;
A61C 7/02; A61C 7/04; A61B 1/24
See application file for complete search history.

(56) **References Cited**

U.S. PATENT DOCUMENTS

D341,886 S * 11/1993 Stolte D24/143
D355,455 S * 2/1995 Stolte D24/143

D436,174 S * 1/2001 Komamura D24/152
6,210,161 B1 * 4/2001 Montgomery A61C 3/14
433/146
7,128,575 B1 * 10/2006 Sohn A61C 3/14
433/159
D689,609 S * 9/2013 Bender D24/133
D707,817 S * 6/2014 Schallert D24/143
9,655,689 B2 * 5/2017 Golden A61C 3/14
D795,429 S * 8/2017 Wright D24/152
D796,673 S * 9/2017 Secord D24/143
D813,388 S * 3/2018 Anderson D24/143
D867,664 S * 11/2019 Lotti D28/55
D871,673 S * 12/2019 Qureshi D28/55
2013/0224682 A1 * 8/2013 Mueller A61C 3/10
433/162

* cited by examiner

Primary Examiner — Wan Laymon

Assistant Examiner — Clint A Samuel

(74) *Attorney, Agent, or Firm* — Christensen, Fonder,
Dardi & Herbert PLLC

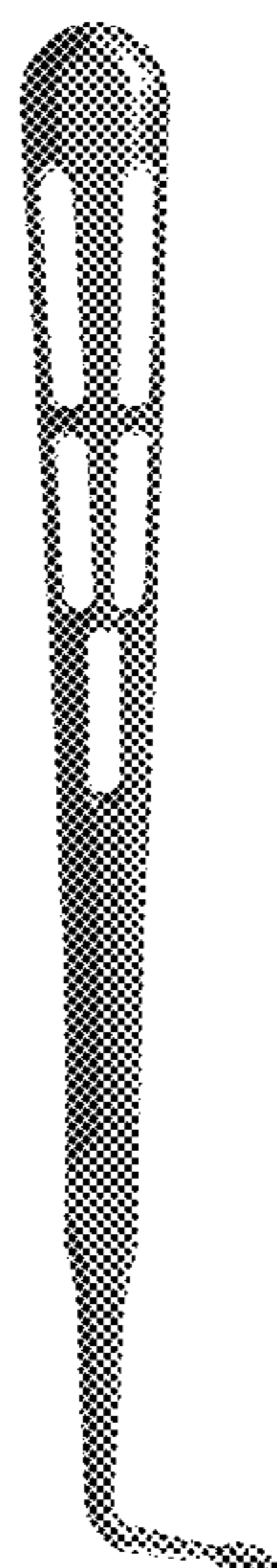
(57) **CLAIM**

I claim the ornamental design for a dental instrument, as shown and described.

DESCRIPTION

FIG. 1 is a side elevational view of the dental instrument, showing my new design;
FIG. 2 is a front side elevational view thereof;
FIG. 3 is a back side elevational view thereof;
FIG. 4 is a perspective view thereof;
FIG. 5 is a perspective view thereof;
FIG. 6 is a side elevation view thereof; and,
FIG. 7 is a perspective view thereof.

1 Claim, 7 Drawing Sheets



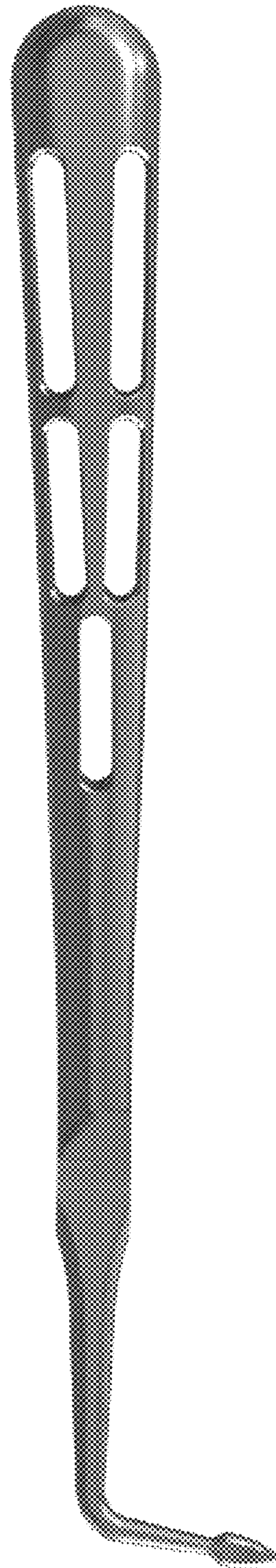


FIG. 1

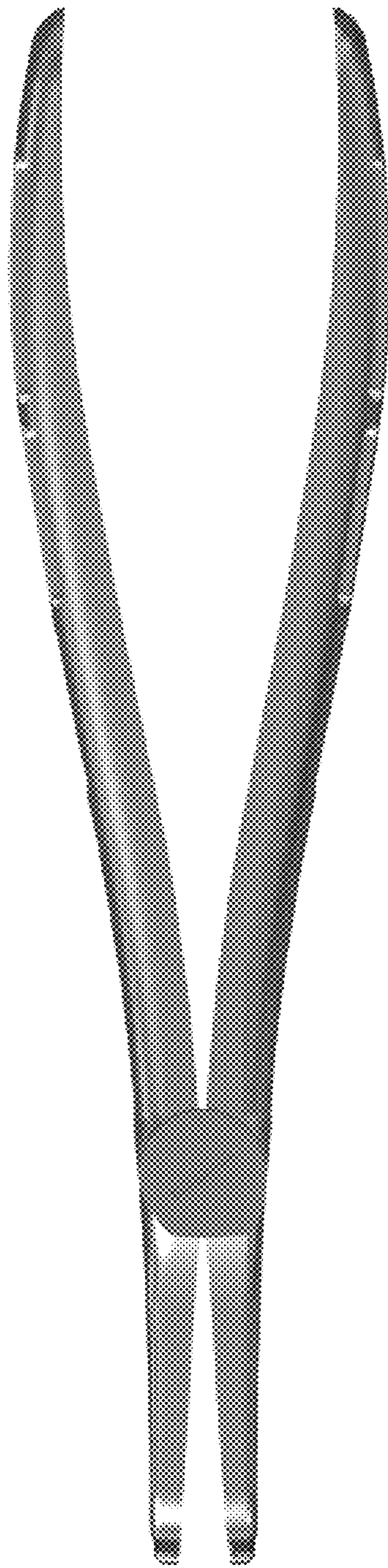


FIG. 2

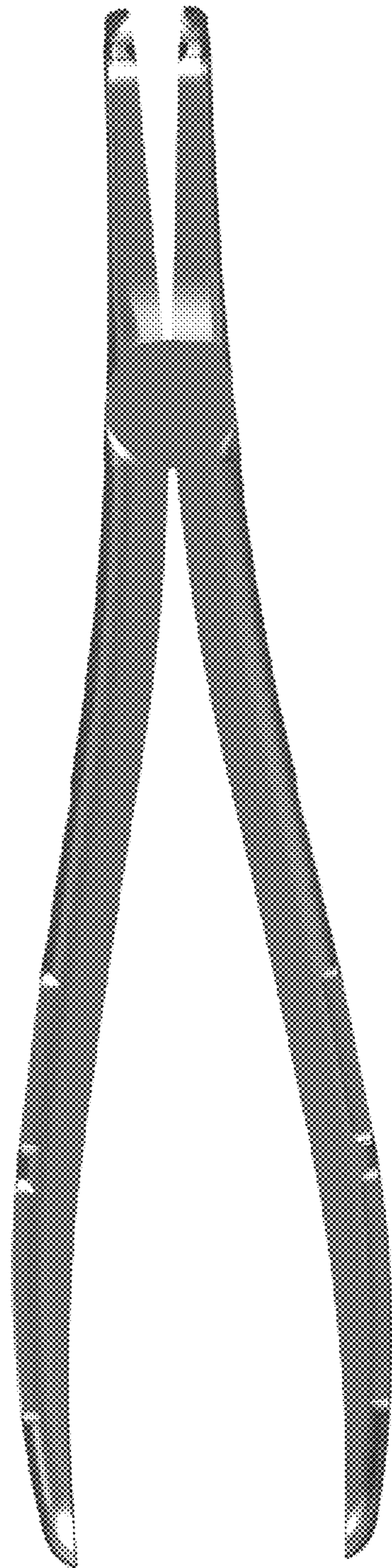


FIG. 3

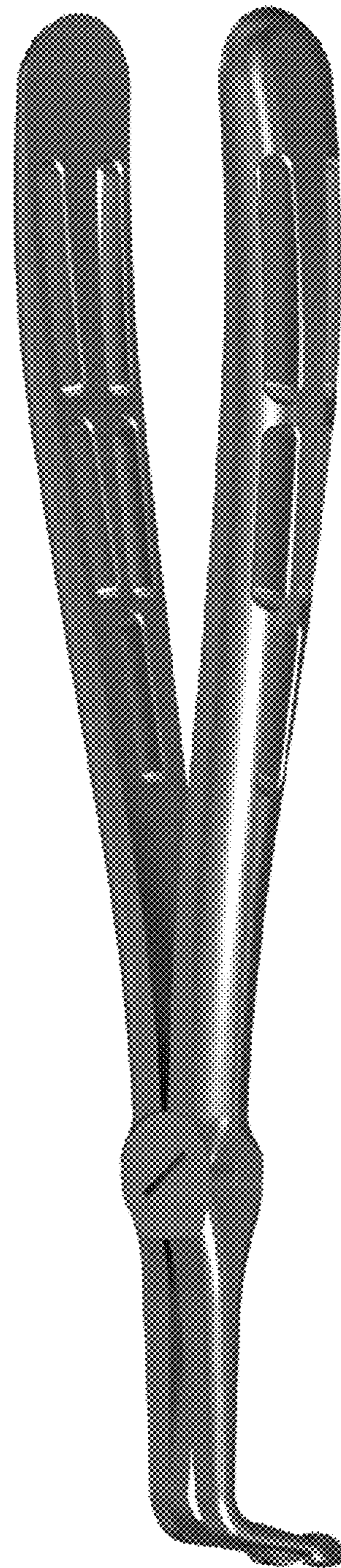


FIG. 4

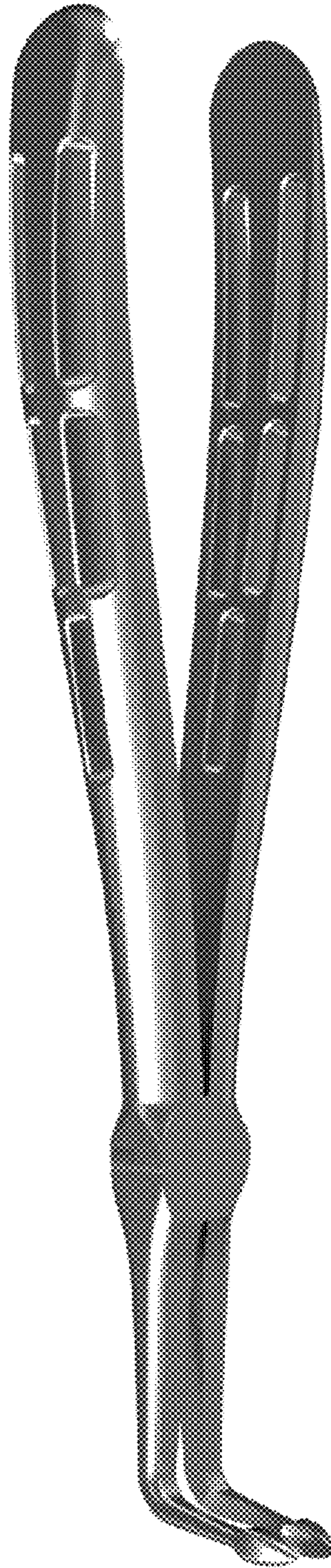


FIG. 5

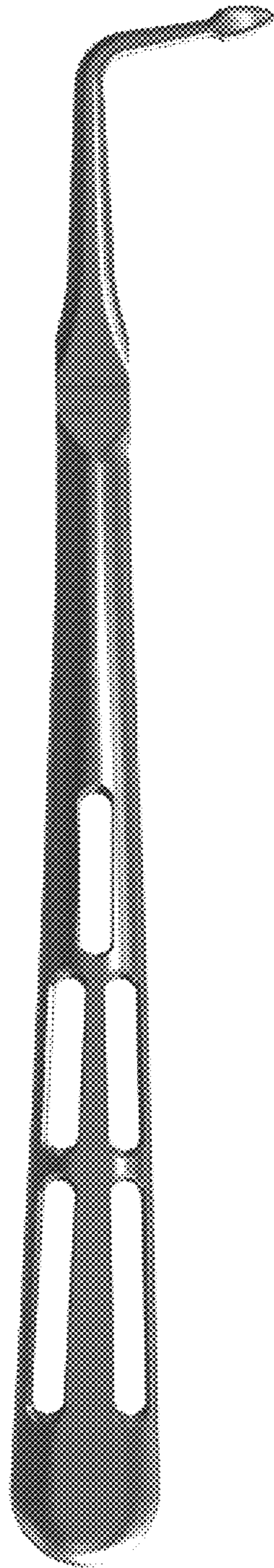


FIG. 6

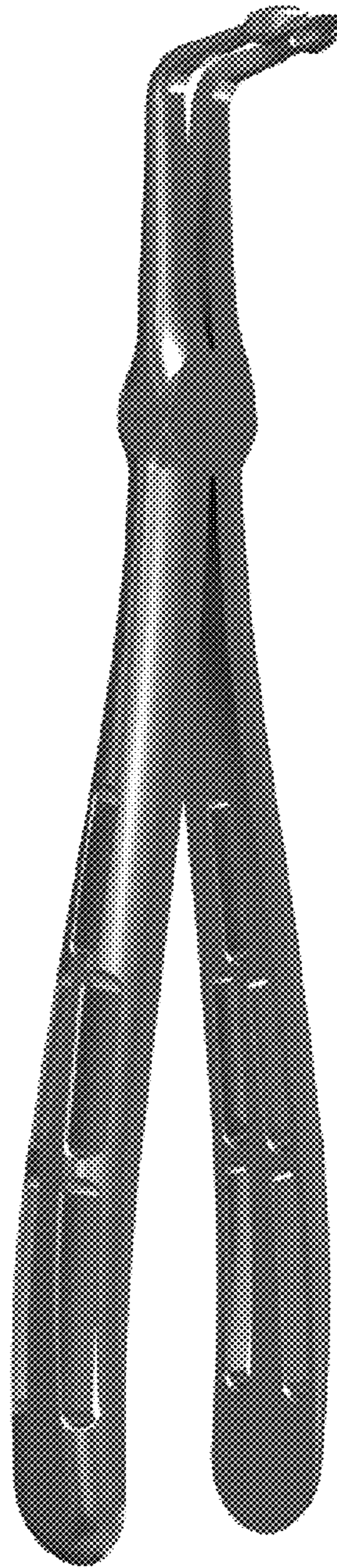


FIG. 7