



US00D890340S

(12) **United States Design Patent** (10) **Patent No.:** **US D890,340 S**  
**Wohnhaas et al.** (45) **Date of Patent:** **\*\* Jul. 14, 2020**

(54) **DENTAL CAMERA**

(56) **References Cited**

(71) Applicant: **Kaltenbach & Voigt GmbH**, Biberach an der Riss (DE)

U.S. PATENT DOCUMENTS

(72) Inventors: **Roland Wohnhaas**, Mittelbiberach (DE); **Carolin Frontzek**, Munich (DE); **Matthis Hamann**, Gruenwald (DE); **Christian Rogge**, Munich (DE)

D354,566	S	*	1/1995	Donahoo	.....	D14/411
D414,867	S	*	10/1999	Moriwaki	.....	D24/152
D630,747	S	*	1/2011	Shinohara	.....	D24/137
D674,091	S	*	1/2013	Carlson	.....	D24/152
D690,346	S	*	9/2013	Woolley	.....	D16/200
D722,164	S	*	2/2015	Graham, II	.....	D24/152
D742,518	S	*	11/2015	Barak	.....	D24/158
D760,901	S	*	7/2016	Barak	.....	D24/158
D785,176	S	*	4/2017	Tseng	.....	D16/208
D862,697	S	*	10/2019	Kenworthy	.....	D24/158
2012/0122051	A1	*	5/2012	Hackel	.....	A61B 1/00096 433/29
2014/0313299	A1	*	10/2014	Gebhardt	.....	A61B 1/24 348/66

(73) Assignee: **KALTENBACH & VOIGT GMBH**, Biberach an der Riss (DE)

(\*\*) Term: **15 Years**

(21) Appl. No.: **29/674,914**

\* cited by examiner

(22) Filed: **Dec. 27, 2018**

*Primary Examiner* — Wan Laymon

*Assistant Examiner* — Clint A Samuel

(30) **Foreign Application Priority Data**

(74) *Attorney, Agent, or Firm* — Scully Scott Murphy and Presser

Jun. 29, 2018 (DE) ..... 40 2018 100 639

(51) **LOC (12) Cl.** ..... **24-02**

(57) **CLAIM**

The ornamental design for a dental camera, as shown and described.

(52) **U.S. Cl.**

USPC ..... **D24/152**; D24/158

**DESCRIPTION**

(58) **Field of Classification Search**

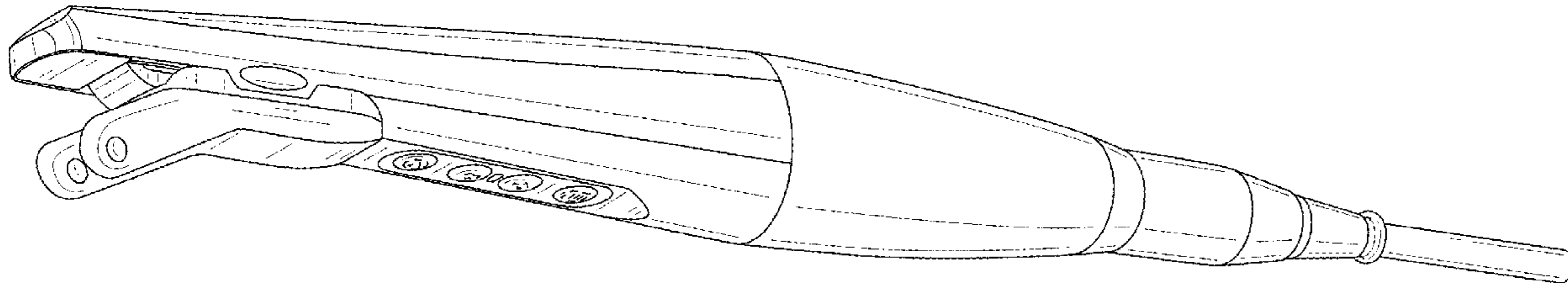
USPC ..... D4/100, 101, 102, 104, 108, 110, 111, D4/127, 129; D24/107, 146, 152, 158, D24/176, 193, 194; D16/130, 131, 135, D16/200, 208; D14/411

CPC ..... A61C 15/00; A61C 15/047; A61C 15/048; A61C 17/16; A61C 17/18; A61C 17/32; A61C 17/34; A61C 3/06; A46B 5/0008; A46B 5/0095; A46B 2200/10; A46B 2200/108; A46B 2200/1026; A46B 2200/1066; A46B 2200/1073; A46B 9/04; A61B 1/24

FIG. 1 illustrates a perspective view of a dental camera showing our new and ornamental design; FIG. 2 illustrates a left side elevation view thereof; FIG. 3 illustrates a right side elevation view thereof; FIG. 4 illustrates a bottom plan view thereof; FIG. 5 illustrates a top plan view thereof; FIG. 6. Illustrates back elevation view thereof; and, FIG. 7 illustrates a front elevation view thereof. The broken lines are included for the purpose of illustrating portions of the dental camera that form no part of the claimed design.

See application file for complete search history.

**1 Claim, 7 Drawing Sheets**



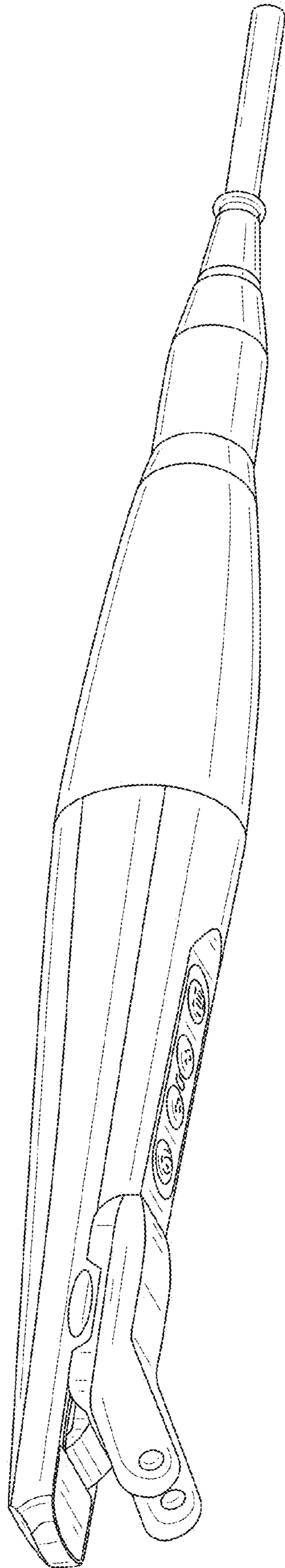


FIG. 1

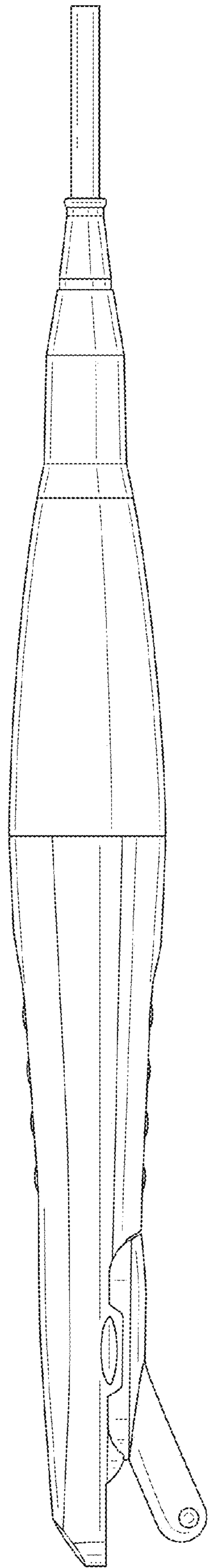


FIG. 2

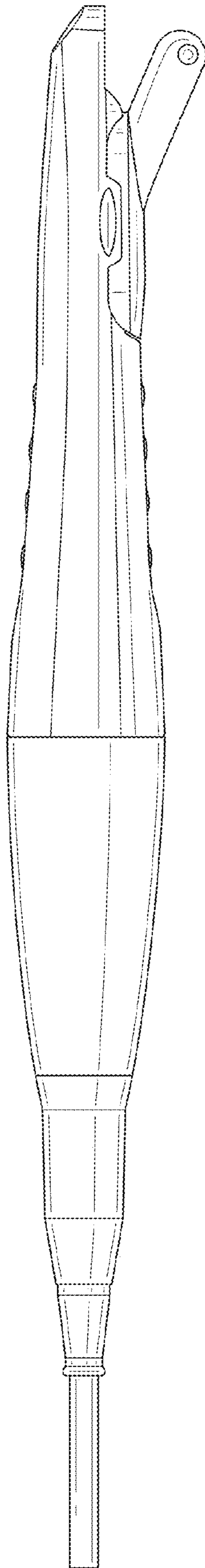


FIG. 3

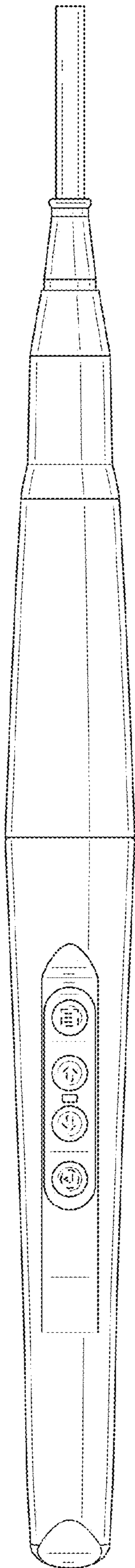


FIG. 4

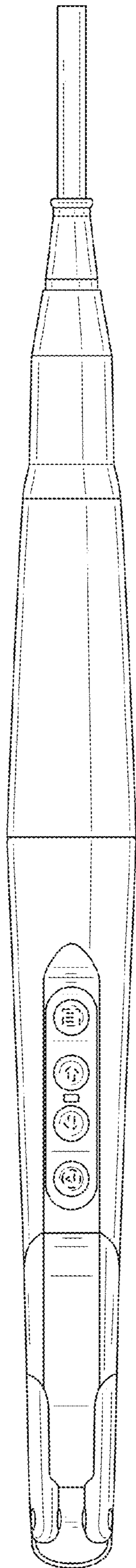


FIG. 5

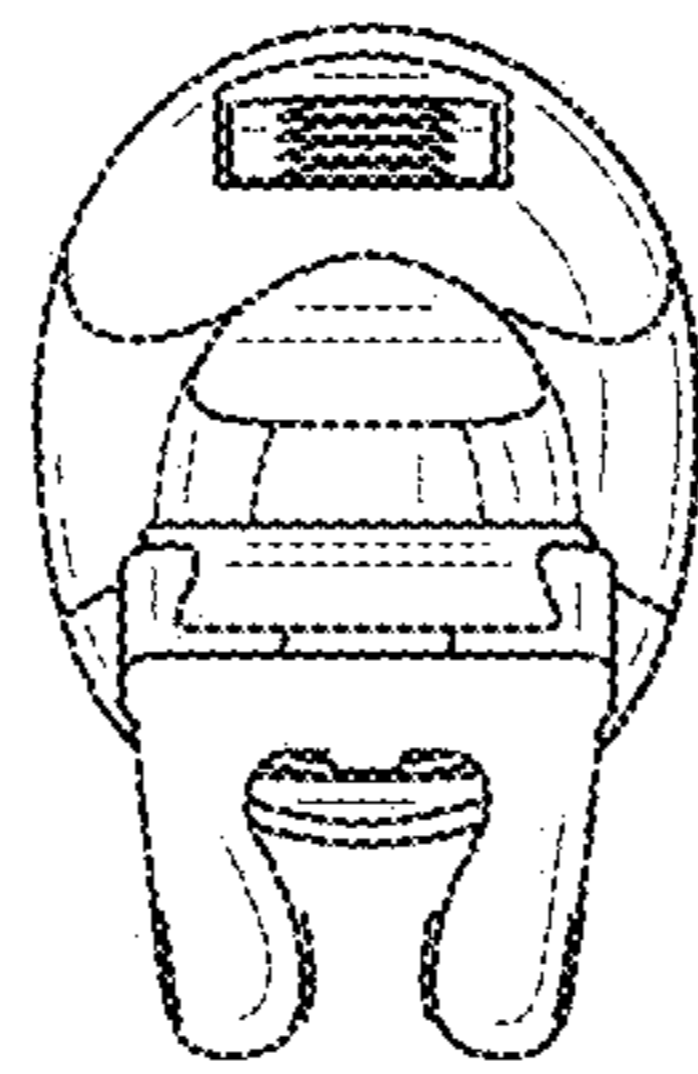


FIG. 6

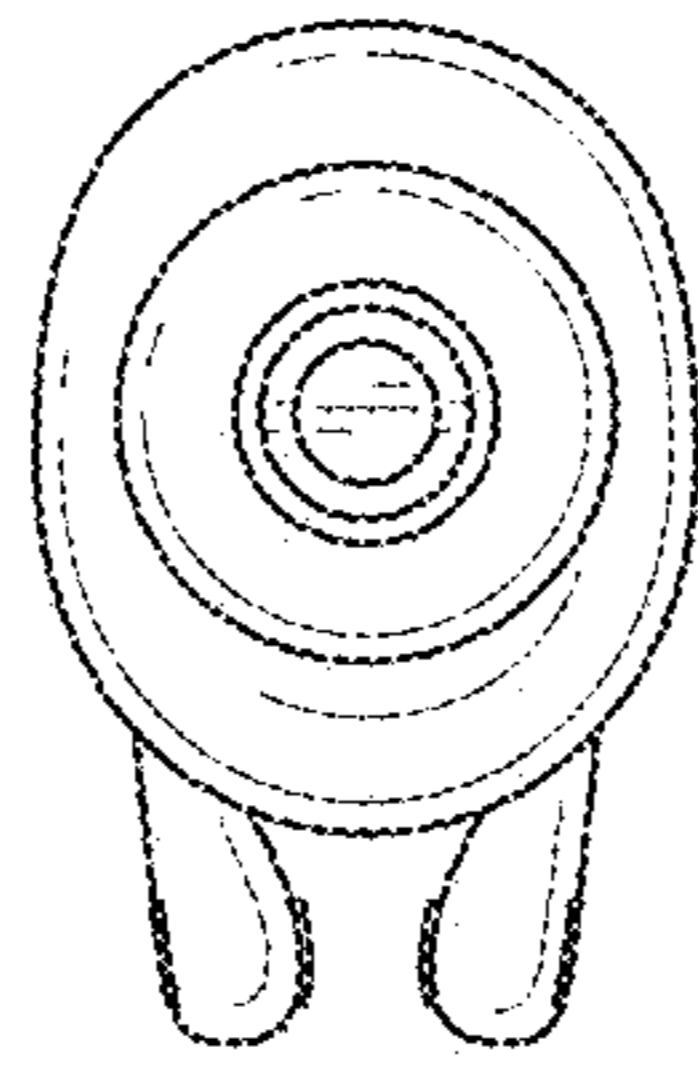


FIG. 7