



US00D890337S

(12) **United States Design Patent**
Harders et al.

(10) **Patent No.:** **US D890,337 S**
(45) **Date of Patent:** **** Jul. 14, 2020**

(54) **DUAL STRAP LOW PROFILE GRIPPING DEVICE**

4,874,380 A * 10/1989 Hesketh A61M 25/02
604/180

(71) Applicant: **BioDerm, Inc.**, Largo, FL (US)

D504,175 S * 4/2005 Westbrook A61M 5/1418
D24/128

(72) Inventors: **James Alan Harders**, Indian Rocks Beach, FL (US); **Shawn Stone**, St. Petersburg Beach, FL (US)

D817,486 S * 5/2018 Corato D24/128
D848,615 S * 5/2019 McNeill D24/128
D848,616 S * 5/2019 McNeill D24/128

(73) Assignee: **BioDerm, Inc.**, Largo, FL (US)

2009/0326474 A1 12/2009 Bierman et al.
2011/0118670 A1 5/2011 Kay et al.
2012/0203182 A1 8/2012 Kay et al.
2013/0165863 A1* 6/2013 Nilson A61M 25/02
604/180

(**) Term: **15 Years**

2014/0046265 A1 2/2014 Kay et al.
2017/0136215 A1 5/2017 Harders et al.
2019/0314611 A1* 10/2019 Harders A61M 25/02

(21) Appl. No.: **29/661,230**

* cited by examiner

(22) Filed: **Aug. 25, 2018**

Primary Examiner — Wan Laymon

Related U.S. Application Data

(74) *Attorney, Agent, or Firm* — Stephen E. Kelly; Thomas J. Banks; Hill Ward Henderson, P.A.

(63) Continuation-in-part of application No. 15/658,254, filed on Jul. 24, 2017, now Pat. No. 10,369,332.

(60) Provisional application No. 62/483,719, filed on Apr. 10, 2017.

(57) **CLAIM**

The ornamental design for a dual strap low profile gripping device, as shown and described.

(51) **LOC (12) Cl.** **24-02**

(52) **U.S. Cl.**
USPC **D24/143; D24/128**

DESCRIPTION

(58) **Field of Classification Search**
USPC D24/143, 127-128, 112; 604/177-180
CPC A61M 25/02; A61M 2025/024; A61M 2025/026; A61M 2025/0253; A61M 2025/028

FIG. 1 is a perspective view of a dual strap low profile gripping device according to the present design.

FIG. 2 is a top view of the design.

FIG. 3 is a bottom view of the design.

FIG. 4 is a side view of the design.

FIG. 5 is a side view of the design.

FIG. 6 is a front view; and,

FIG. 7 is a rear view.

In the drawings, the portions of the design shown by broken lines form no part of the claimed design.

See application file for complete search history.

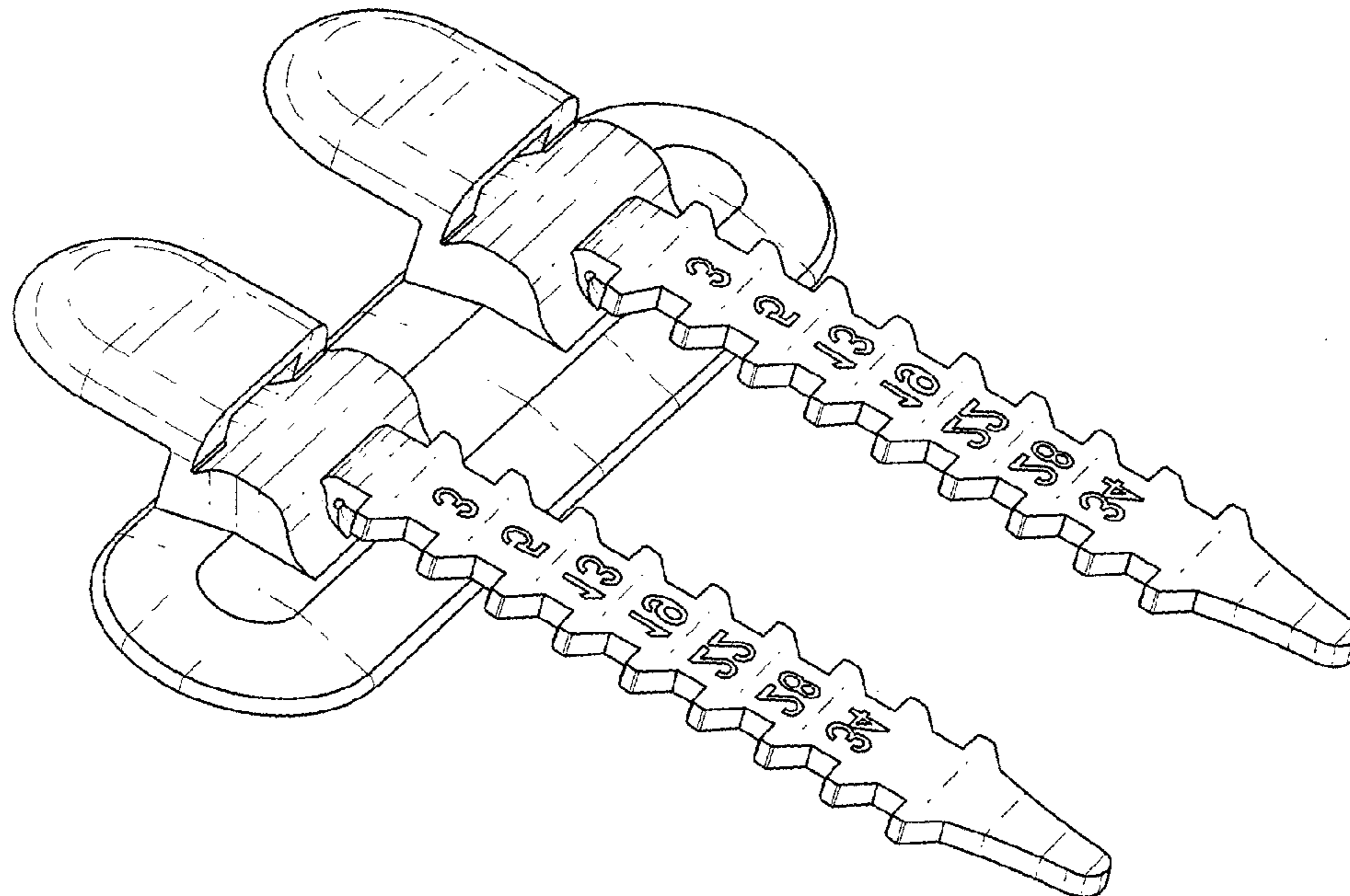
(56) **References Cited**

U.S. PATENT DOCUMENTS

3,059,645 A * 10/1962 Hasbrouck A61M 25/02
604/179

4,662,873 A 5/1987 Lash et al.

1 Claim, 5 Drawing Sheets



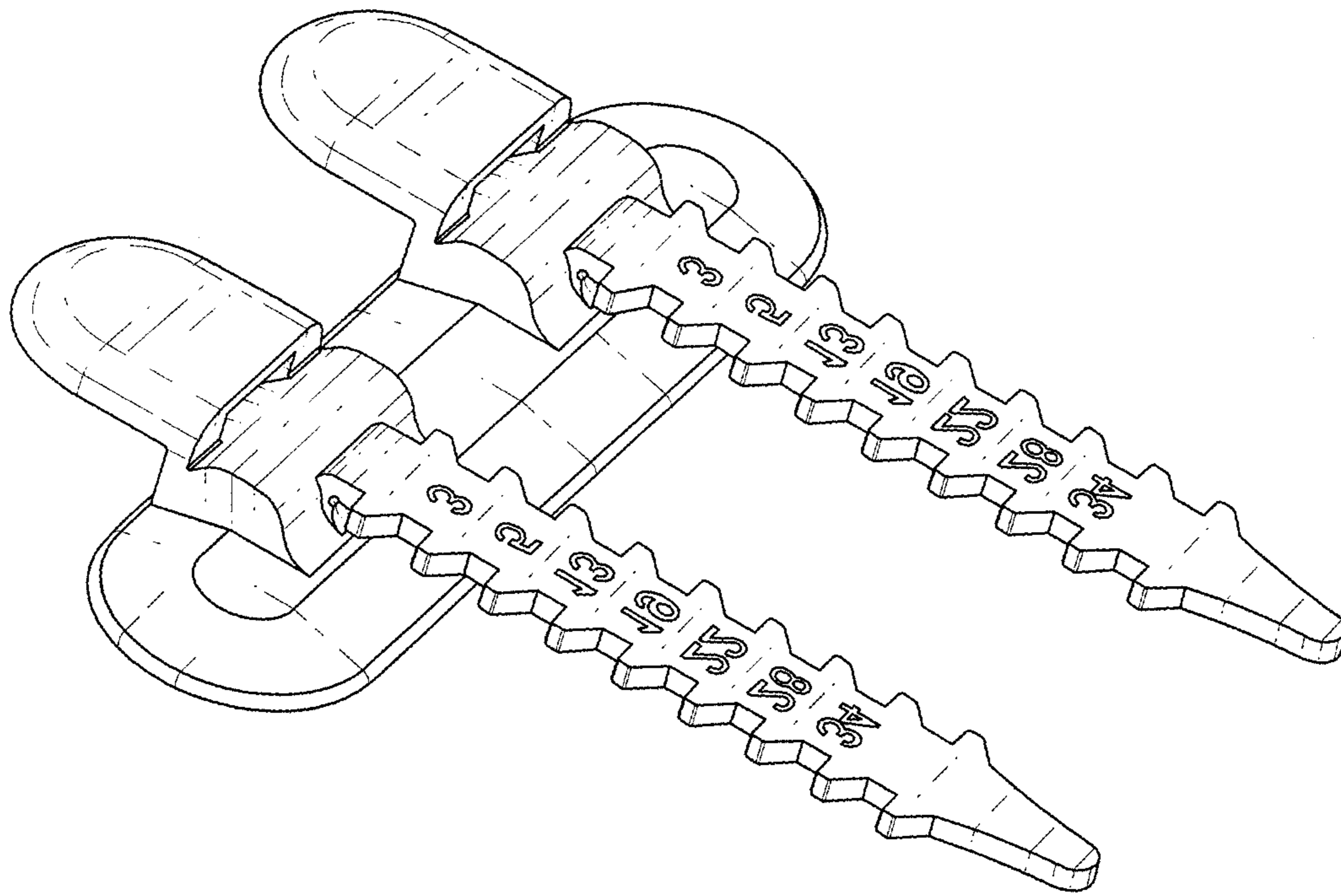


FIG. 1

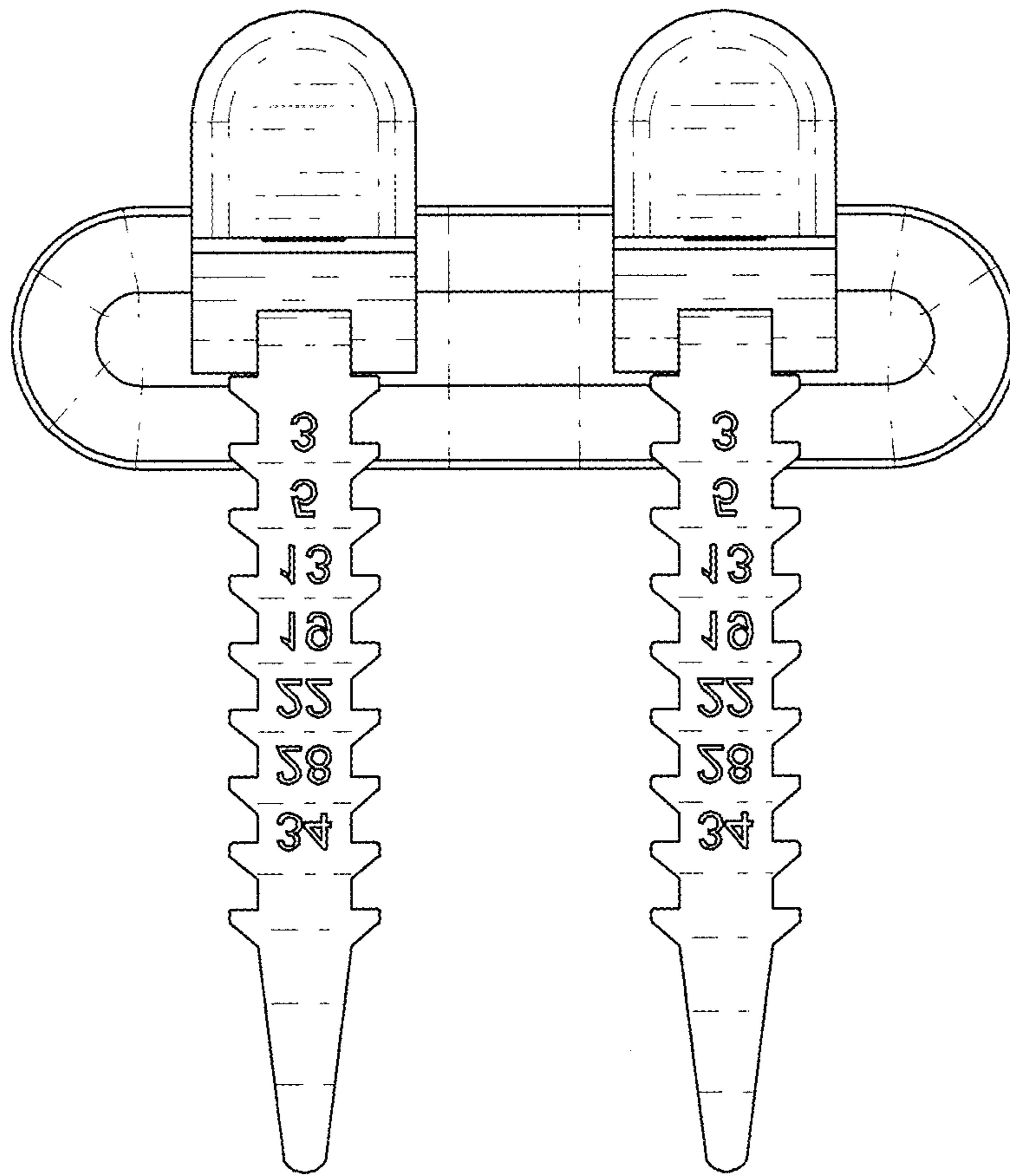


FIG. 2

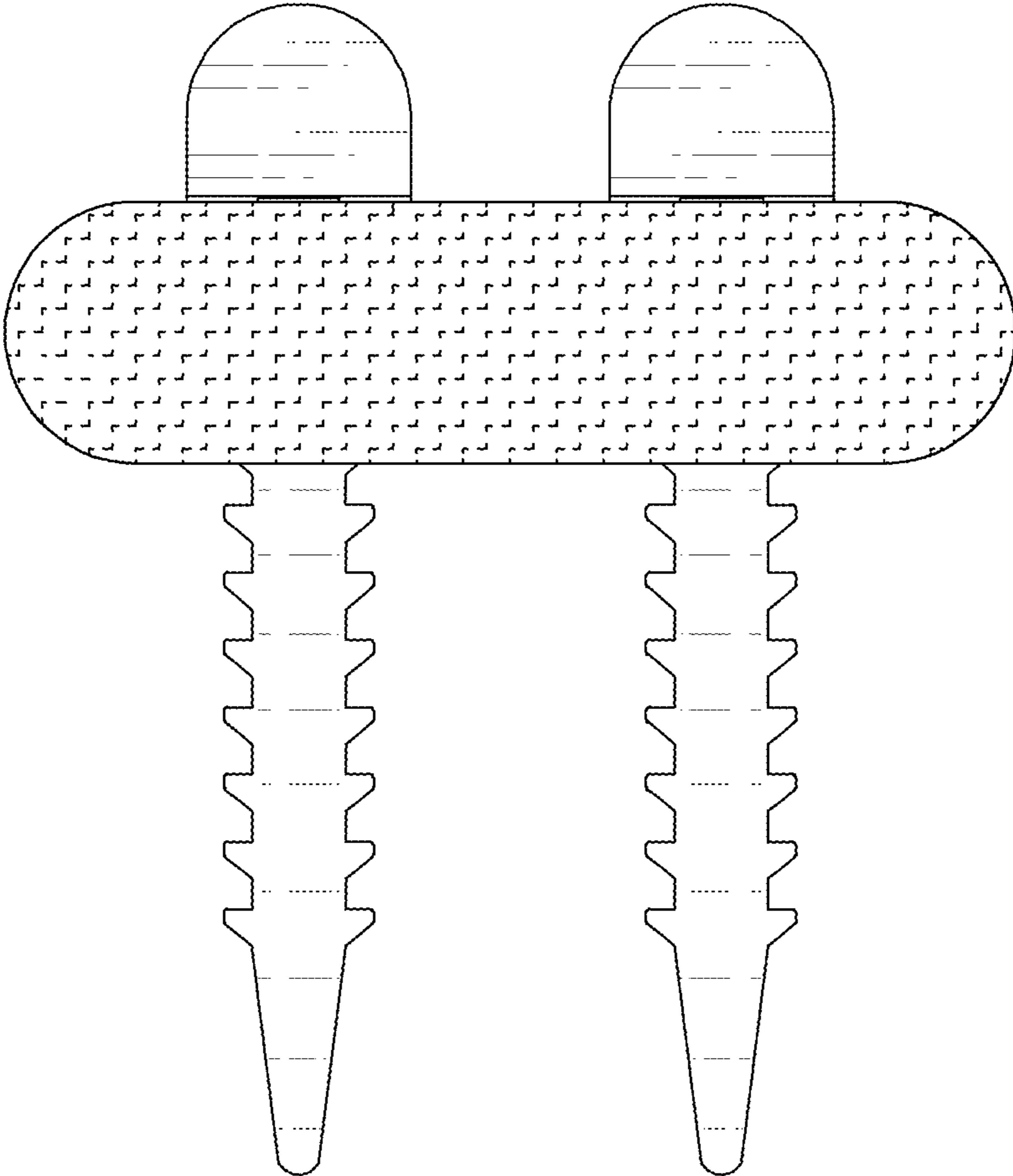


FIG. 3

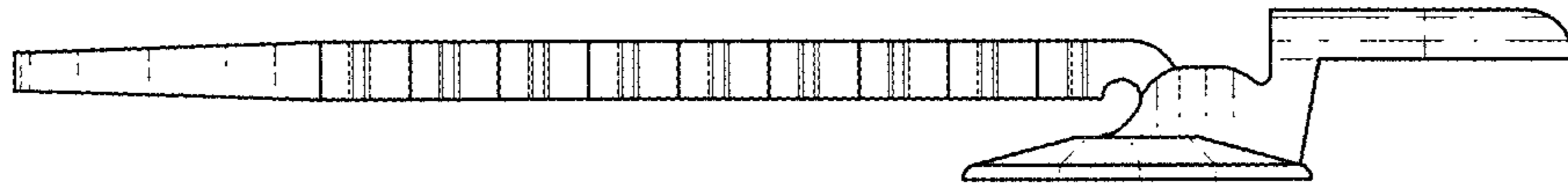


FIG. 4

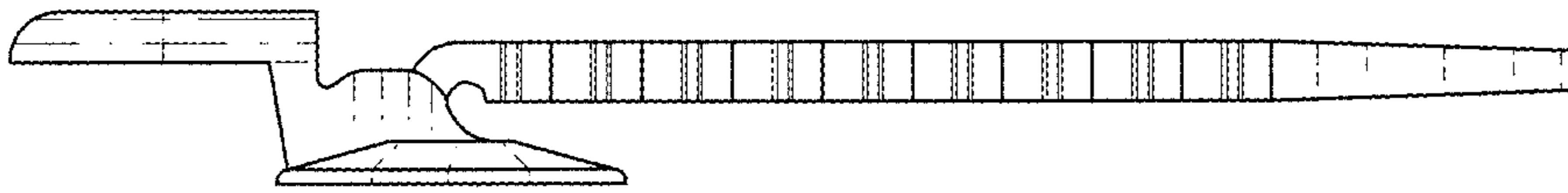


FIG. 5

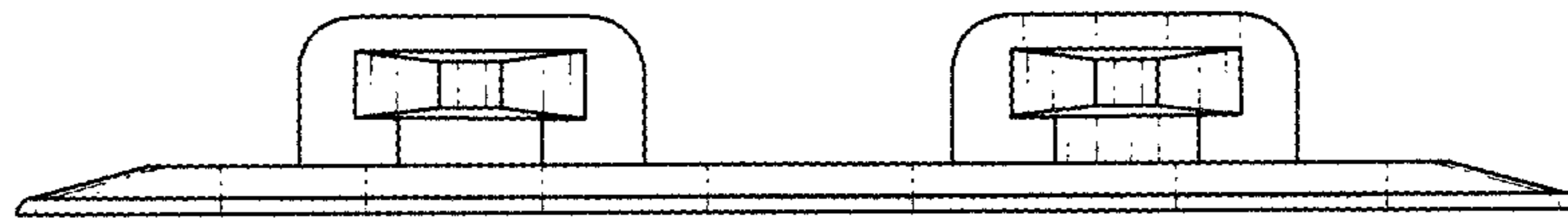


FIG. 6

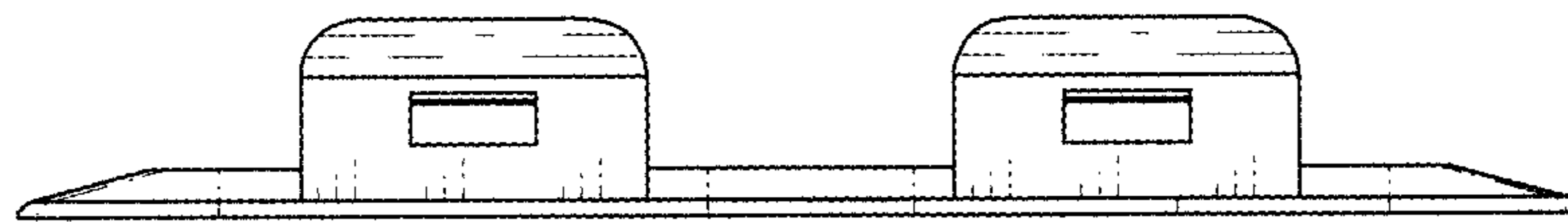


FIG. 7