



US00D890336S

(12) **United States Design Patent**
Lee et al.

(10) **Patent No.:** **US D890,336 S**
(45) **Date of Patent:** **** Jul. 14, 2020**

(54) **DIGITAL DENTAL MIRROR**
(71) Applicant: **Medimaging Integrated Solution, Inc.,**
Hsinchu (TW)
(72) Inventors: **Chung-Hsuan Lee, Hsinchu (TW);**
Yi-Han Huang, Hsinchu (TW);
Chia-Jung Lee, Hsinchu (TW);
Yu-Tsung Lee, Hsinchu (TW)
(73) Assignee: **MEDIMAGING INTEGRATED**
SOLUTION, INC., Hsinchu (TW)

D748,785 S * 2/2016 Denison D24/139
D869,654 S * 12/2019 Elazar D24/139
2005/0074719 A1* 4/2005 Croop A61B 1/253
433/30
2006/0166162 A1* 7/2006 Ting A61B 1/247
433/31
2016/0278625 A1* 9/2016 Solomon A61B 1/00068
2017/0119239 A1* 5/2017 Ahn A61B 1/253
2019/0069770 A1* 3/2019 Bourget A61B 1/247

* cited by examiner

(**) Term: **15 Years**

Primary Examiner — Eliza Z Bennett-Hattan
(74) *Attorney, Agent, or Firm* — Muncy, Geissler, Olds &
Lowe, P.C.

(21) Appl. No.: **29/627,168**

(57) **CLAIM**

(22) Filed: **Nov. 22, 2017**

The ornamental design for a digital dental mirror, as shown
and described.

(30) **Foreign Application Priority Data**

DESCRIPTION

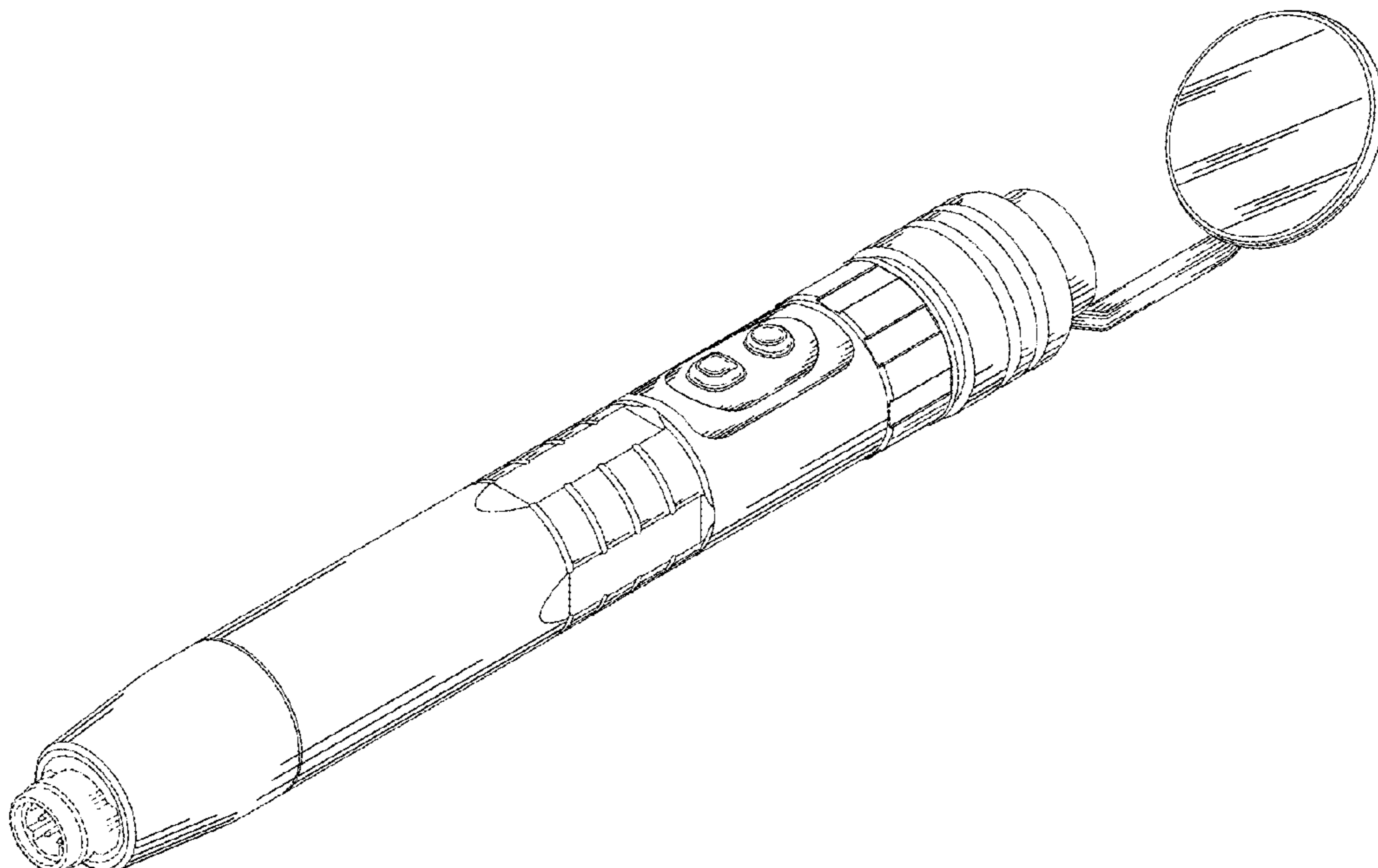
Jun. 30, 2017 (TW) 106303730
(51) **LOC (12) Cl.** **24-02**
(52) **U.S. Cl.**
USPC **D24/139**
(58) **Field of Classification Search**
USPC D24/133, 127, 152, 153, 154, 176, 177,
D24/182, 139
CPC . A61B 1/253; A61B 1/00068; A61B 1/00128;
A61B 1/00091; A61B 1/015; A61B 1/126
See application file for complete search history.

FIG. 1 is a perspective view of a digital dental mirror
showing our new design;
FIG. 2 is a front elevational view thereof;
FIG. 3 is a rear elevational view thereof;
FIG. 4 is a left side elevational view thereof;
FIG. 5 is a right side elevational view thereof;
FIG. 6 is a top plan view thereof;
FIG. 7 is a bottom plan view thereof;
FIG. 8 is a perspective view thereof, showing the digital
dental mirror in use, coupled to a power core; and,
FIG. 9 is a perspective view thereof, showing the mirror
portion separated from the main body portion.
The broken lines illustrate environmental structure which
forms no part of the claimed design. The dash-dot broken
lines in FIG. 9 represent a boundary that forms no part of the
claimed design.

(56) **References Cited**
U.S. PATENT DOCUMENTS

D259,952 S * 7/1981 Hukuba D24/139
D618,795 S * 6/2010 Nguyen D24/139
D659,840 S * 5/2012 Cheng D24/137

1 Claim, 8 Drawing Sheets



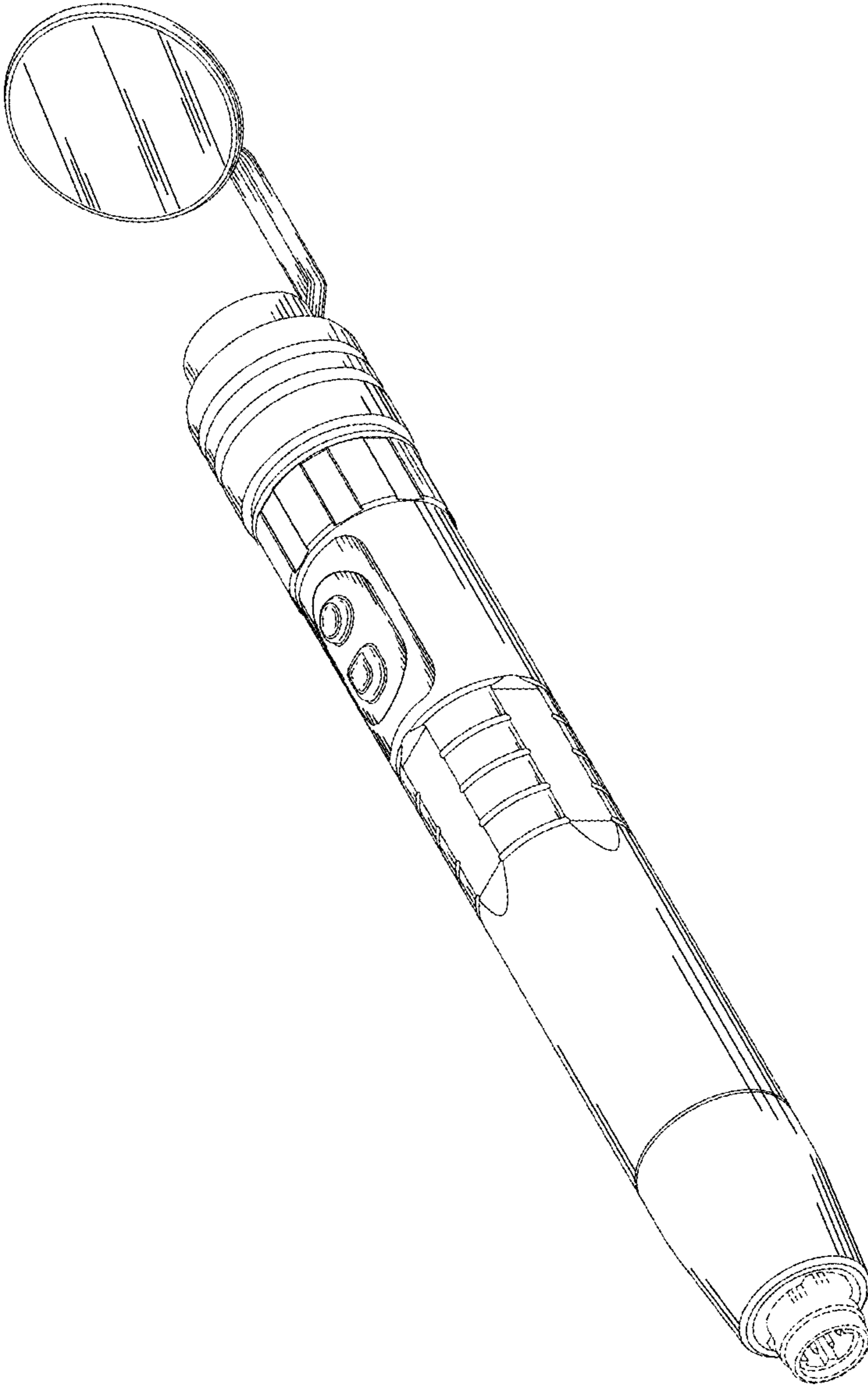


FIG.1

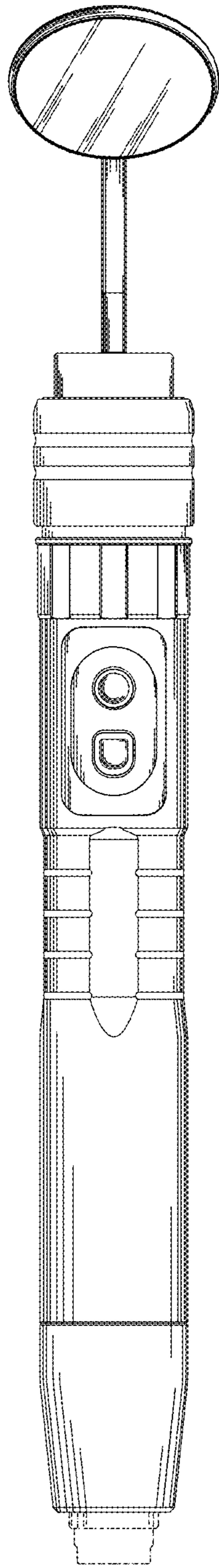


FIG.2

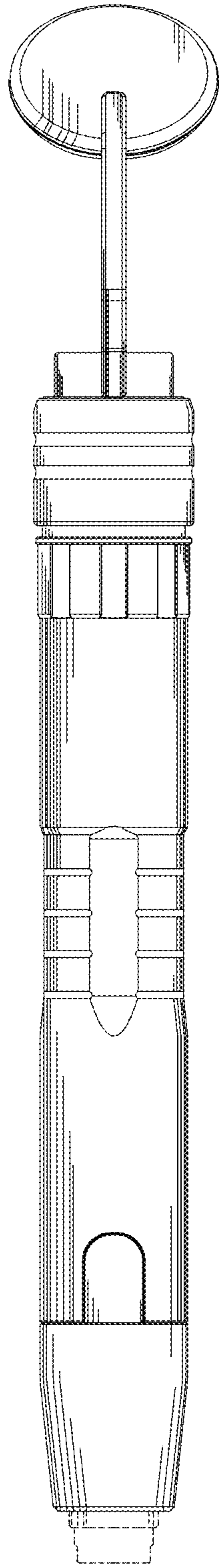


FIG.3

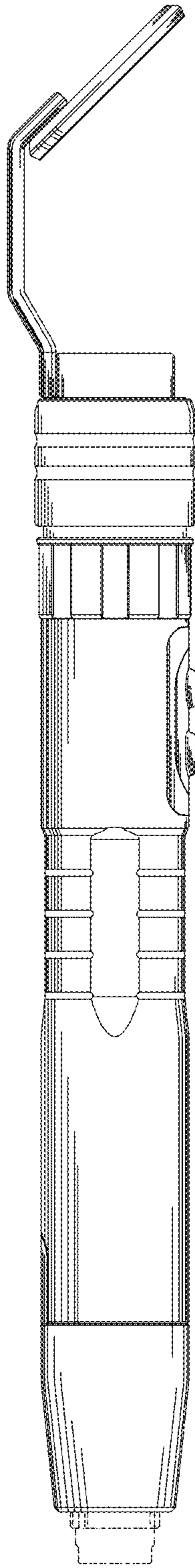


FIG.4

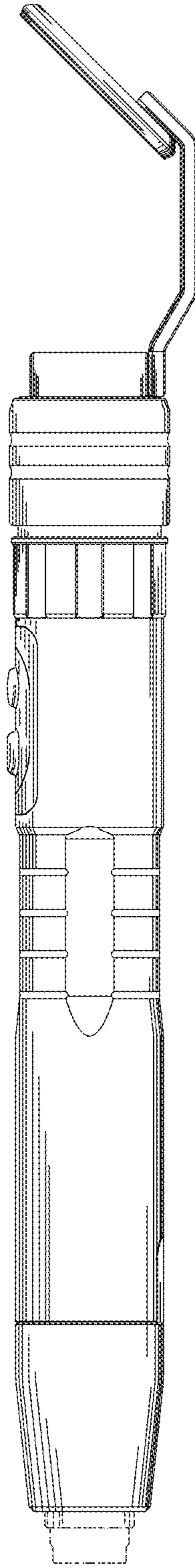


FIG.5

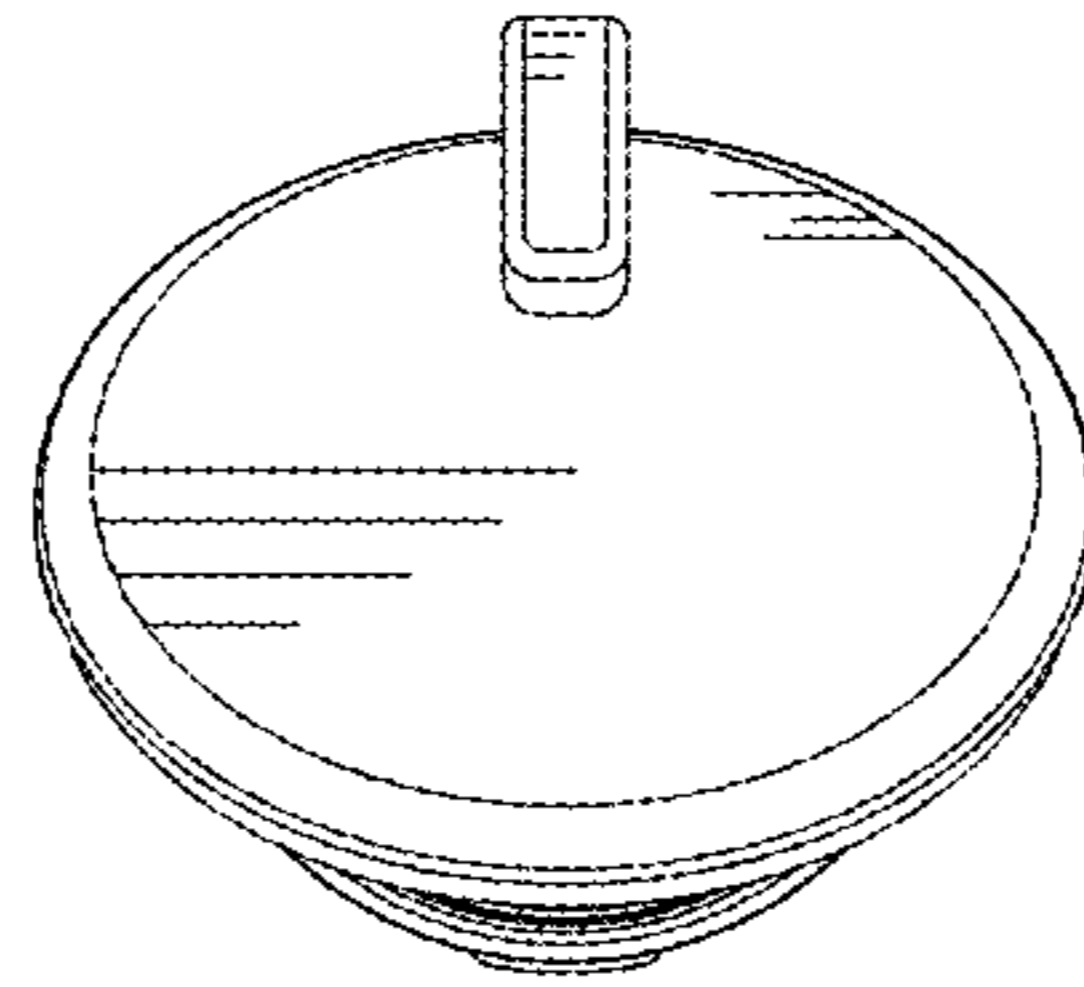


FIG. 6

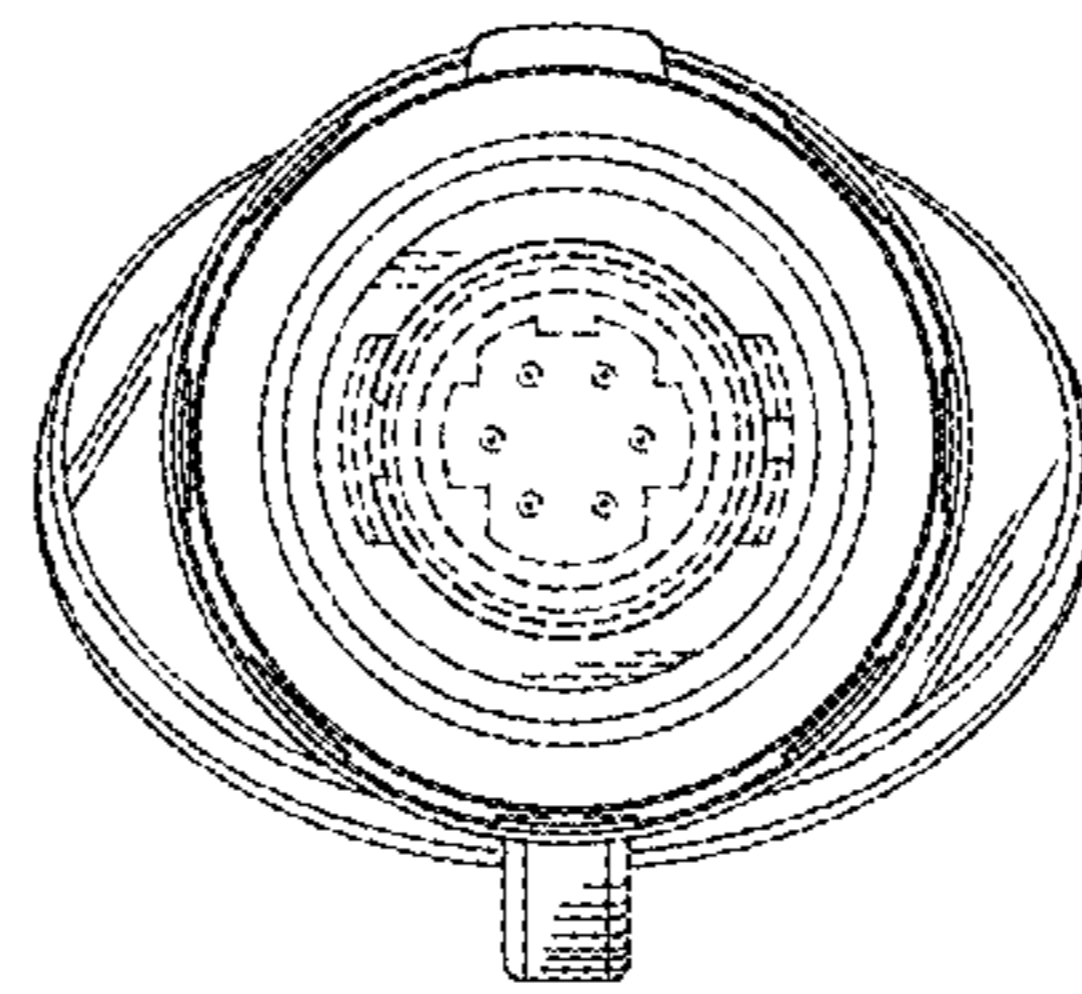


FIG. 7

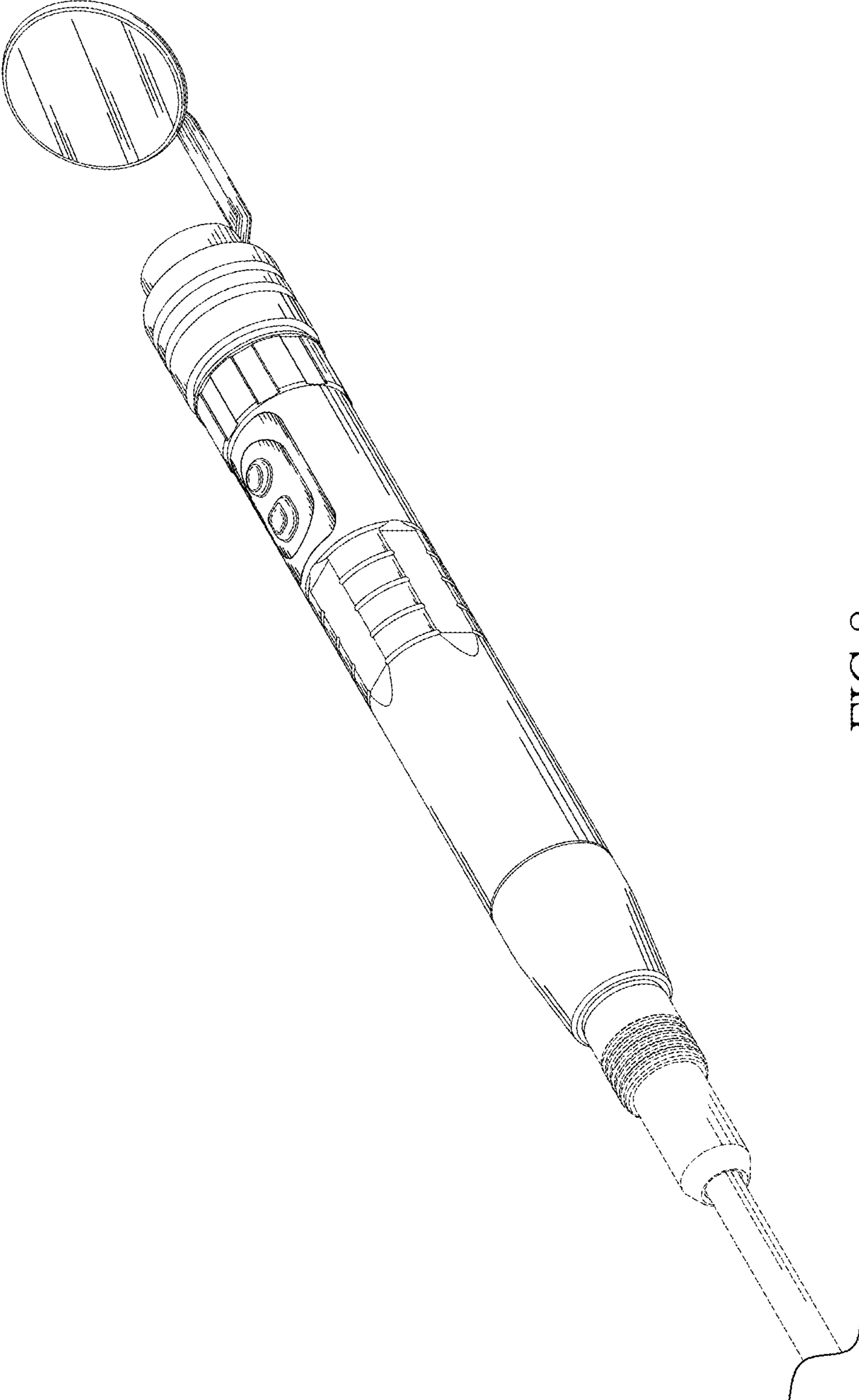


FIG. 8

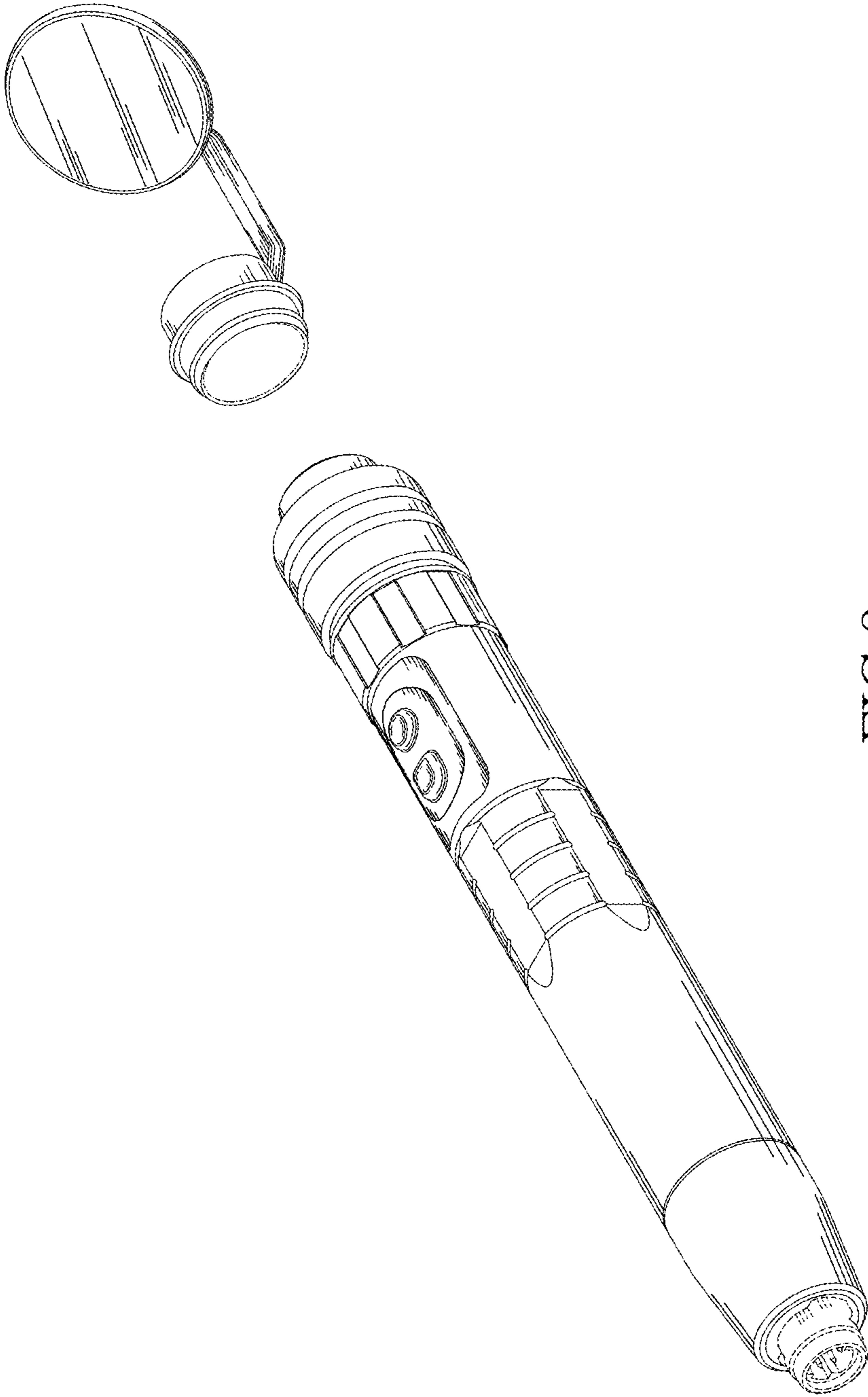


FIG.9