

US00D890334S

(12) **United States Design Patent**  
**Saines**

(10) **Patent No.:** **US D890,334 S**  
(45) **Date of Patent:** **\*\* Jul. 14, 2020**

(54) **LOW PROFILE SELF-SEALING ACCESS PORT**

(71) Applicant: **Marius Saines**, Inglewood, CA (US)

(72) Inventor: **Marius Saines**, Inglewood, CA (US)

(\*\*) Term: **15 Years**

(21) Appl. No.: **29/643,082**

(22) Filed: **Apr. 4, 2018**

(51) **LOC (12) Cl.** ..... **24-02**

(52) **U.S. Cl.**  
USPC ..... **D24/129**

(58) **Field of Classification Search**  
USPC ..... D24/127-131, 112-114, 133, 186;  
606/181, 185; 604/264, 523-528, 272,  
604/187, 158, 164.01-164.11, 181, 184,  
604/227; 600/101, 139, 143;  
128/200.24, 207.14, 207.15  
CPC .. A61M 39/0208; A61M 1/3661; A61M 1/14;  
A61M 1/3655; A61M 39/04; A61M  
2039/0223

See application file for complete search history.

(56) **References Cited**

**U.S. PATENT DOCUMENTS**

4,781,680 A \* 11/1988 Redmond ..... A61M 39/0208  
604/185  
5,360,407 A \* 11/1994 Leonard ..... A61M 39/0208  
604/116  
6,562,023 B1 \* 5/2003 Marrs ..... A61M 39/0208  
604/288.01  
6,682,498 B2 \* 1/2004 Ross ..... A61M 1/3653  
604/264  
D658,306 S \* 4/2012 Gevaert ..... D24/216

8,920,390 B2 \* 12/2014 Dalton ..... A61M 39/0208  
604/288.01  
D758,222 S \* 6/2016 Uchiumi ..... D10/81  
2006/0116648 A1 \* 6/2006 Hamatake ..... A61M 39/0208  
604/288.02  
2012/0041426 A1 \* 2/2012 Bizup ..... A61M 39/1011  
604/536  
2013/0338494 A1 \* 12/2013 Wiley ..... A61M 39/0247  
600/424  
2014/0213988 A1 \* 7/2014 Perouse ..... A61M 5/1428  
604/288.02  
2014/0378942 A1 \* 12/2014 Christian ..... A61M 39/0208  
604/506  
2016/0174888 A1 \* 6/2016 Berthier ..... A61B 5/150358  
600/575

\* cited by examiner

*Primary Examiner* — Nathan M Johnston  
(74) *Attorney, Agent, or Firm* — Lewis Anten, Esq.

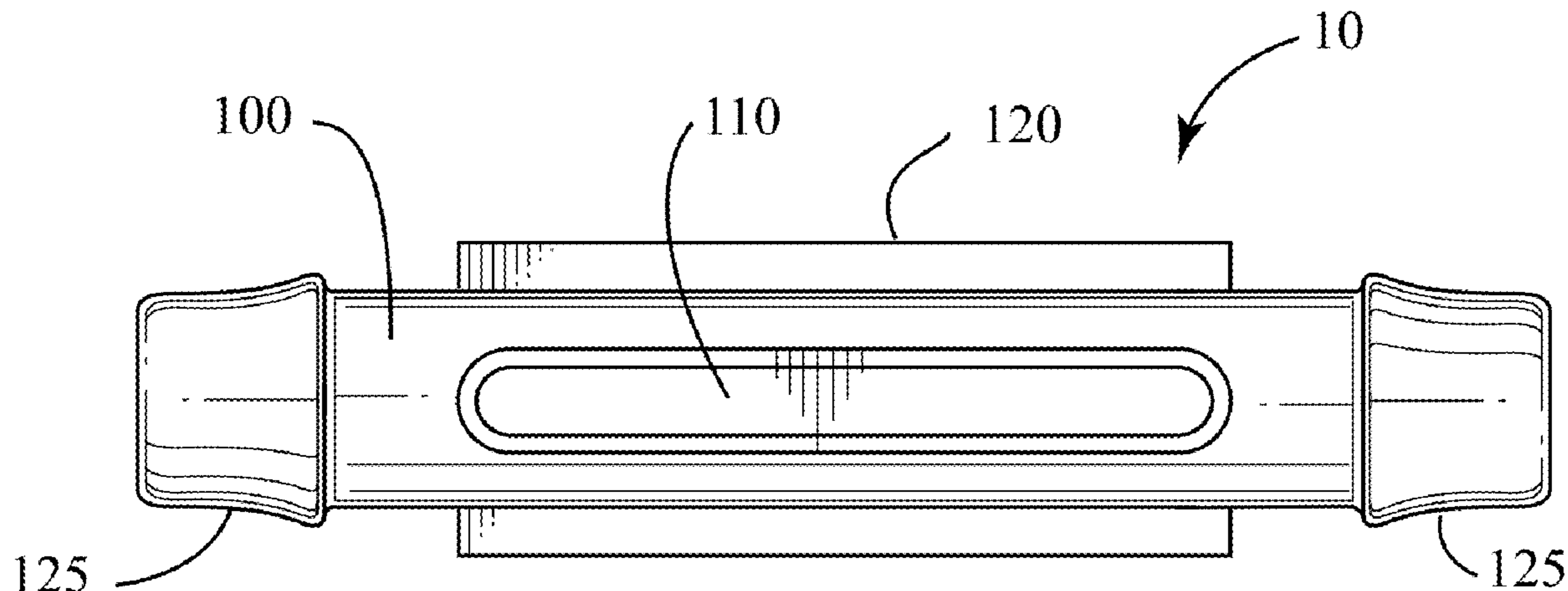
(57) **CLAIM**

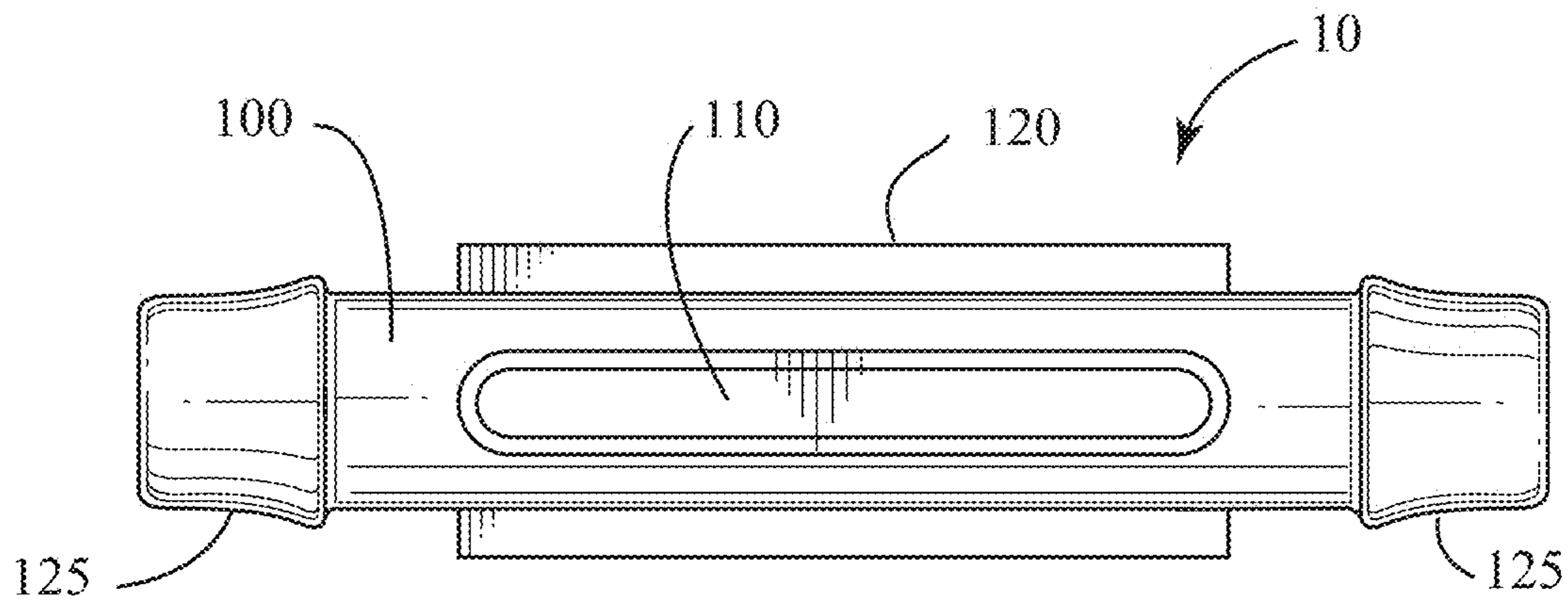
The design for a low profile self-sealing access port device, as shown.

**DESCRIPTION**

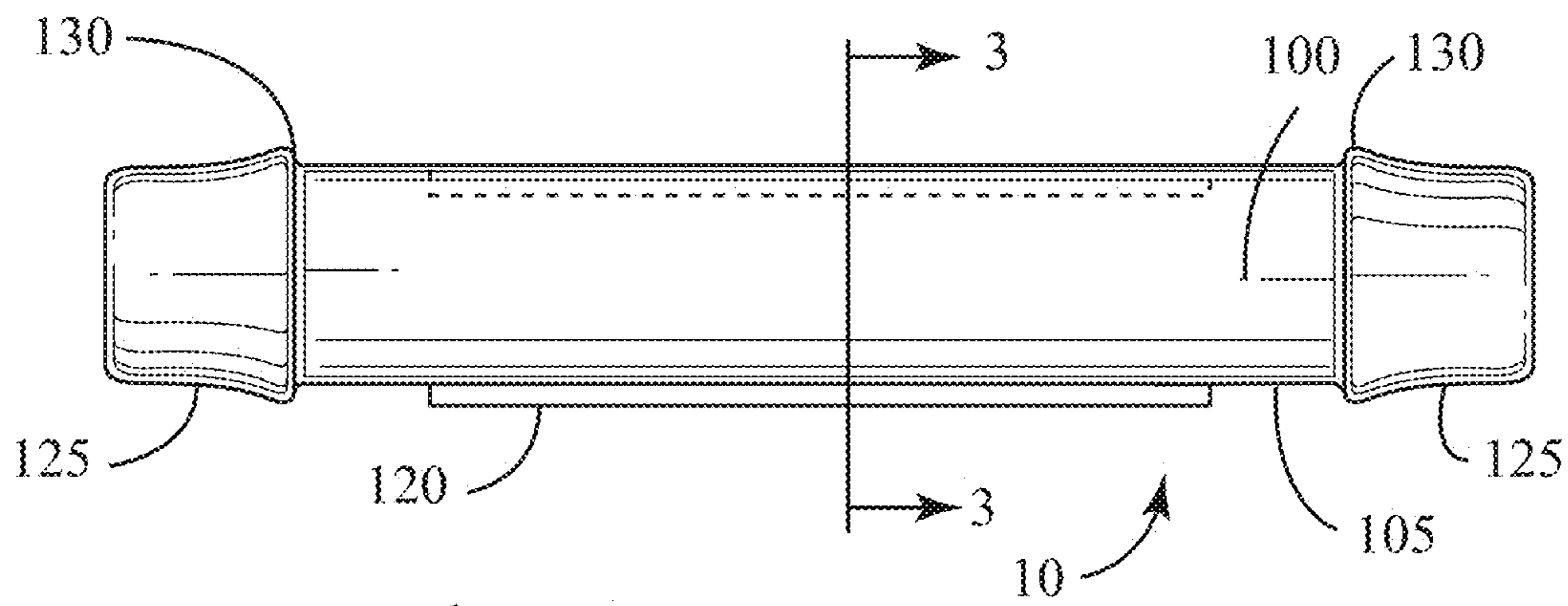
FIG. 1 is a top right perspective view of a low profile self-sealing access port showing my new design;  
FIG. 2 is a top view showing my new design;  
FIG. 3 is a right side view showing my new design. The left side view is a mirror image of the right side view showing my new design;  
FIG. 4 is a front elevation view showing my new design. The rear elevation view is a mirror image of the front elevation view; and,  
FIG. 5 is a bottom view showing my new design.

**1 Claim, 2 Drawing Sheets**

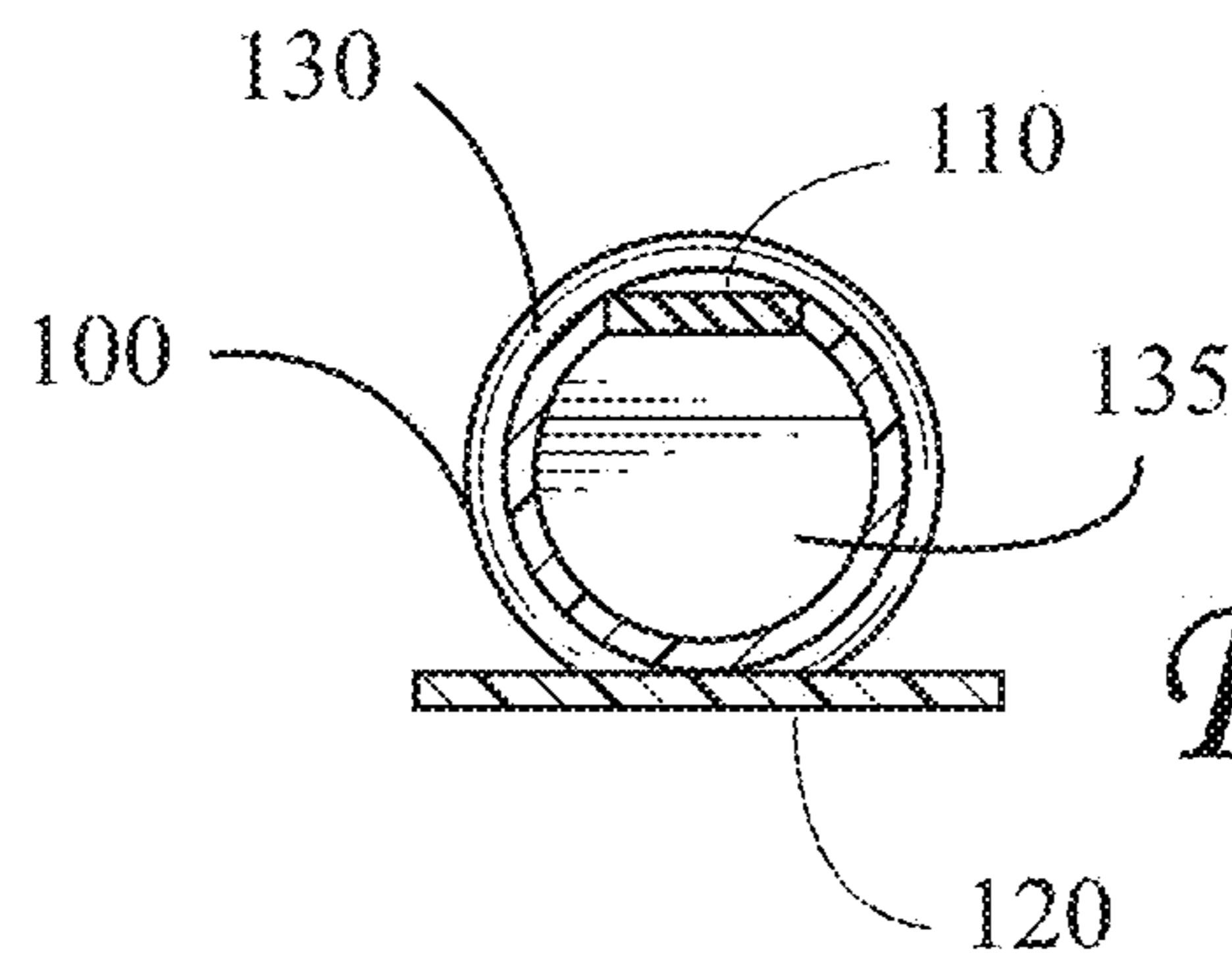




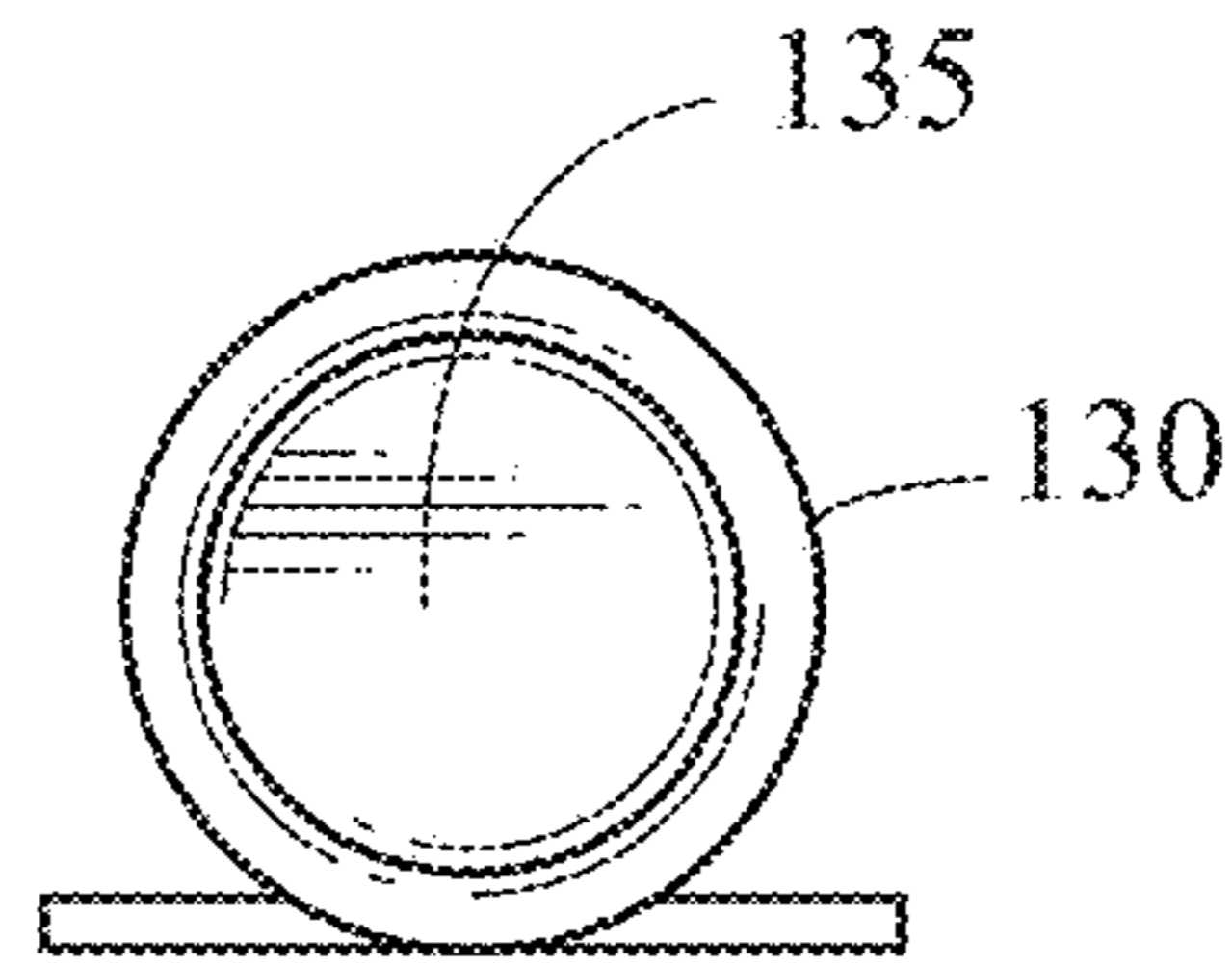
*Fig. 1*



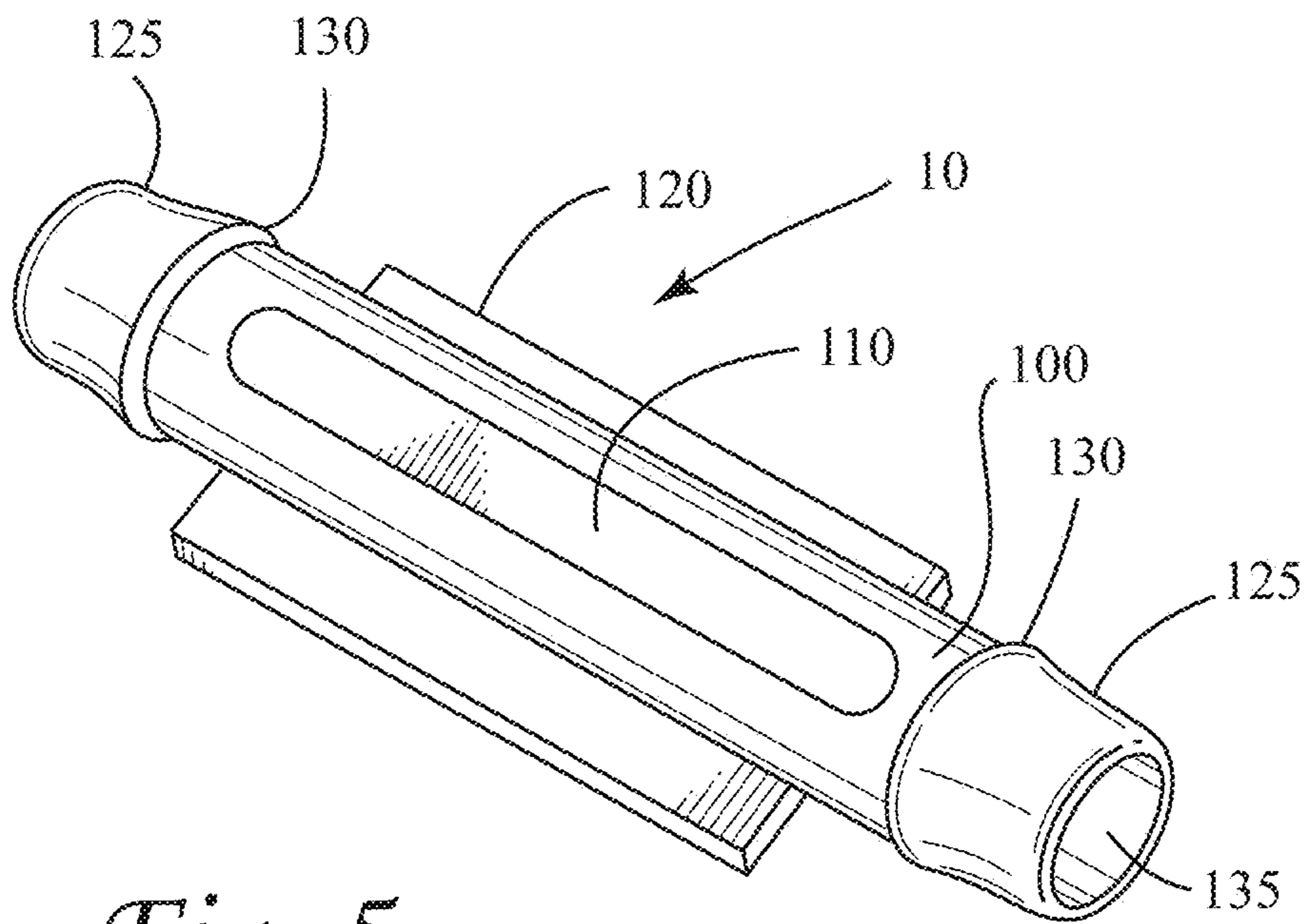
*Fig. 2*



*Fig. 3*



*Fig. 4*



*Fig. 5*