



US00D890331S

(12) **United States Design Patent** (10) **Patent No.:** **US D890,331 S**
Angelini et al. (45) **Date of Patent:** **** Jul. 14, 2020**

(54) **ACCESSORY FOR DIVING EQUIPMENT**

(71) Applicants: **Sergio Angelini**, Lavagna (IT);
Christof Oelrich, Rapallo (IT);
Gabriele Canella, Rapallo (IT)

(72) Inventors: **Sergio Angelini**, Lavagna (IT);
Christof Oelrich, Rapallo (IT);
Gabriele Canella, Rapallo (IT)

(**) Term: **15 Years**

(21) Appl. No.: **29/577,495**

(22) Filed: **Sep. 13, 2016**

(30) **Foreign Application Priority Data**

Apr. 26, 2016 (EM) 003093855-0001

(51) **LOC (12) Cl.** **29-02**

(52) **U.S. Cl.**
USPC **D24/110.5**

(58) **Field of Classification Search**
USPC D24/110-110.6; D29/110
CPC B63C 11/205; B63C 11/16; B63C 11/186;
B63C 11/12
See application file for complete search history.

(56) **References Cited**

U.S. PATENT DOCUMENTS

- D245,121 S * 7/1977 Christianson D24/110.6
- 4,683,881 A * 8/1987 Hansen B63C 11/2227
128/204.26
- D320,486 S * 10/1991 Nelepka D24/110.5
- 5,690,100 A * 11/1997 Pomerantz A62B 9/02
128/204.26
- 5,829,432 A * 11/1998 Semeia B63C 11/186
128/201.27
- 6,021,778 A * 2/2000 Garofalo B63C 11/2227
128/201.27
- 6,681,766 B1 * 1/2004 Matsuoka B63C 11/2227
128/200.25

- 6,718,976 B1 * 4/2004 Matsuoka B63C 11/2227
128/204.26
- 6,718,977 B1 * 4/2004 Matsuoka B63C 11/2227
128/201.26
- 7,347,206 B2 * 3/2008 Pedemonte B63C 11/2227
128/201.27
- 7,617,825 B2 * 11/2009 Pedemonte B63C 11/2227
128/201.11
- D849,244 S * 5/2019 Angelini D24/110.5
- 2005/0016537 A1 * 1/2005 Pedemonte B63C 11/2227
128/204.26
- 2005/0016538 A1 * 1/2005 Pedemonte B63C 11/2227
128/204.26

(Continued)

OTHER PUBLICATIONS

DEMA Team. Mares Unveils Loop 15X Regulator at DEMA 2016. Nov. 18, 2016. DeeperBlue.com. <<https://www.deeperblue.com/mares-unveils-loop-15x-regulator-dema-2016/>> (Year: 2016).*

Primary Examiner — Lilyana Bekic
(74) *Attorney, Agent, or Firm* — Themis Law

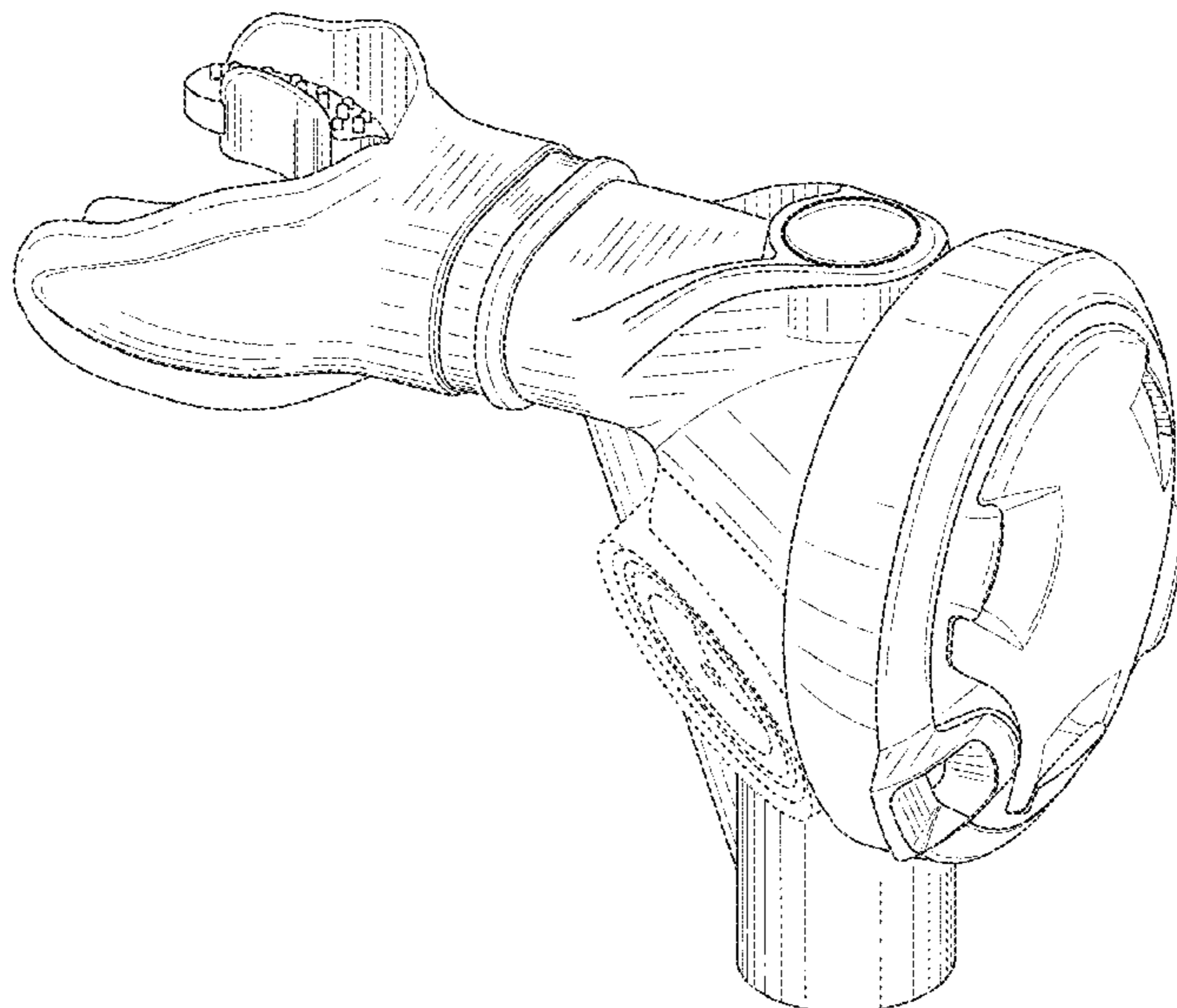
(57) **CLAIM**

The ornamental design for an accessory for diving equipment, as shown and described.

DESCRIPTION

FIG. 1 is a perspective view of an accessory for diving equipment showing our new design; FIG. 2 is a top plan view thereof; FIG. 3 is a bottom plan view thereof; FIG. 4 is a front view thereof; FIG. 5 is a rear view thereof; FIG. 6 is a left side elevational view thereof; and, FIG. 7 is a right side elevational view thereof. The broken lines in the drawings depict portions of the accessory for diving equipment that forms no part of the claimed design.

1 Claim, 7 Drawing Sheets



(56)

References Cited

U.S. PATENT DOCUMENTS

2005/0016539 A1* 1/2005 Pedemonte B63C 11/2227
128/204.26
2005/0022816 A1* 2/2005 Krawczyk B63C 11/2227
128/204.26
2006/0124129 A1* 6/2006 Wharton A61M 15/0045
128/204.26
2013/0133648 A1* 5/2013 Beach A62B 9/06
128/202.27
2017/0253311 A1* 9/2017 Showers B63C 11/186
2018/0265176 A1* 9/2018 Angelini B63C 11/186
2020/0031443 A1* 1/2020 Czernik B63C 11/2227
2020/0064632 A1* 2/2020 Partridge G02B 5/208

* cited by examiner

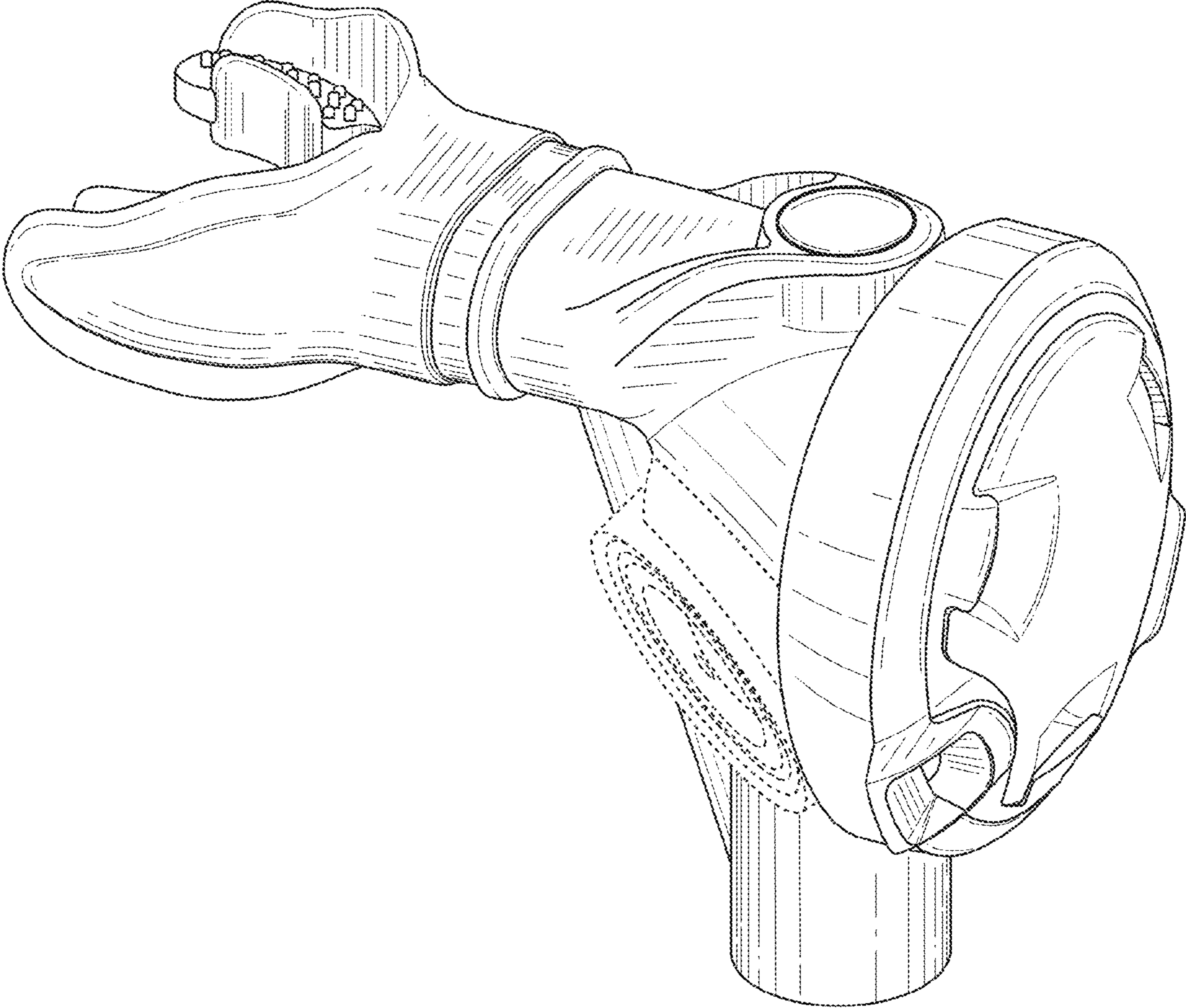


FIG. 1

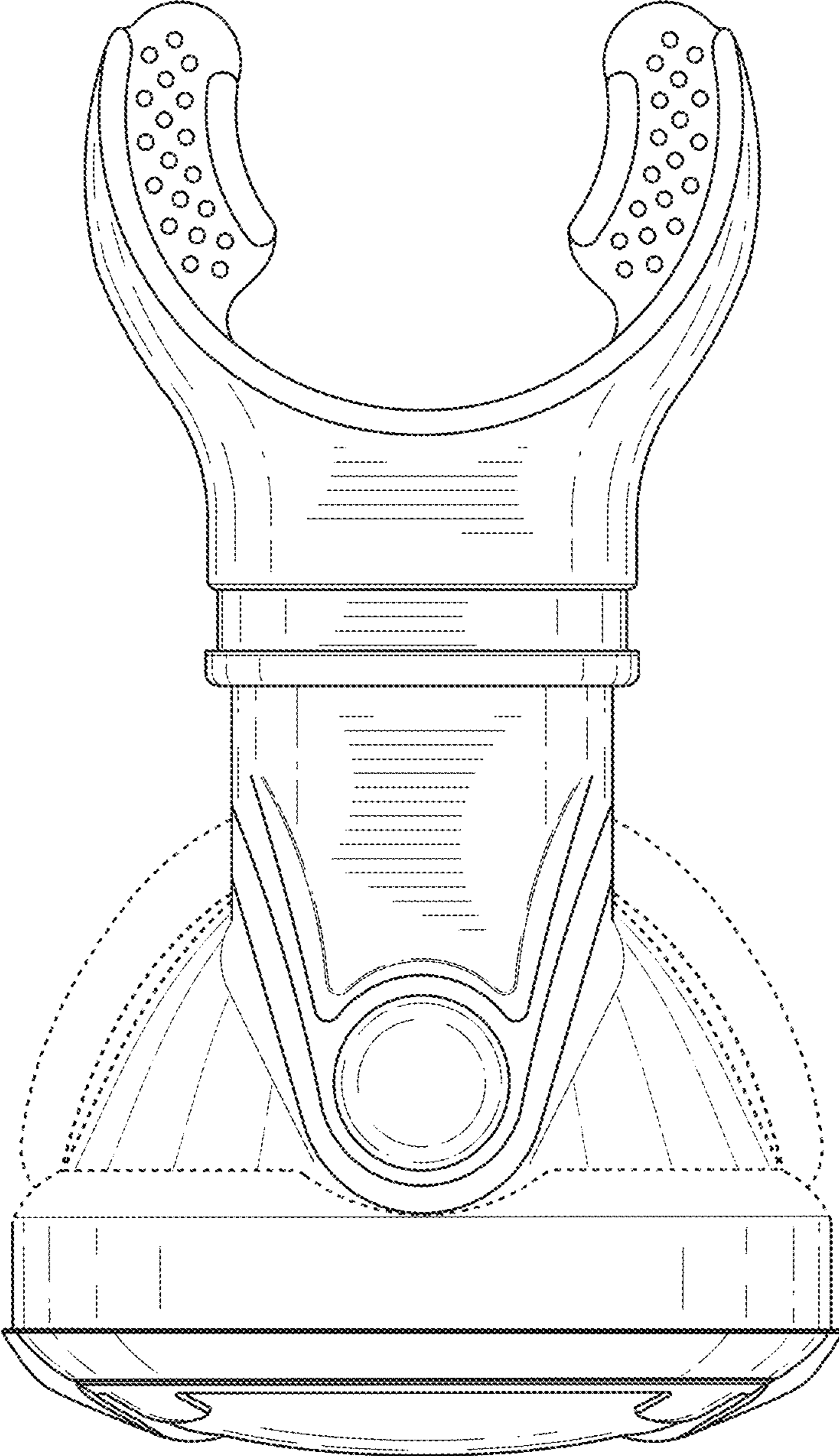


FIG. 2

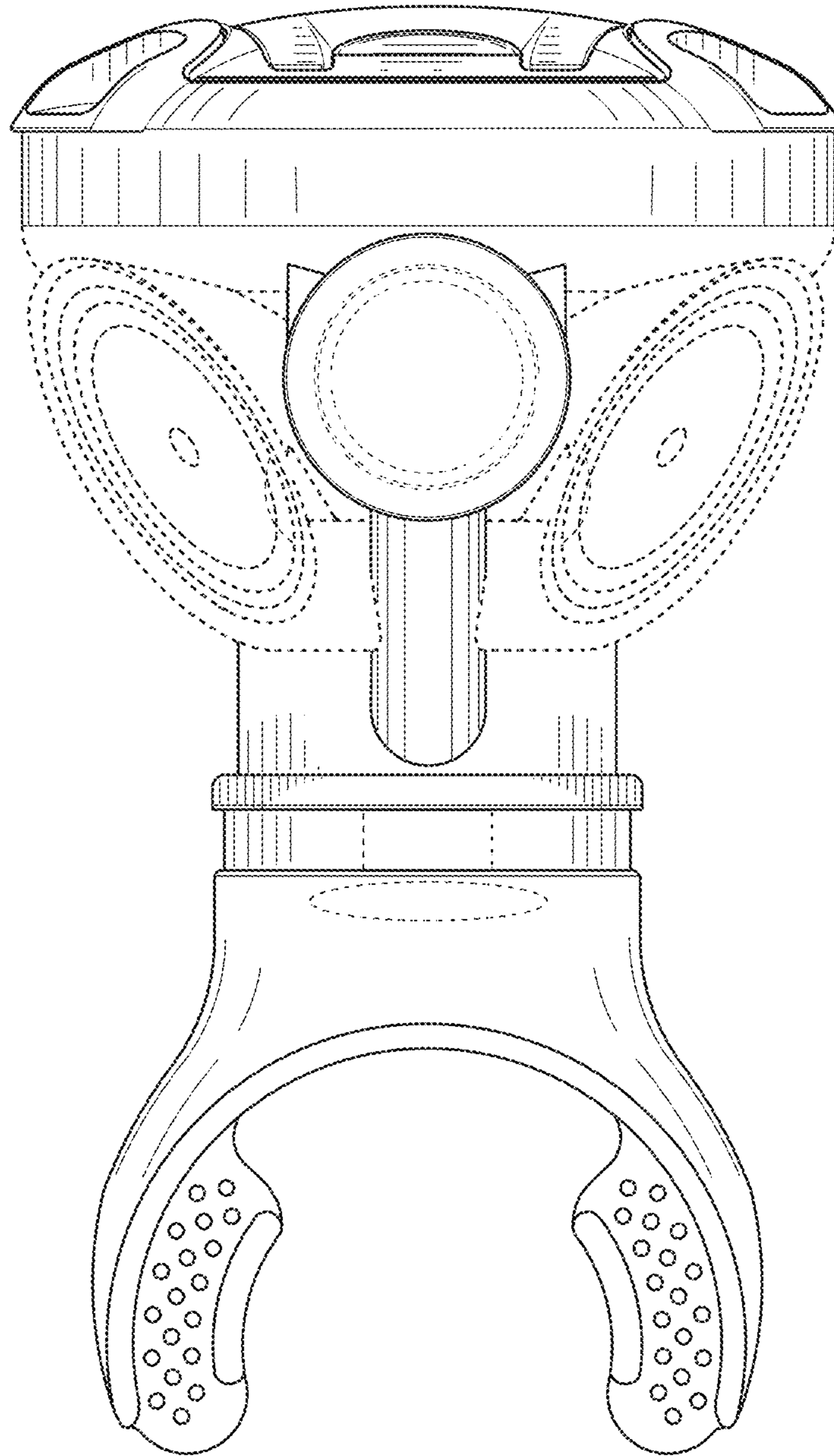


FIG. 3

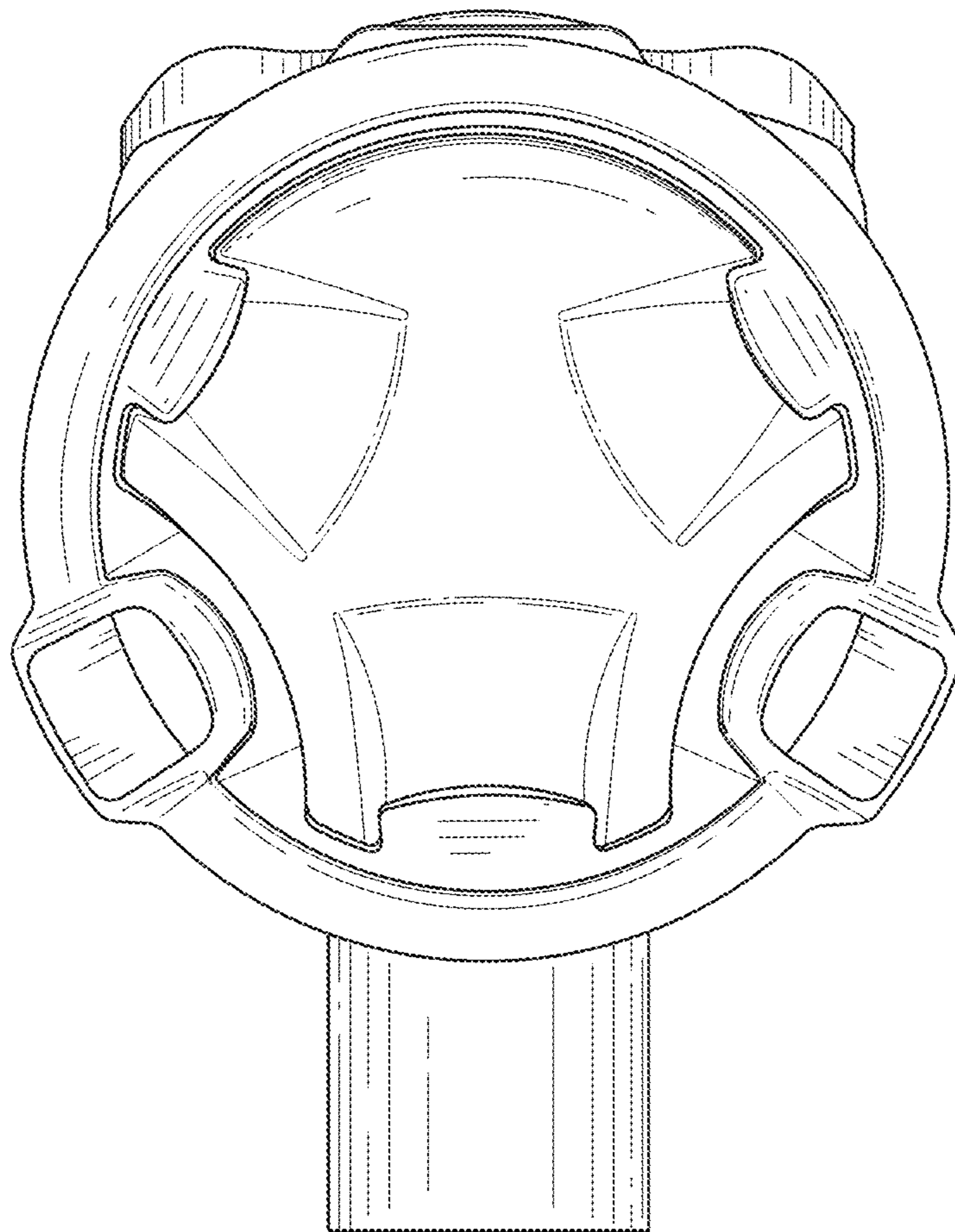


FIG. 4

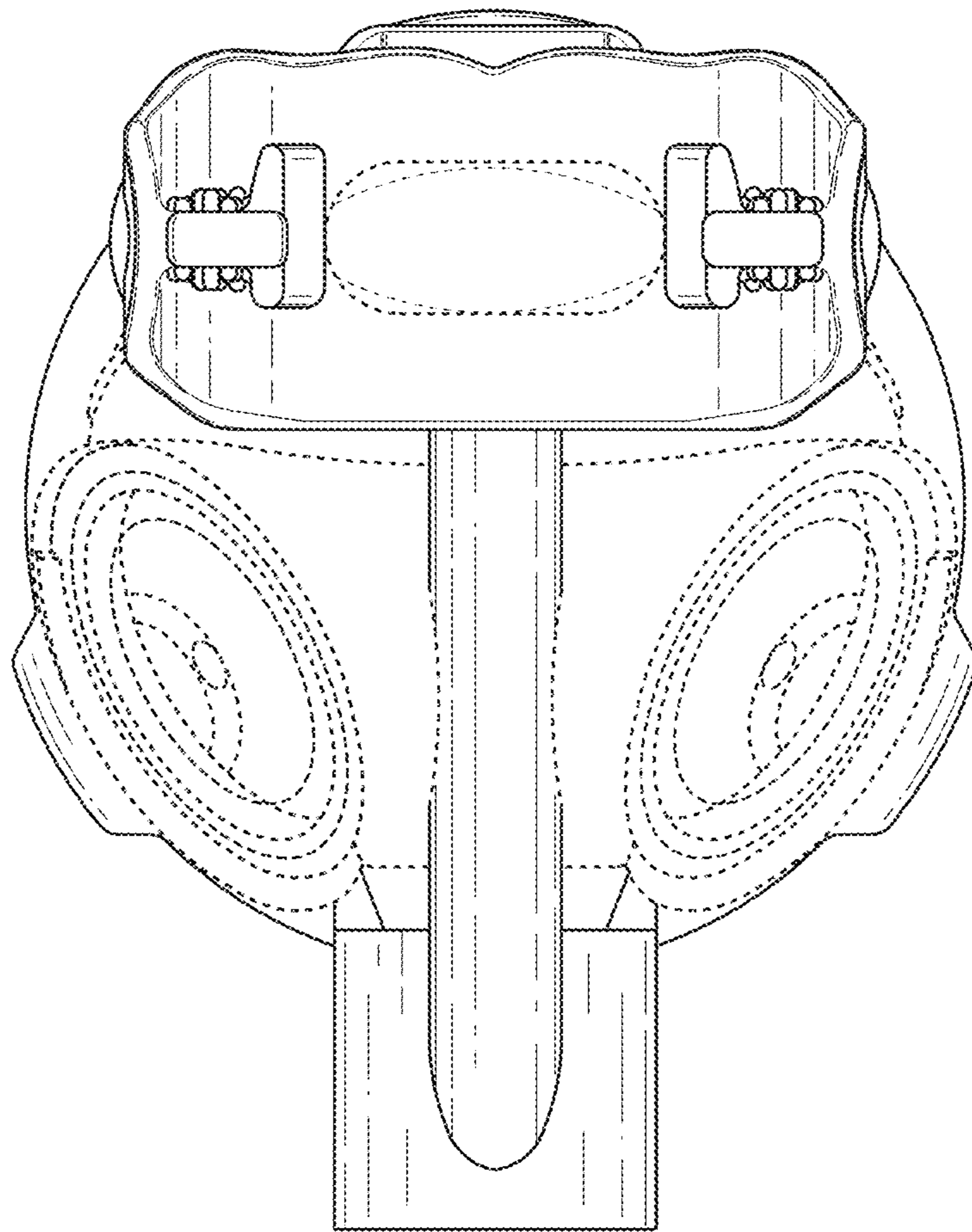


FIG. 5

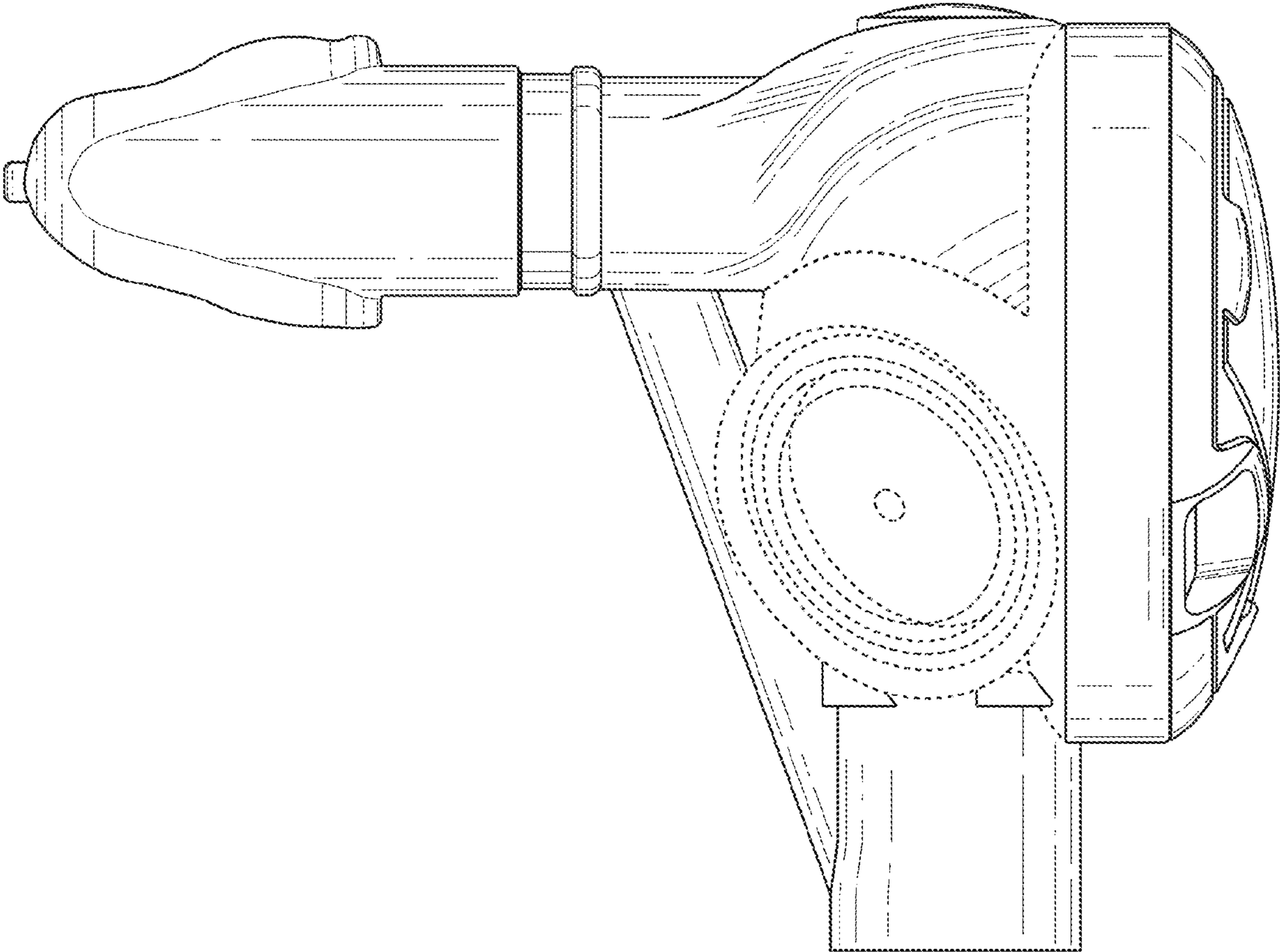


FIG. 6

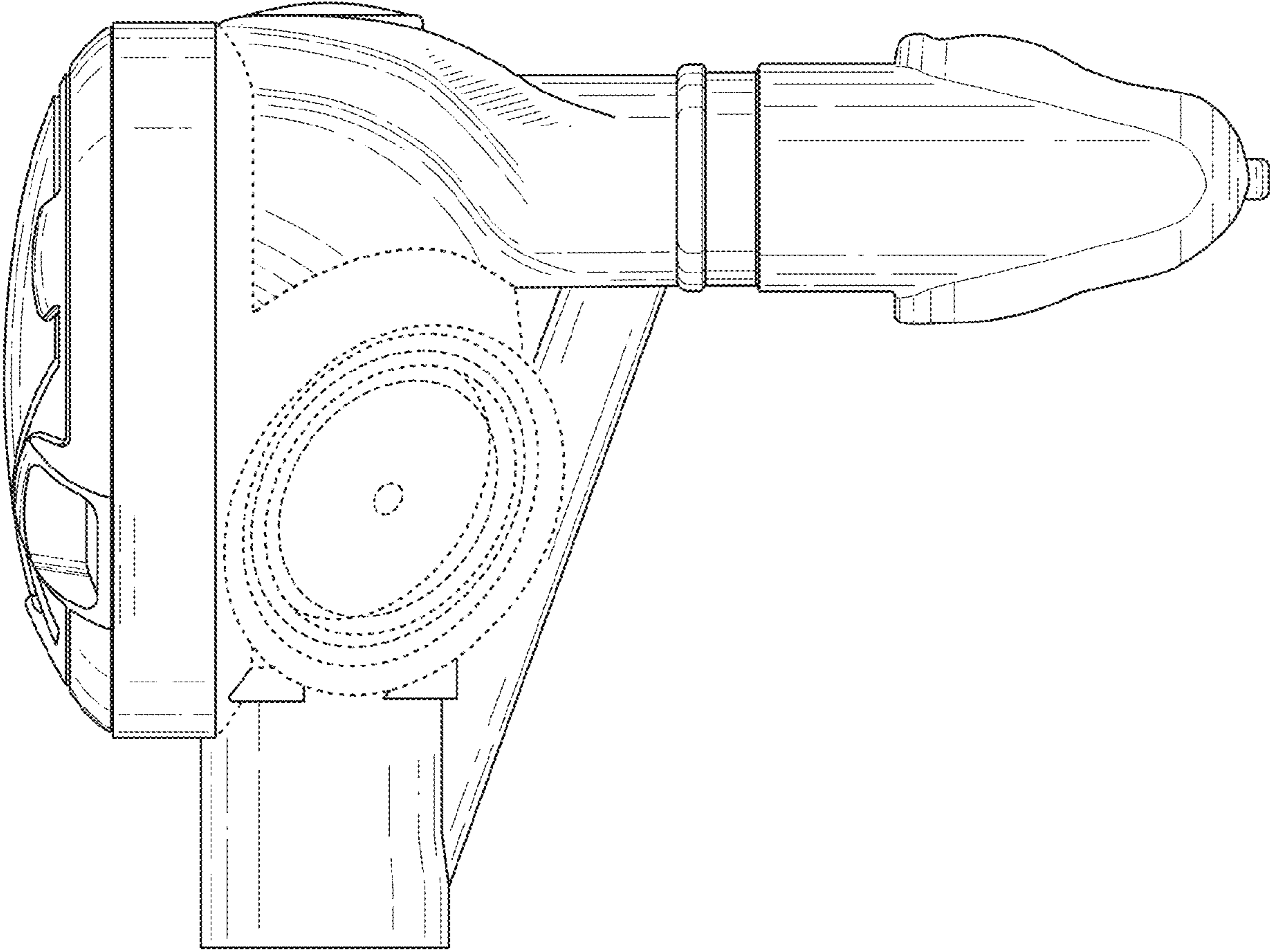


FIG. 7