

US00D890326S

(12) **United States Design Patent**
Pham

(10) **Patent No.:** **US D890,326 S**

(45) **Date of Patent:** **** Jul. 14, 2020**

(54) **FURNACE VENT HUMIDIFIER**

(71) Applicant: **CAD Precision Inc.**, Kitchener (CA)

(72) Inventor: **Thai Duc Pham**, Kitchener (CA)

(73) Assignee: **CAD Precision Inc.**, Kitchener (CA)

(**) Term: **15 Years**

(21) Appl. No.: **29/683,404**

(22) Filed: **Mar. 13, 2019**

(51) **LOC (12) Cl.** **23-03**

(52) **U.S. Cl.**
USPC **D23/393**

(58) **Field of Classification Search**
USPC D23/393, 371, 386, 388, 405, 370, 381,
D23/394; 454/292, 290, 284, 329, 289,
454/325, 331; D26/77

(Continued)

(56) **References Cited**

U.S. PATENT DOCUMENTS

2,995,079 A * 8/1961 La Fontaine F24F 13/12
454/292
D315,790 S * 3/1991 Koessler D23/388

(Continued)

FOREIGN PATENT DOCUMENTS

CN 303903404 * 7/2016
KR 300959396.0000 * 9/2017

OTHER PUBLICATIONS

Decor Grates AJH410-NKL Floor Register, announced Date Mar. 12, 2012[online], [site visited May 4, 2020]. Available from internet, URL:<<https://www.amazon.com/Decor-Grates-AJH410-NKL-Oriental-Register/dp/B007EMTP4O>> (Year: 2012).*

(Continued)

Primary Examiner — Barbara Fox
Assistant Examiner — Jamaal Rasheed

(74) *Attorney, Agent, or Firm* — Brunet & Co. Ltd.;
Robert Brunet; Hans Koenig

(57) **CLAIM**

I claim the ornamental design for a furnace vent humidifier, as shown and described.

DESCRIPTION

FIG. 1 is a perspective view of the furnace vent humidifier; FIG. 2 is an alternative perspective view of the furnace vent humidifier of FIG. 1;

FIG. 3 is a side view of the furnace vent humidifier of FIG. 1;

FIG. 4 is an opposite side view of the furnace vent humidifier of FIG. 1;

FIG. 5 is an end view of the furnace vent humidifier of FIG. 1;

FIG. 6 is an opposite view of the furnace vent humidifier of FIG. 1;

FIG. 7 is a top view of the furnace vent humidifier of FIG. 1;

FIG. 8 is a bottom view of the furnace vent humidifier of FIG. 1;

FIG. 9 is an exploded view of the furnace vent humidifier of FIG. 1;

FIG. 10 is a perspective view of the cover of the furnace vent humidifier of FIG. 1, shown separately to show aspects of the design that are not visible when combined;

FIG. 11 is an alternative perspective view of the cover of FIG. 10.

FIG. 12 is a side view of the cover of FIG. 10;

FIG. 13 is an opposite view of the cover of FIG. 10;

FIG. 14 is an end view of the cover of FIG. 10;

FIG. 15 is an opposite end view of the cover of FIG. 10;

FIG. 16 is top view of the cover of FIG. 10;

FIG. 17 is a bottom view of the cover of FIG. 10;

FIG. 18 is a perspective view of the basin of the furnace vent humidifier of FIG. 1, shown separately to show aspects of the design that are not visible when combined;

FIG. 19 is an alternative perspective view of the basin of FIG. 18;

FIG. 20 is a side view of the basin of FIG. 18;

FIG. 21 is an opposite side view of the basin of FIG. 18;

(Continued)

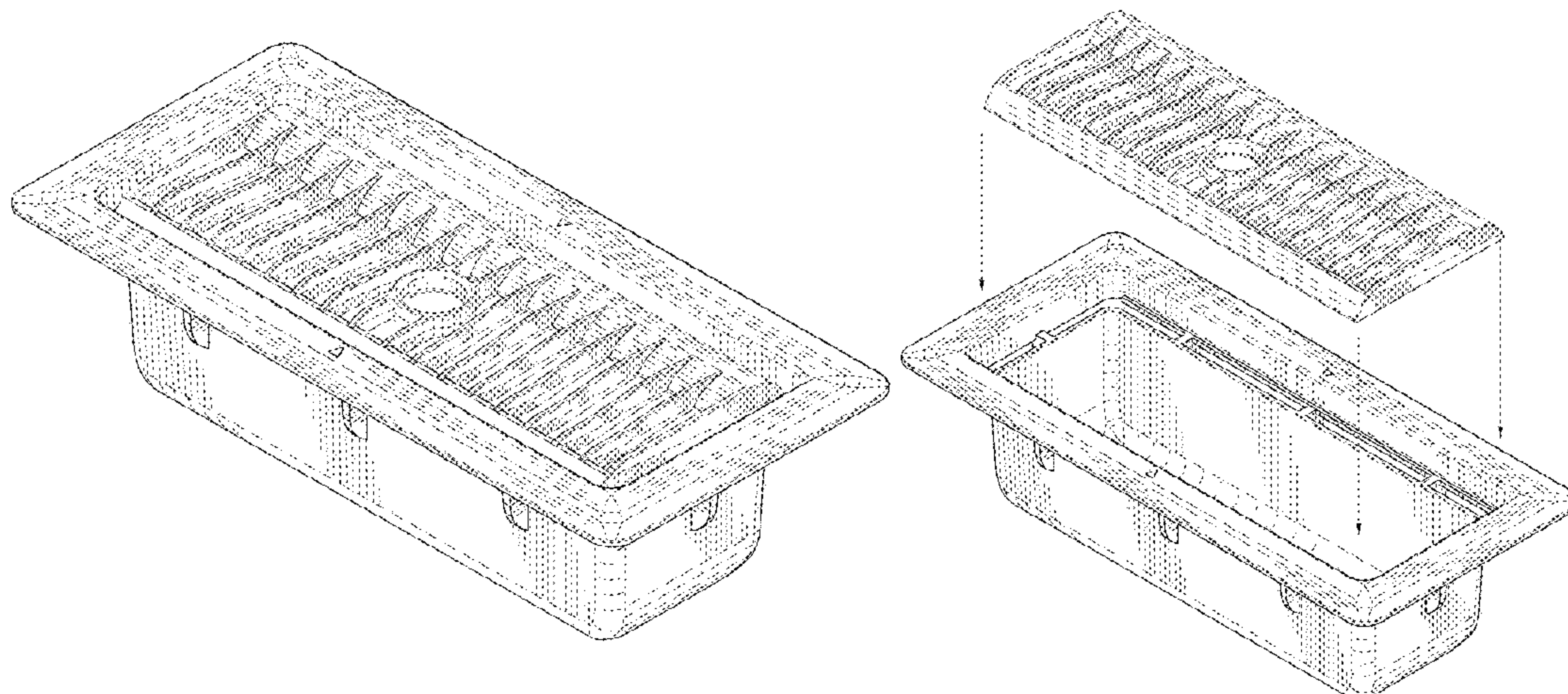


FIG. 22 is an end view of the basin of FIG. 18;
 FIG. 23 is an opposite end view of the basin of FIG. 18;
 FIG. 24 is a top view of the basin of FIG. 18; and,
 FIG. 25 is a bottom view of the basin of FIG. 18.
 The shaded lines in the Figures show contour and not surface
 ornamentation.

1 Claim, 20 Drawing Sheets

(58) **Field of Classification Search**

CPC F24F 7/00; F24F 13/08; F24F 13/10; F24F
 13/12; F24F 13/14; F24F 13/06; F24F
 13/00; F24F 13/28; B01D 46/24; A61L
 9/16; A47L 5/38

See application file for complete search history.

(56)

References Cited

U.S. PATENT DOCUMENTS

5,232,403	A *	8/1993	Marotta	F24F 13/081 454/289
D353,193	S *	12/1994	Porter	D23/393
D358,205	S *	5/1995	Ruhland	D23/393
5,597,392	A *	1/1997	Hawkins	F24F 13/28 96/222
D413,665	S *	9/1999	Hudson	D23/370
5,984,776	A *	11/1999	Berger	F24F 13/085 454/290

D449,880	S *	10/2001	Webb	D23/393
D451,187	S *	11/2001	Webb	D23/393
6,503,140	B1 *	1/2003	Haynes	F24F 13/075 454/290
7,328,478	B2 *	2/2008	Jenkins	A47L 5/38 15/301
D595,832	S *	7/2009	Asselbergs	D23/388
D618,783	S *	6/2010	Kimura	D23/388
D629,883	S *	12/2010	Kimura	D23/388
8,419,515	B1 *	4/2013	Dillon	F24F 13/084 454/284
D736,366	S *	8/2015	Picco	D23/386
D770,606	S *	11/2016	Hrydovyy	D23/398
D807,495	S *	1/2018	Hirsch	D23/393
D850,610	S *	6/2019	Drummond	D23/393
D875,233	S *	2/2020	Sykes	D23/371
D875,915	S *	2/2020	Hirsch	D23/393
D875,916	S *	2/2020	Hirsch	D23/393
2006/0240764	A1 *	10/2006	Pierce	F24F 3/166 454/329

OTHER PUBLICATIONS

In vent Humidifier, announced Date unavailable[online], [site visited May 4, 2020]. Available from internet, URL:<http://www.cadprecision.ca/cadprecision.ca/IN-vent_Humidifier.html> (Year: 2020).*

In Vent Humidifier, announced Date Oct. 4, 2019[online], [site visited May 4, 2020]. Available from internet, URL:<<https://www.youtube.com/watch?v=5rLq-zLjzQs>> (Year: 2019).*

* cited by examiner

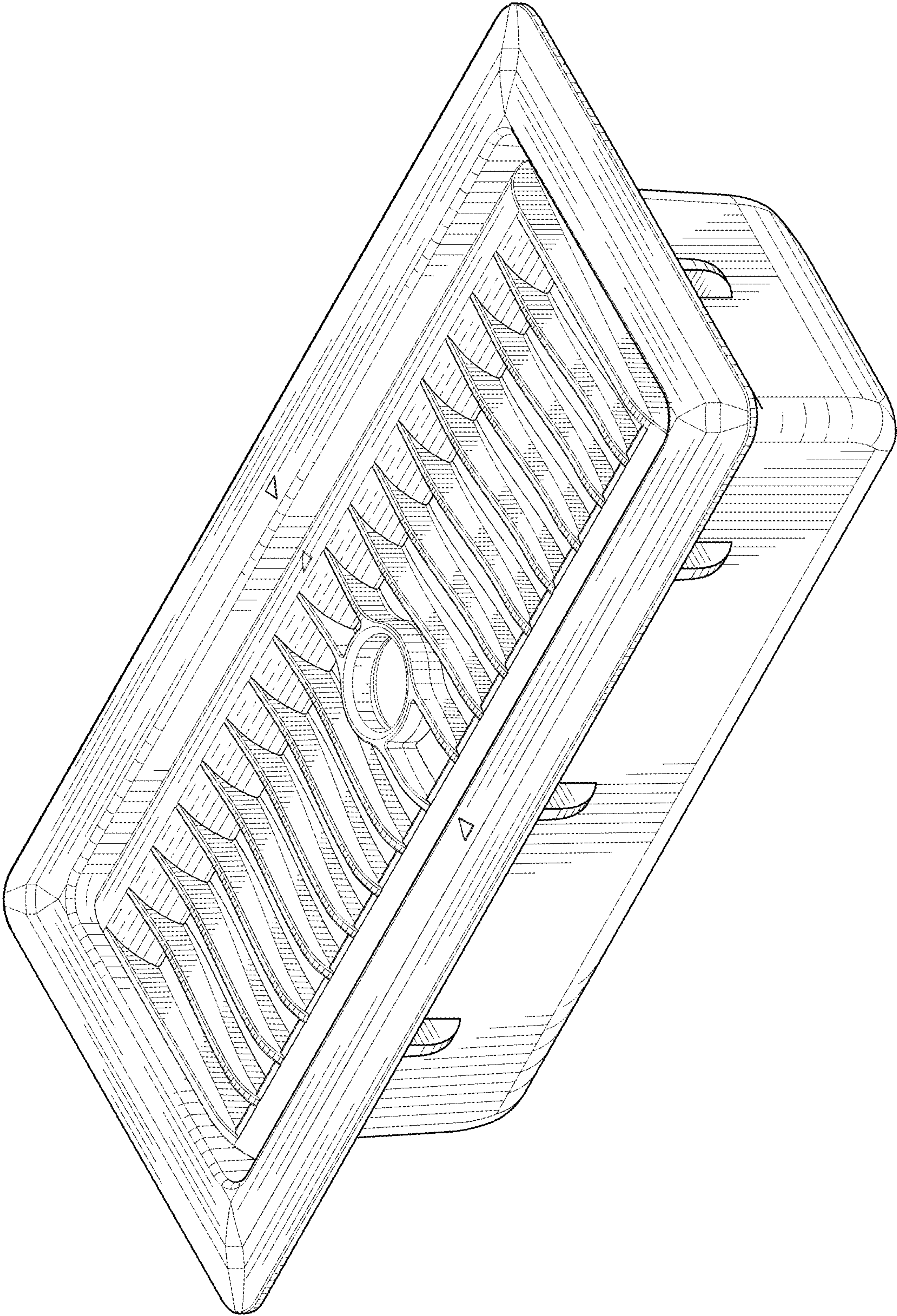


FIG.1

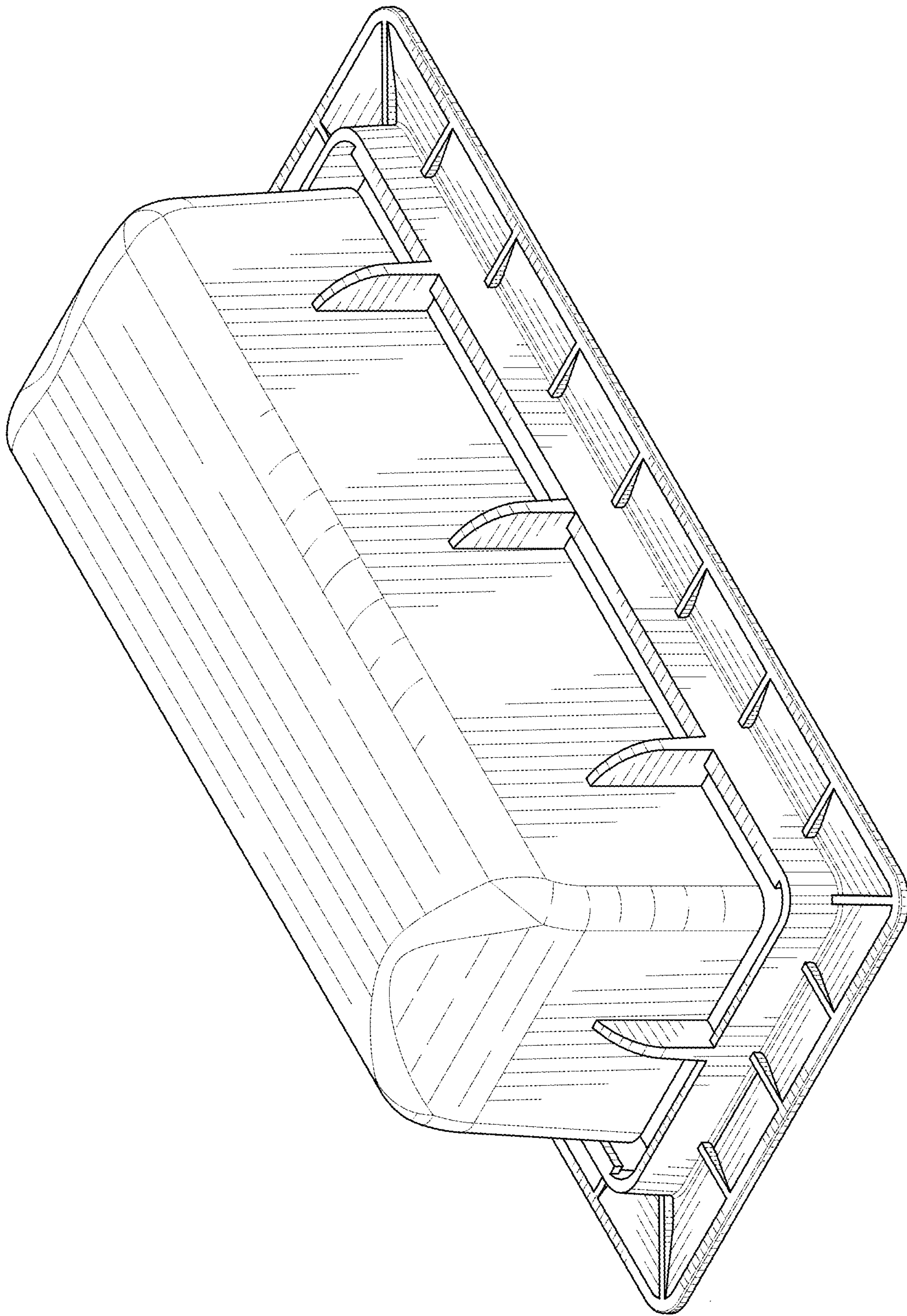


FIG.2

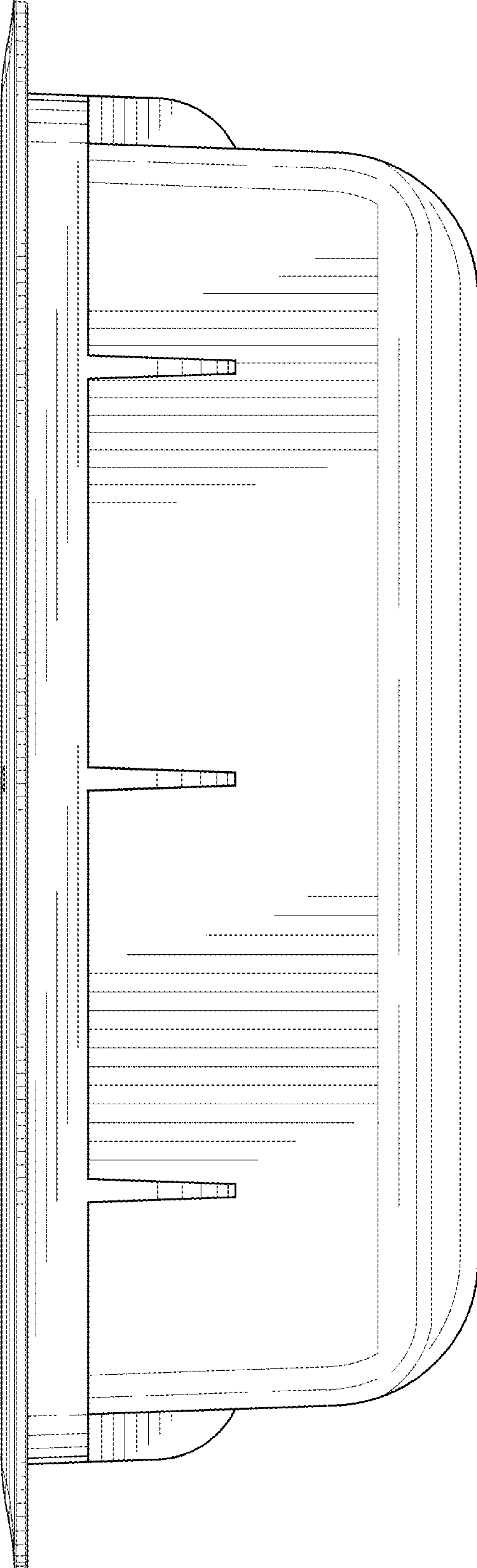


FIG.3

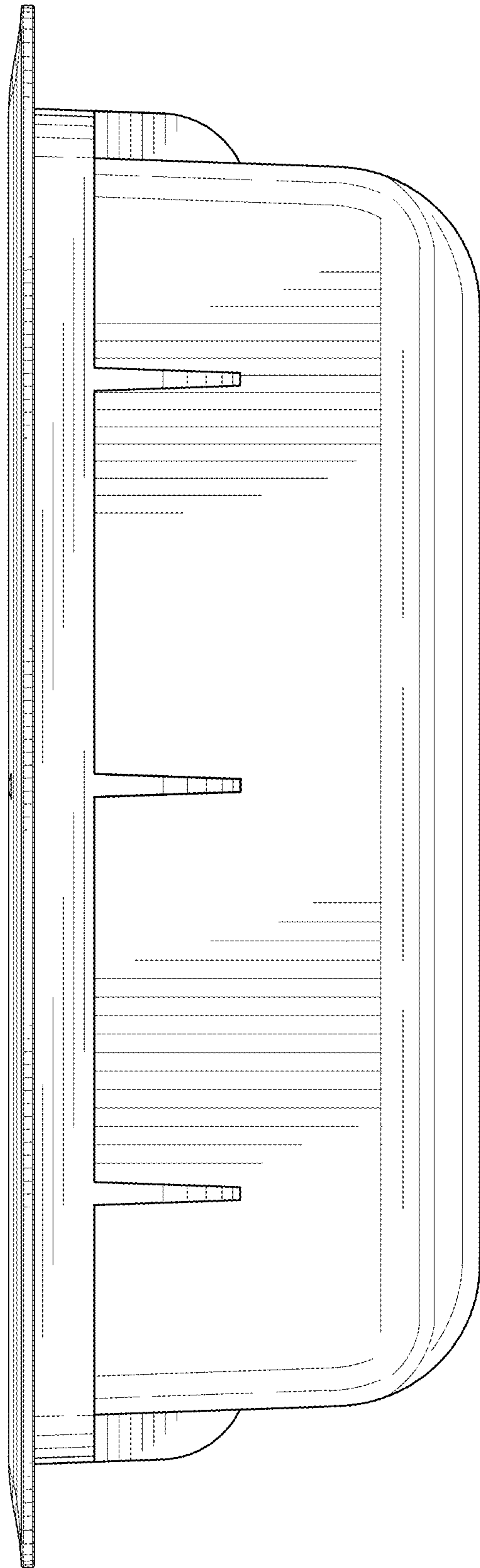


FIG.4

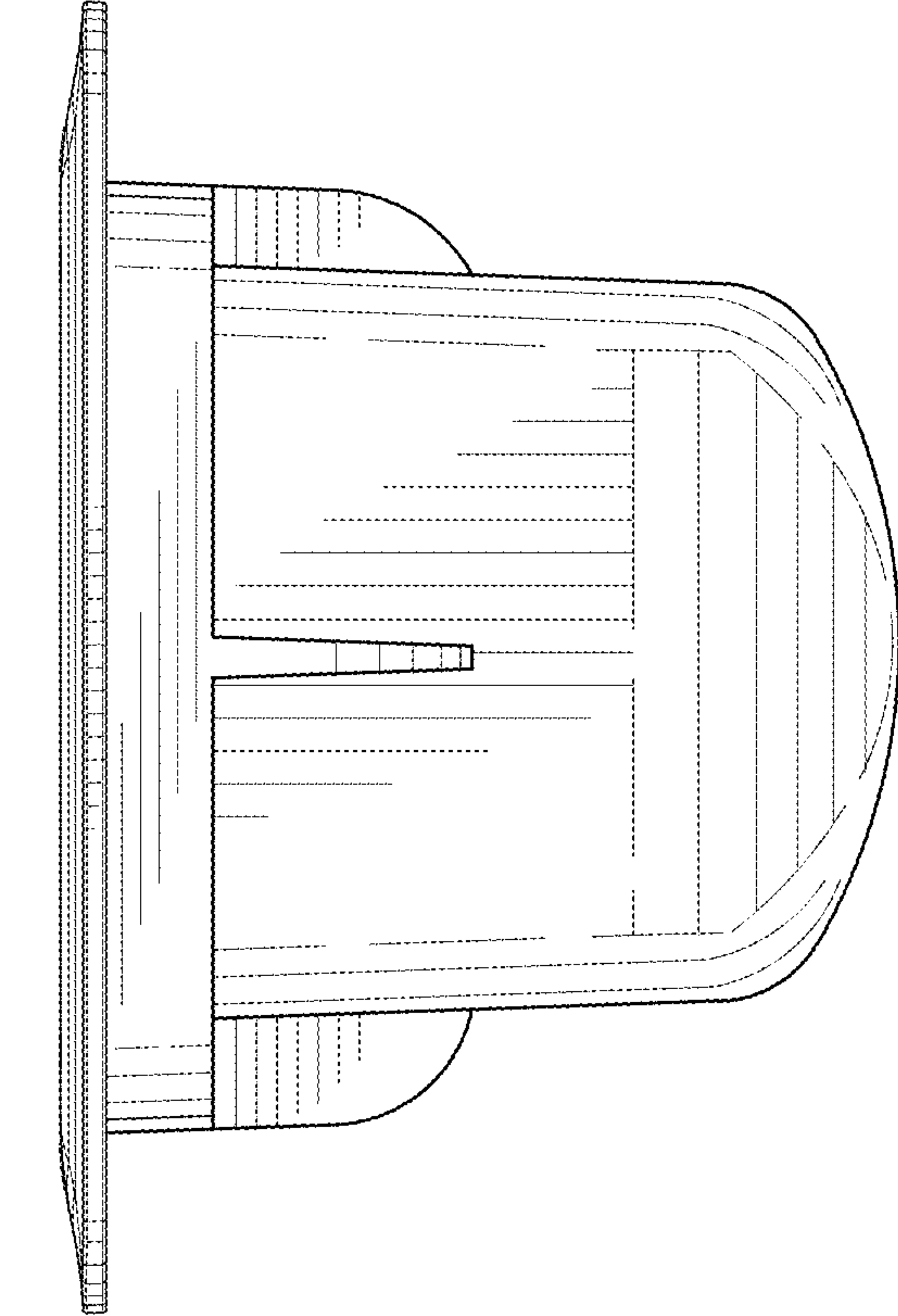


FIG.5

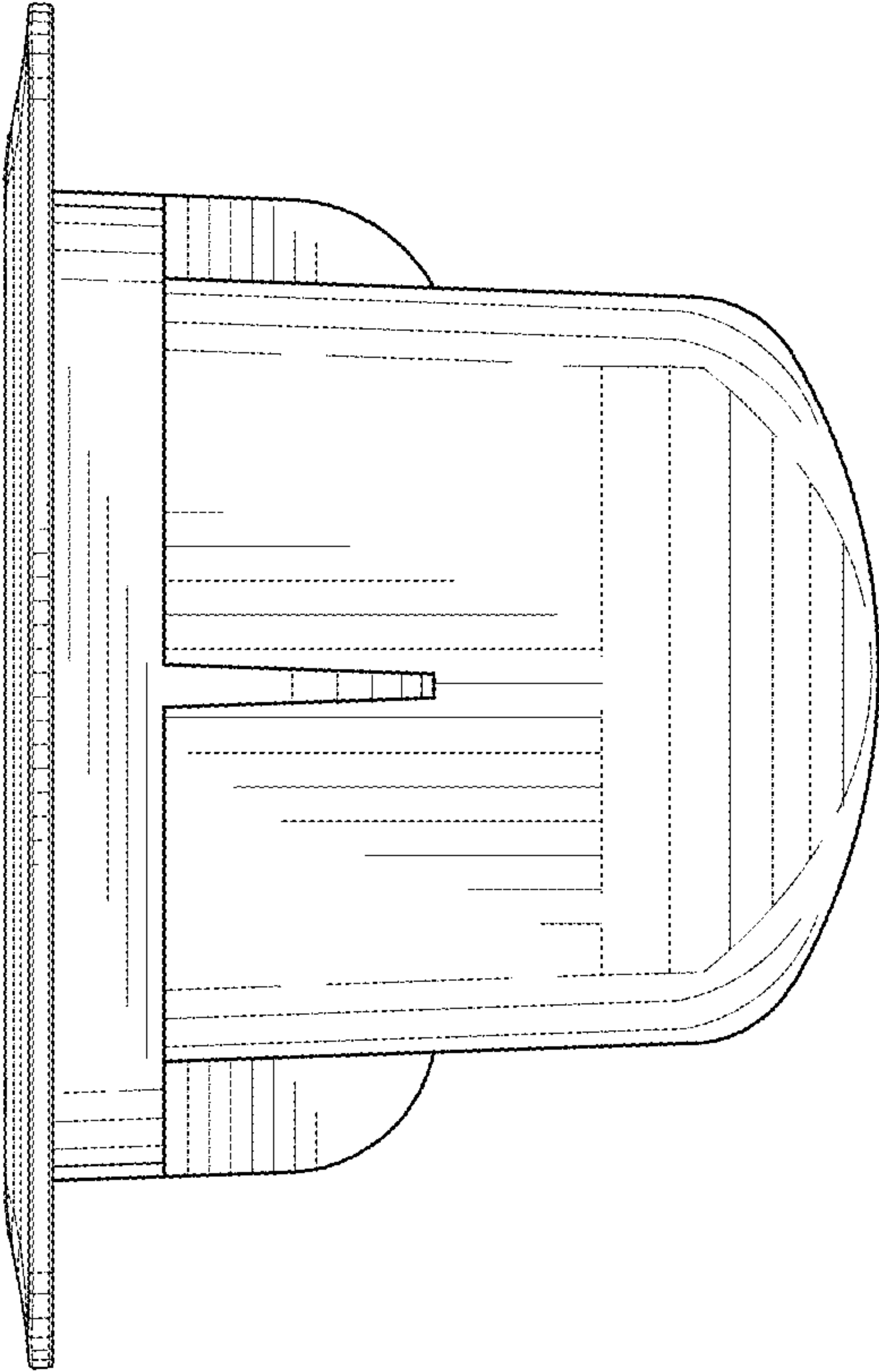


FIG.6

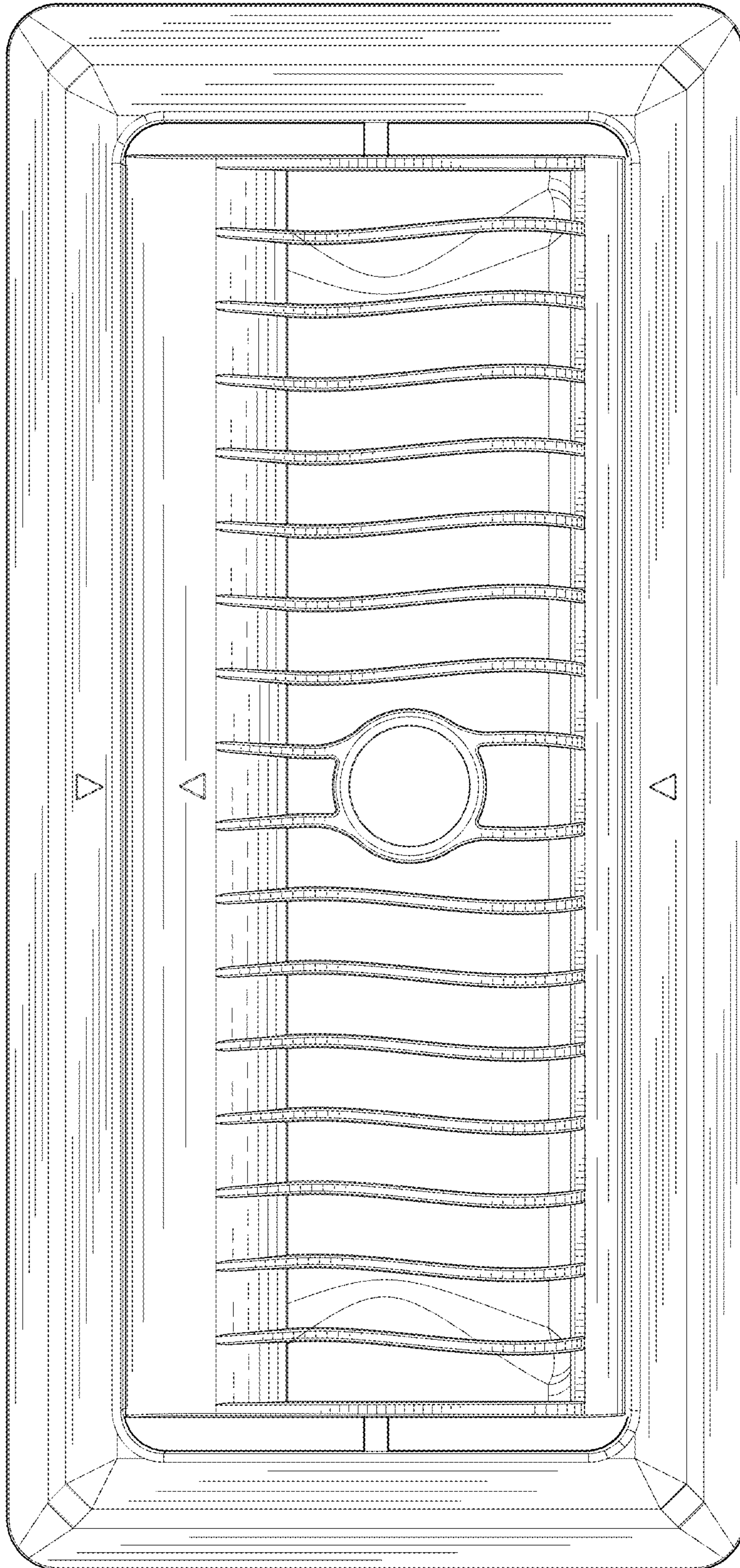


FIG.7

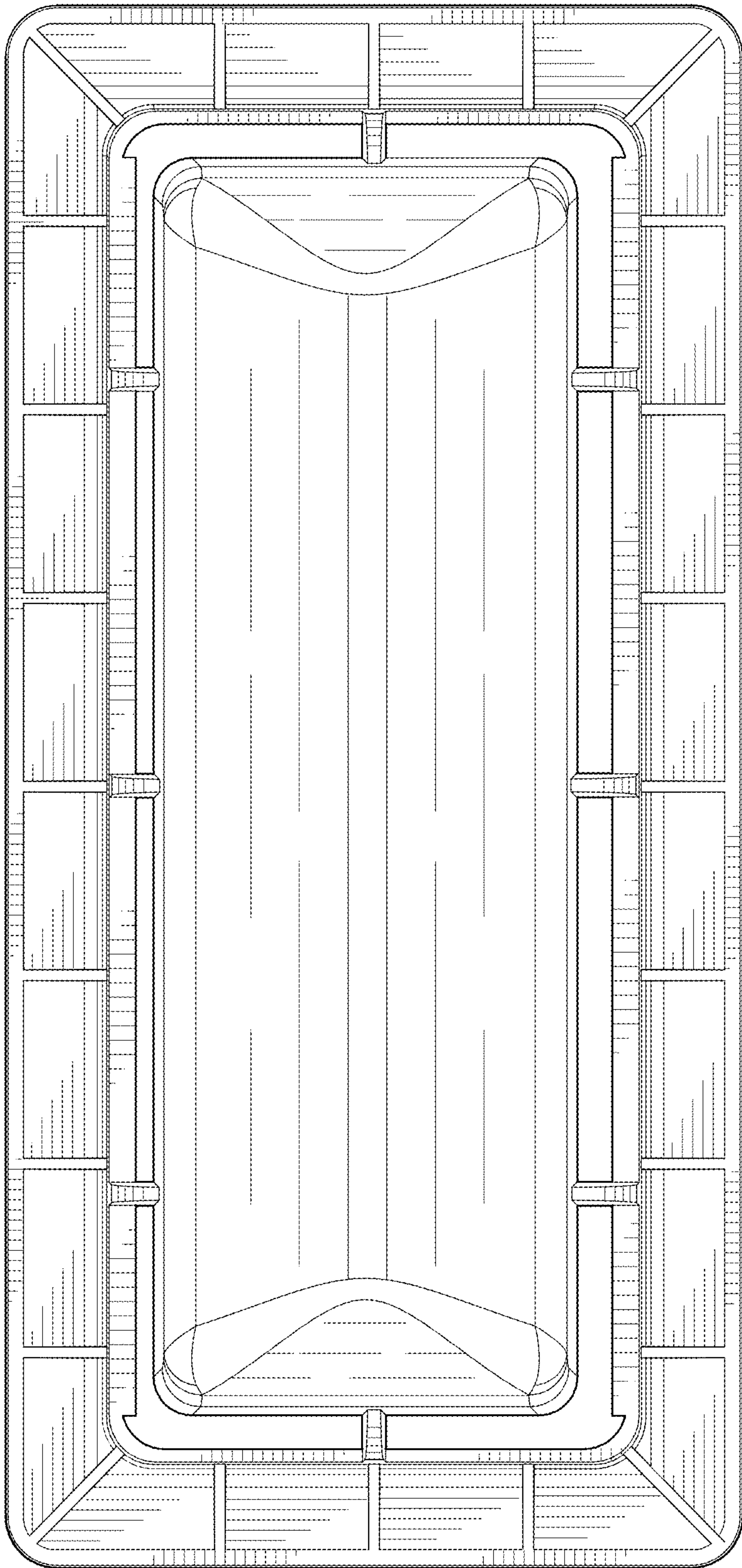


FIG.8

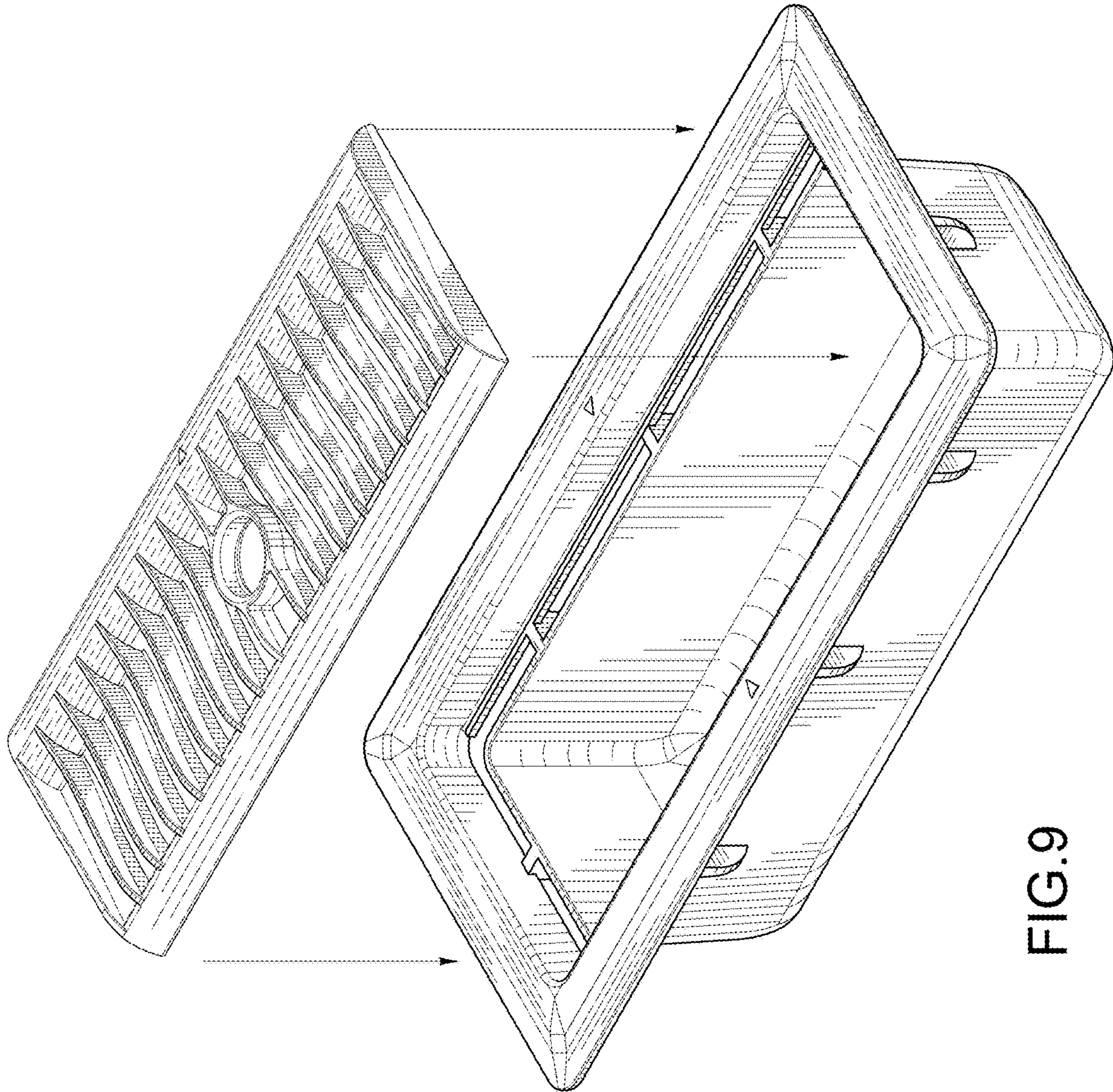


FIG.9

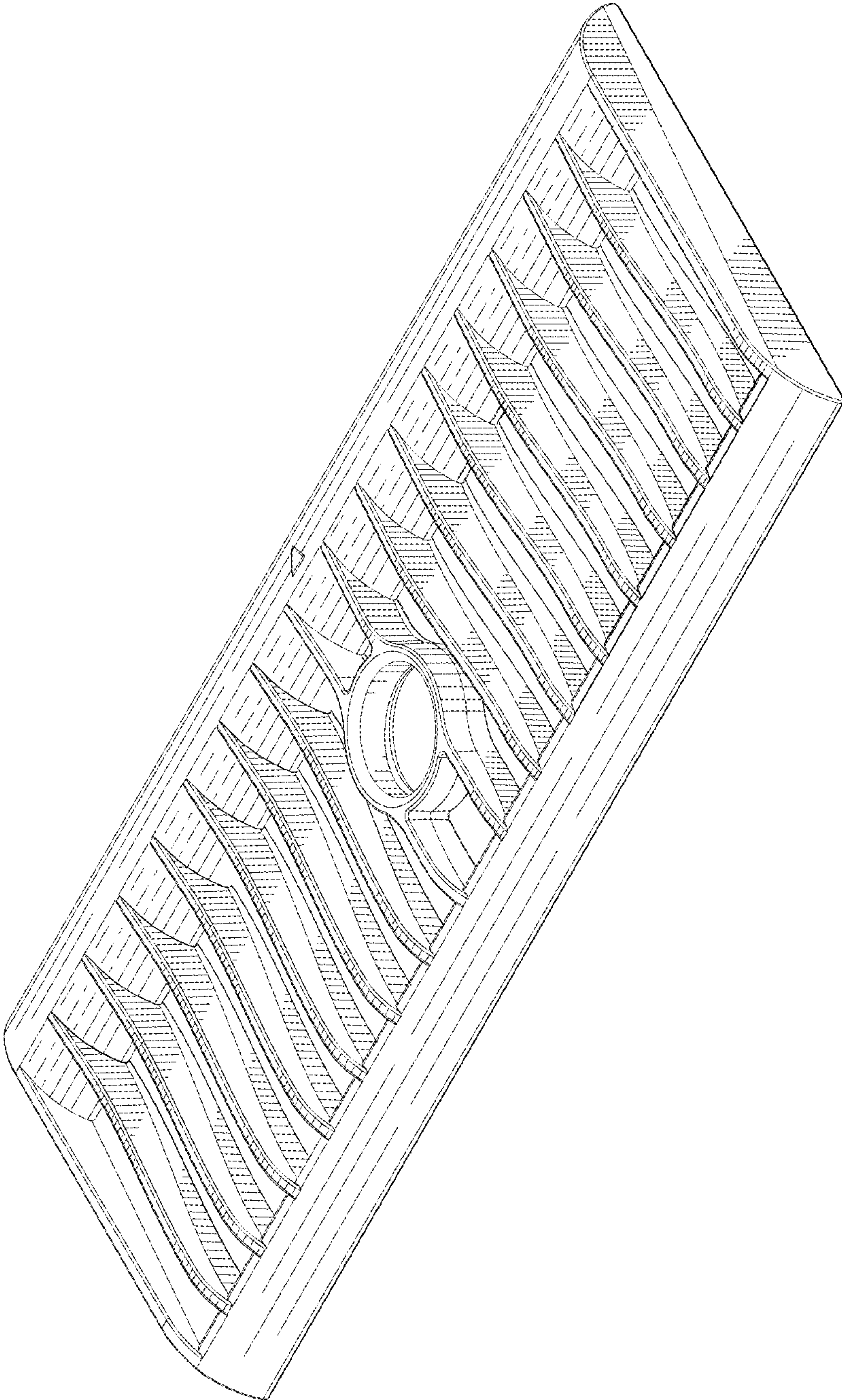


FIG. 10

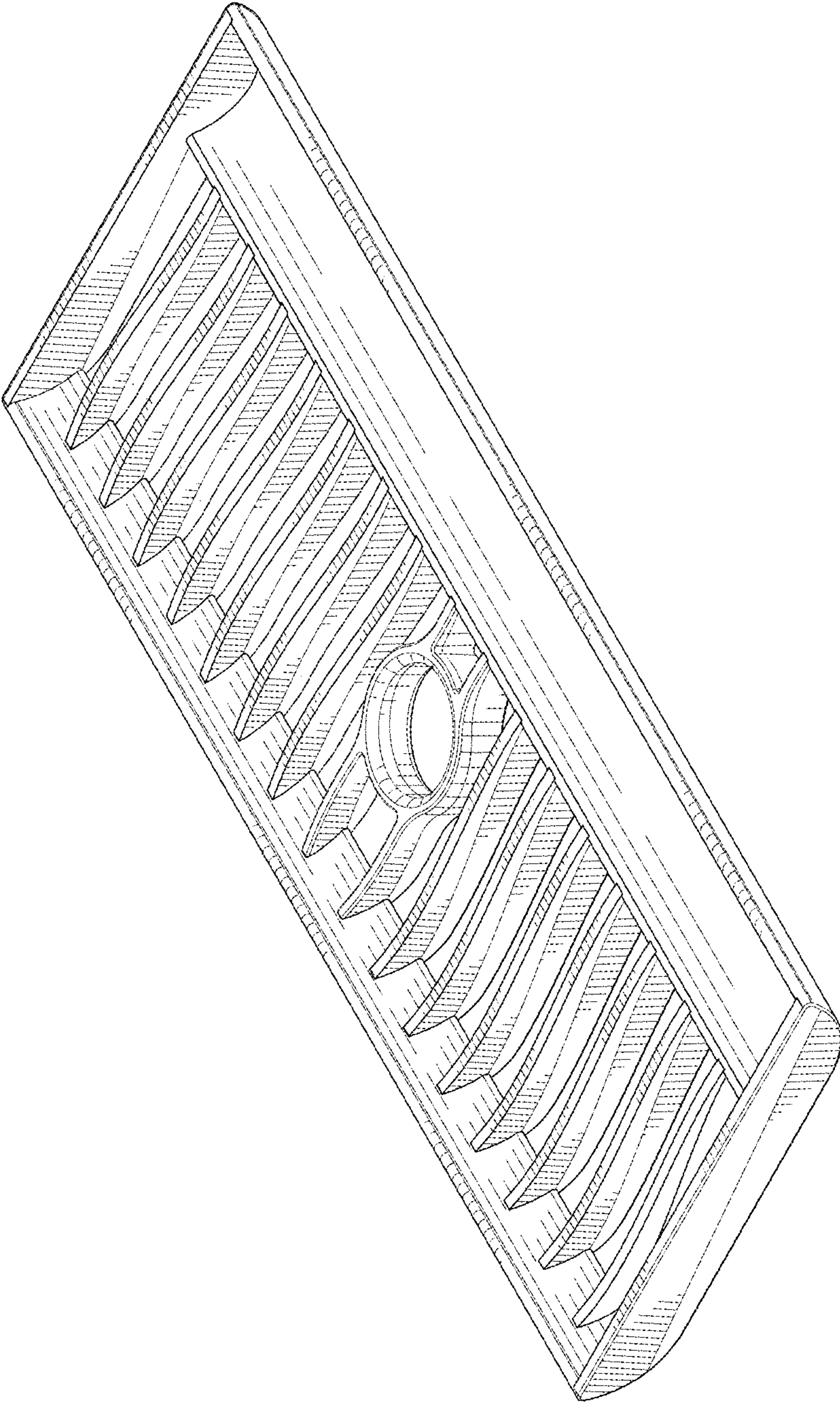


FIG. 11

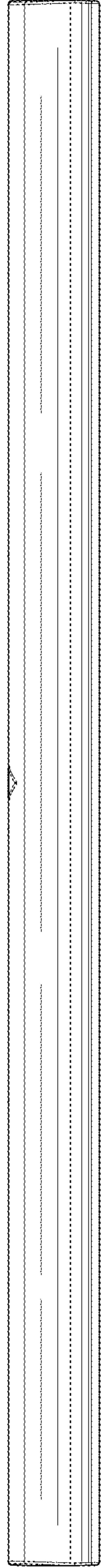


FIG. 12

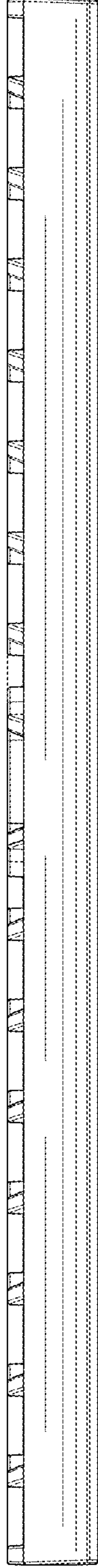


FIG. 13

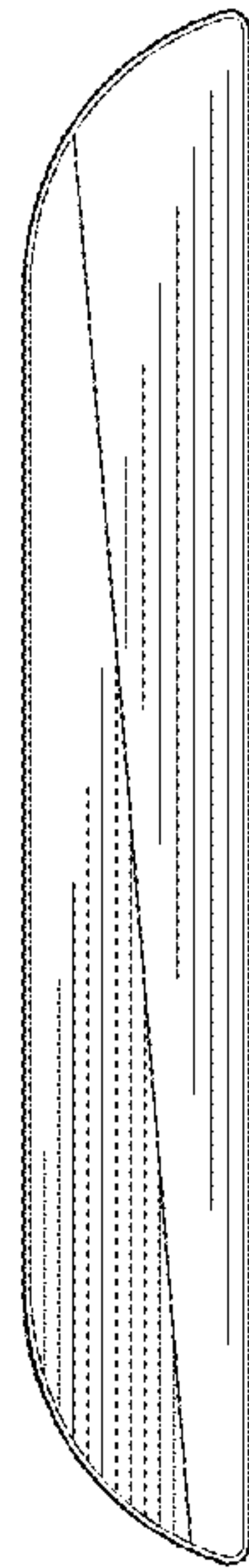


FIG. 14

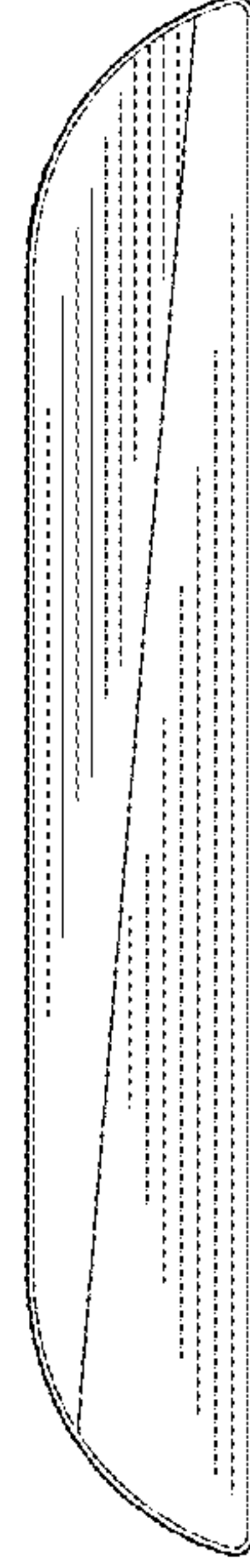


FIG. 15

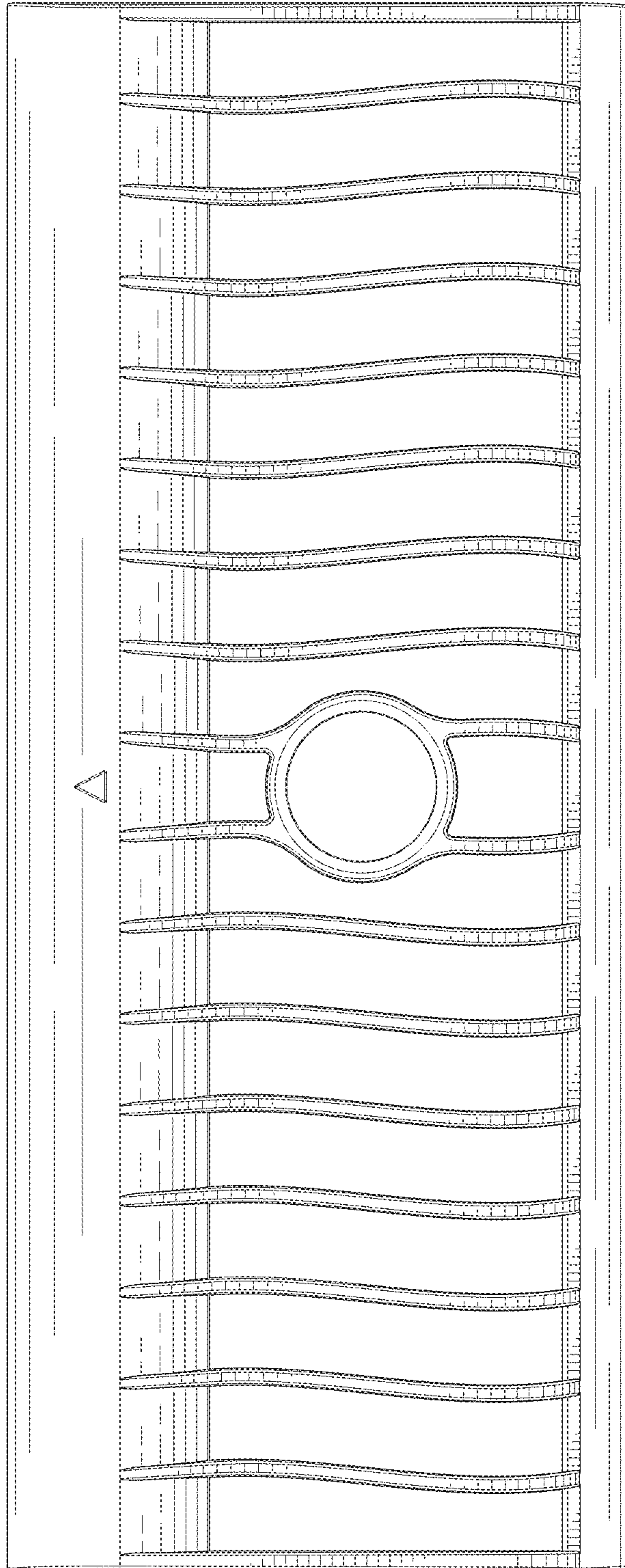


FIG. 16

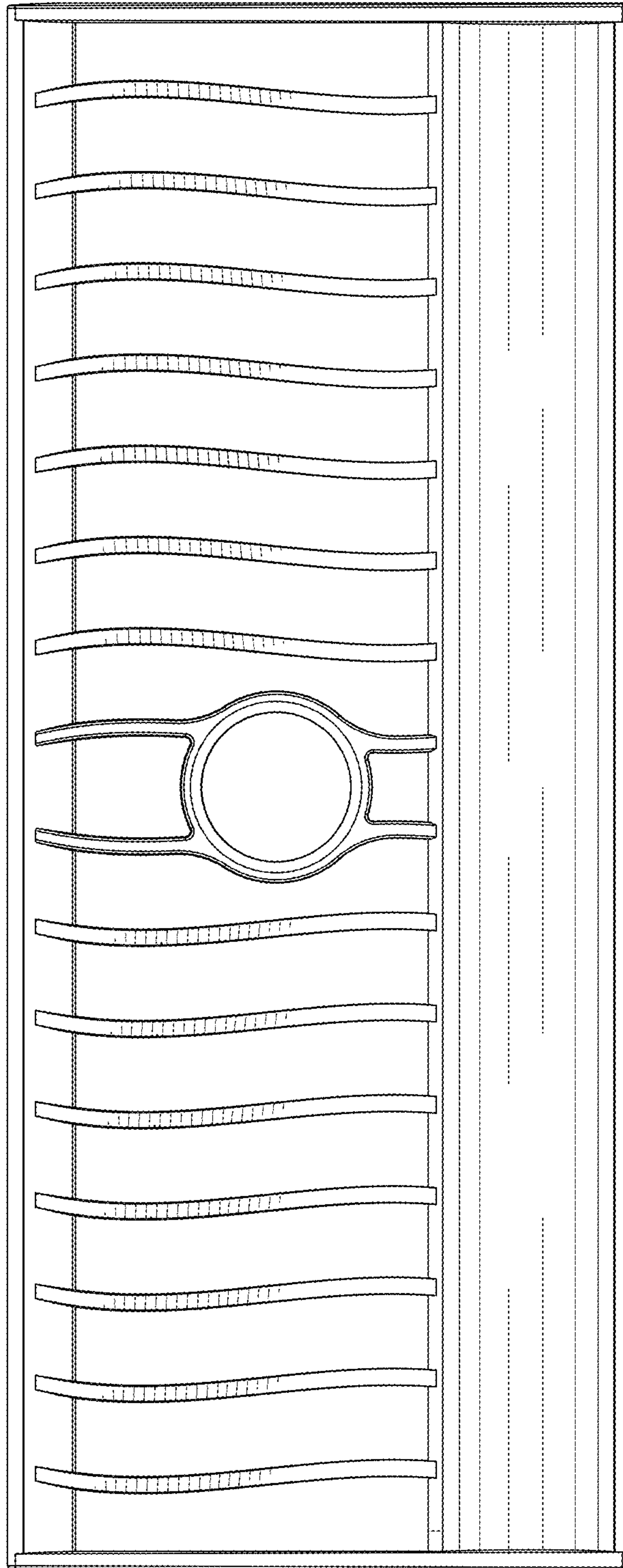


FIG. 17

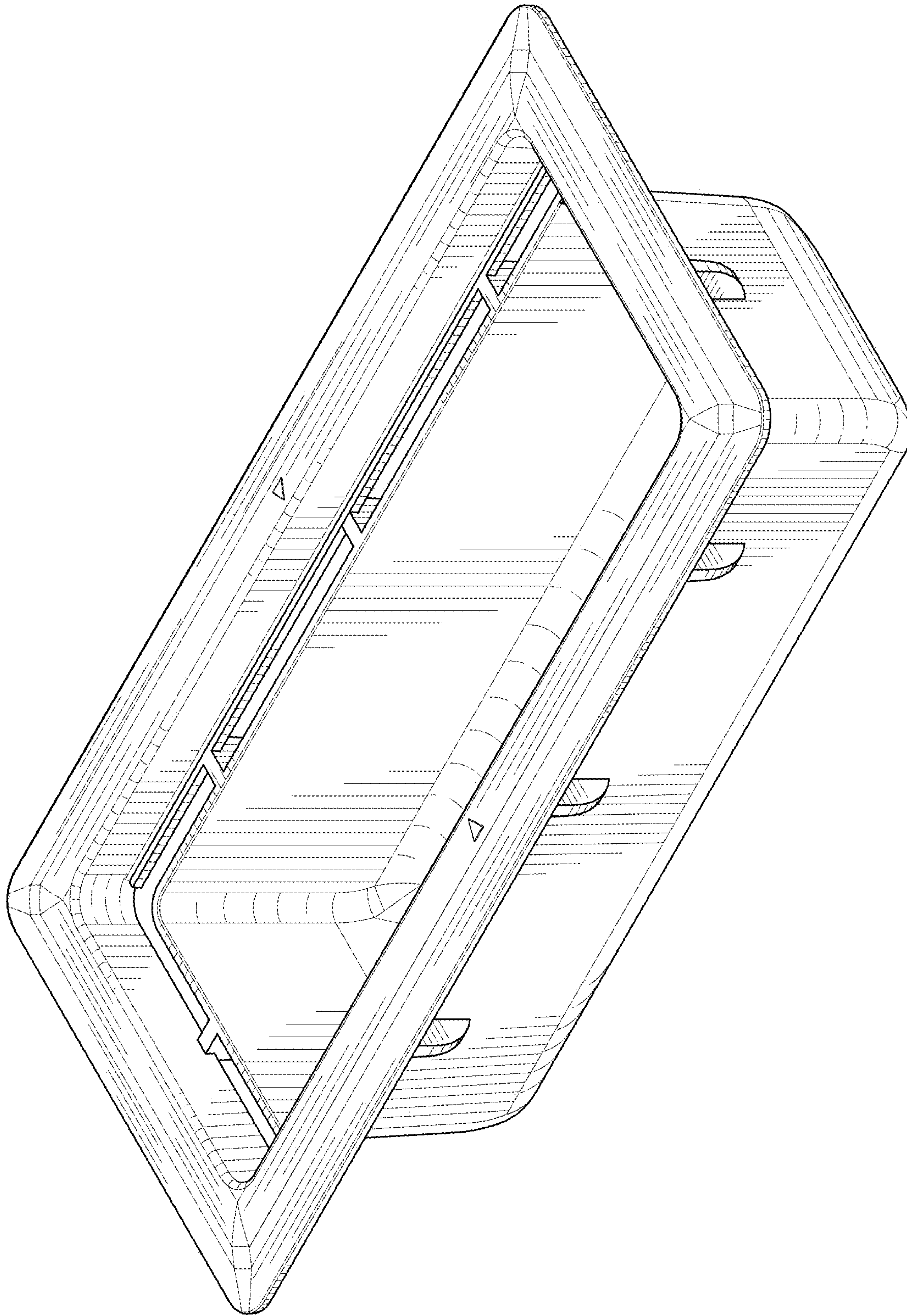


FIG. 18

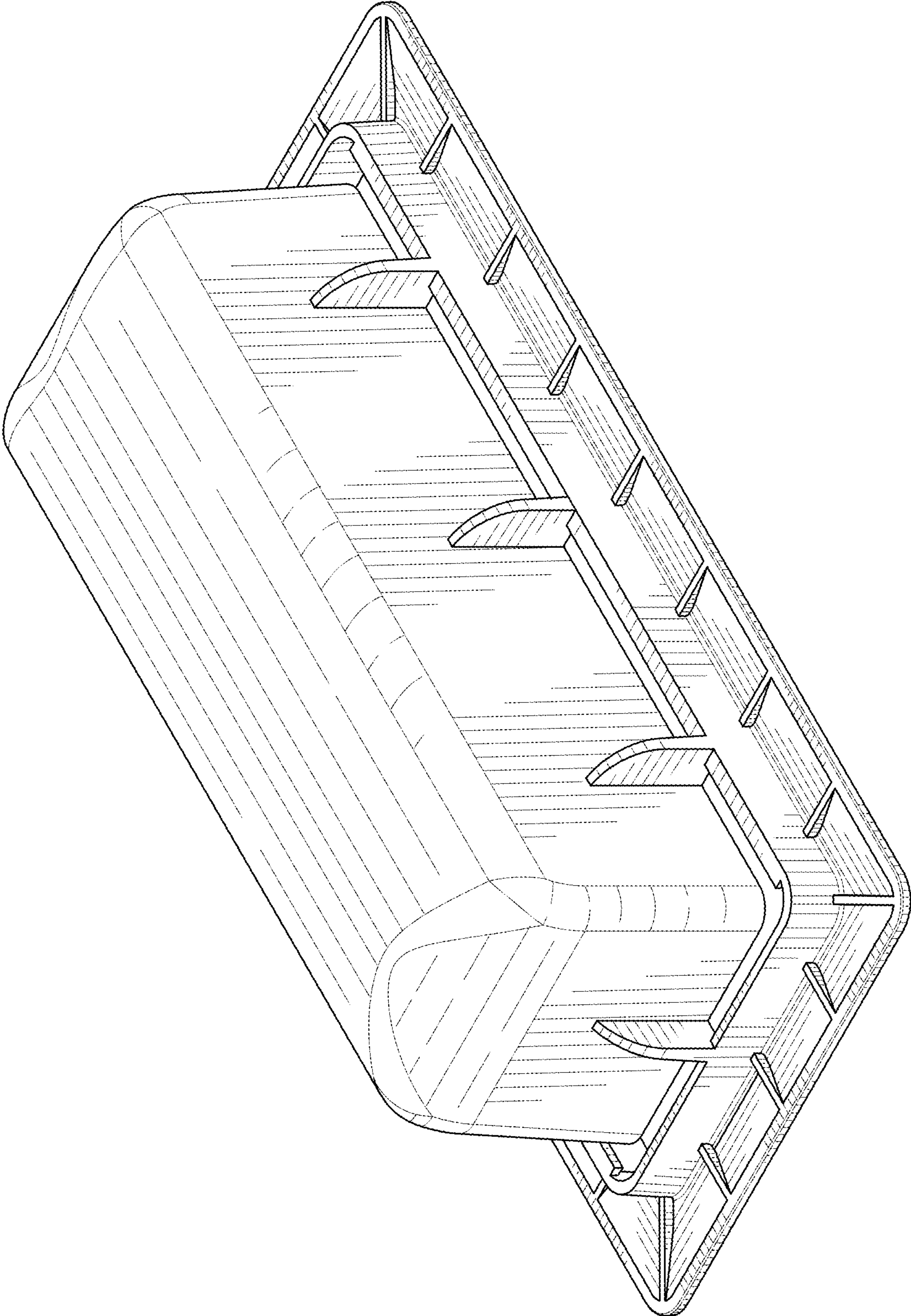


FIG. 19

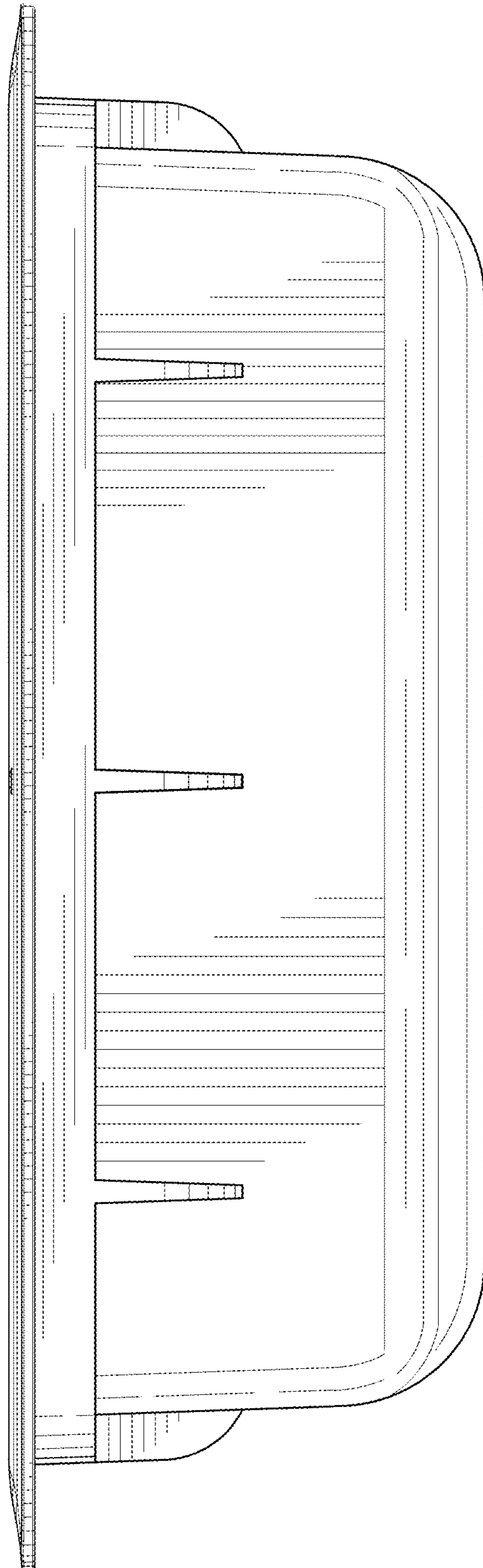


FIG. 20

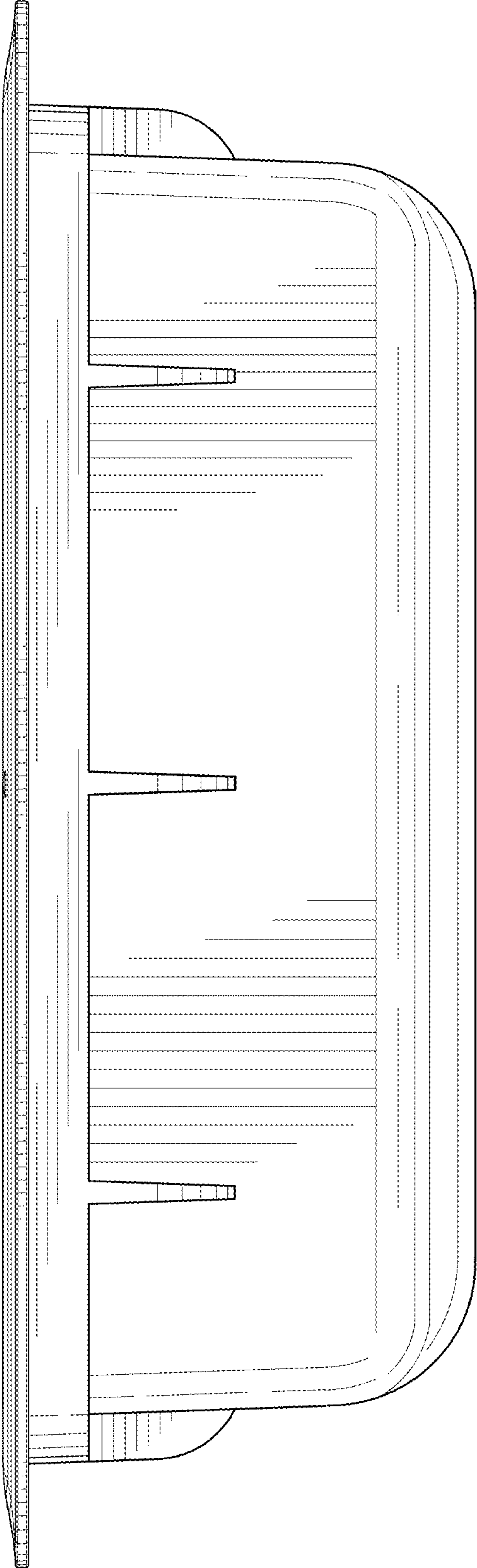


FIG. 21

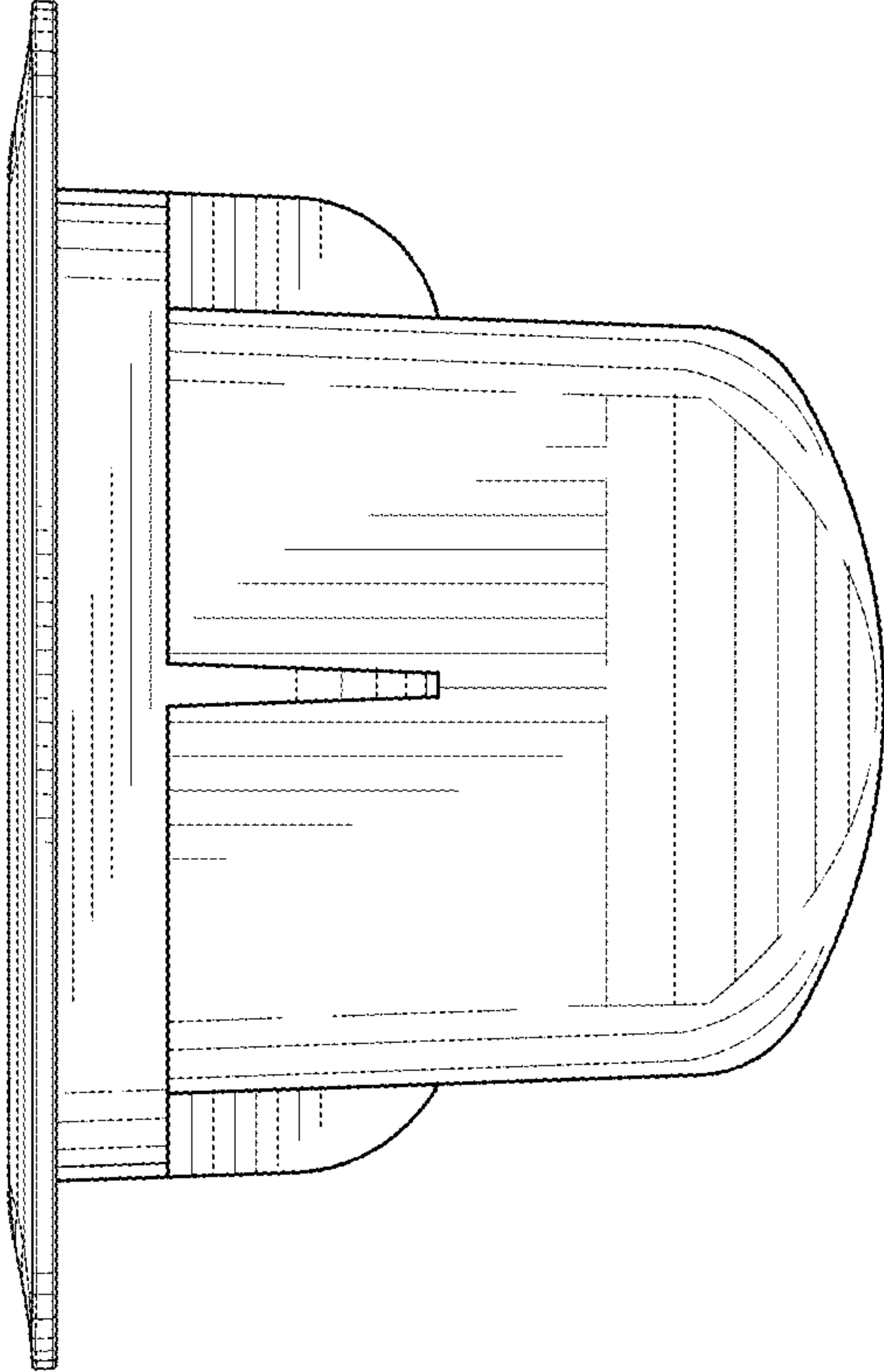


FIG. 23

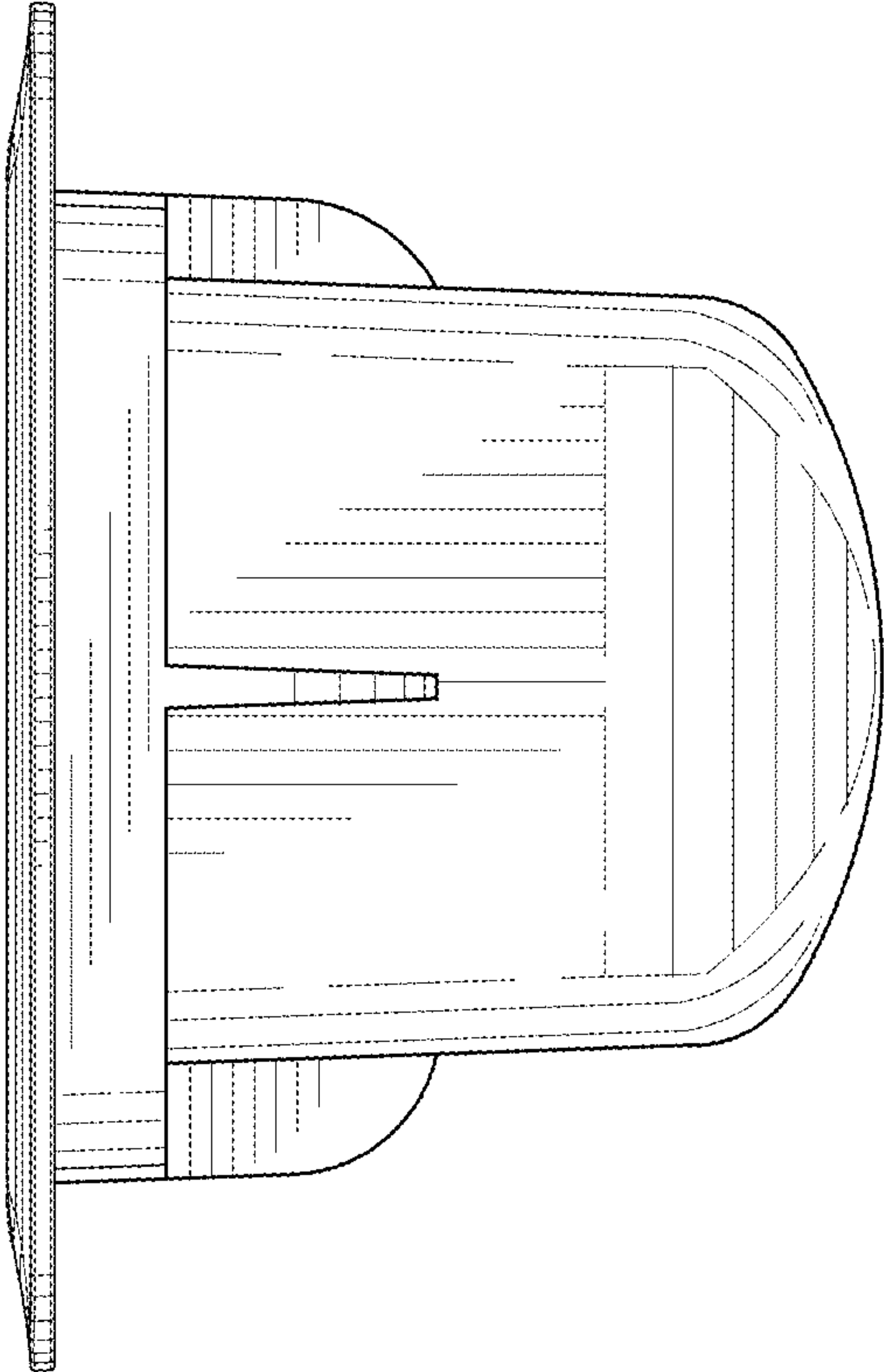


FIG. 22

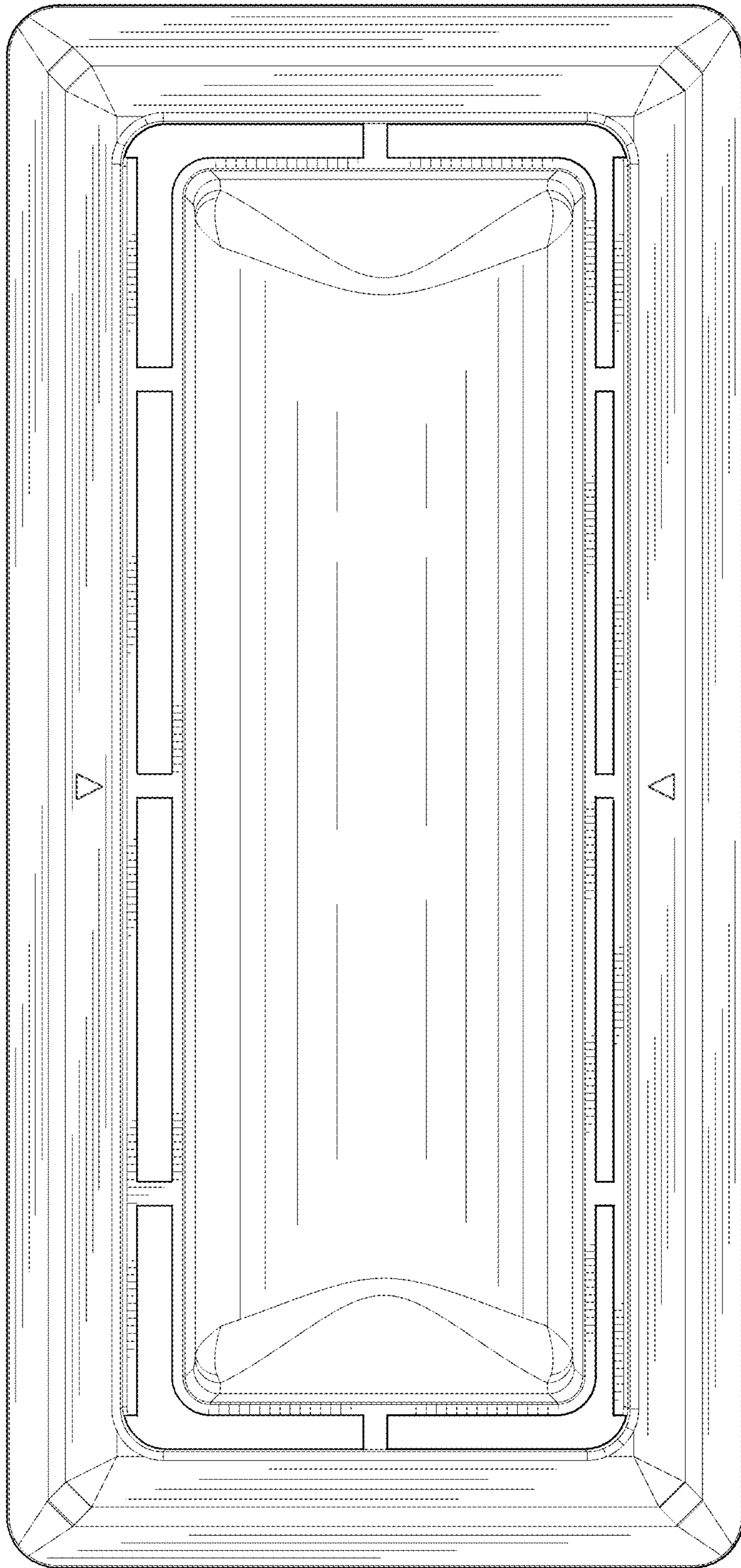


FIG. 24

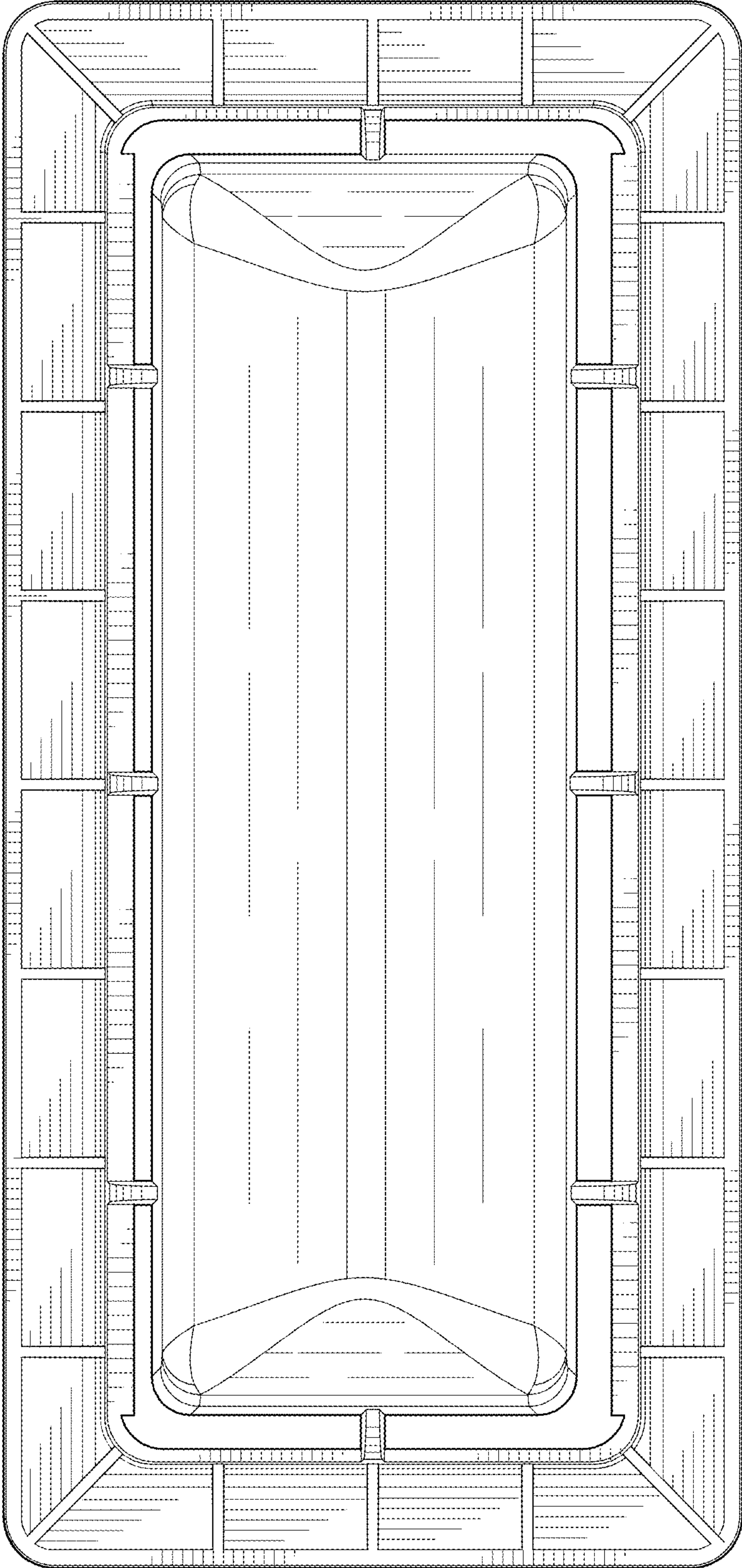


FIG. 25