



US00D890324S

(12) **United States Design Patent**
Xu

(10) **Patent No.:** **US D890,324 S**

(45) **Date of Patent:** **** Jul. 14, 2020**

(54) **FAN**

(71) Applicant: **ShenZhen TopSharp Precision Electronics Co., Ltd., Shenzhen (CN)**

(72) Inventor: **Wenlong Xu, Shenzhen (CN)**

(73) Assignee: **SHENZHEN TOPSHARP PRECISION ELECTRONICS CO., LTD., Shenzhen (CN)**

(**) Term: **15 Years**

(21) Appl. No.: **29/677,993**

(22) Filed: **Jan. 25, 2019**

(30) **Foreign Application Priority Data**

Jul. 30, 2018 (CN) 2018 3 0415187

(51) **LOC (12) Cl.** **23-04**

(52) **U.S. Cl.**
USPC **D23/382**

(58) **Field of Classification Search**

USPC D23/200, 314, 333, 334, 351, 355, 370,
D23/383, 359, 364, 365, 371-373, 376,
D23/381-382, 384-387, 393, 399, 411,
D23/499, 335

CPC F04D 25/08; F04D 25/084; F04D 29/40;
F04D 29/4226; F04D 29/52; F04D 19/00;
F04D 19/002

See application file for complete search history.

(56) **References Cited**

U.S. PATENT DOCUMENTS

D387,153 S * 12/1997 Fok D23/332
D449,373 S * 10/2001 Pinchuk D23/382
D464,420 S * 10/2002 Tolar D23/382
D510,994 S * 10/2005 Indio Da Costa D23/382
D674,476 S * 1/2013 Junkel D23/370
D684,249 S * 6/2013 Herbst D23/370
D721,431 S * 1/2015 Herbst D23/382

D807,487 S * 1/2018 Delerue D23/382
D824,012 S * 7/2018 Xu D23/382
D825,048 S * 8/2018 Breit D23/382
D841,796 S * 2/2019 Freeland D23/382
D855,171 S * 7/2019 Xu D23/382
D862,679 S * 10/2019 Zhou D23/380

(Continued)

FOREIGN PATENT DOCUMENTS

CN 208950937 U * 6/2019 F04D 25/08

OTHER PUBLICATIONS

Folding fan. (Design—© Questel) orbit.com. [online PDF] 134 pgs. Print Dates range Apr. 8, 2015 through May 15, 2020. [retrieved Jun. 4, 2020] <https://www.orbit.com/export/QPTUJ214/pdf2/55b30317-920c-46b6-83ff-99fdfe58ac9c-012907.pdf>.*

Primary Examiner — Marie D. Fast Horse

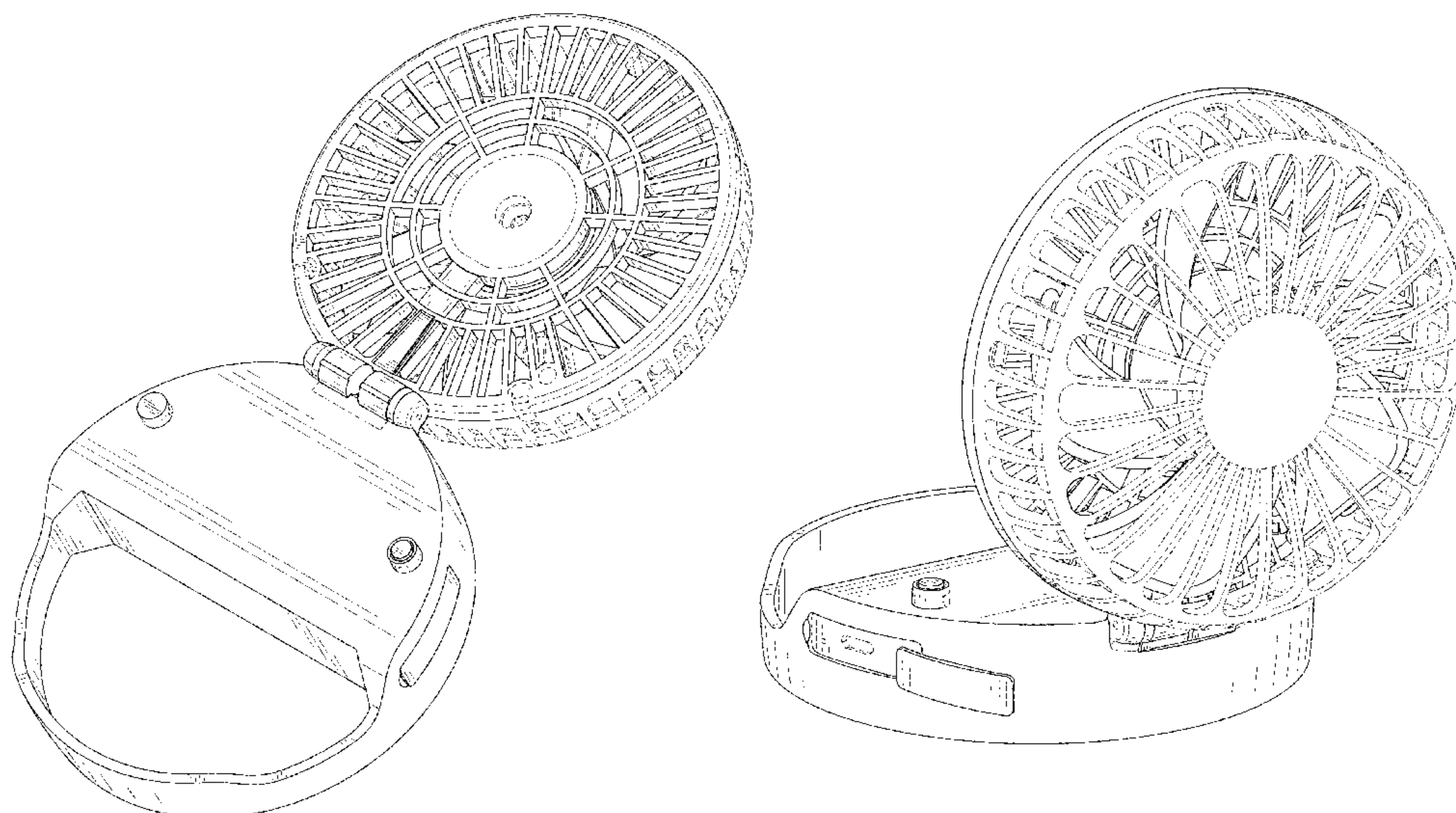
(57) **CLAIM**

The ornamental design for a fan, as shown and described.

DESCRIPTION

FIG. 1 is a front elevational view of the fan showing my new design;
FIG. 2 is a rear elevational view thereof;
FIG. 3 is a left side elevational view thereof;
FIG. 4 is a right side elevational view thereof;
FIG. 5 is a top plan view thereof;
FIG. 6 is a bottom plan view thereof;
FIG. 7 is a perspective view thereof, showing the fan in a first state;
FIG. 8 is similar to FIG. 7, viewed from another aspect;
FIG. 9 is similar to FIG. 7, showing the fan in a second state; and,
FIG. 10 is similar to FIG. 7, showing the fan in a third state. The broken lines in the drawings depict portions of the fan that form no part of the claimed design.

1 Claim, 10 Drawing Sheets



(56)

References Cited

U.S. PATENT DOCUMENTS

10,436,206 B2 * 10/2019 Freeland F04D 29/601
D881,371 S * 4/2020 Hollinger D23/382
D884,146 S * 5/2020 Hollinger D23/382

* cited by examiner

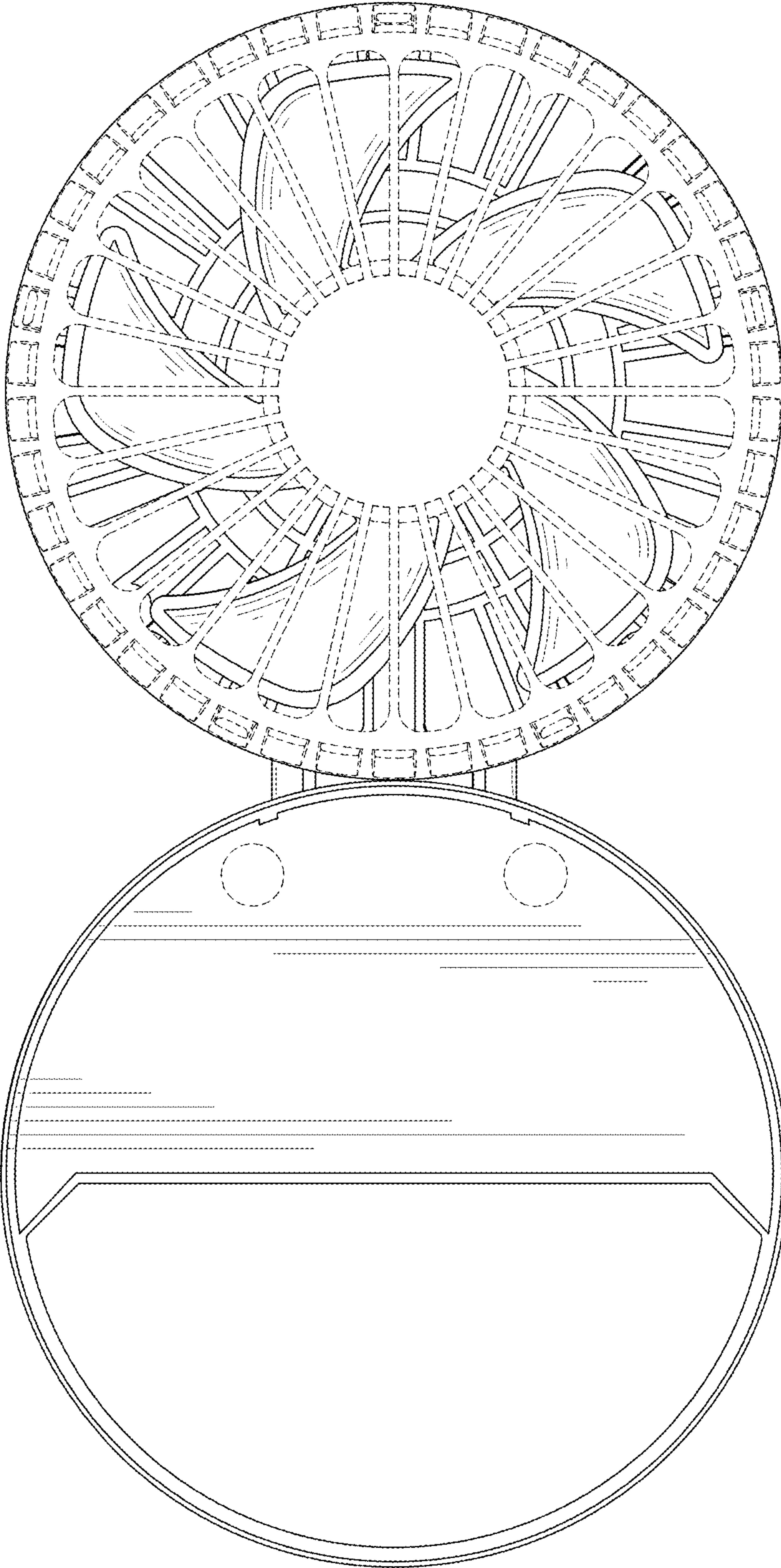


FIG. 1

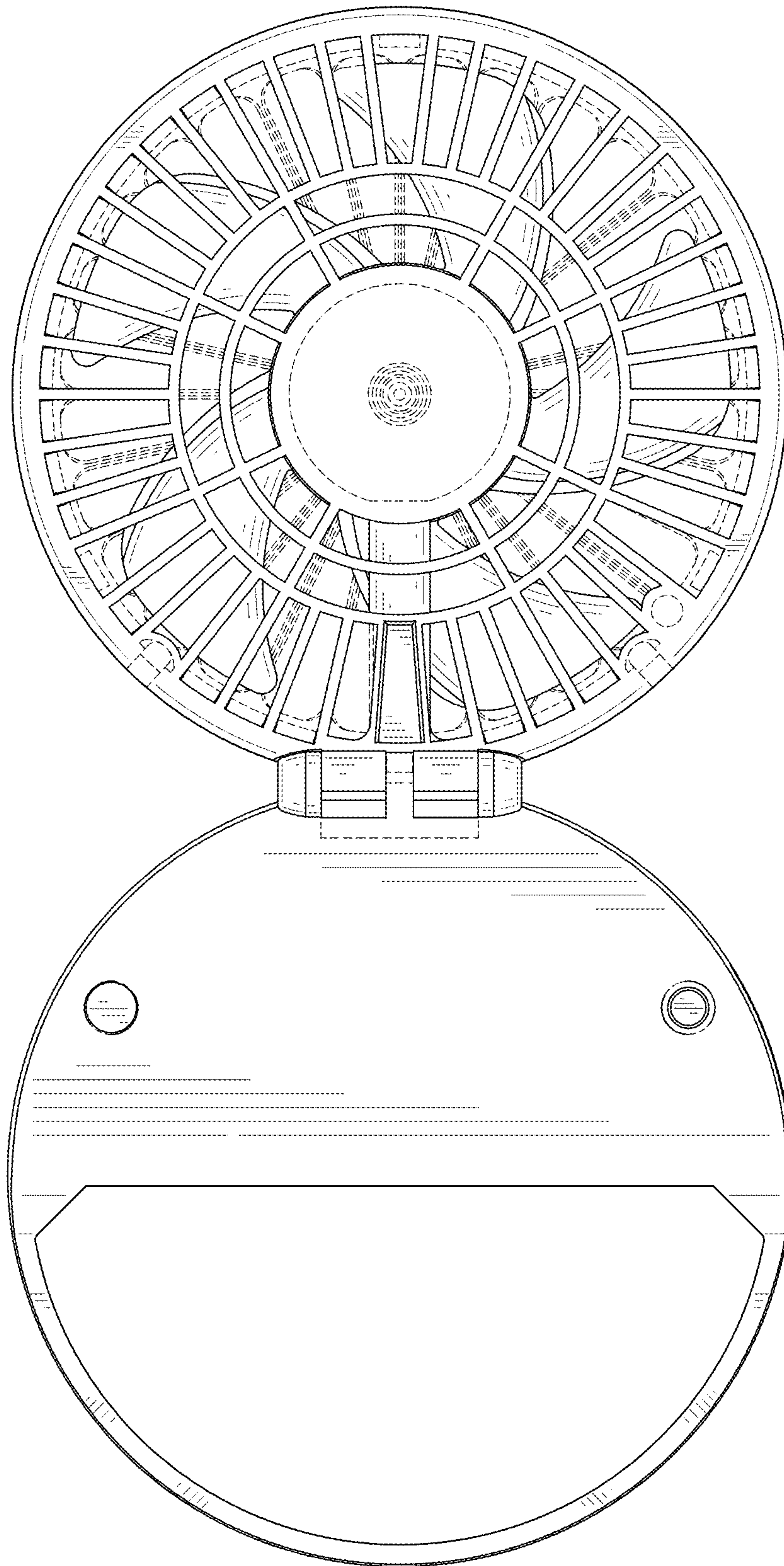


FIG. 2

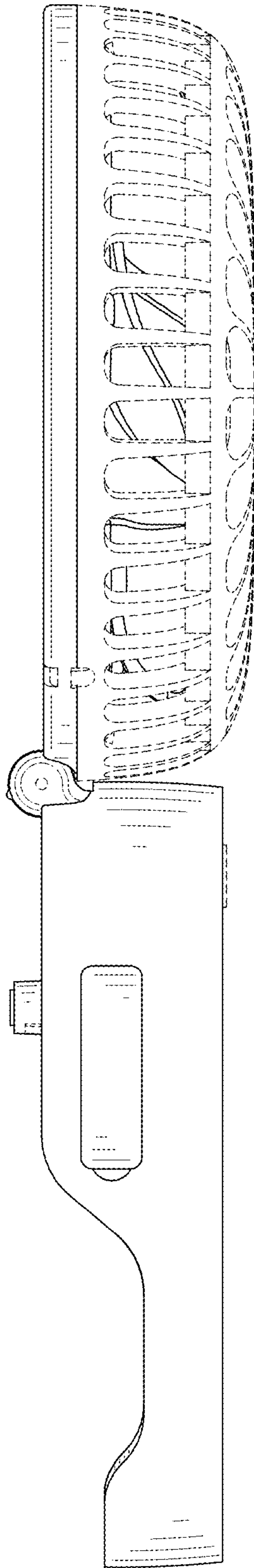


FIG. 3

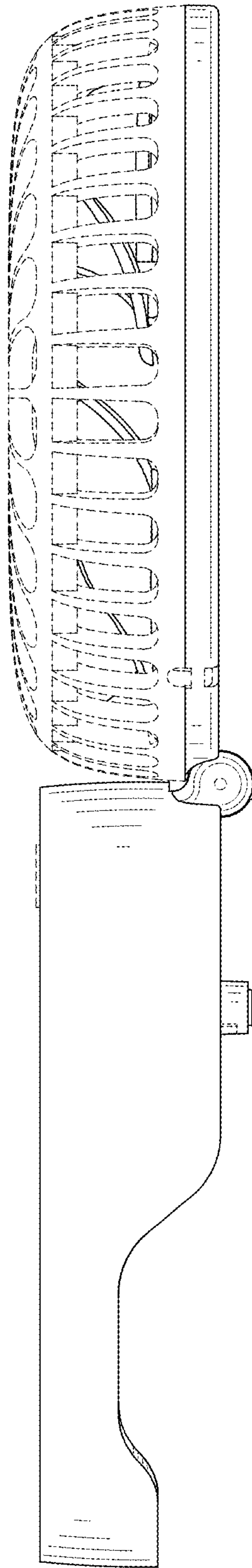


FIG. 4

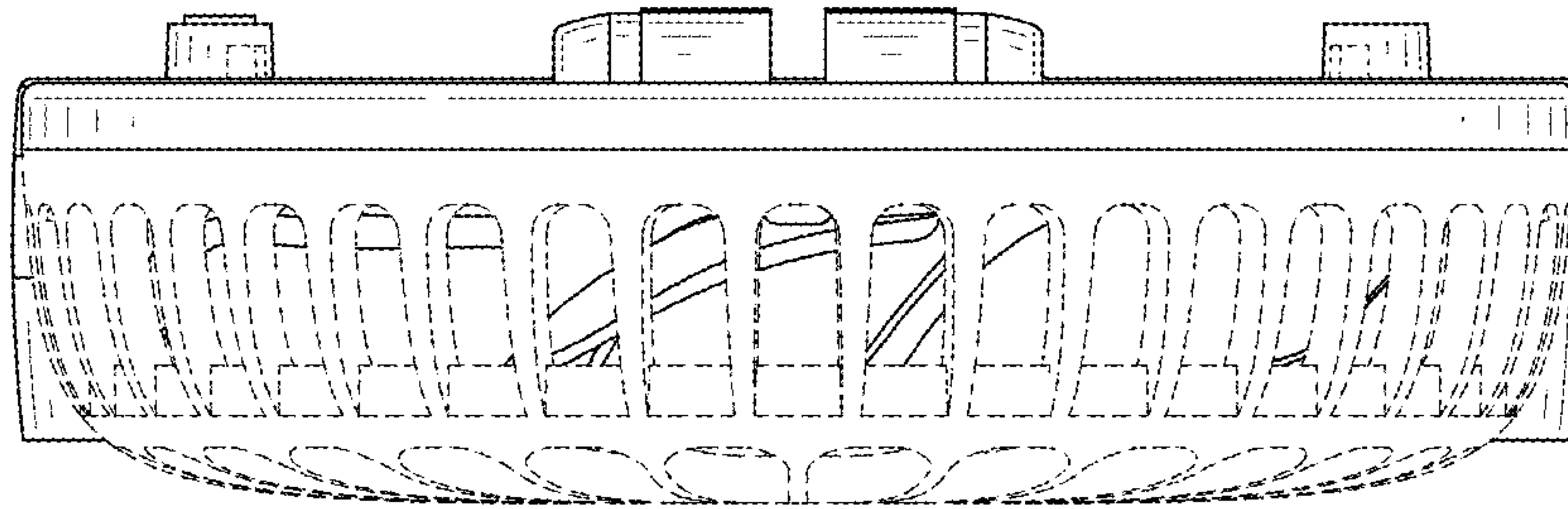


FIG. 5

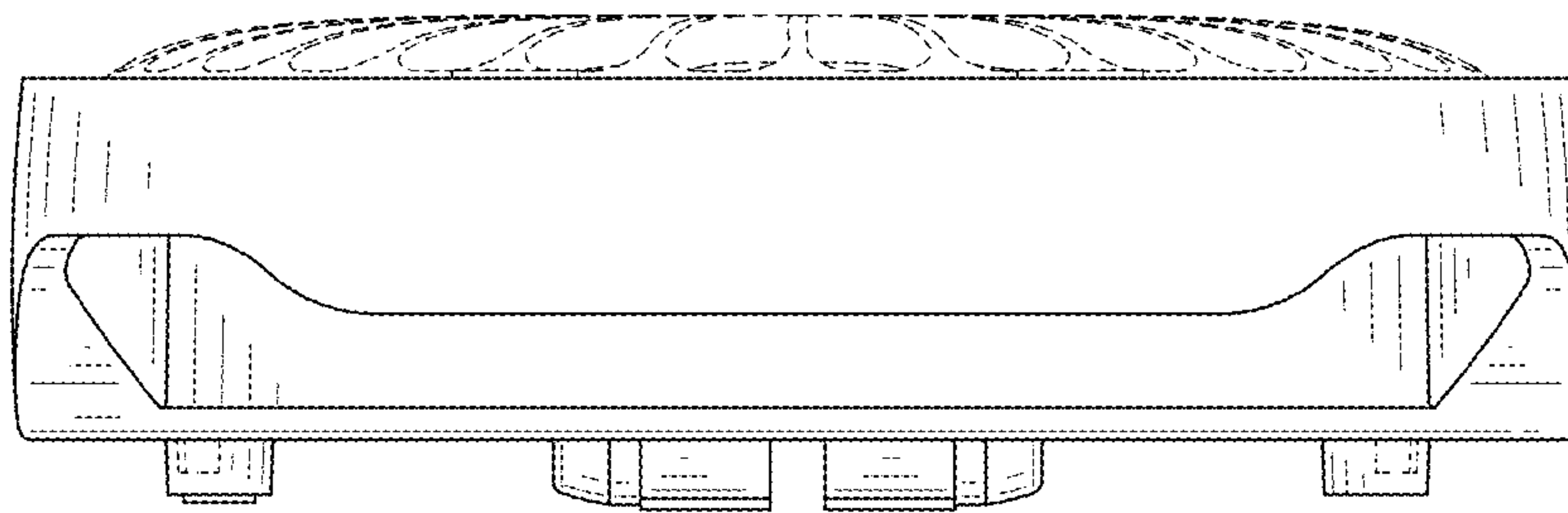


FIG. 6

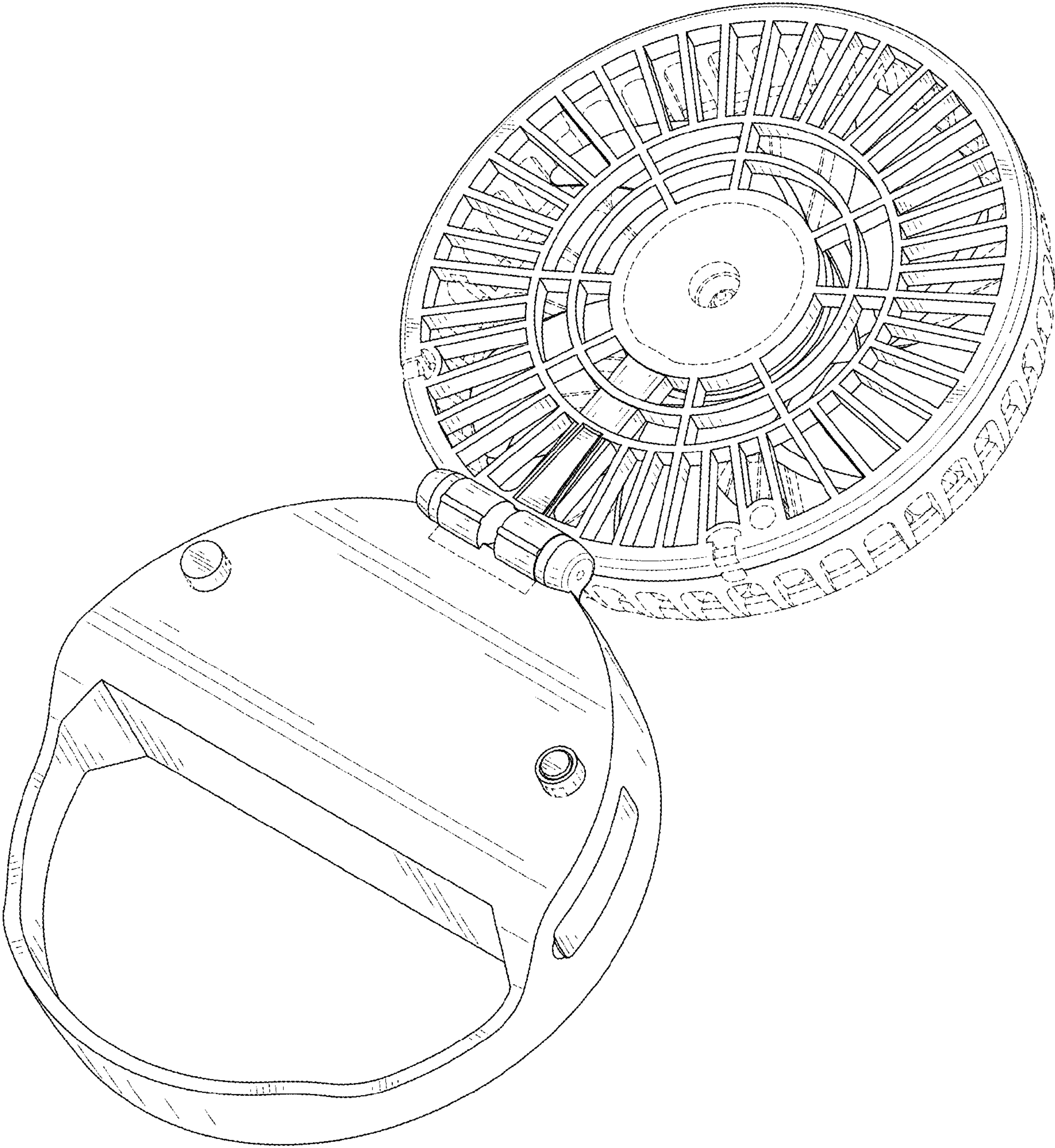


FIG. 7

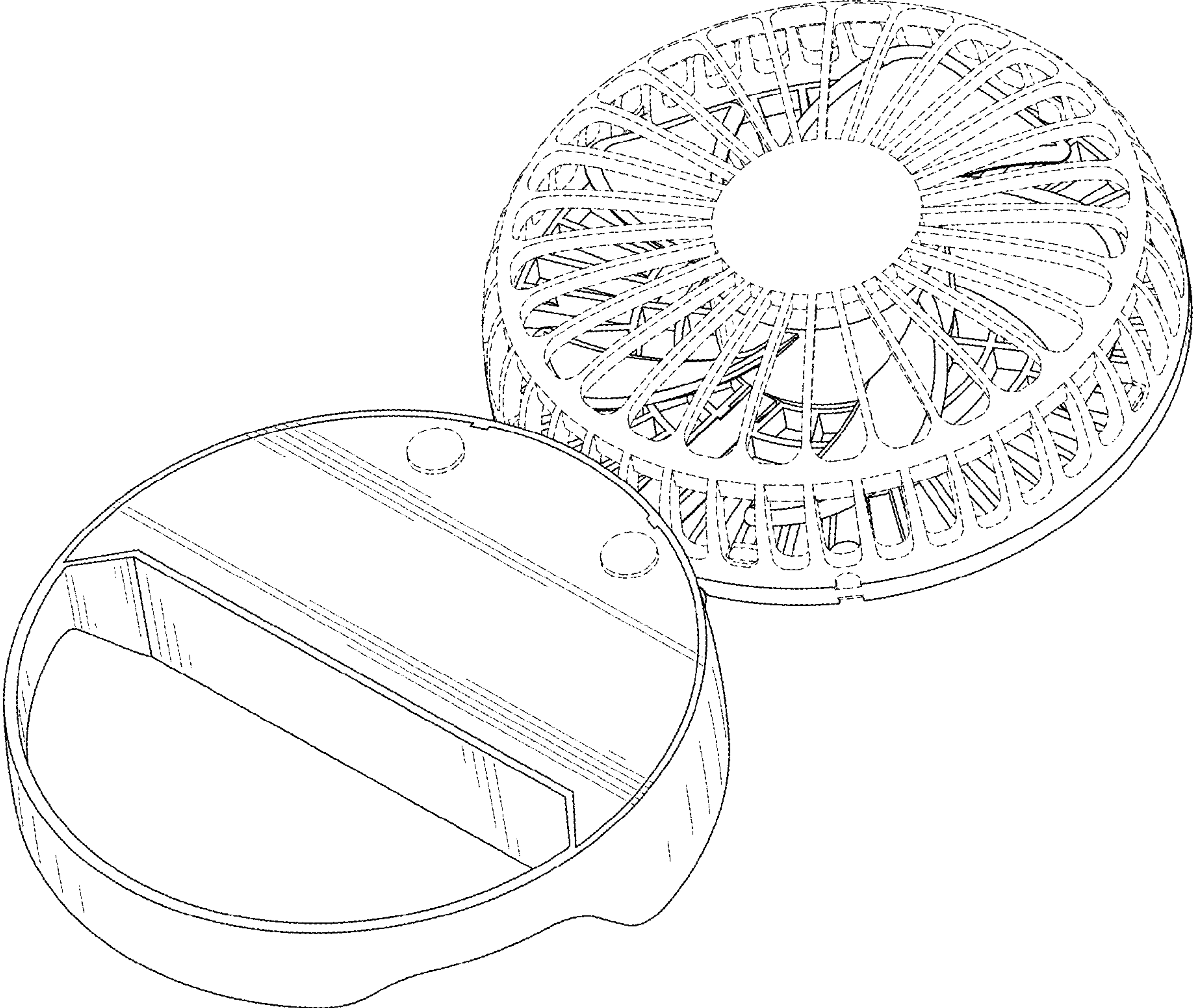


FIG. 8

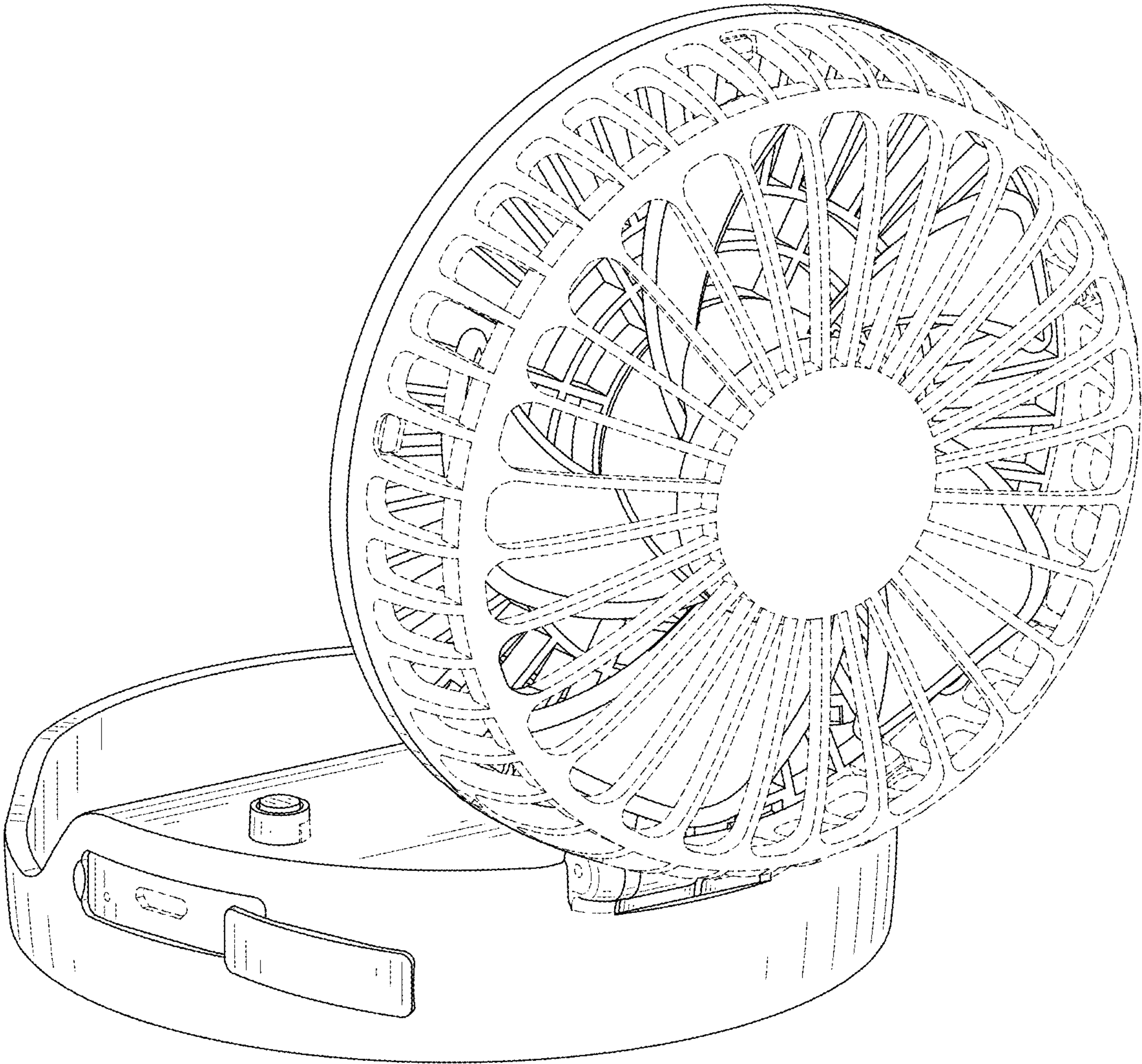


FIG. 9

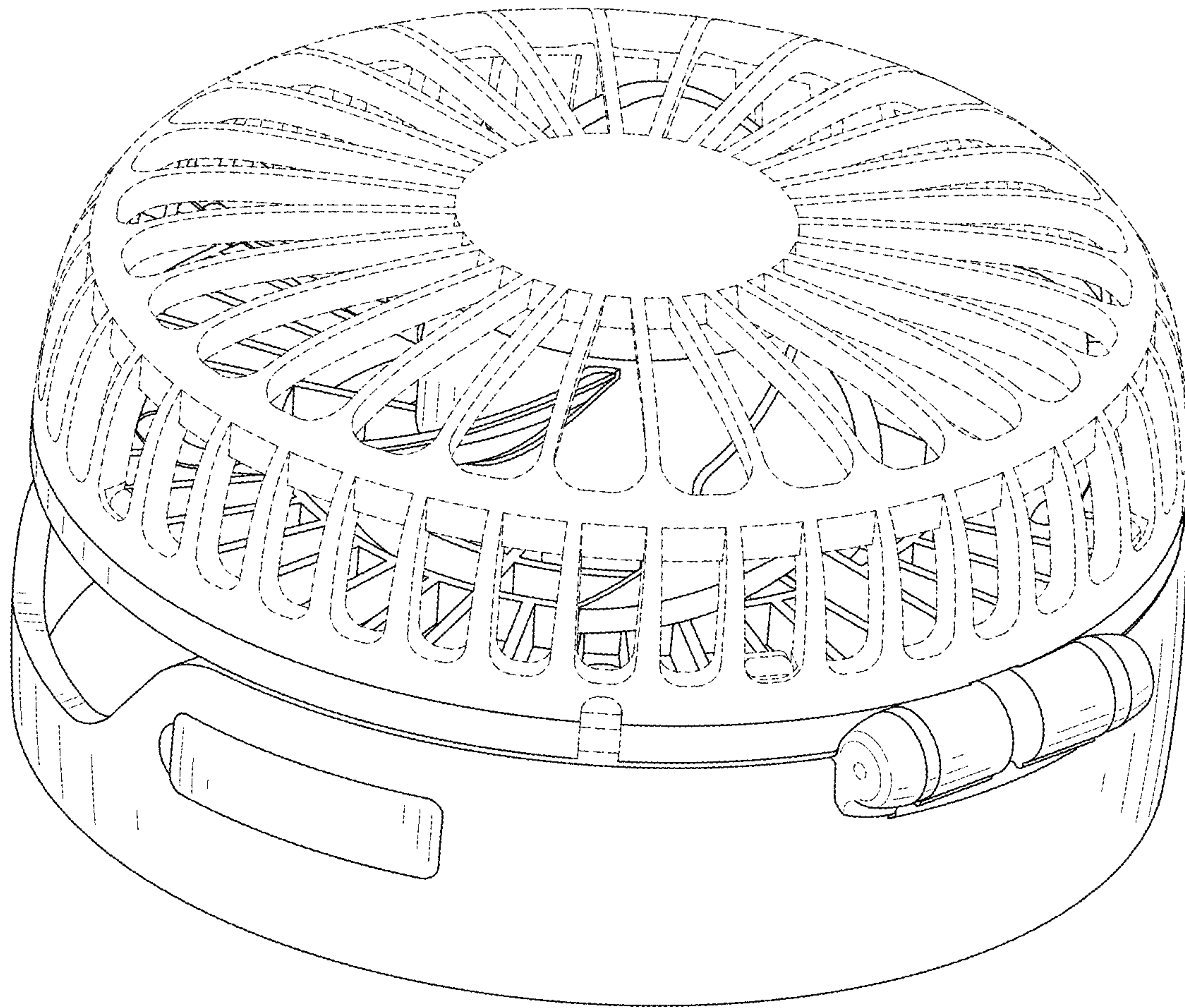


FIG. 10