



US00D890323S

(12) **United States Design Patent** (10) **Patent No.:** **US D890,323 S**
Hou (45) **Date of Patent:** **** Jul. 14, 2020**

(54) **AIR BLOWER**

(71) Applicants: **GD MIDEA ENVIRONMENT APPLIANCES MFG CO., LTD.,**
Zhongshan (CN); **MIDEA GROUP CO., LTD.,** Foshan (CN)

(72) Inventor: **Wei Hou,** Zhongshan (CN)

(**) Term: **15 Years**

(21) Appl. No.: **29/643,933**

(22) Filed: **Apr. 12, 2018**

(30) **Foreign Application Priority Data**

Oct. 16, 2017 (EP) 004406783-0001
Oct. 16, 2017 (EP) 004406783-0002

(51) **LOC (12) Cl.** **23-04**

(52) **U.S. Cl.**
USPC **D23/378**

(58) **Field of Classification Search**
USPC D23/332-337, 348, 355-364, 378, 342,
D23/366, 370-376
CPC F04D 5/00; F04D 27/00; F04D 25/088;
F04D 29/005; F04D 29/601; F04D
29/324; F24H 3/04; F21V 33/0096; F21V
33/0092; F24F 13/078
See application file for complete search history.

(56) **References Cited**

U.S. PATENT DOCUMENTS

D513,071 S * 12/2005 Lee D23/378
D581,038 S * 11/2008 Boswell D23/378
D582,538 S * 12/2008 Catrino D23/378
D762,830 S * 8/2016 Lewis D23/332
D776,248 S * 1/2017 Lewis D23/370
D789,502 S * 6/2017 Cartwright D23/356
D799,653 S * 10/2017 Jun D23/351
D809,120 S * 1/2018 Shin D23/378

D817,467 S * 5/2018 Shin D23/364
D841,140 S * 2/2019 Chen D23/336
D841,795 S * 2/2019 Chen D23/378
D854,671 S * 7/2019 Fang D23/333
D858,736 S * 9/2019 Lewis D23/378
2004/0197091 A1* 10/2004 Orr F24H 3/0417
392/365

* cited by examiner

Primary Examiner — Cathron C Brooks
Assistant Examiner — Sharon S Oum

(74) *Attorney, Agent, or Firm* — Kilpatrick Townsend & Stockton, LLP

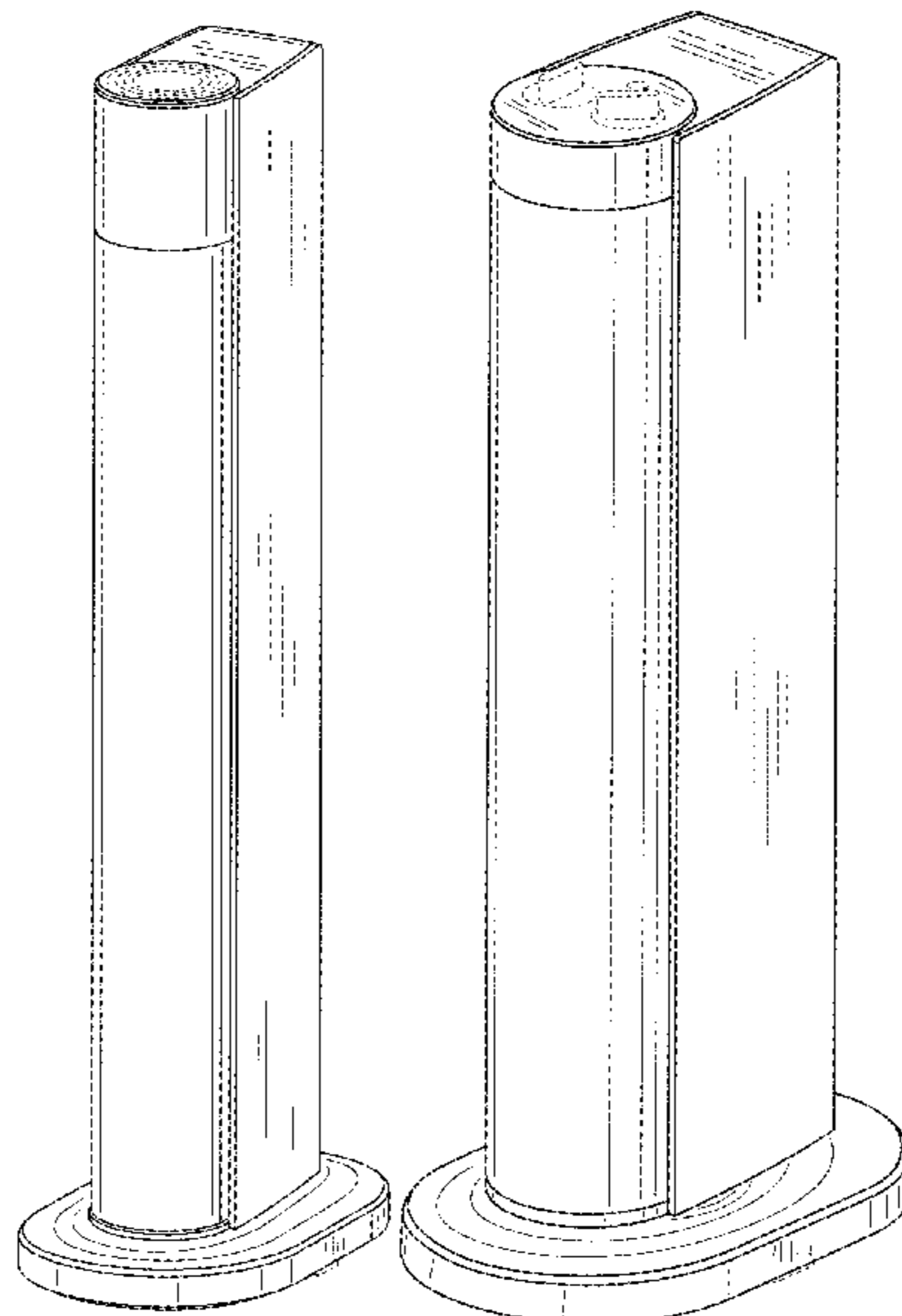
(57) **CLAIM**

The ornamental design for an air blower, as shown and described.

DESCRIPTION

FIG. 1 is a perspective view of a first embodiment of the air blower, showing our new design;
FIG. 2 is a front view thereof;
FIG. 3 is a back view thereof;
FIG. 4 is a right side view thereof;
FIG. 5 is a left side view thereof;
FIG. 6 is a top view thereof;
FIG. 7 is a bottom view thereof;
FIG. 8 is a perspective view of a second embodiment of the air blower, showing our new design;
FIG. 9 is a front view thereof;
FIG. 10 is a back view thereof;
FIG. 11 is a right side view thereof;
FIG. 12 is a left side view thereof;
FIG. 13 is a top view thereof; and,
FIG. 14 is a bottom view thereof.
The broken lines in the figures are presented for the purpose of illustrating various portions of the air blower, and form no part of the claimed design.

1 Claim, 12 Drawing Sheets



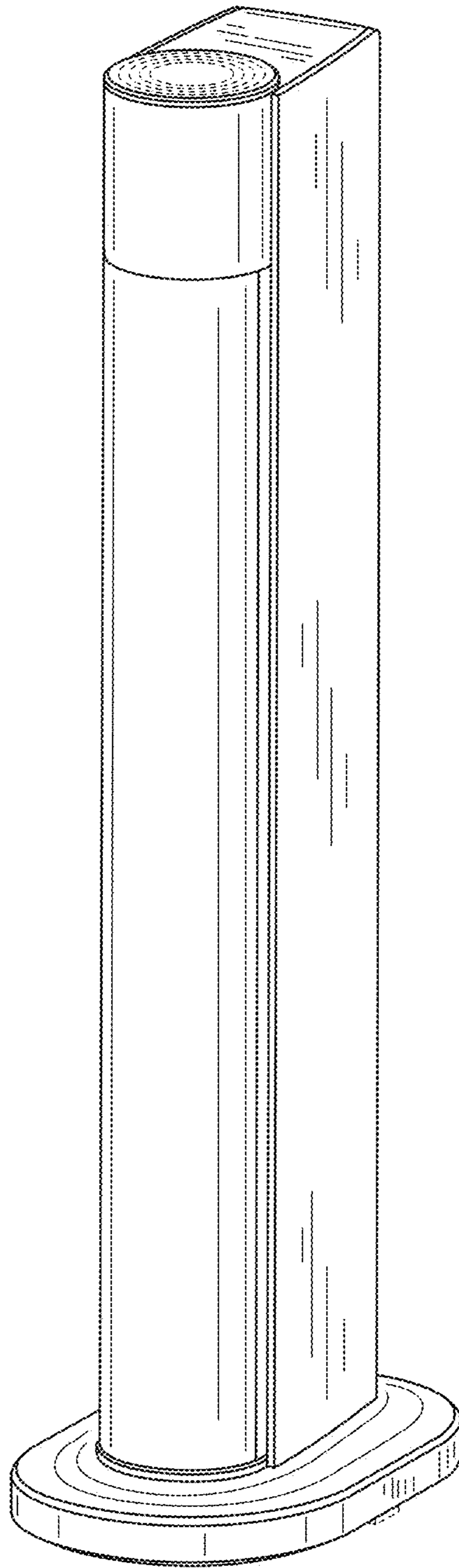


FIG.1

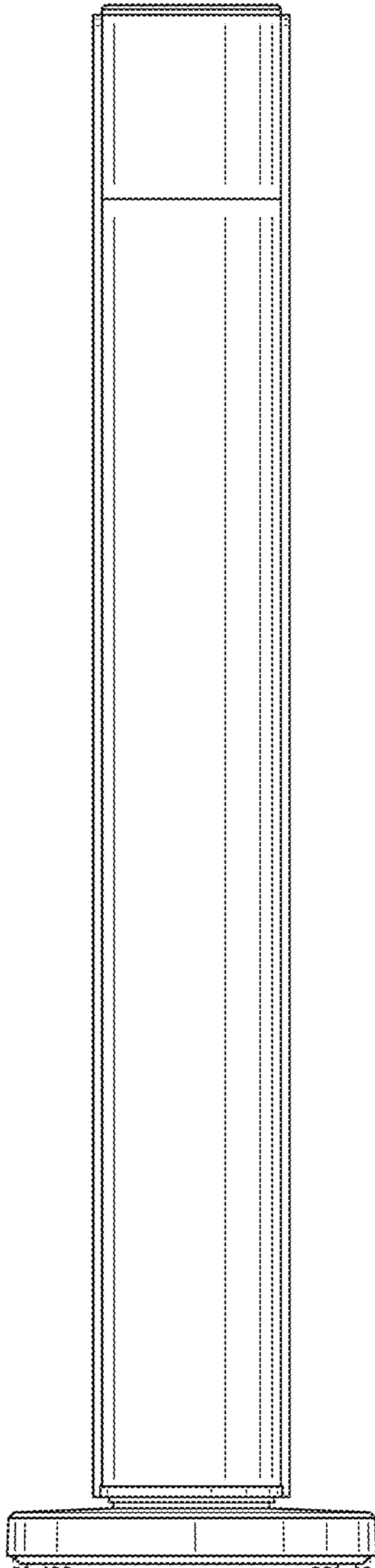


FIG.2

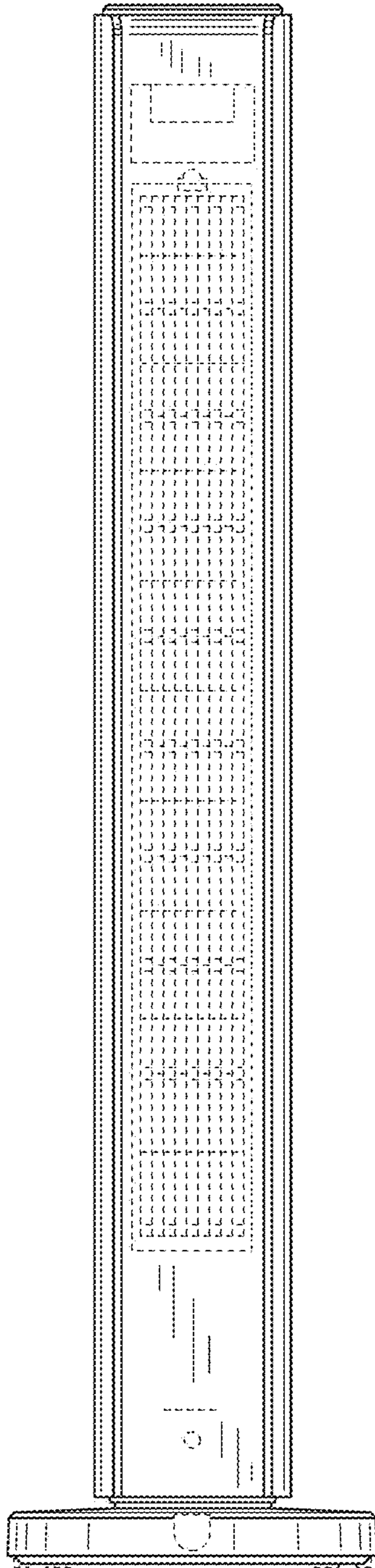


FIG.3

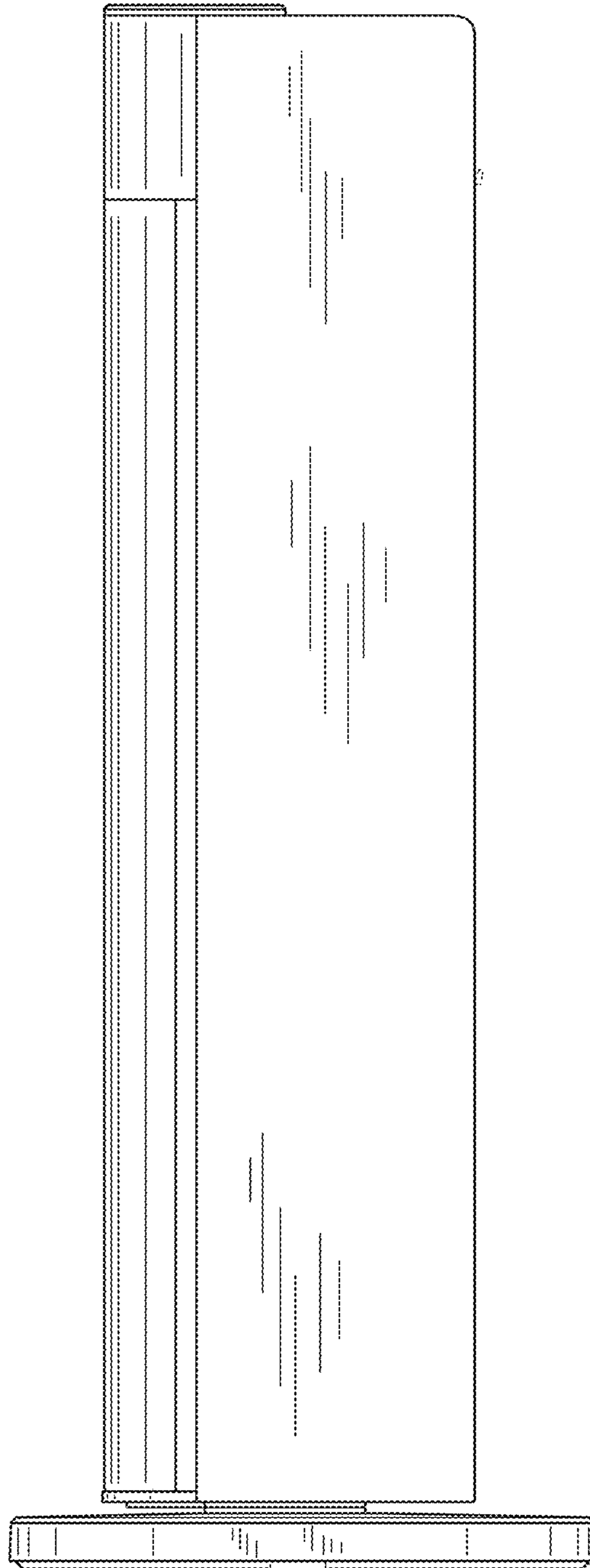


FIG.4

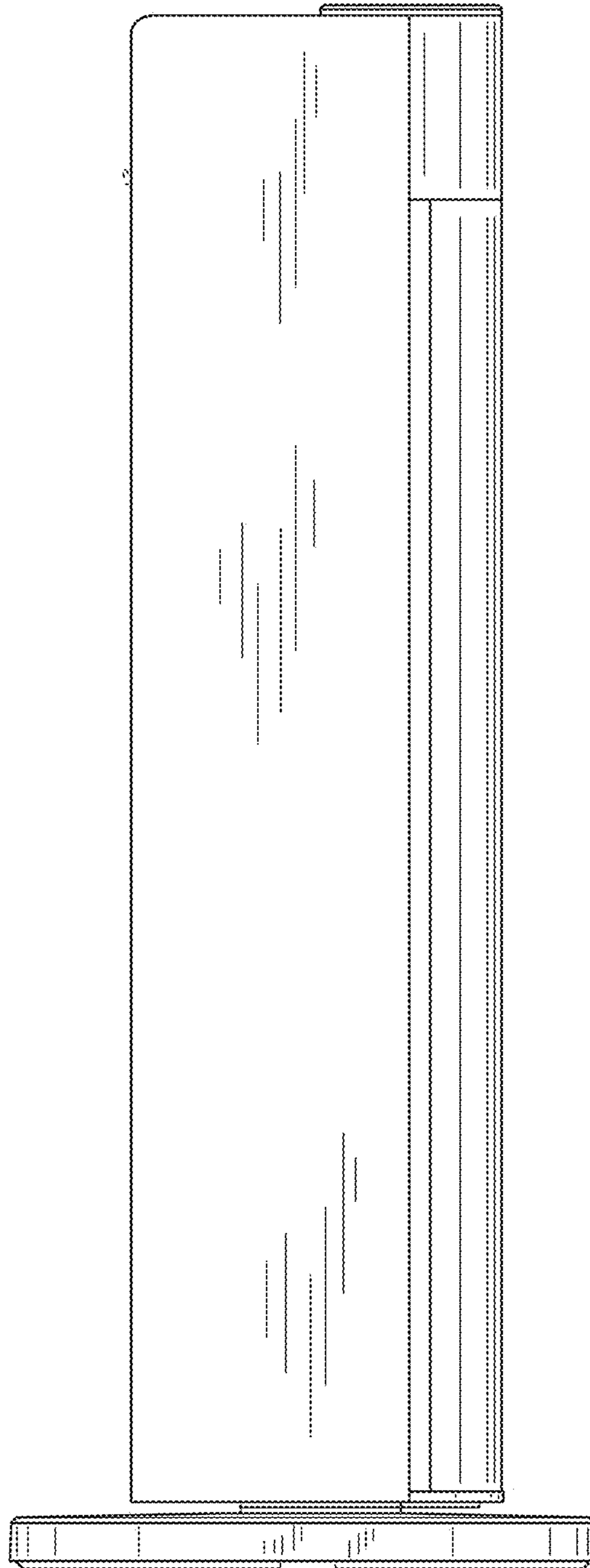


FIG.5

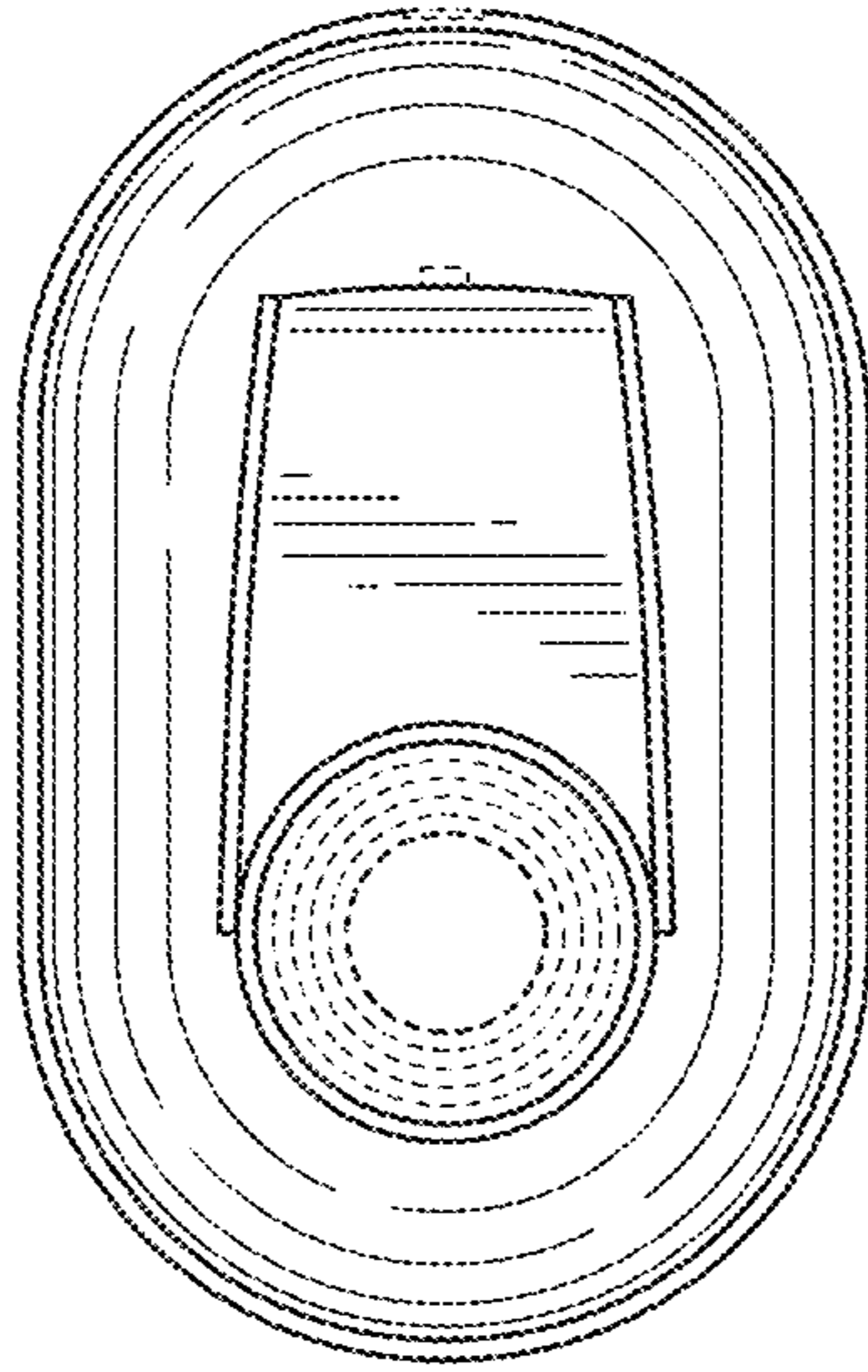


FIG. 6

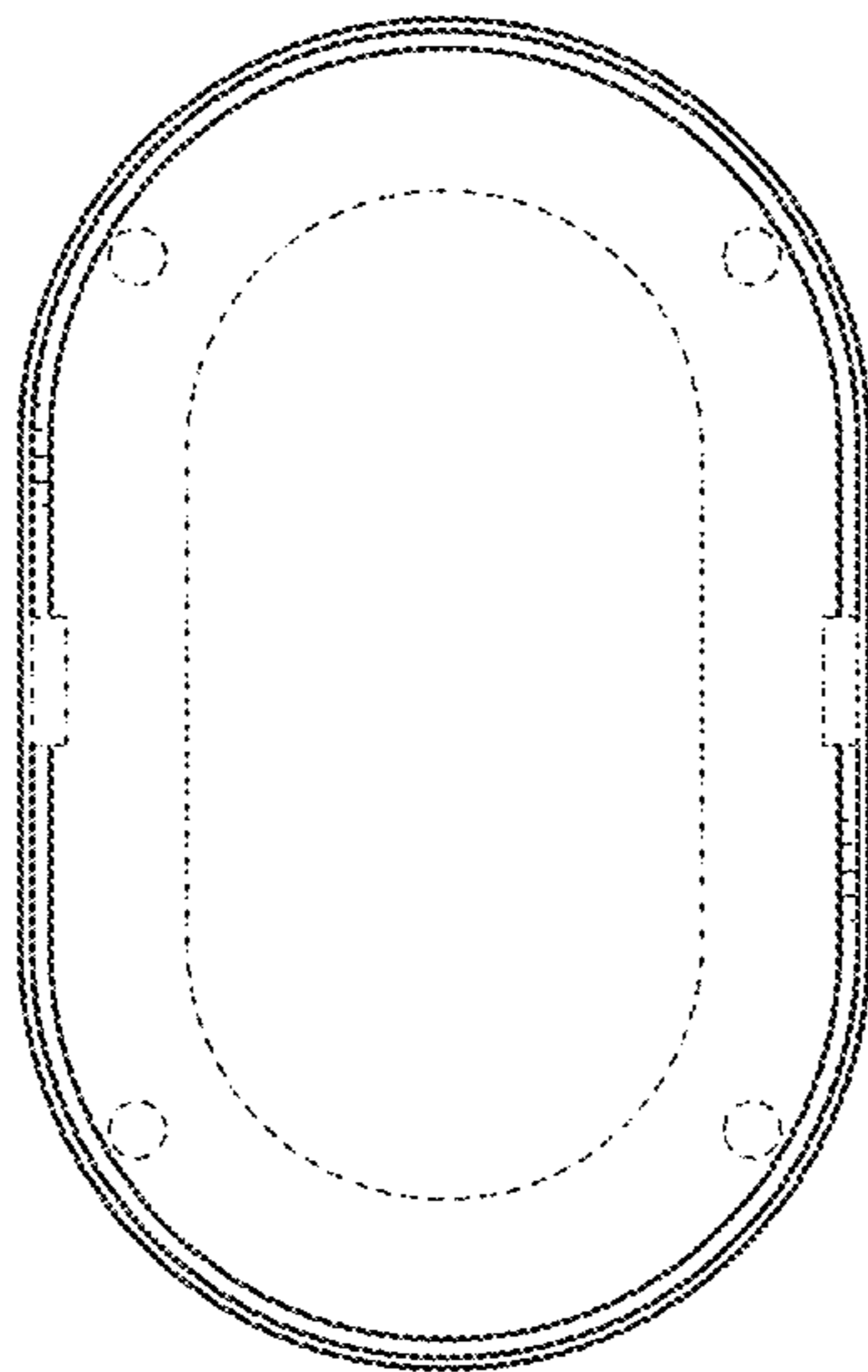


FIG. 7

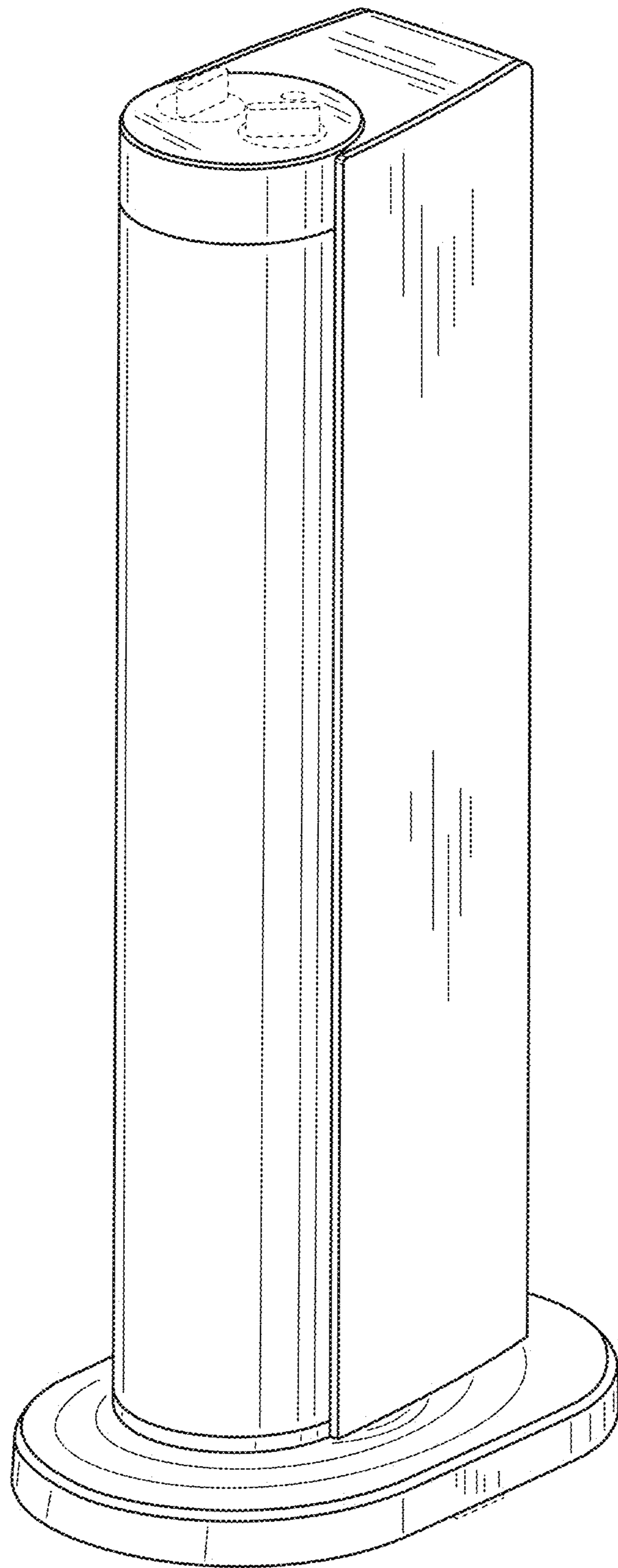


FIG.8

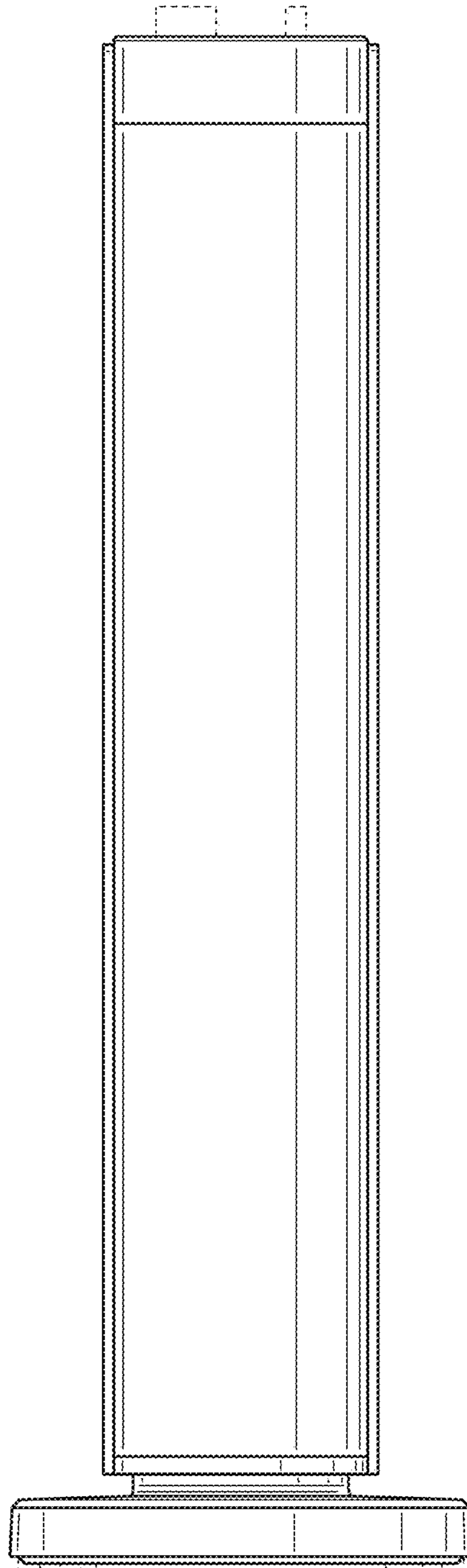


FIG.9

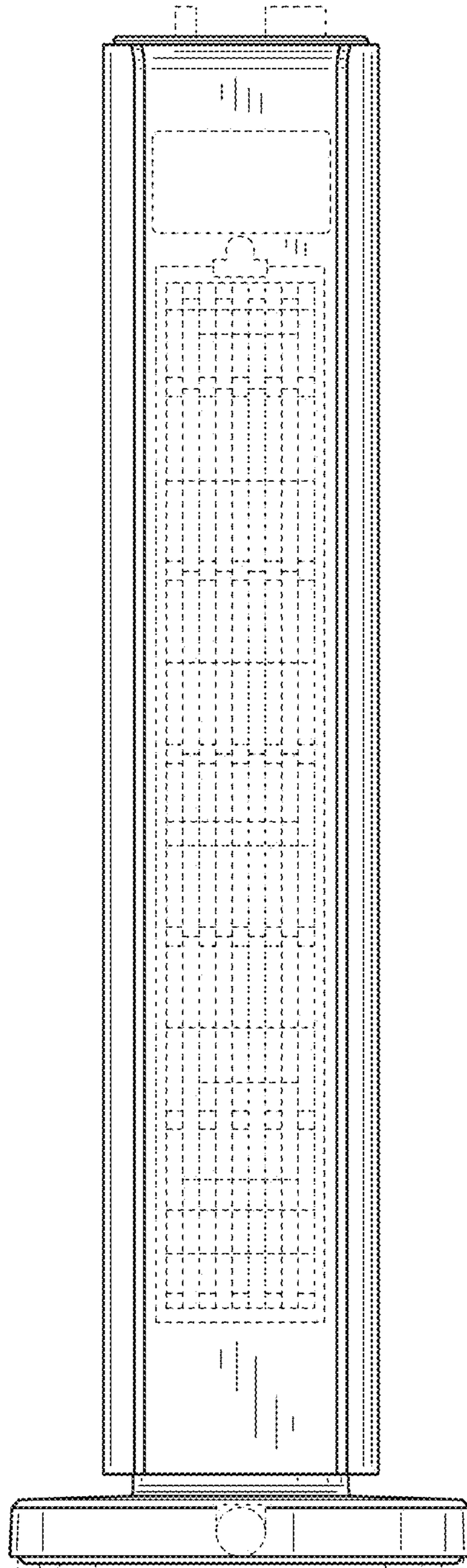


FIG. 10

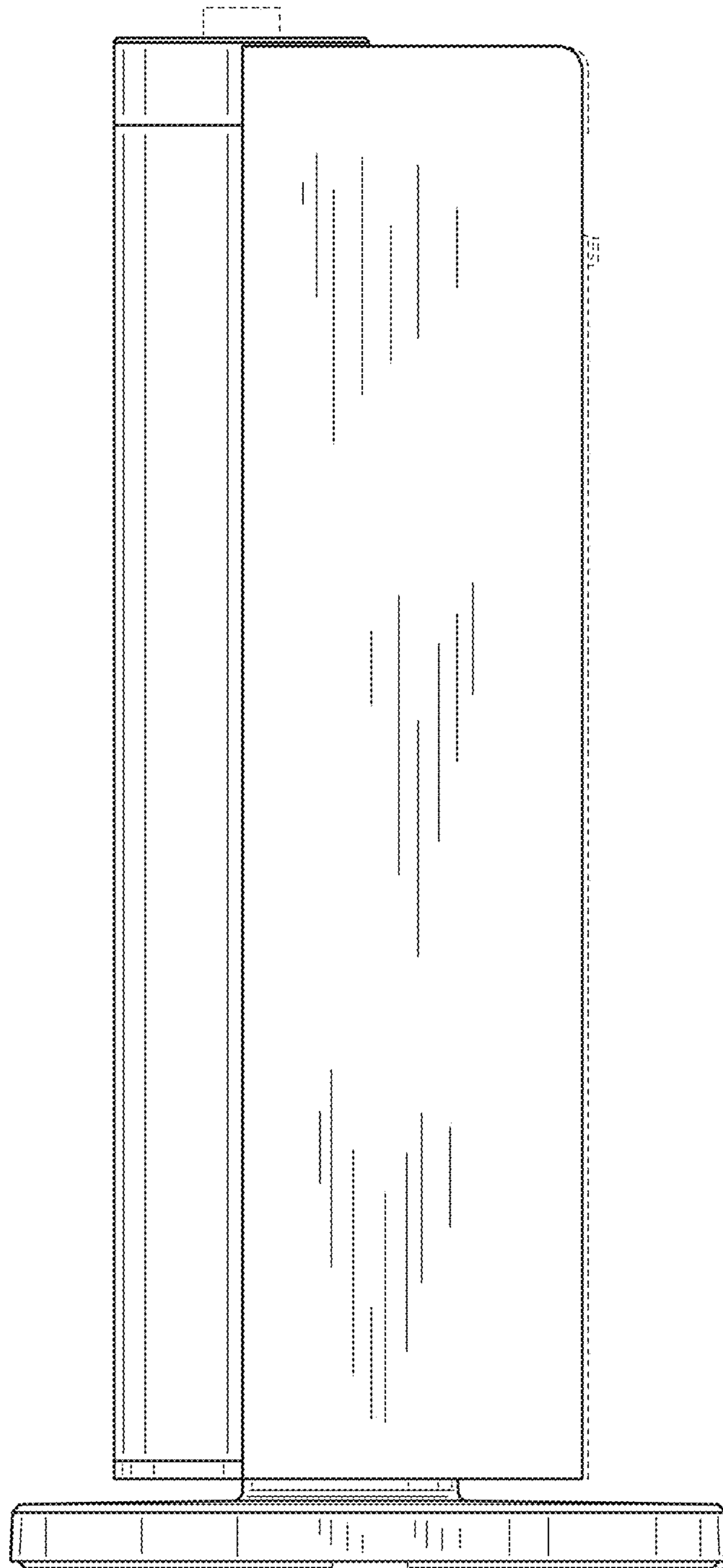


FIG. 11

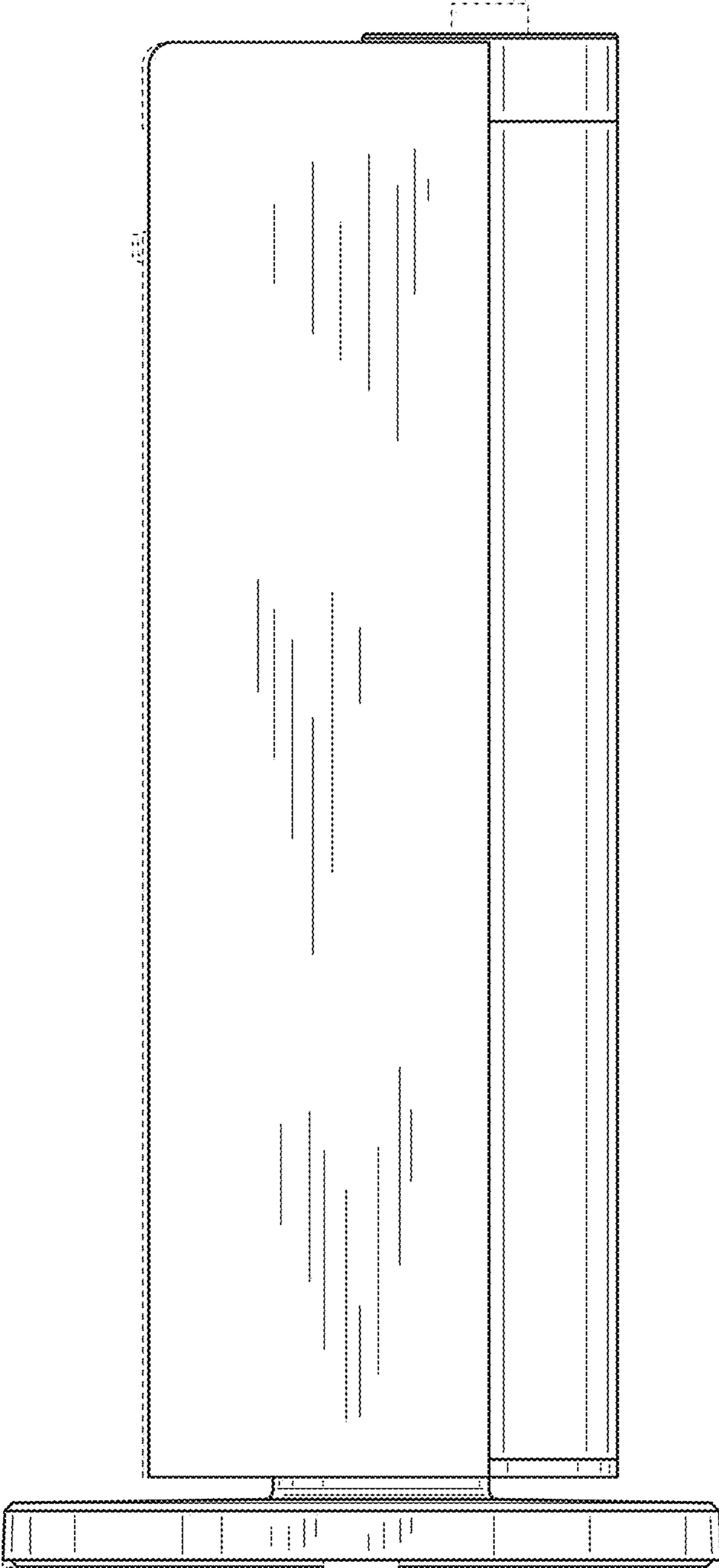


FIG. 12

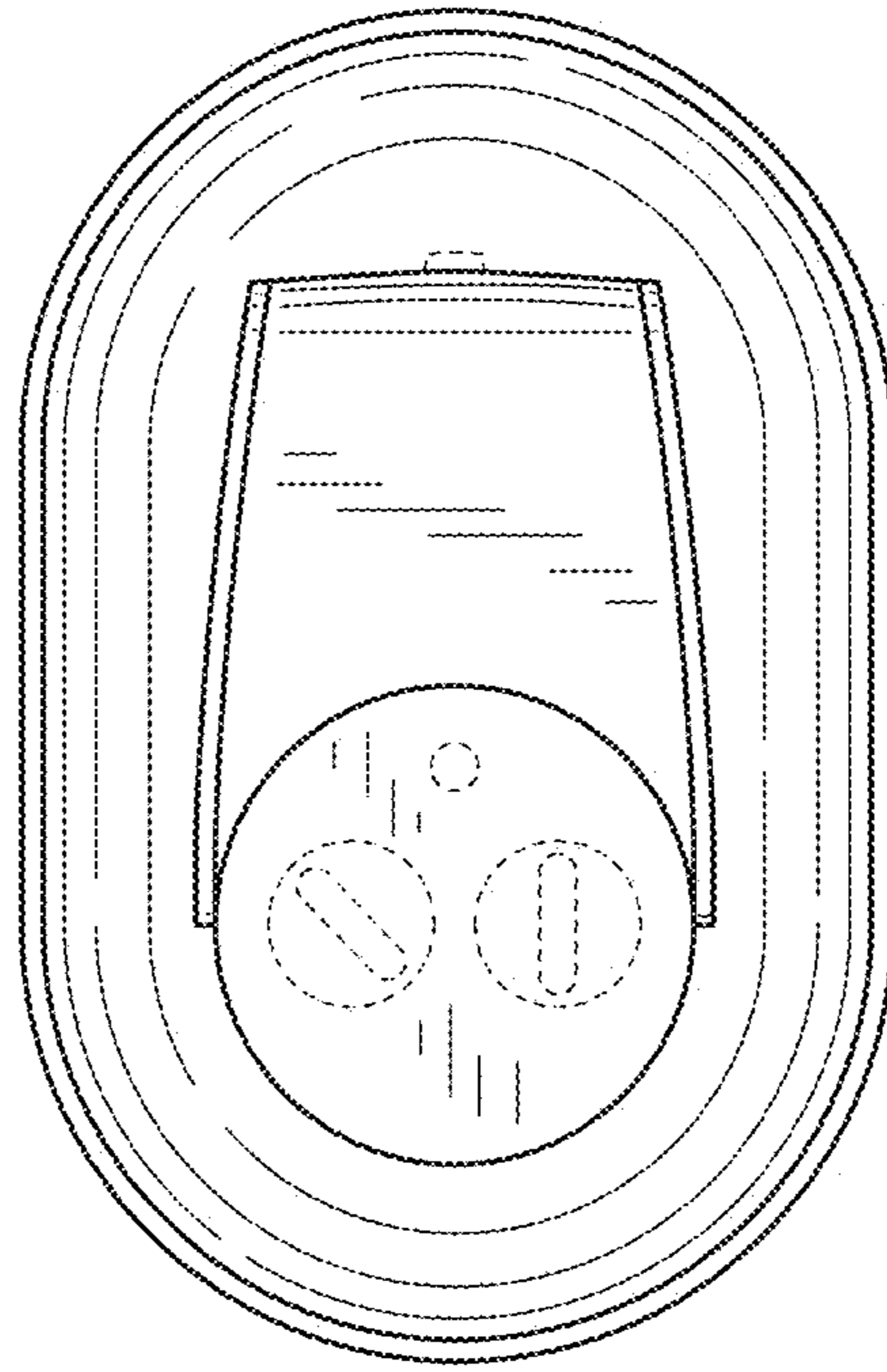


FIG. 13

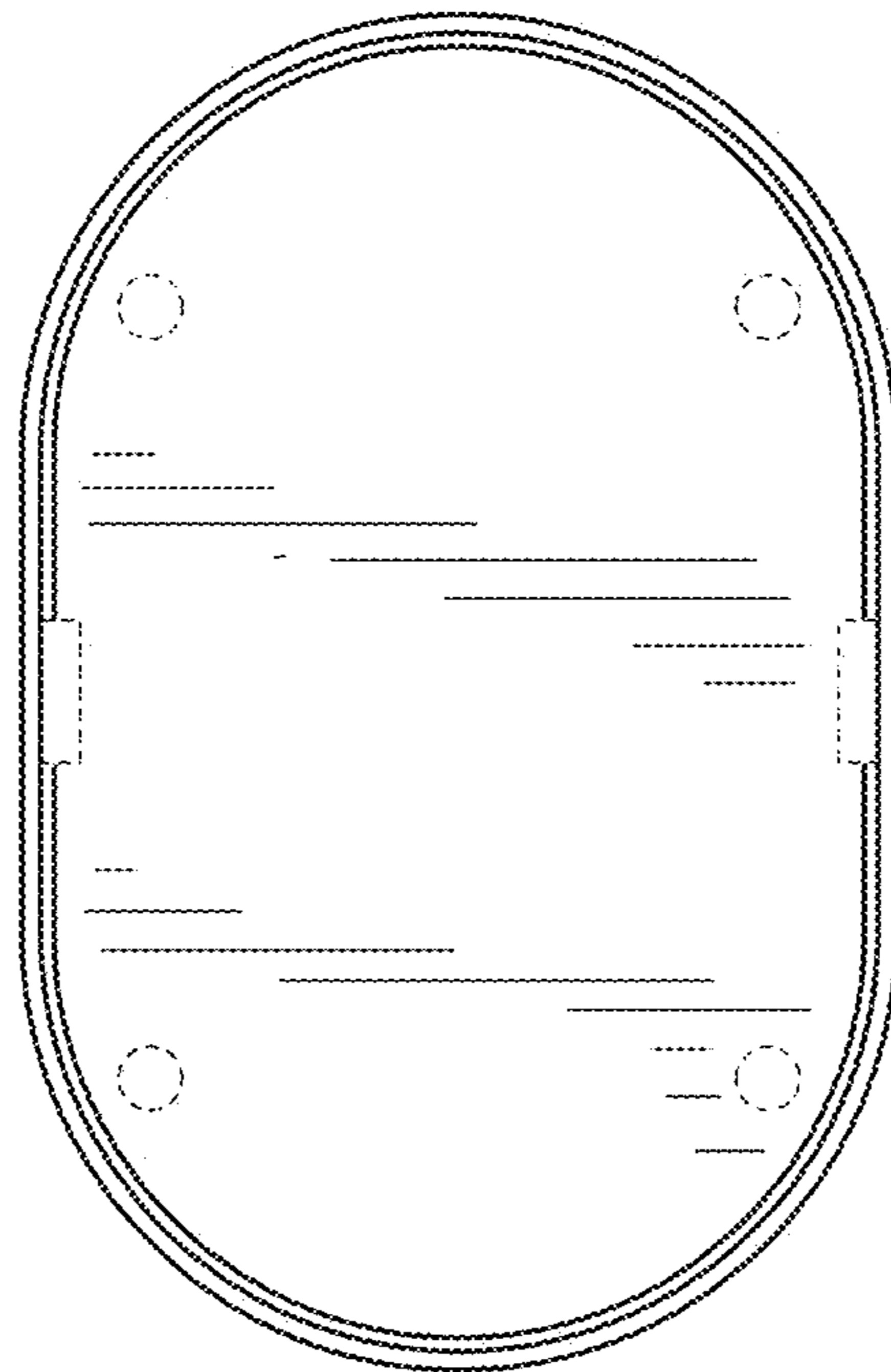


FIG. 14