

US00D890322S

(12) **United States Design Patent** (10) **Patent No.:** **US D890,322 S**
Chen et al. (45) **Date of Patent:** **** Jul. 14, 2020**

- (54) **CEILING FAN WITH LIGHT**
- (71) Applicants: **Chia-Teh Chen**, Taipei (TW);
Meng-Chu Lee, Taipei (TW)
- (72) Inventors: **Chia-Teh Chen**, Taipei (TW);
Meng-Chu Lee, Taipei (TW)
- (73) Assignee: **LUMINEX INTERNATIONAL CO., LTD.**, Mahe (SC)
- (**) Term: **15 Years**
- (21) Appl. No.: **29/697,912**
- (22) Filed: **Jul. 12, 2019**

6,991,431 B2	1/2006	Ching Wen
D535,388 S	1/2007	Gajewski
D543,617 S	5/2007	Liu
D608,938 S	1/2010	Pedersen
D629,501 S	12/2010	Liu
D630,312 S	1/2011	Spaulding
D630,724 S	1/2011	Liu
D631,536 S	1/2011	Wiegel et al.
D663,829 S *	7/2012	Allen D23/377
D671,203 S	11/2012	Wang
D675,720 S	2/2013	Martin Conillas
D679,794 S	4/2013	Allen et al.
D705,970 S	5/2014	Ertze
D706,411 S	6/2014	Wang
D707,808 S	6/2014	Wang
D715,421 S	10/2014	Schulzman
D716,438 S	10/2014	Liu
D741,989 S	10/2015	Wang

(Continued)

Related U.S. Application Data

- (63) Continuation of application No. 29/650,269, filed on Jun. 5, 2018, now Pat. No. Des. 861,153.
- (51) **LOC (12) Cl.** **23-04**
- (52) **U.S. Cl.**
USPC **D23/377**
- (58) **Field of Classification Search**
USPC D23/370-385, 411-414; D26/59, 49, 72,
D26/89, 118, 124; D12/214, 339, 344
CPC F04D 25/088; F04D 29/38; F04D 29/384;
F04D 29/386; F21V 33/0096
See application file for complete search history.

References Cited

U.S. PATENT DOCUMENTS

D268,521 S	4/1983	Clemente	
D313,669 S *	1/1991	Sonneman D26/109
D346,439 S	4/1994	Liu	
5,575,624 A	11/1996	Bogage	
D407,155 S *	3/1999	Liu D23/377
6,733,241 B2 *	5/2004	Bird F04D 25/088 416/238
D509,295 S	9/2005	Stauffer et al.	

Primary Examiner — Cathron C Brooks

Assistant Examiner — Sharon S Oum

(74) *Attorney, Agent, or Firm* — Li & Cai Intellectual Property (USA) Office

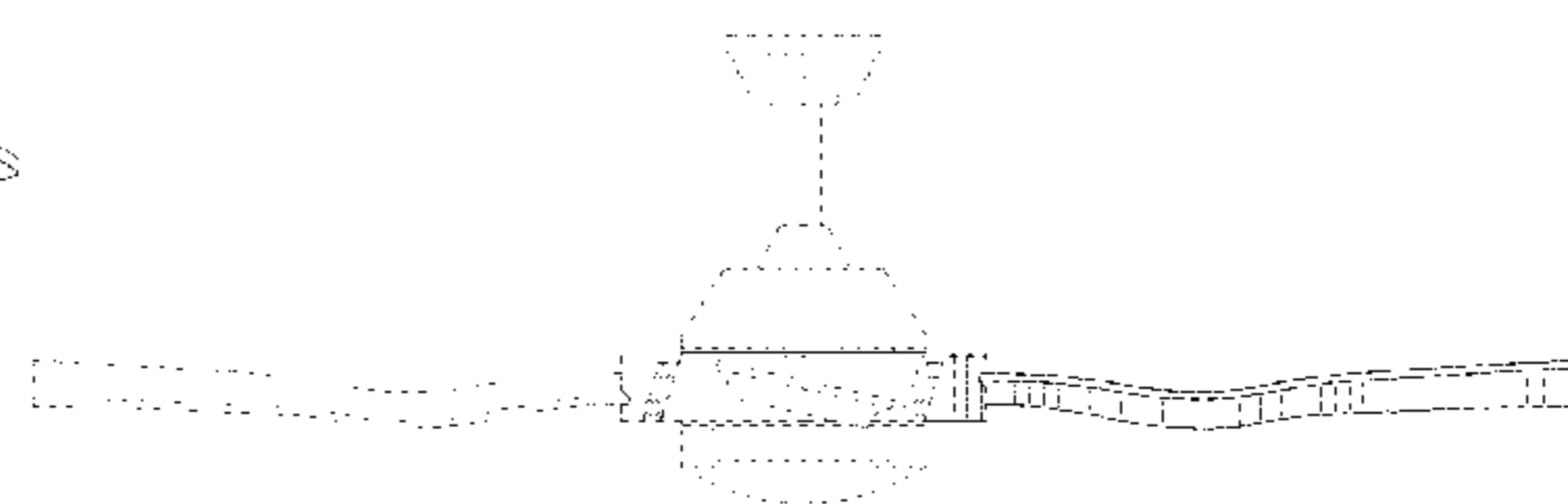
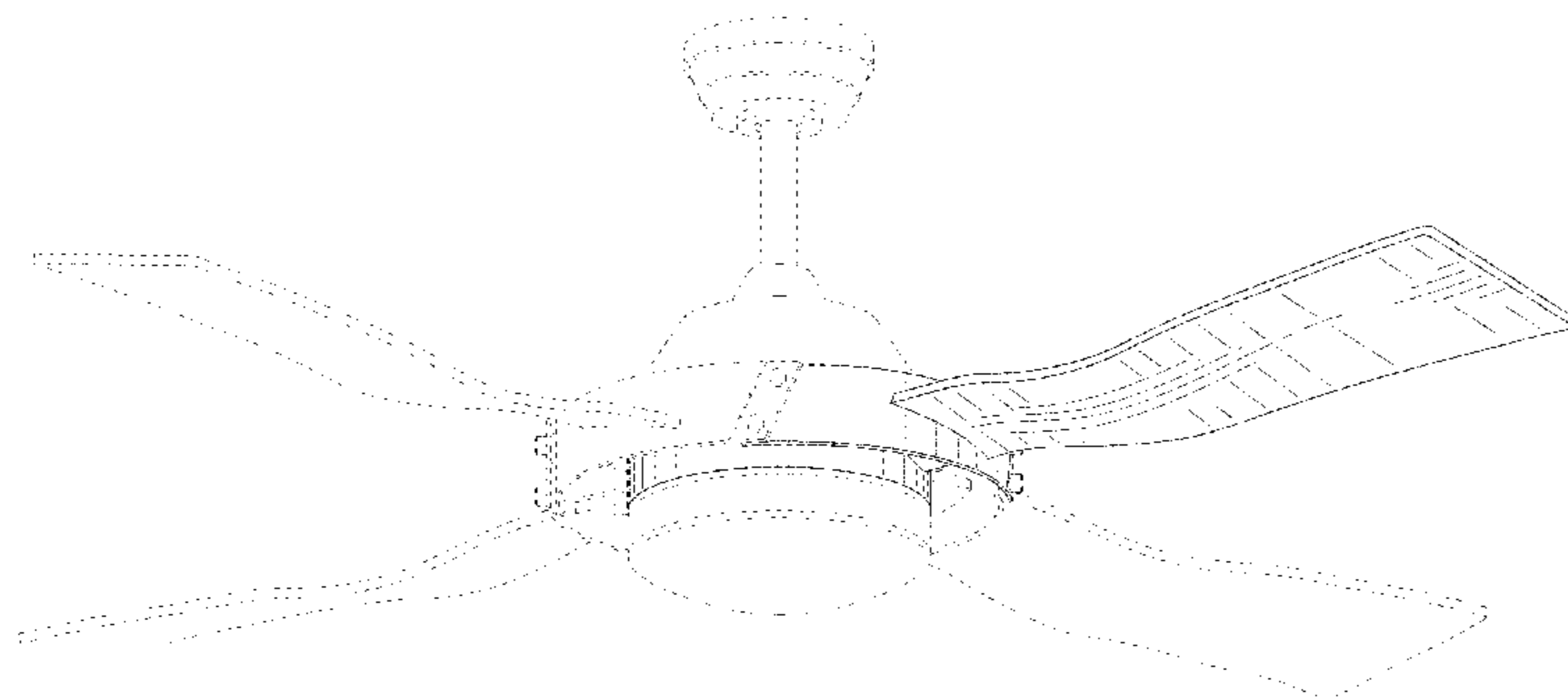
(57) **CLAIM**

The ornamental design for a ceiling fan with light, as shown and described.

DESCRIPTION

FIG. 1 is a front, right and bottom perspective view of a ceiling fan with light showing our new design;
 FIG. 2 is a front elevational view thereof;
 FIG. 3 is a rear elevational view thereof;
 FIG. 4 is a left elevational view thereof;
 FIG. 5 is a right elevational view thereof;
 FIG. 6 is a top plan view thereof;
 FIG. 7 is a bottom plan view thereof; and,
 FIG. 8 is a rear, left and top perspective view thereof.
 The broken lines illustrate portions of the ceiling fan with light that form no part of the claimed design.

1 Claim, 8 Drawing Sheets



(56)

References Cited

U.S. PATENT DOCUMENTS

D744,629	S	12/2015	Wang	
D761,949	S	7/2016	Badarello	
D779,648	S	2/2017	Badarello et al.	
D799,661	S *	10/2017	Holmes	D23/377
D799,688	S	10/2017	Wang	
D810,271	S *	2/2018	Holmes	D23/413
D811,578	S	2/2018	Badarello	
D825,736	S	8/2018	Badarello	
D844,771	S	4/2019	Badarello	
D844,772	S	4/2019	Badarello	
D861,153	S *	9/2019	Chen	D23/377
2012/0195767	A1	8/2012	Gervais et al.	
2017/0045197	A1 *	2/2017	Rossi	F21V 1/08

* cited by examiner

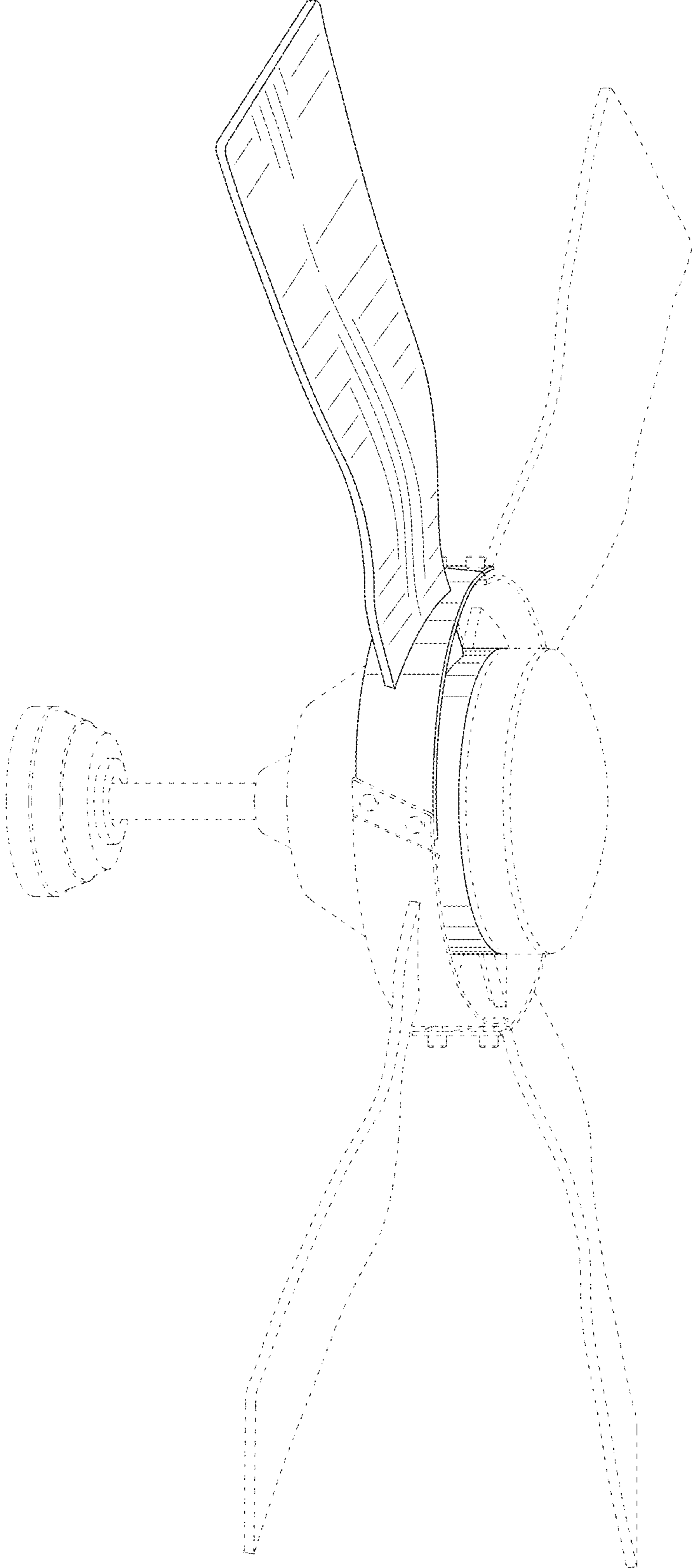


FIG. 1

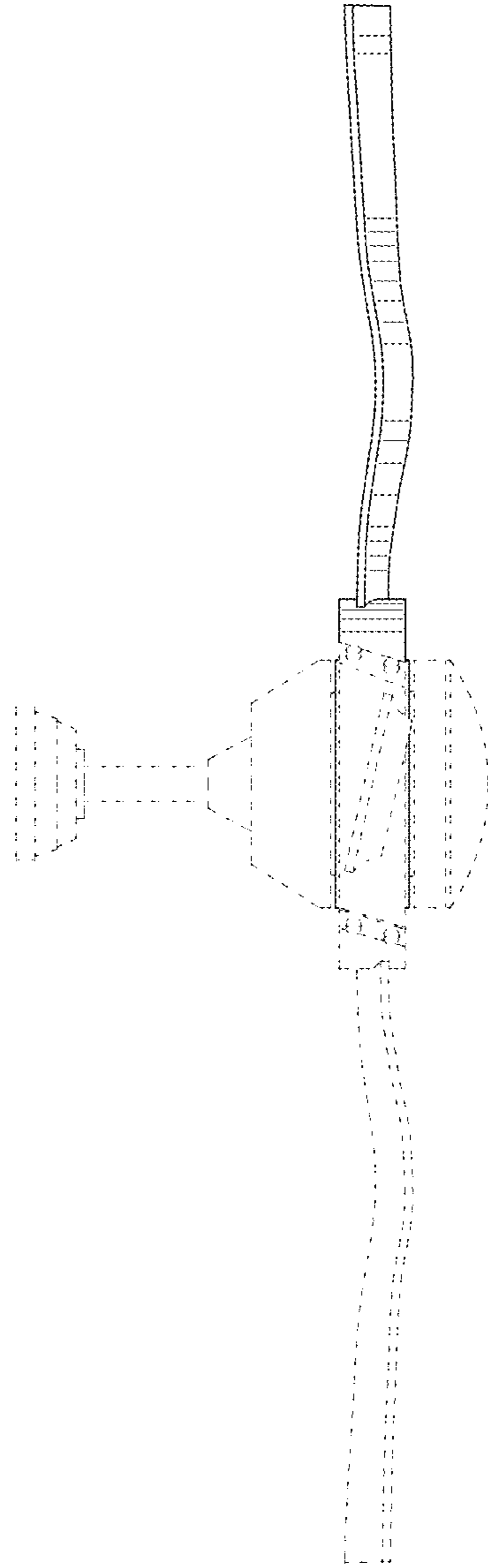


FIG. 2

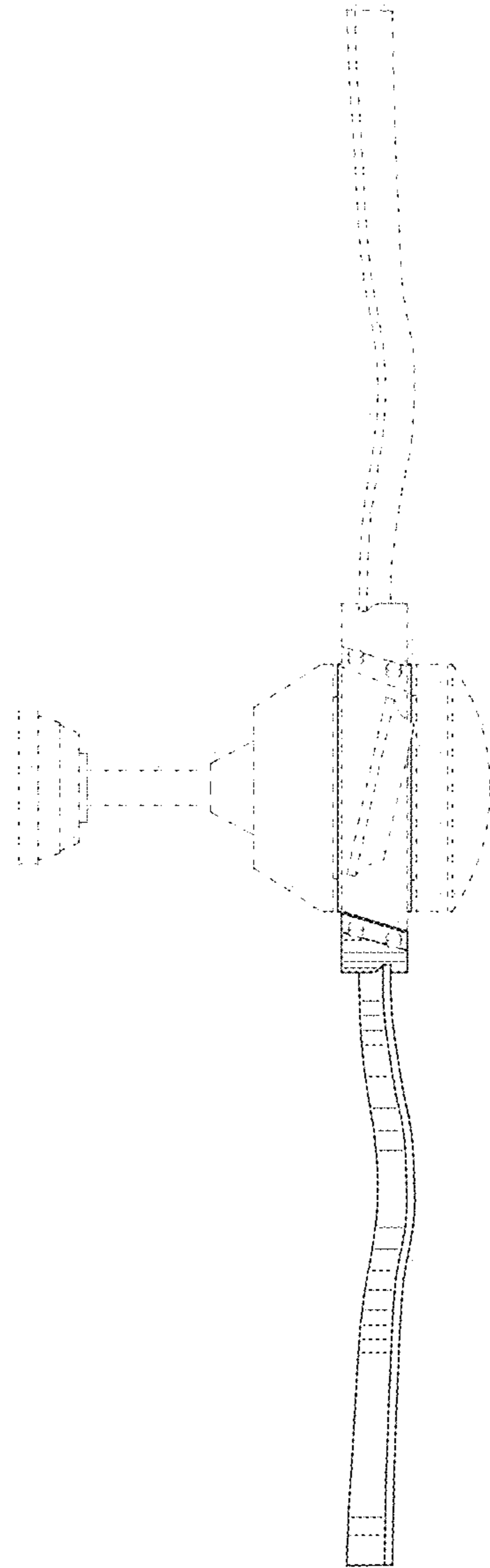


FIG. 3

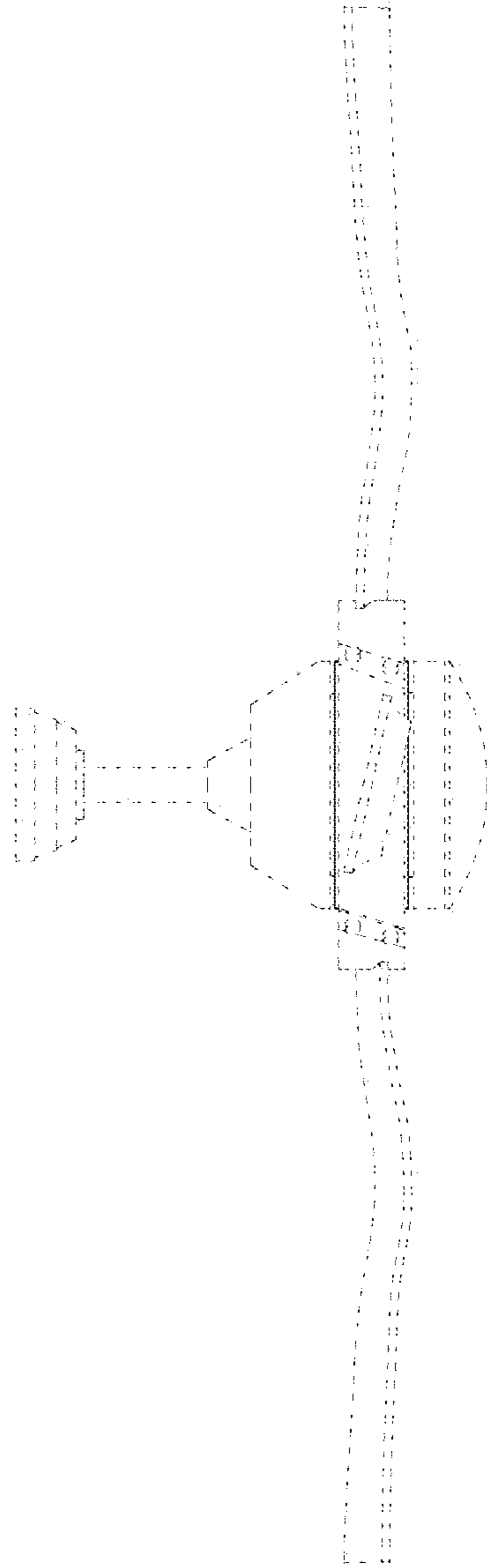


FIG. 4

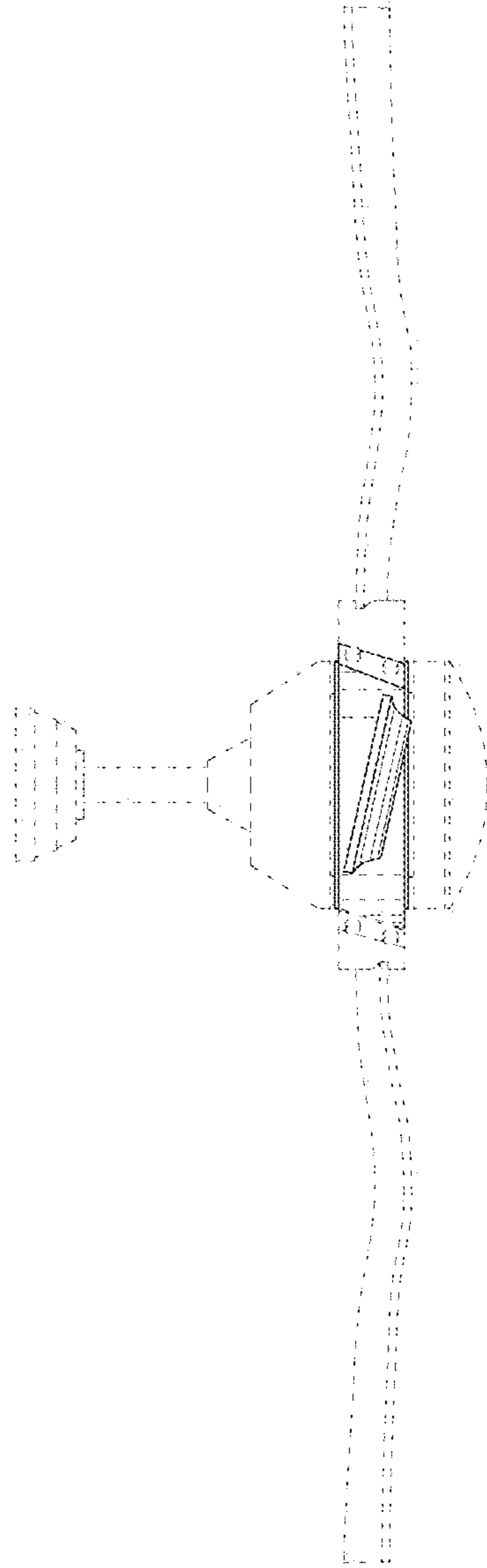


FIG. 5

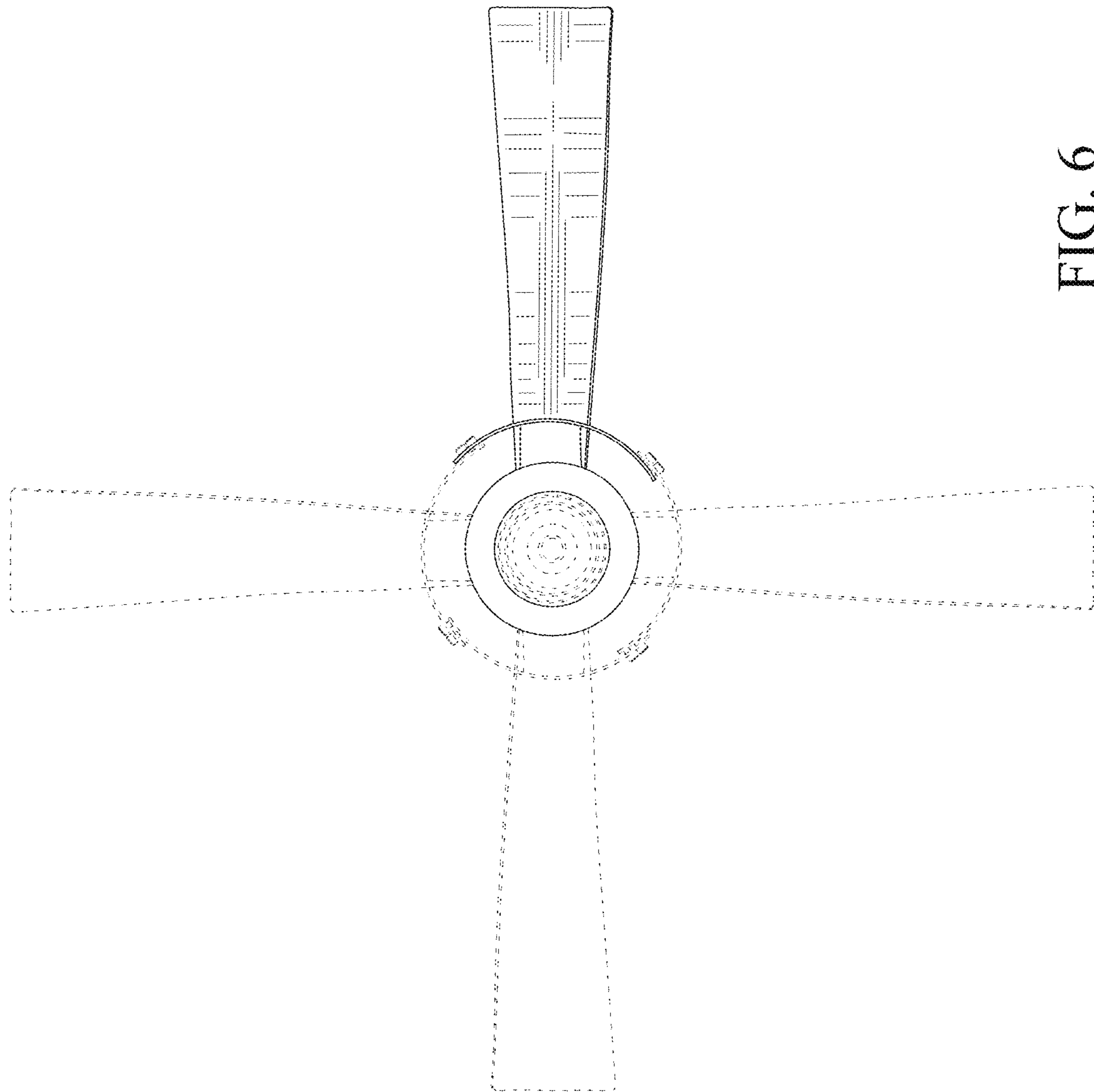


FIG. 6

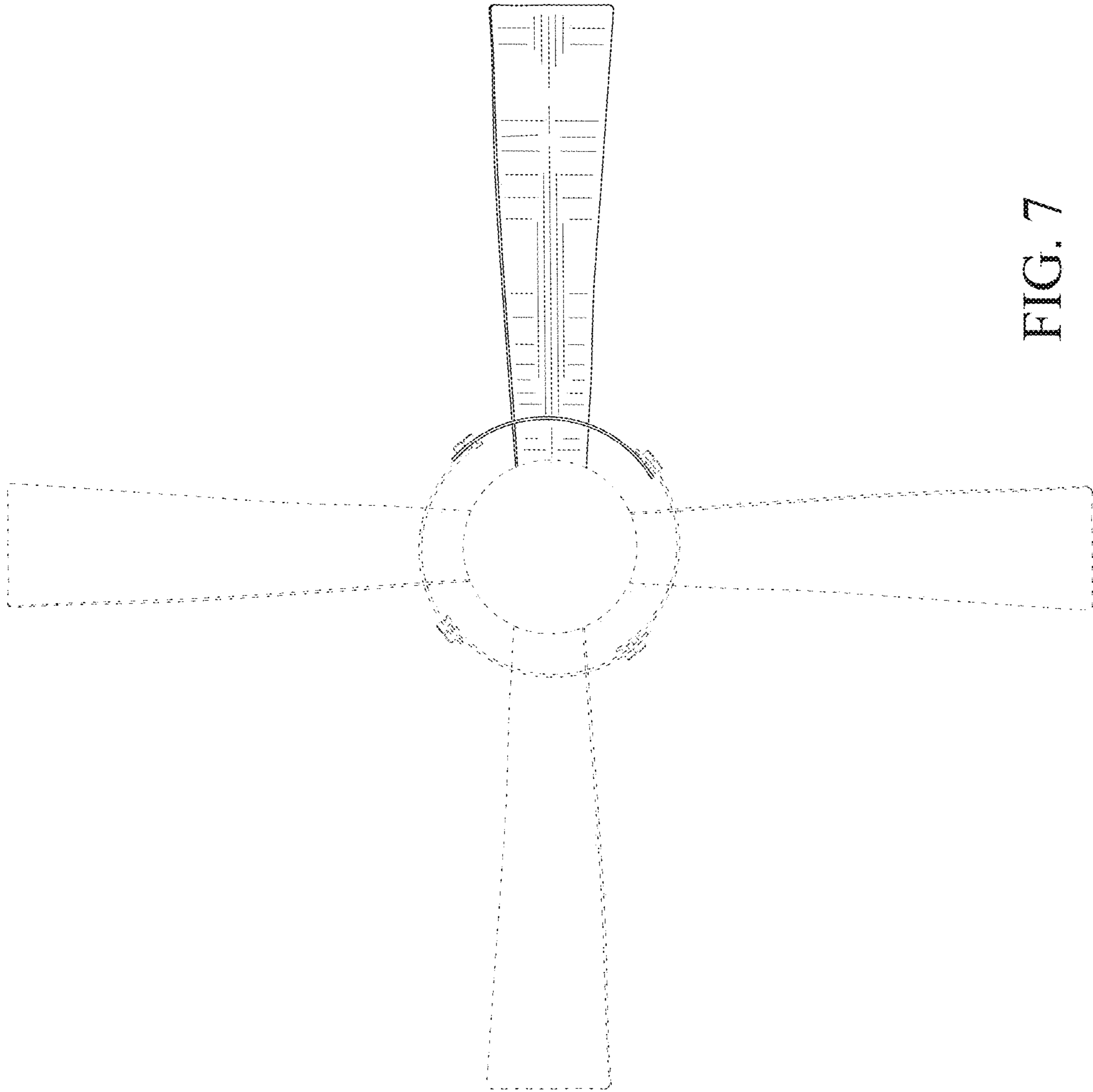


FIG. 7

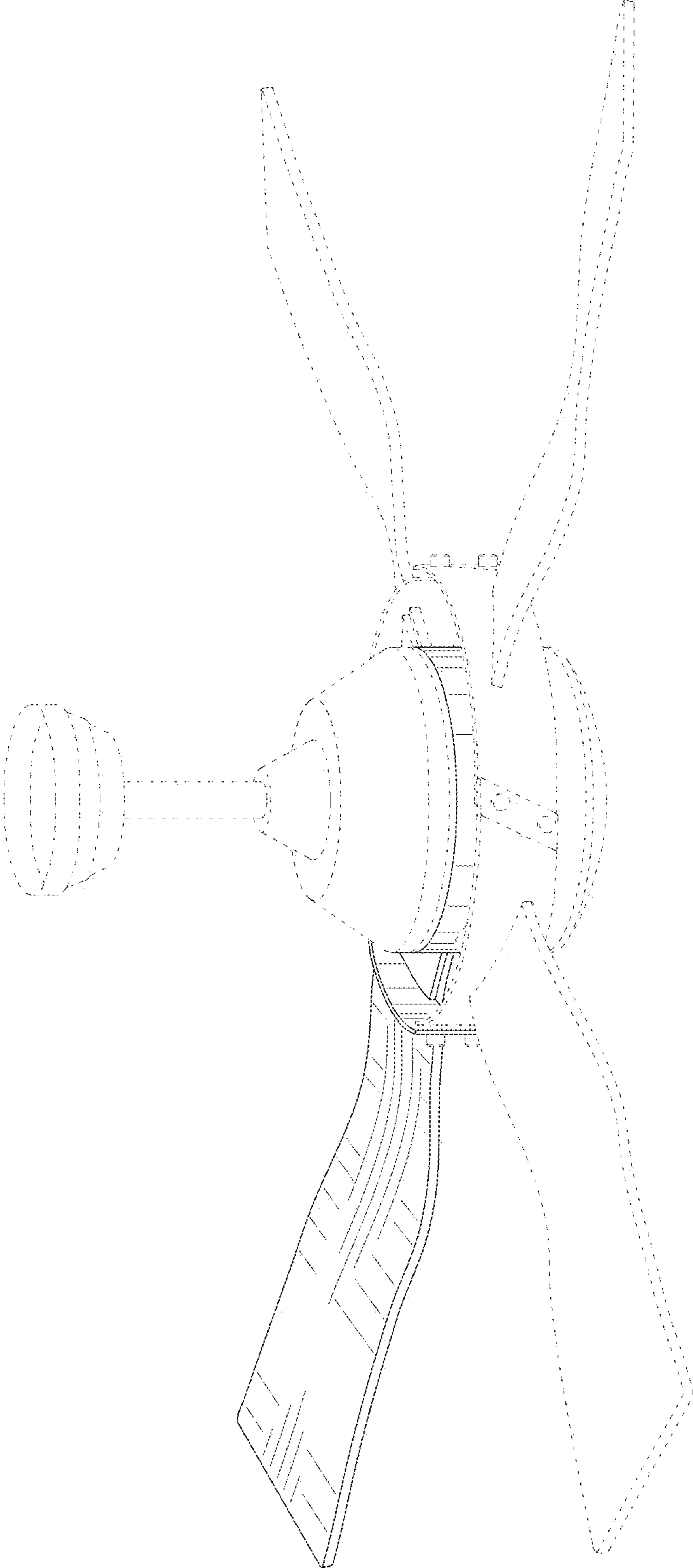


FIG. 8