



US00D890321S

(12) **United States Design Patent** (10) **Patent No.:** **US D890,321 S**
Holmes et al. (45) **Date of Patent:** **** Jul. 14, 2020**

- (54) **CEILING FAN**
- (71) Applicant: **HUNTER FAN COMPANY**,
Memphis, TN (US)
- (72) Inventors: **Christine Holmes**, Memphis, TN (US);
Patrick R. O'Connell, Germantown,
TN (US)
- (73) Assignee: **Hunter Fan Company**, Memphis, TN
(US)
- (**) Term: **15 Years**
- (21) Appl. No.: **29/636,810**
- (22) Filed: **Feb. 12, 2018**
- (51) **LOC (12) Cl.** **23-04**
- (52) **U.S. Cl.**
USPC **D23/377**
- (58) **Field of Classification Search**
USPC D23/370–385, 411–414; D26/59, 85, 86,
D26/89, 90
CPC F04D 25/088; F04D 29/38; F04D 29/384;
F04D 29/386; F21V 33/0096
See application file for complete search history.

(56) **References Cited**

U.S. PATENT DOCUMENTS

D169,972 S *	7/1953	Glatthar et al.	D26/89
D314,618 S	2/1991	Yen		
D331,101 S *	11/1992	Rezek	D23/377
D411,615 S	6/1999	Lo		
D451,191 S	11/2001	Goodman		
D506,565 S *	6/2005	Yurich	D26/85
D573,243 S	7/2008	Pan		
D574,945 S	8/2008	Hidalgo		
D584,810 S	1/2009	Pickett		
D596,734 S *	7/2009	Kihara	D23/377
D609,324 S *	2/2010	Lee	D23/377
D628,687 S	12/2010	Yao		
D704,819 S *	5/2014	Wang	D23/411

D706,406 S	6/2014	Wang		
D706,477 S *	6/2014	Wang	D26/59
D707,336 S *	6/2014	Pan	D23/377
D743,528 S *	11/2015	Wang	D23/411
D759,799 S	6/2016	Wang		
D773,640 S	12/2016	Wang		

(Continued)

OTHER PUBLICATIONS

<http://www.fanimation.com/products/index.php/fans/zonix-led.html>, Fanimation Zonix LED Ceiling Fan, Model No. FP4650, accessed Feb. 1, 2018.

(Continued)

Primary Examiner — Cathron C Brooks
Assistant Examiner — Sharon S Oum
(74) *Attorney, Agent, or Firm* — McGarry Bair PC

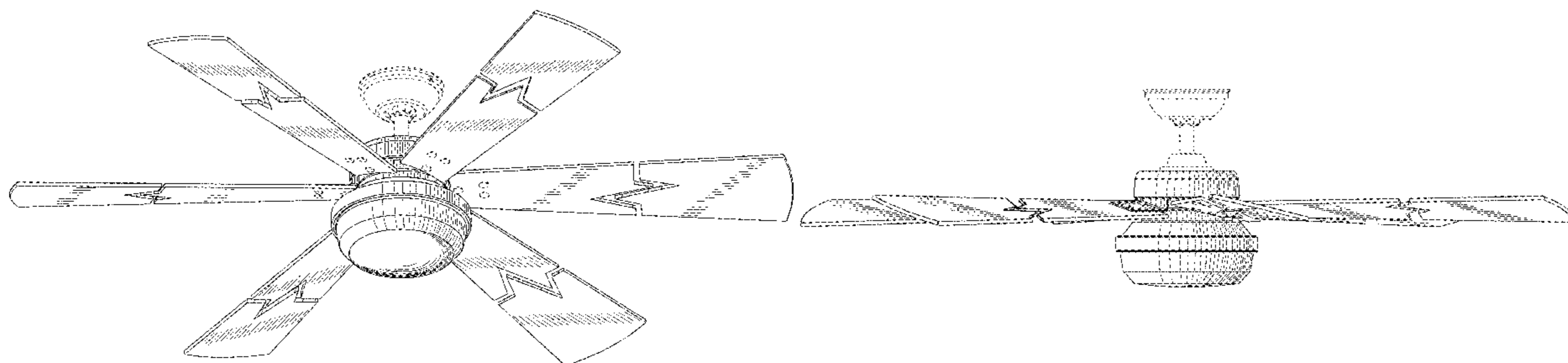
(57) **CLAIM**

The ornamental design for a ceiling fan, as shown and described.

DESCRIPTION

FIG. 1 is a top perspective view of a ceiling fan, showing our new design;
FIG. 2 is a bottom perspective view of the ceiling fan of FIG. 1;
FIG. 3 is a top view of the ceiling fan of FIG. 1;
FIG. 4 is a bottom view of the ceiling fan of FIG. 1;
FIG. 5 is a front view of the ceiling fan of FIG. 1, with the rear view being identical thereto; and,
FIG. 6 is a right side view of the ceiling fan of FIG. 1, with the left side view being identical thereto.
Portions of the ceiling fan that are shown in broken lines form no part of the claimed design. The ceiling fan blades are shown with a symbolic break in their length. The appearance of any portion of the ceiling fan blade between the break lines forms no part of the claimed design.

1 Claim, 6 Drawing Sheets



(56)

References Cited

U.S. PATENT DOCUMENTS

D785,155	S	*	4/2017	Wang	D23/377
D795,412	S	*	8/2017	Schulzman	D23/377
D796,024	S	*	8/2017	Holmes	D23/377
D799,660	S	*	10/2017	Jones	D23/377
D799,668	S	*	10/2017	Wang	D23/377
D800,288	S	*	10/2017	Jones	D23/377
D800,290	S	*	10/2017	Searle	D23/377
D800,370	S	*	10/2017	Sonneman	D26/89
D804,010	S	*	11/2017	Guthrie	D23/377
D805,174	S	*	12/2017	Guthrie	D23/377
D810,915	S	*	2/2018	Guthrie	D23/377
D824,558	S	*	7/2018	Guthrie	D26/59
D825,052	S	*	8/2018	Guthrie	D23/411
D855,172	S	*	7/2019	Holmes	D23/411
2005/0214145	A1	*	9/2005	Grinbergs	F04D 17/165 417/423.14

OTHER PUBLICATIONS

<http://ceilingfans.emerson.com/shop/en/fan/fans-s-emerson-fans/fans-s-transitional/portland-eco-fan-p-cf965>, Emerson Portland Eco Brushed Steel Ceiling Fan with Dark Mahogany/Walnut Finish Blades and Opal Matte Glass, Model No. P-CF965, accessed Feb. 1, 2018.

<https://www.amazon.com/Emerson-Ceiling-CF430BS-Highrise-Control/dp/B00HS64V0E>, Emerson Highrise Modern ceiling Fan with Light and Wall Control, 50 inch Blades in Brushed Steel Finish, Model No. CF430BS, accessed Feb. 1, 2018.

<http://www.craftmade.com/Craftmade-MO56CH4-Chrome-Ceiling-Fan.HTM>, Craftmade Midoro 56" Ceiling Fan with Blades and Light, Model No. MO56CH4, accessed Feb. 1, 2018.

<http://www.montecarlofans.com/32462/52-Dakota-Fan-Heritage-Bronze-5DKR52HBD.html>, Monte Carlo 52" Dakota Fan in Heritage Bronze (Discontinued), Product No. 5DKR52HBD, accessed Feb. 1, 2018.

<http://www.minkagroup.net/products/f734-gl>, Minka Strata 52" Ceiling Fan in galvanized Finish with 4 (ABS) Blades in Silver, Model No. F734-GL, accessed Feb. 1, 2018.

<https://www.amazon.com/Kichler-Lighting-300181OZ-52-Inch-Ceiling/dp/B004NXX15G>, Kichler Lacey 52" Ceiling Fan in Old Bronze, Model No. 300181OZ, accessed Feb. 1, 2018.

https://www.amazon.com/Fanimation-FP7951OB-Breckenfield-Rubbed-Bronze/dp/B009E3XDNU/ref=sr_1_1?s=hi&ie=UTF8&qid=1517586383&sr=1-1&keywords=Fanimation+FP7951OB+Breckenfield, Fanimation Breckenfield 52" Ceiling Fan in Oil-Rubbed Bronze, Model No. FP7951OB, accessed Feb. 1, 2018.

<https://www.craftmade.com/braxton-brx52>, Craftmade Braxton 52" Ceiling Fan with Blades Included, Model No. BRX52, accessed Feb. 1, 2018.

<https://www.menards.com/main/lighting-ceiling-fans/ceiling-fans/shop-all-ceiling-fans/turn-of-the-century-reg-latitude-52-matte-black-contemporary-damp-rated-ceiling-fan/p-1444433463117-c-7487.htm?tid=-7859959171264654652&ipos=46>, Turn of the Century Latitude 52" Matte Black, Contemporary Damp-Rated Ceiling Fan, Model No. 30136, accessed Feb. 1, 2018.

<https://www.craftmade.com/triad-tri54>, Craftmade 54" Ceiling Fan with Blades Included, Model No. TRI54BNK3, accessed Feb. 1, 2018.

<https://www.craftmade.com/pub/media/guides/TRI54.pdf>, Craftmade Triad Installation Guide for Model TRI54BNK3, accessed Sep. 27, 2017.

<http://www.craftmade.com/beltre-bel52bnk3crw>, 52" Ceiling Fan with Blades and Light, Model No. BEL52BNK3CRW, accessed Feb. 1, 2018.

* cited by examiner

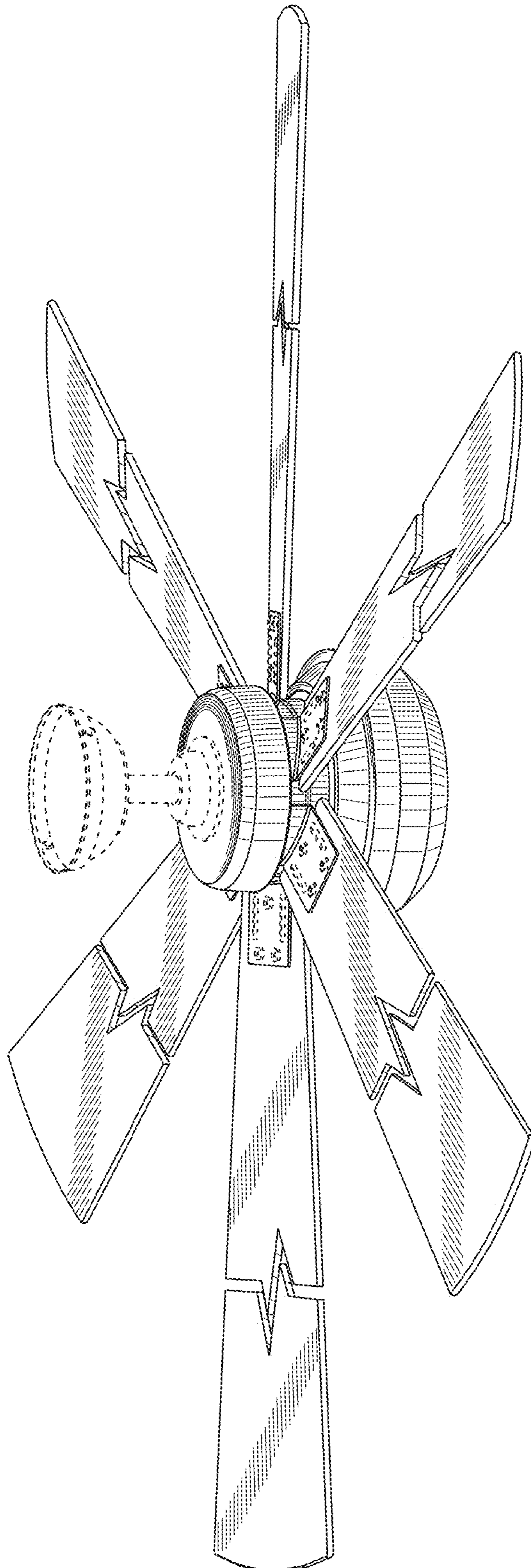


FIG. 1

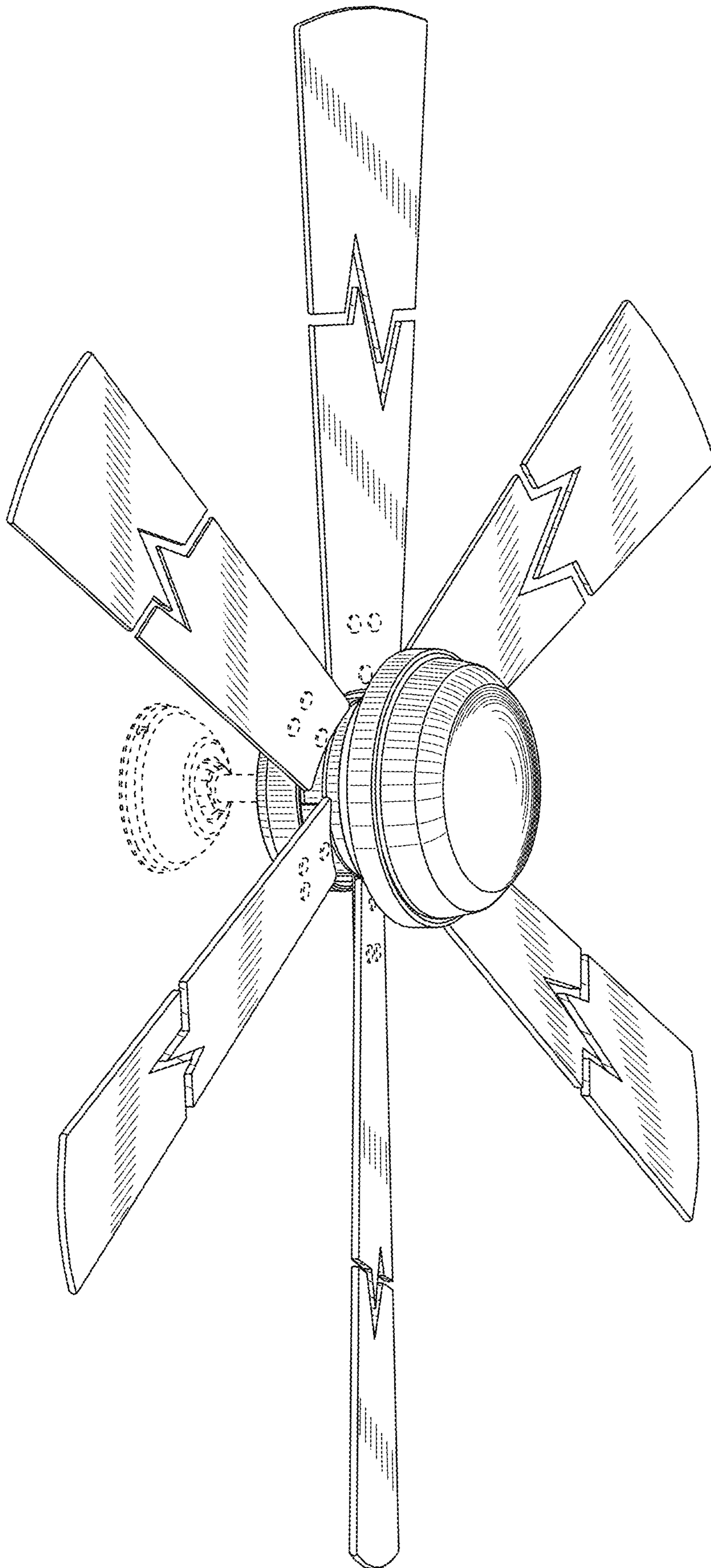


FIG. 2

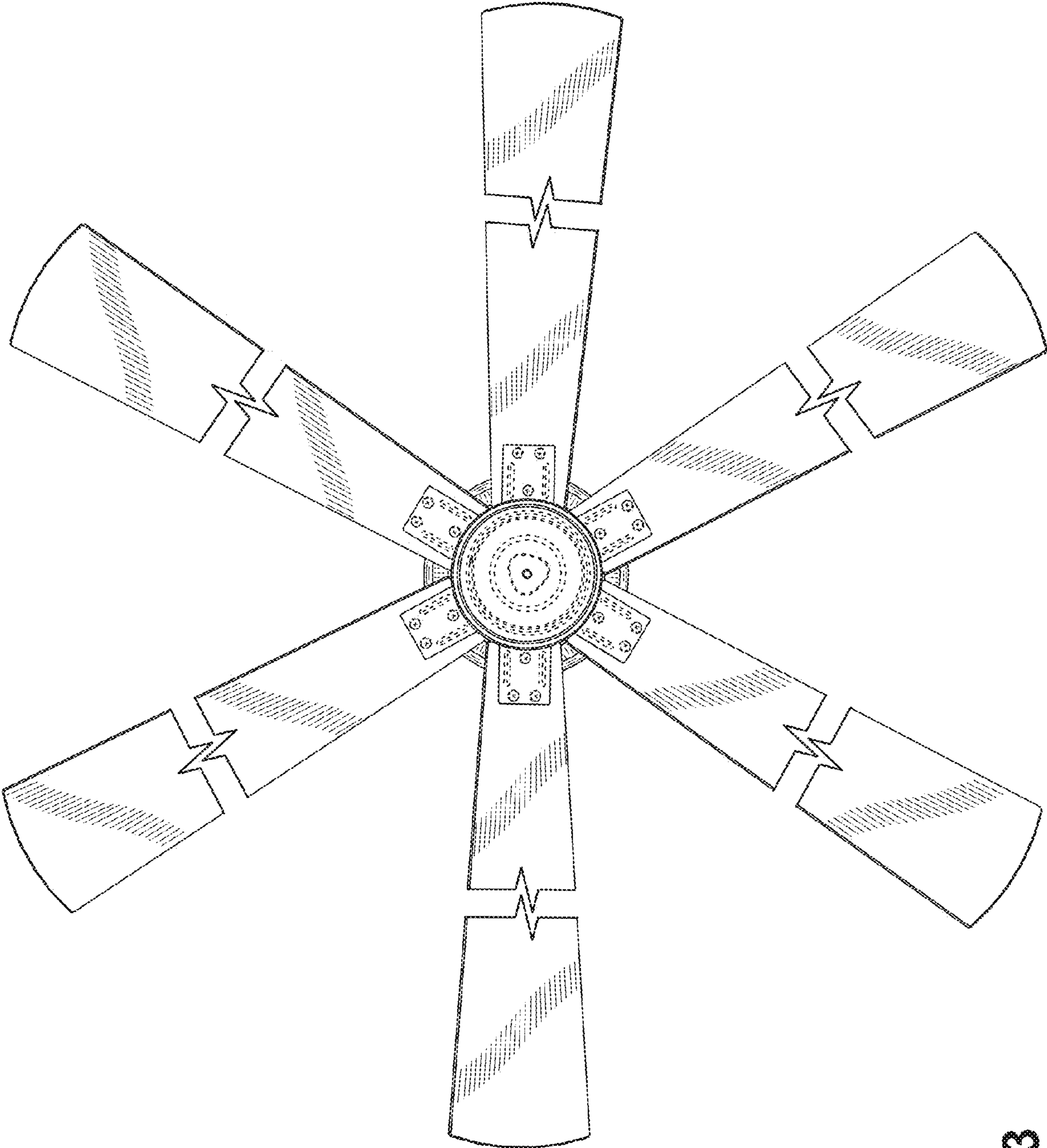


FIG. 3

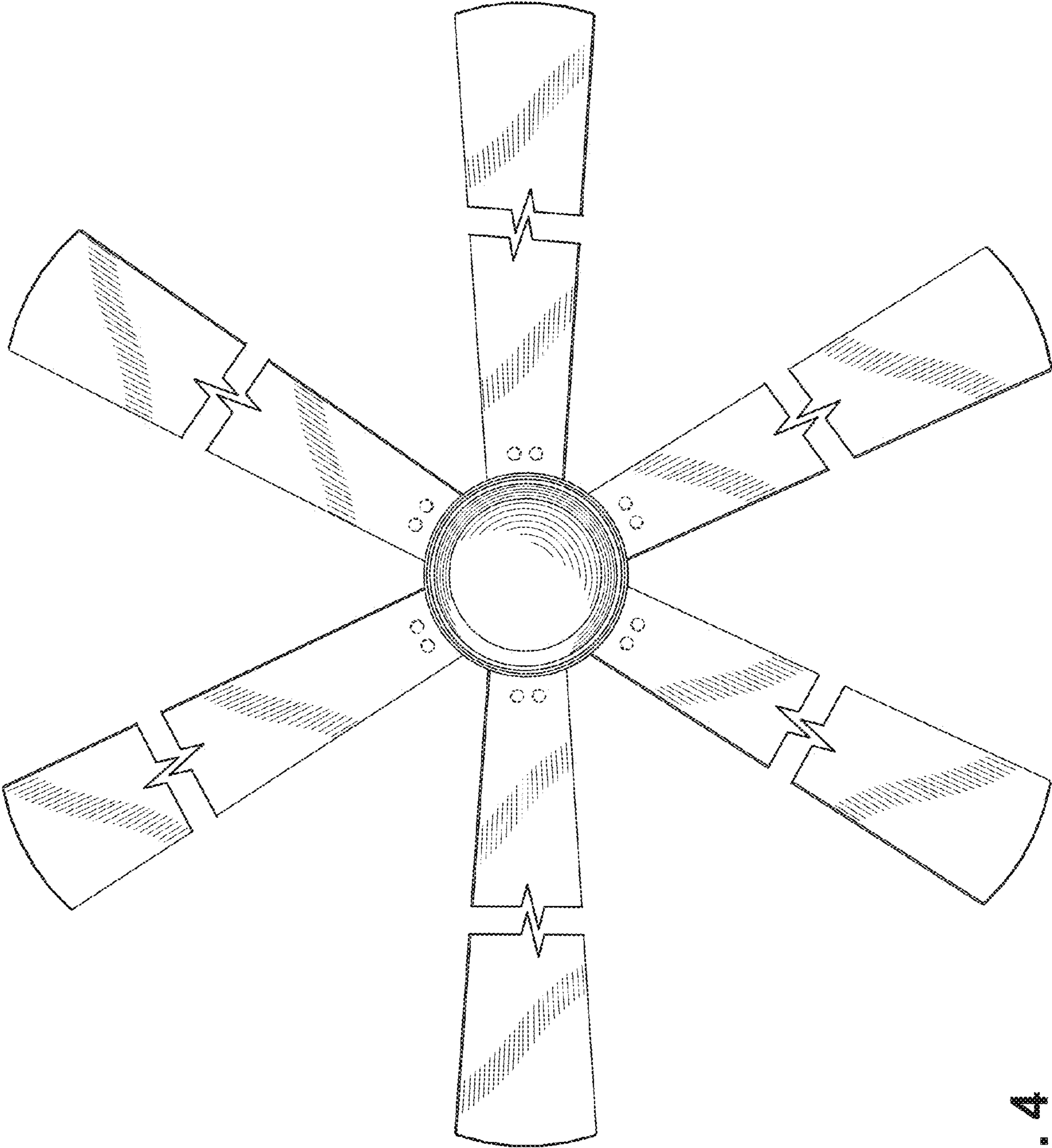


FIG. 4

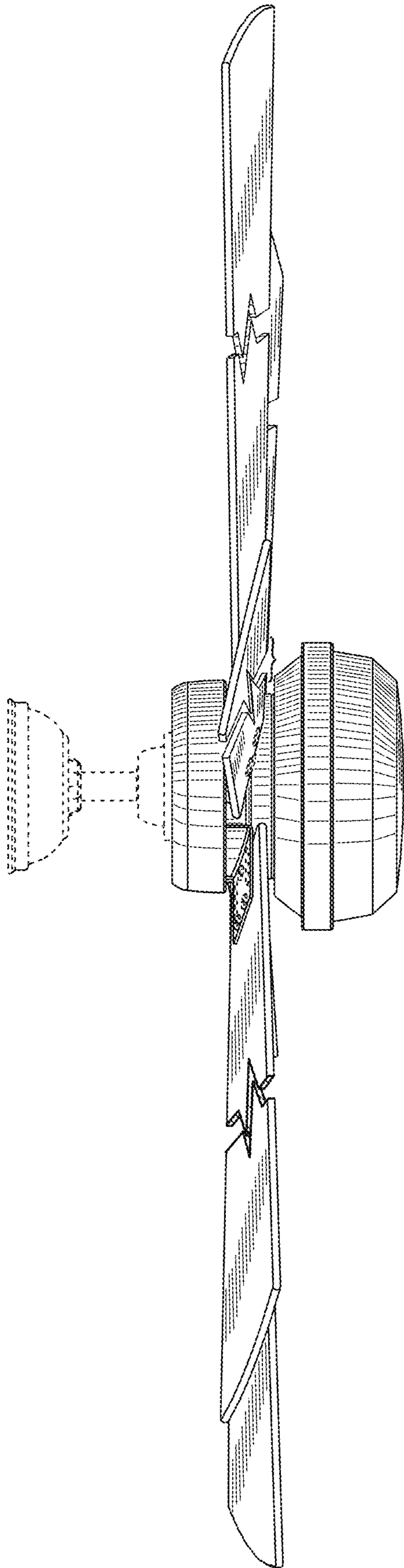


FIG. 5

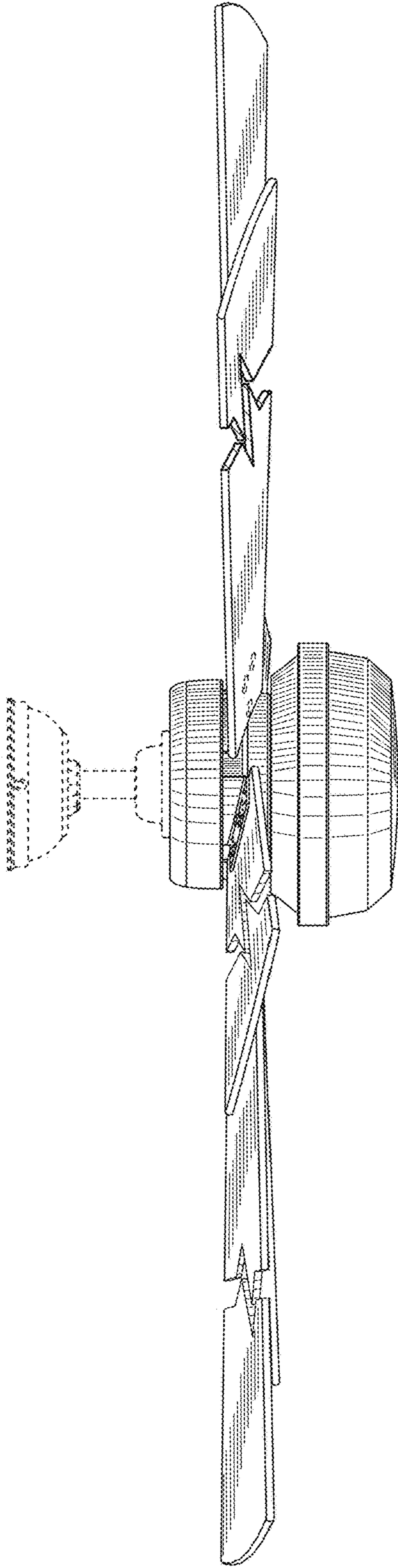


FIG. 6