



US00D890320S

(12) **United States Design Patent** (10) **Patent No.:** **US D890,320 S**  
**Holmes** (45) **Date of Patent:** **\*\* Jul. 14, 2020**

- (54) **CEILING FAN**
- (71) Applicant: **HUNTER FAN COMPANY**,  
Memphis, TN (US)
- (72) Inventor: **Christine Holmes**, Memphis, TN (US)
- (73) Assignee: **Hunter Fan Company**, Memphis, TN  
(US)
- (\*\*) Term: **15 Years**
- (21) Appl. No.: **29/635,920**
- (22) Filed: **Feb. 5, 2018**
- (51) **LOC (12) Cl.** ..... **23-04**
- (52) **U.S. Cl.**  
USPC ..... **D23/377**
- (58) **Field of Classification Search**  
USPC ..... D23/370–385, 411–414; D26/59, 85, 86,  
D26/89, 90  
CPC ..... F04D 25/088; F04D 29/38; F04D 29/384;  
F04D 29/386; F21V 33/0096  
See application file for complete search history.

- D743,528 S \* 11/2015 Wang ..... D23/411
  - D759,799 S \* 6/2016 Wang ..... D23/385
  - D783,796 S \* 4/2017 Badarello ..... D23/385
- (Continued)

**OTHER PUBLICATIONS**

<https://www.lowes.com/pd/Hunter-Sentinel-52-in-Brushed-Slate-Indoor-Downrod-Or-Close-Mount-Ceiling-Fan-with-Light-Kit-and-Remote-3-Blade/1000091665>, Hunter Fan 52-in. Brushed Slate Indoor Downrod or Close Mount Ceiling Fan with Light Kit and Remote (3-Blade), Model No. 59211, accessed Sep. 21, 2017.

(Continued)

*Primary Examiner* — Cathron C Brooks  
*Assistant Examiner* — Sharon S Oum  
(74) *Attorney, Agent, or Firm* — McGarry Bair PC

(57) **CLAIM**

The ornamental design for a ceiling fan, as shown and described.

**DESCRIPTION**

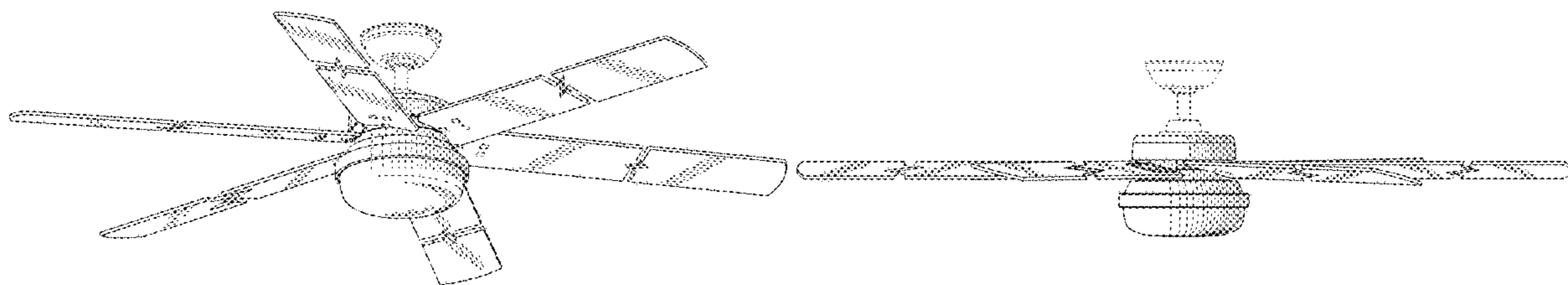
FIG. 1 is a top perspective view of a ceiling fan, showing my new design;  
FIG. 2 is a bottom perspective view of the ceiling fan of FIG. 1;  
FIG. 3 is a top view of the ceiling fan of FIG. 1;  
FIG. 4 is a bottom view of the ceiling fan of FIG. 1;  
FIG. 5 is a right side view of the ceiling fan of FIG. 1, with the left side view being identical thereto; and,  
FIG. 6 is a front view of the ceiling fan of FIG. 1, with the rear view being identical thereto.  
Portions of the ceiling fan shown in broken lines form no part of the claimed design. The ceiling fan blades are shown with a symbolic break in their length. The appearance of any portion of the ceiling fan blade between the break lines forms no part of the claimed design.

**1 Claim, 6 Drawing Sheets**

(56) **References Cited**

U.S. PATENT DOCUMENTS

D357,978 S *	5/1995	Young	.....	D23/377
D384,737 S	10/1997	Gee, II		
D420,280 S	8/2000	Huang		
D506,565 S *	6/2005	Yurich	.....	D26/85
D545,422 S *	6/2007	Glasbrenner	.....	D23/377
D596,734 S *	7/2009	Kihara	.....	D23/377
D607,600 S *	1/2010	Keith	.....	D26/104
D609,324 S *	2/2010	Lee	.....	D23/377
D609,799 S *	2/2010	Lee	.....	D23/377
D633,644 S *	3/2011	Sprengers	.....	D26/89
D704,819 S *	5/2014	Wang	.....	D23/411
D706,406 S *	6/2014	Wang	.....	D23/385
D706,477 S *	6/2014	Wang	.....	D26/59
D707,336 S *	6/2014	Pan	.....	D23/377
D726,299 S	4/2015	Schulzman		
9,022,731 B2 *	5/2015	Seccareccia	.....	F04D 17/16 415/206



(56)

References Cited

U.S. PATENT DOCUMENTS

D796,024	S	8/2017	Holmes	
D799,020	S *	10/2017	Guthrie	D23/377
D799,668	S *	10/2017	Wang	D23/377
D800,290	S *	10/2017	Searle	D23/377
D800,891	S *	10/2017	McRoberts	D23/377
D804,010	S *	11/2017	Guthrie	D23/377
D804,639	S *	12/2017	Guthrie	D23/377
D804,641	S *	12/2017	McRoberts	D23/377
D805,174	S *	12/2017	Guthrie	D23/377
D805,175	S *	12/2017	Haggar	D23/377
D805,625	S *	12/2017	Haggar	D23/377
D808,510	S *	1/2018	Gajewski	D23/377
D810,915	S *	2/2018	Guthrie	D23/377
D810,917	S *	2/2018	Holmes	D23/377
D810,920	S *	2/2018	Haggar	D23/377
9,897,095	B2 *	2/2018	Botkin	F04D 25/088
D818,104	S *	5/2018	Holmes	D23/377
D822,192	S *	7/2018	Haggar	D23/411
D824,558	S *	7/2018	Guthrie	D26/59
D857,287	S *	8/2019	Holmes	D26/128
2005/0214145	A1 *	9/2005	Grinbergs	F04D 17/165 417/423.14
2018/0128277	A1 *	5/2018	Chia	F04D 25/088

OTHER PUBLICATIONS

<http://www.hunterfan.com/Ceiling-Fans/Windemere?ModelNumber=59039>, Hunter Fan Windemere, 54" Ceiling Fan with 5 Burnished Walnut/Burnished Mahogany Reversible Veneer Blades Included. Brushed Nickel Finish, Model No. 59039, accessed Sep. 21, 2017.  
<http://www.homedepot.com/p/Replacement-Ceiling-Fan-Blades->

Beech-Walnut-5-Pack-FB14909/206300370?MERCH=REC\_-PIPHorizontal1-rr\_-206474791\_-206300370\_-N, Replacement Ceiling Fan Blades Beech/Walnut (5-pack) available online through Home Depot, Model No. FB14909, accessed Sep. 27, 2017.  
<https://www.lowes.com/pd/Casablanca-Aris-54-in-Brushed-Cocoa-Indoor-Outdoor-Downrod-Or-Close-Mount-Ceiling-Fan-and-Remote-4-Blade-ENERGY-STAR/50265755>, Casablanca Aris 54-in. Brushed Cocoa Indoor/Outdoor Downrod or Close Mount Ceiling Fan and Remote (4-Blade), Model No. 59124, accessed Sep. 27, 2017.  
[http://www.fanimation.com/products/index\\_php/blades/b7912-63-sweep-buttonwood-levon-blades.html](http://www.fanimation.com/products/index_php/blades/b7912-63-sweep-buttonwood-levon-blades.html), Fanimation 63" Sweep Buttonwood Levon Blades, Model No. B7912, accessed Sep. 27, 2018.  
<http://www.kichler.com/products/product/52-inch-vassar-led-fan-ni-330002ni.aspx>, Kichler Vasser Collection, 52 Inch Vassar LED Fan NI (Brushed Nickel), Model No. 33002NI, accessed Jan. 30, 2018.  
<http://www.fanimation.com/products/index.php/blades/54-inch-buttonwood-blade-set-142.html>, Fanimation 54-inch Sweep Distinction Buttonwood Blade Set, Model No. B354, accessed Jan. 30, 2018.  
<http://ceilingfans.emerson.com/en/shop/fan/maui-bay-blades-fan-b50hew>, Emerson Maui Bay Blades, Hand Carved Walnut Solid Wood Blade, Model No. B40HCW, accessed Aug. 10, 2016.  
<http://www.hunterfan.com/Ceiling-Fans/Ocala?ModelNumber=59214>, Hunter Fan Ocala, 52" Ceiling Fan in Noble Bronze Finish, Model No. 59214, accessed Sep. 27, 2017.  
<https://www.menards.com/main/lighting-ceiling-fans/ceiling-fans/indoor-ceiling-fans/phil-1-light-44-in-satin-nickel-ceiling-fan/p-1465526967937-c-7488.htm?tid=8046650896828152404&ipos=35>, Phil 1-Light 44-in. Satin Nickel Ceiling Fan available online through Medards, Model No. MEN-KDL013693, accessed Sep. 27, 2017.

\* cited by examiner

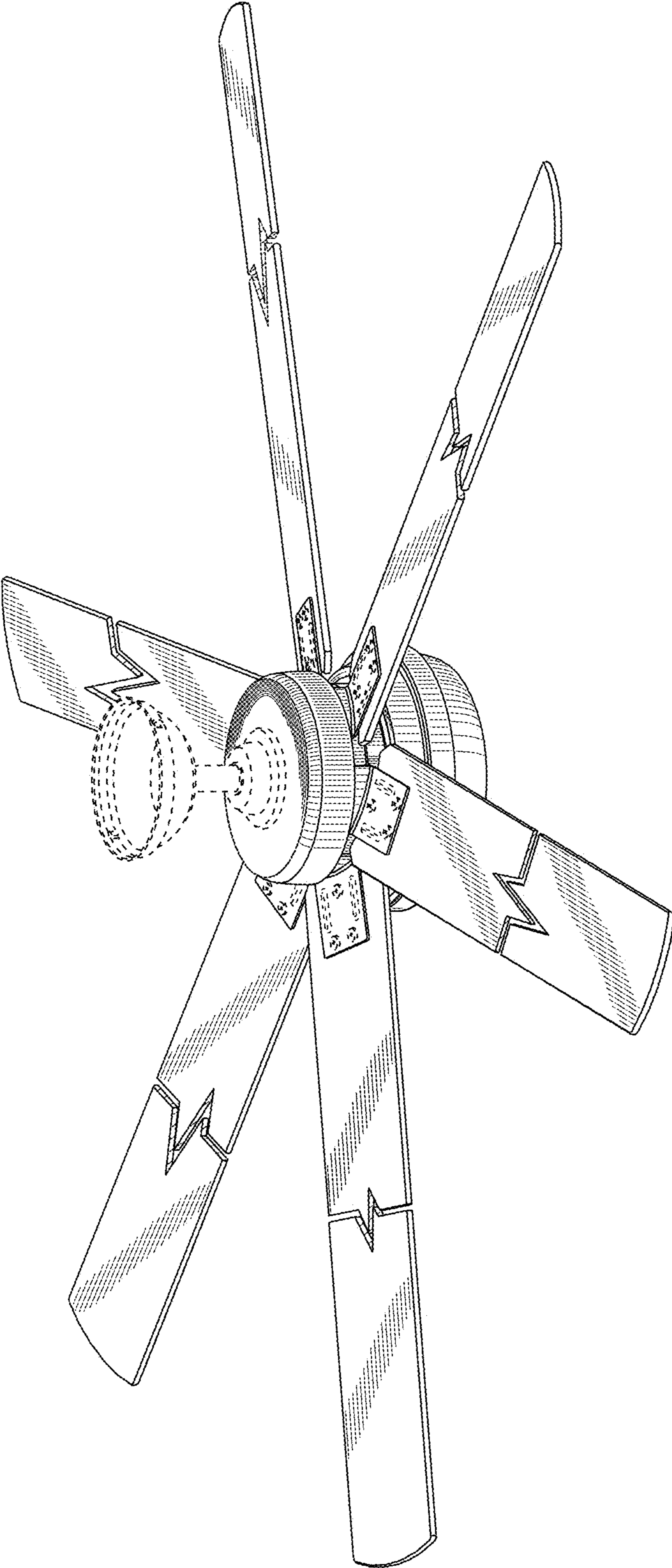


FIG. 1

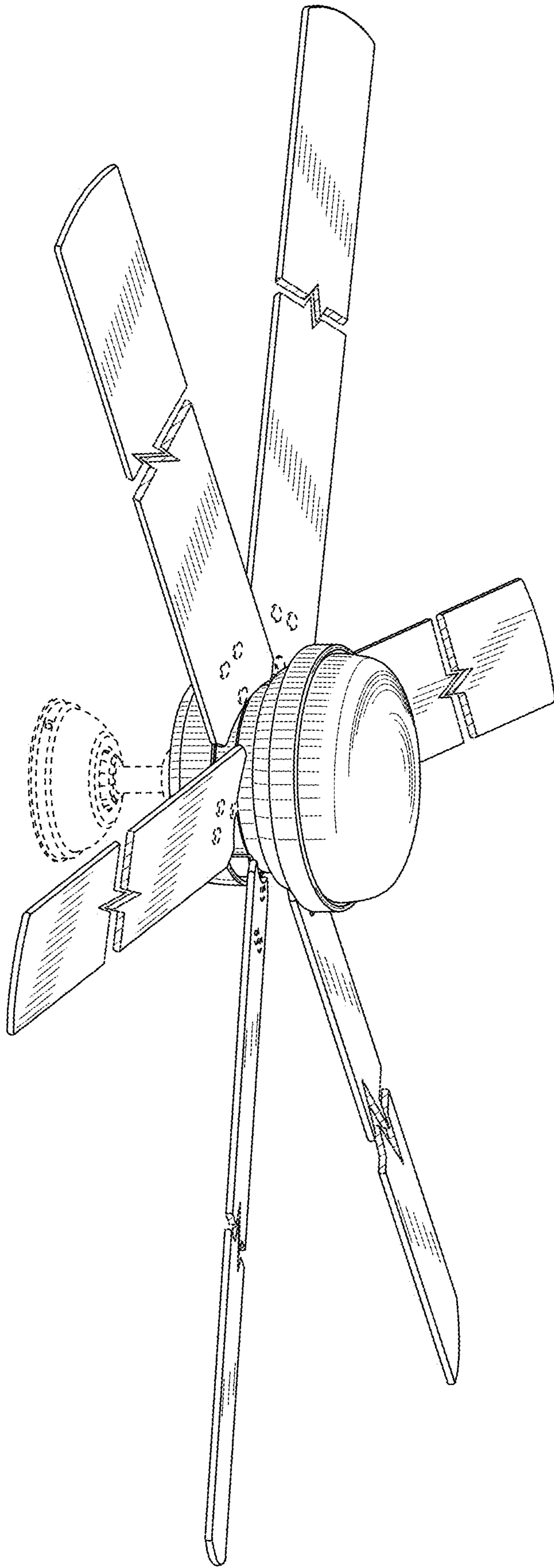


FIG. 2

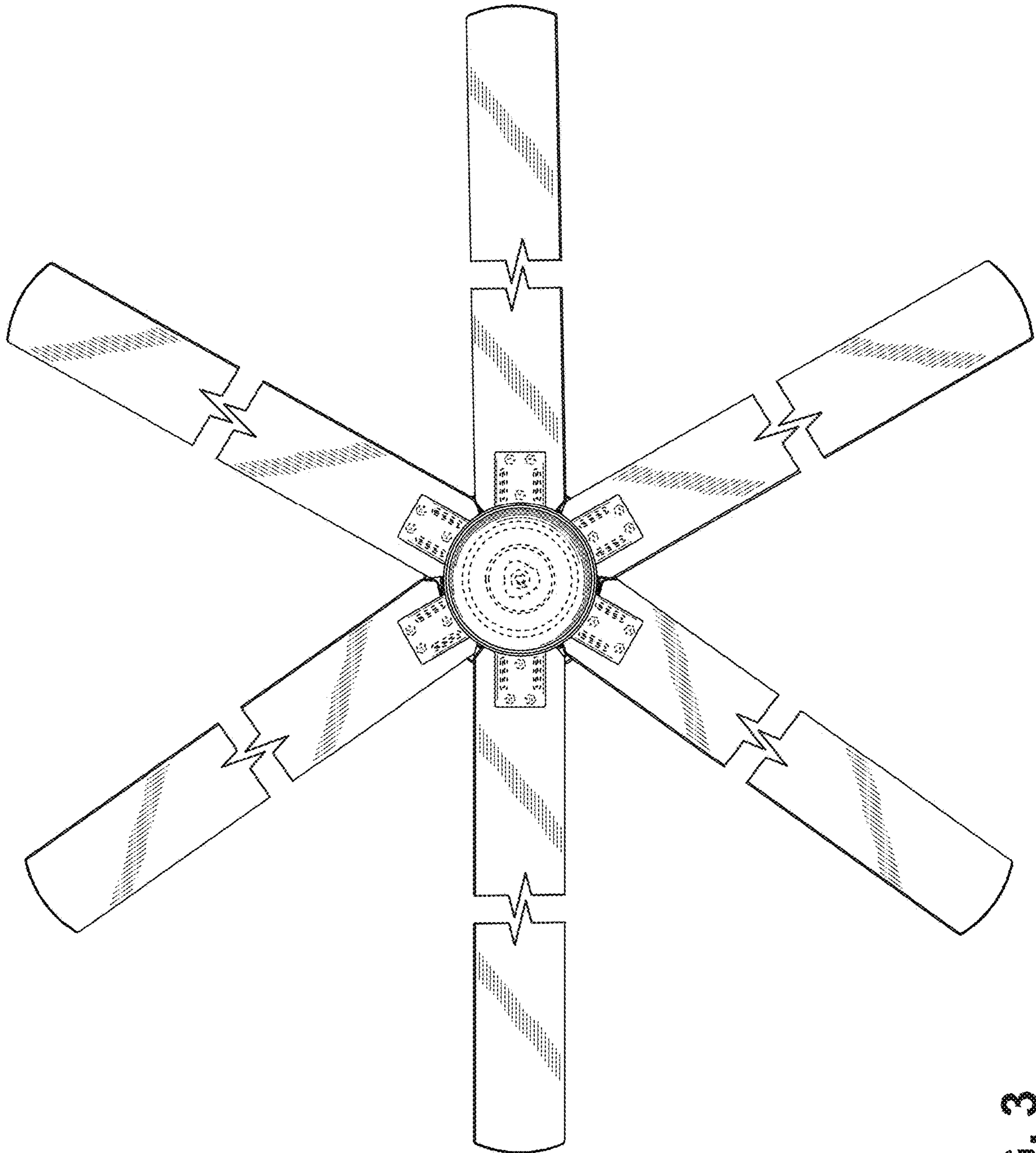


FIG. 3

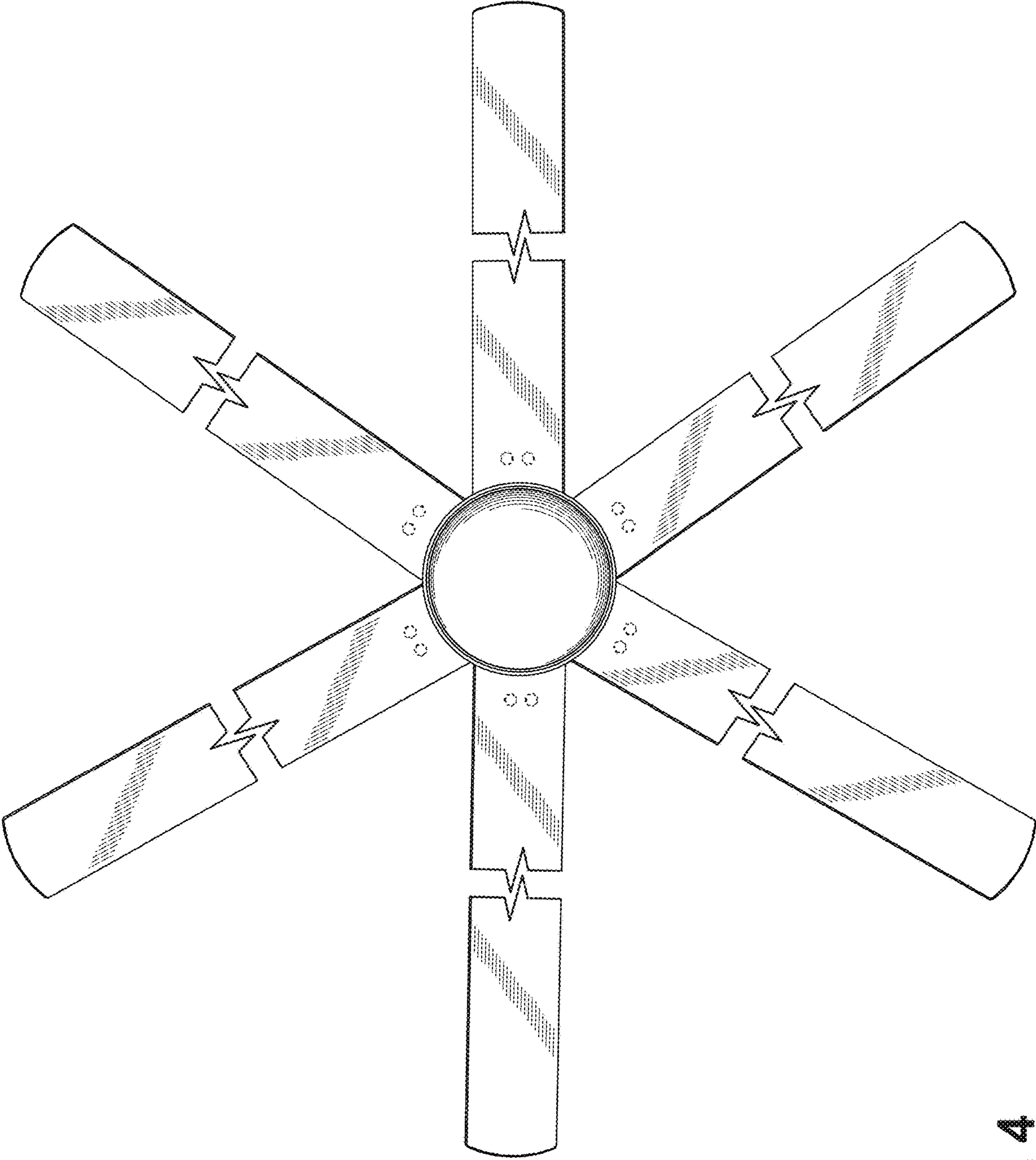


FIG. 4

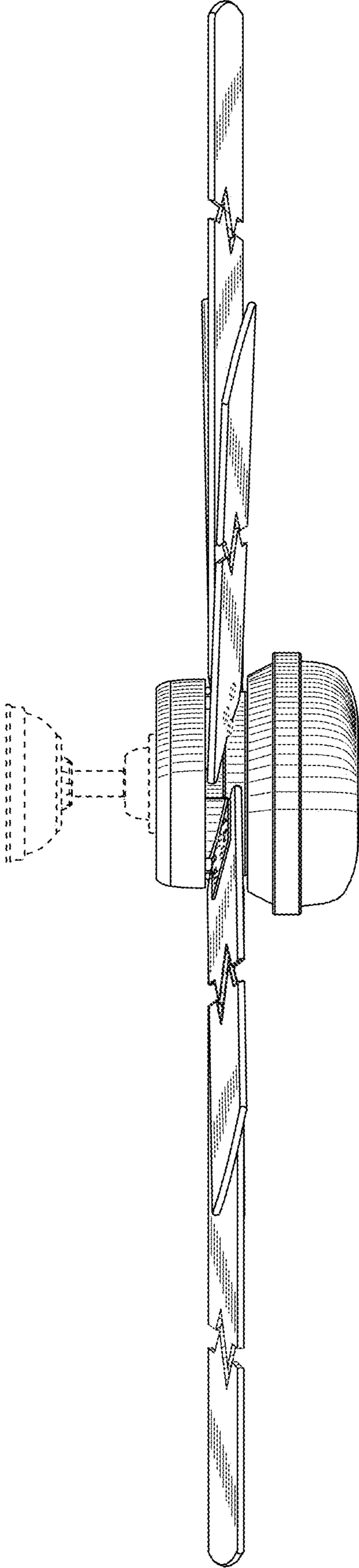


FIG. 5

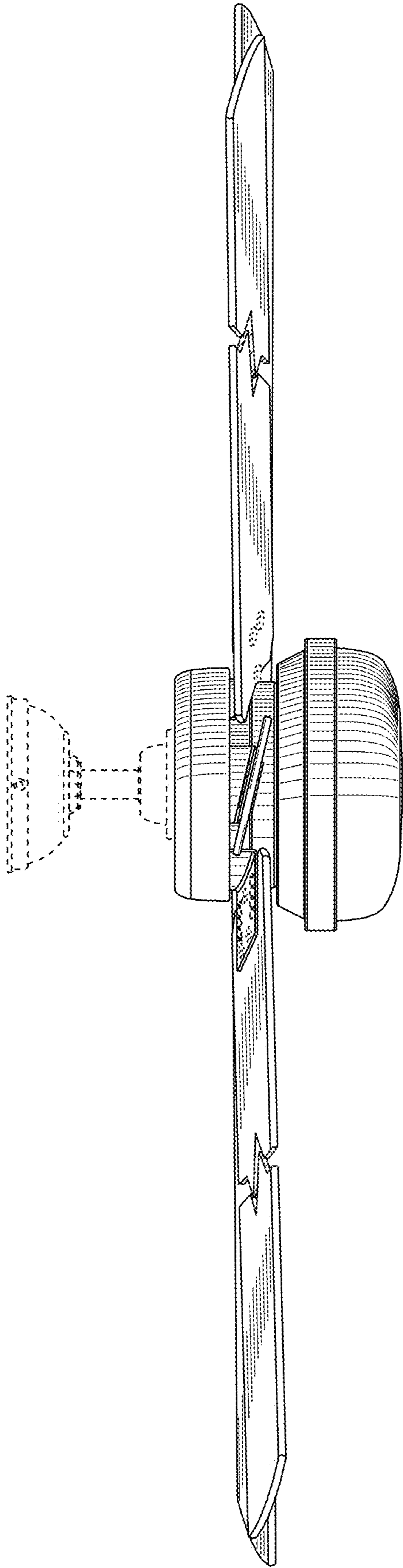


FIG. 6