



US00D890319S

(12) **United States Design Patent** (10) **Patent No.:** **US D890,319 S**
Kraemer (45) **Date of Patent:** **** Jul. 14, 2020**

- (54) **CEILING FAN**
- (71) Applicant: **Kichler Lighting LLC**, Cleveland, OH (US)
- (72) Inventor: **Kevin Francis Kraemer**, Chagrin Falls, OH (US)
- (73) Assignee: **Kichler Lighting LLC**, Cleveland, OH (US)
- (**) Term: **15 Years**
- (21) Appl. No.: **29/623,129**
- (22) Filed: **Oct. 23, 2017**
- (51) **LOC (12) Cl.** **23-04**
- (52) **U.S. Cl.**
USPC **D23/377**
- (58) **Field of Classification Search**
USPC D23/370–385, 411–414; D26/59, 85, 86, D26/89, 90, 119
CPC F04D 25/088; F04D 29/38; F04D 29/384; F04D 29/386; F21V 33/0096
See application file for complete search history.

(56) **References Cited**

U.S. PATENT DOCUMENTS

D417,747 S	*	12/1999	Pahl	D26/118
D424,188 S	*	5/2000	Liu	D23/377
D520,633 S	*	5/2006	Tai	D23/411
D556,930 S	*	12/2007	Ertze	D26/59
D575,863 S	*	8/2008	Bucher	D23/411
D594,542 S	*	6/2009	Pan	D23/377
D603,954 S	*	11/2009	Curtin	D23/411
D686,771 S	*	7/2013	Lastimoso	D26/88

D710,489 S	*	8/2014	Shurtleff	D23/377
D710,490 S	*	8/2014	Shurtleff	D23/411
D799,020 S	*	10/2017	Guthrie	D23/377
D801,515 S	*	10/2017	Wang	D23/411
D804,635 S	*	12/2017	Holmes	D23/377
D804,638 S	*	12/2017	Guthrie	D23/377
D805,182 S	*	12/2017	Pickett	D23/411
D806,852 S	*	1/2018	Holmes	D23/377
D808,002 S	*	1/2018	Holmes	D23/377
D811,577 S	*	2/2018	Yang	D23/411
D814,011 S	*	3/2018	McRoberts	D23/377
D825,812 S	*	8/2018	Wright	D26/81
D840,015 S	*	2/2019	Badarello	D23/385
D844,881 S	*	4/2019	Gardner	D26/81
D849,224 S	*	5/2019	Gardner	D23/377

* cited by examiner

Primary Examiner — Cathron C Brooks

Assistant Examiner — Sharon S Oum

(74) *Attorney, Agent, or Firm* — Brooks Kushman P.C.

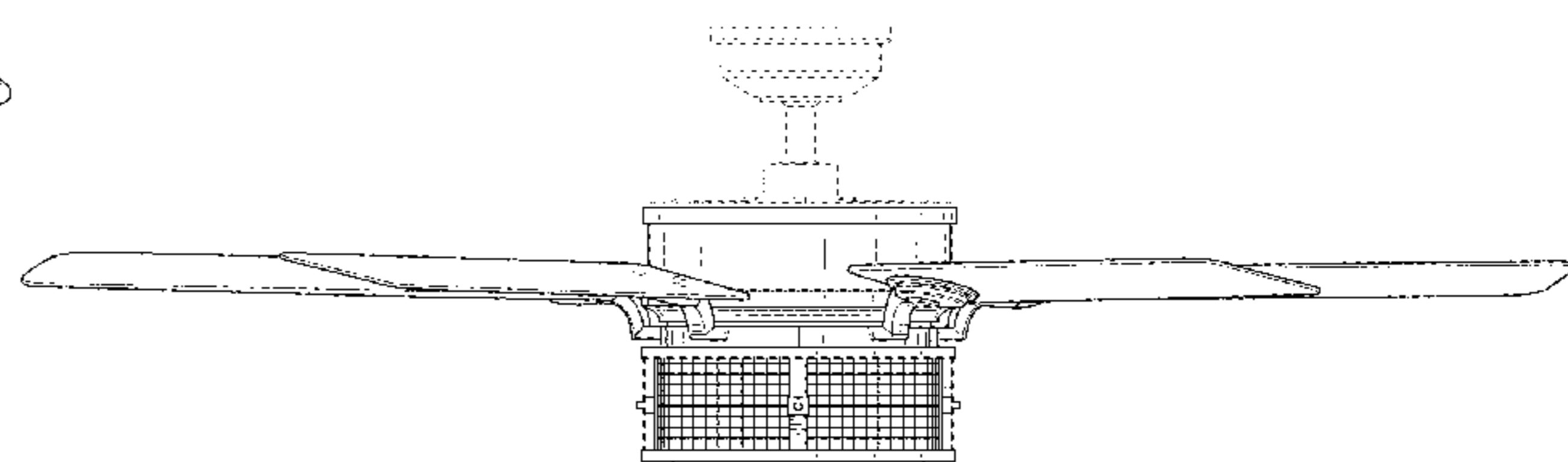
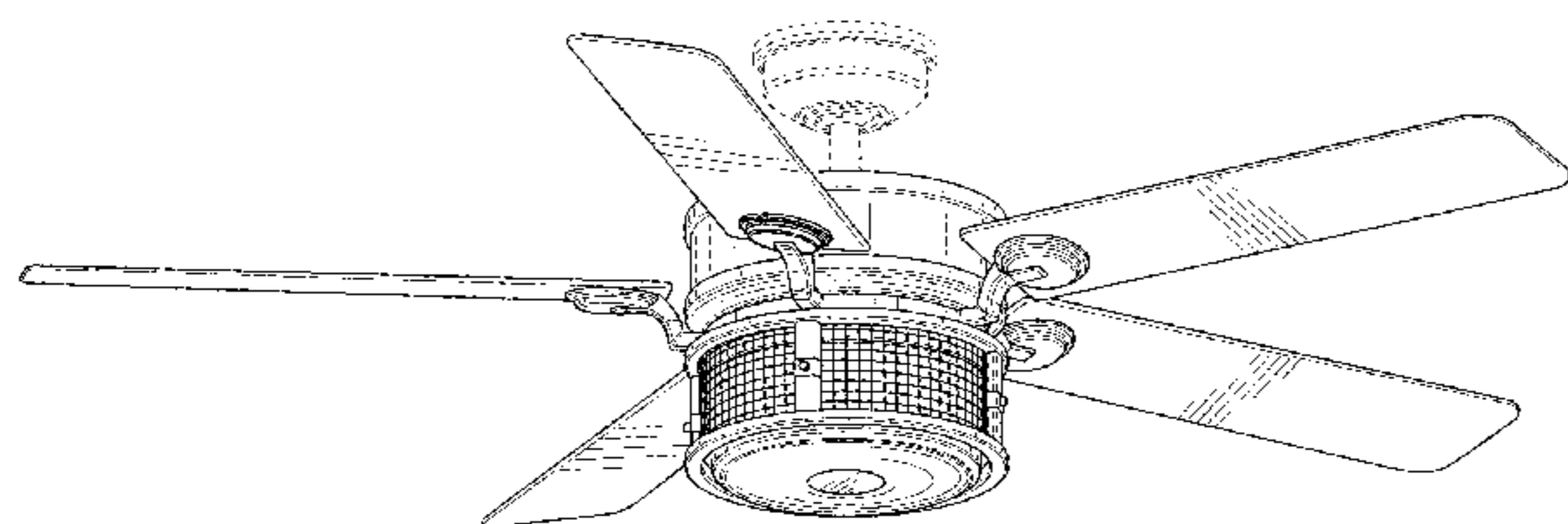
(57) **CLAIM**

I claim the ornamental design for a ceiling fan, as shown and described.

DESCRIPTION

FIG. 1 is a front/right/bottom perspective view of a ceiling fan;
 FIG. 2 is a left side elevational view thereof;
 FIG. 3 is a right side elevational view thereof;
 FIG. 4 is a front elevational view thereof;
 FIG. 5 is a top plan view thereof; and,
 FIG. 6 is a bottom plan view thereof.
 The broken lines on the drawing depict portions of the ceiling fan that form no part of the claimed design.

1 Claim, 6 Drawing Sheets



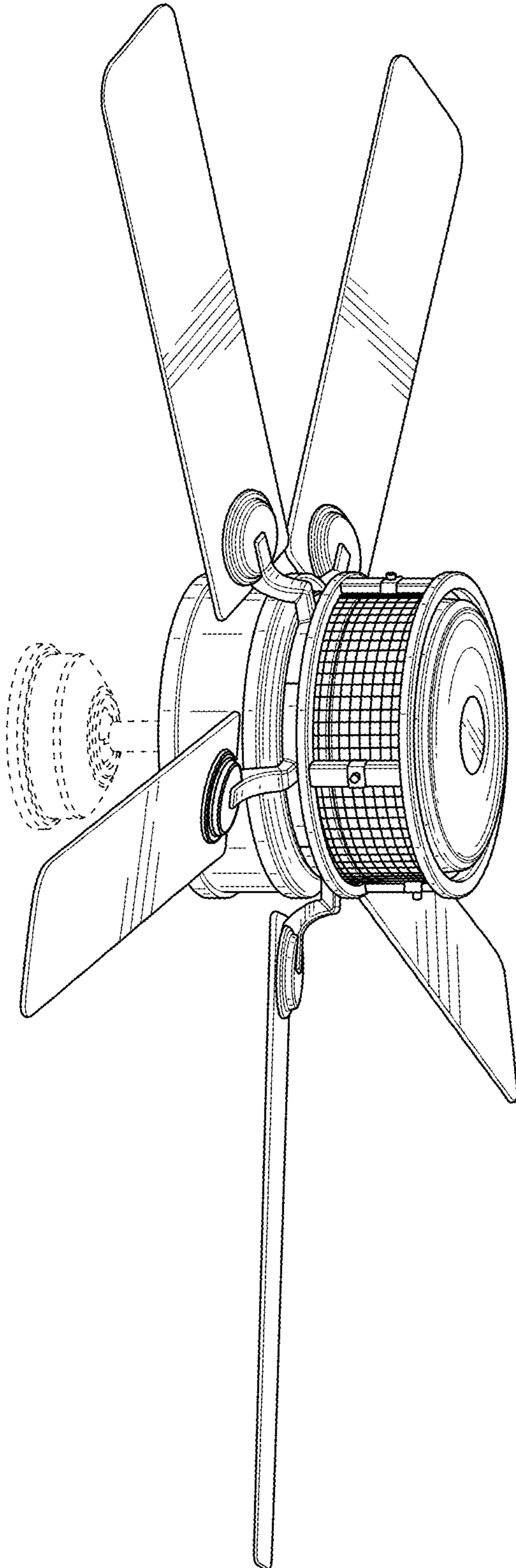


FIG. 1

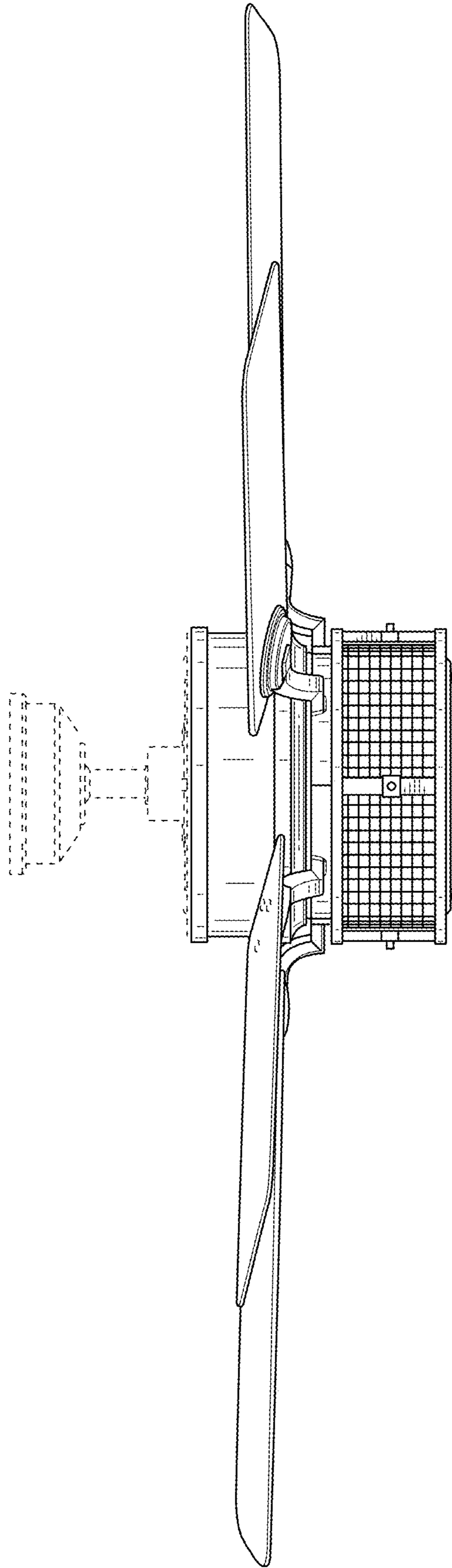


FIG. 2

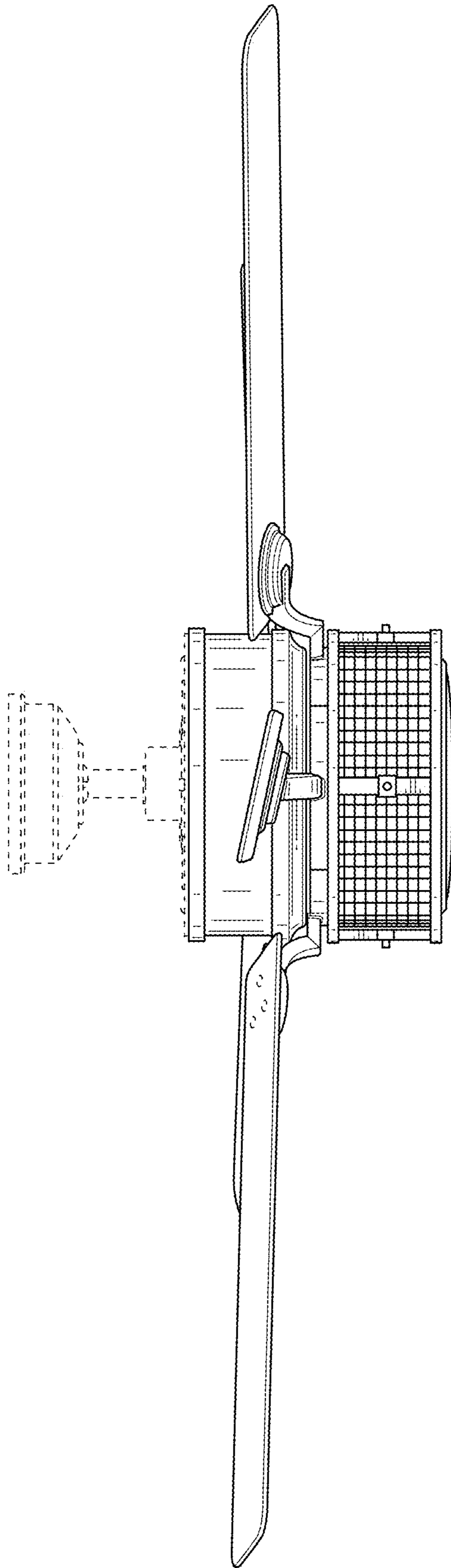


FIG. 3

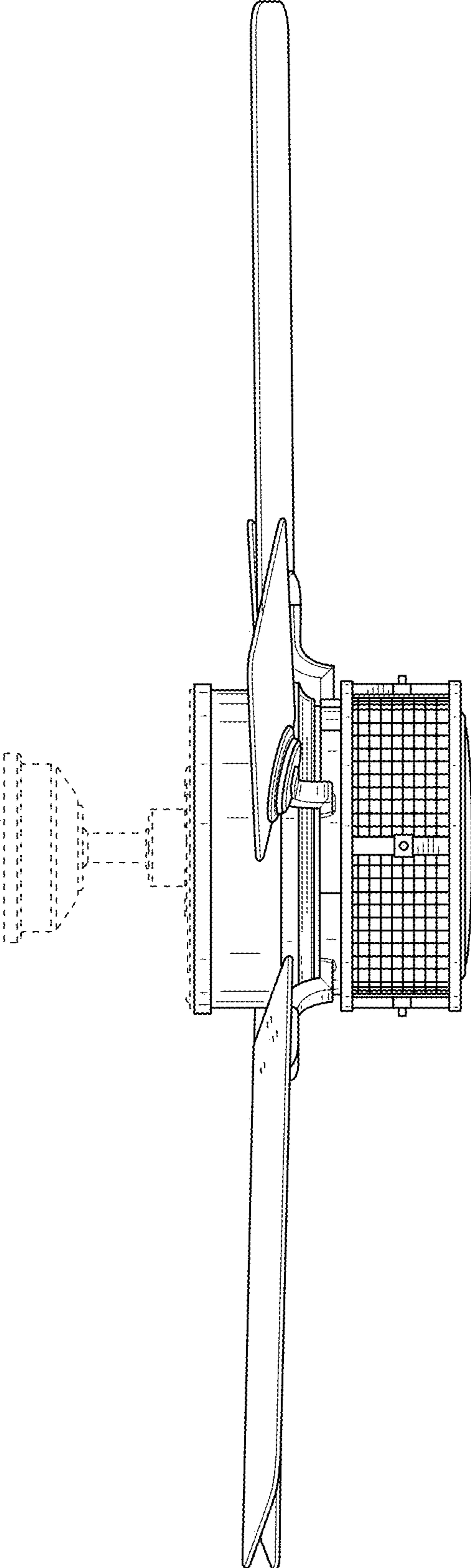


FIG. 4

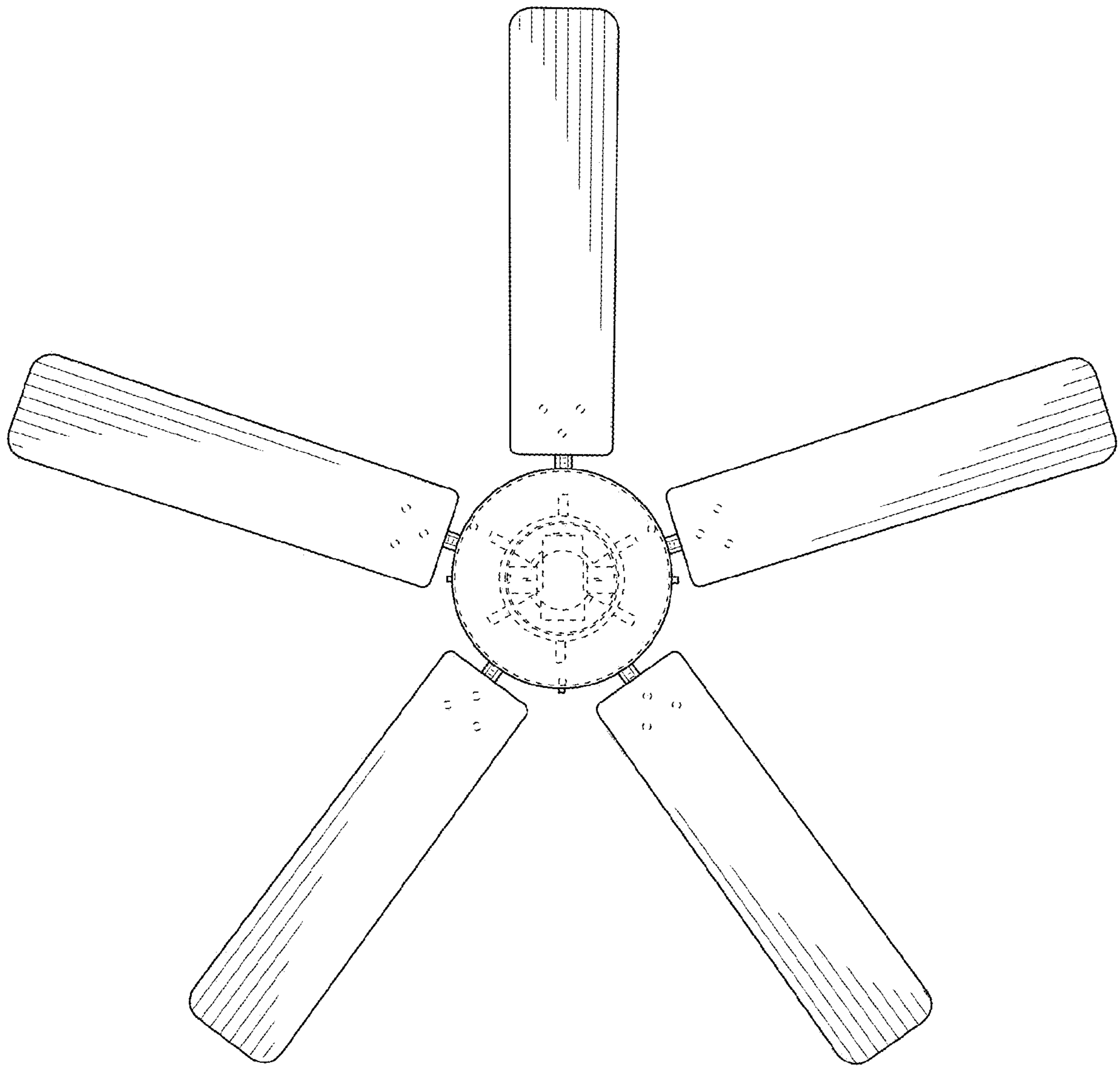


FIG. 5

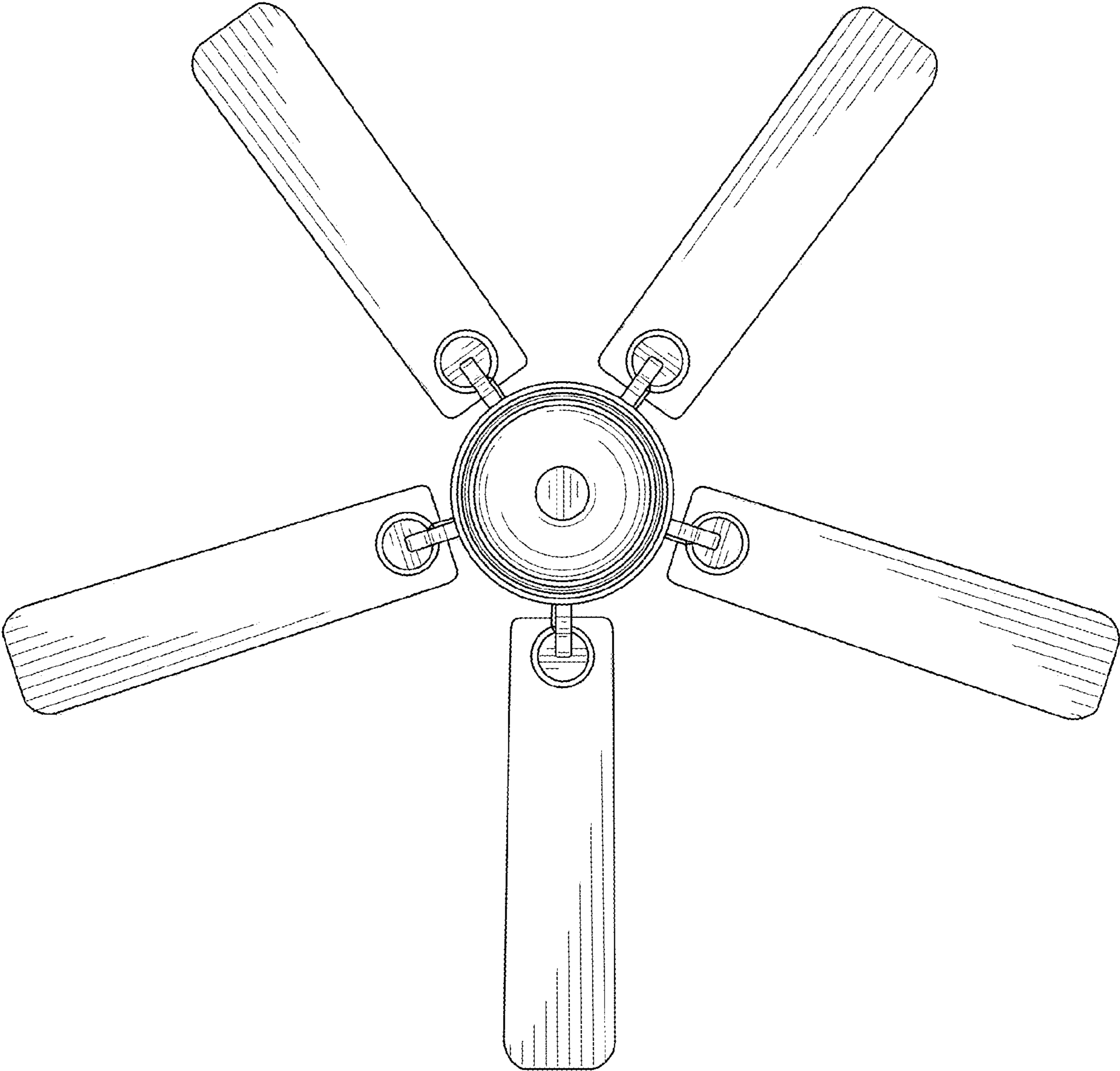


FIG. 6