



US00D890318S

(12) **United States Design Patent**  
**Thornton**

(10) **Patent No.:** **US D890,318 S**

(45) **Date of Patent:** **\*\* Jul. 14, 2020**

(54) **EIGHT BLADE CEILING FAN**

OTHER PUBLICATIONS

(71) Applicant: **HKC-US, LLC**, Memphis, TN (US)

Quorum Lighting—84708—Modesto—72" Ceiling Fan with Light Kit; retrieved from [http://www.quorumlightingexperts.com/lighting/7-449-621-0-471548/Quorum\\_Modesto---72--Ceiling-Fan-with-Light-Kit-84708.htm?bid=autocomplete](http://www.quorumlightingexperts.com/lighting/7-449-621-0-471548/Quorum_Modesto---72--Ceiling-Fan-with-Light-Kit-84708.htm?bid=autocomplete); retrieved on Aug. 21, 2017; 4 pages.

(72) Inventor: **Pierre Thornton**, Bartlett, TN (US)

(73) Assignee: **HKC-US, LLC**, Memphis, TN (US)

(\*\*) Term: **15 Years**

(Continued)

(21) Appl. No.: **29/614,726**

*Primary Examiner* — Cathron C Brooks

(22) Filed: **Aug. 22, 2017**

*Assistant Examiner* — Sharon S Oum

(51) **LOC (12) Cl.** ..... **23-04**

(74) *Attorney, Agent, or Firm* — Brian S. Steinberger;

(52) **U.S. Cl.**  
USPC ..... **D23/377**

Hilary F. Steinberger; Law Offices of Brian S.

Steinberger, P.A.

(58) **Field of Classification Search**  
USPC ..... D23/370–385, 411–414; D26/59, 85, 86,  
D26/89, 90, 88, 110

(57) **CLAIM**

CPC ..... F04D 25/088; F04D 29/38; F04D 29/384;  
F04D 29/386; F21V 33/0096

I claim the ornamental design for an eight blade ceiling fan, as shown and described.

See application file for complete search history.

(56) **References Cited**

**DESCRIPTION**

**U.S. PATENT DOCUMENTS**

D382,636 S *	8/1997	Yang	.....	D23/377
D409,742 S *	5/1999	Yang	.....	D23/377
D466,206 S *	11/2002	Gajewski	.....	D23/377
D476,408 S *	6/2003	Hidalgo	.....	D23/411
D484,964 S *	1/2004	Young	.....	D23/377
D551,795 S *	9/2007	Compton	.....	D26/88
D553,731 S *	10/2007	Bucher	.....	D23/411
D576,265 S *	9/2008	Bucher	.....	D23/377
D590,489 S *	4/2009	Bucher	.....	D23/377
D596,734 S *	7/2009	Kihara	.....	D23/377
D785,155 S *	4/2017	Wang	.....	D23/377
D795,410 S *	8/2017	Holmes	.....	D23/377
D799,668 S *	10/2017	Wang	.....	D23/377
D800,290 S *	10/2017	Searle	.....	D23/377
D800,291 S *	10/2017	Wang	.....	D23/377
D834,171 S *	11/2018	Holmes	.....	D23/411
2009/0208333 A1 *	8/2009	Smith	.....	F04D 25/088

416/5

FIG. 1 is a lower front perspective view of the eight blade ceiling fan.

FIG. 2 is an upper front perspective view of the eight blade ceiling fan of FIG. 1.

FIG. 3 is a top view of the eight blade ceiling fan of FIG. 1.

FIG. 4 is a bottom view of the eight blade ceiling fan of FIG. 1.

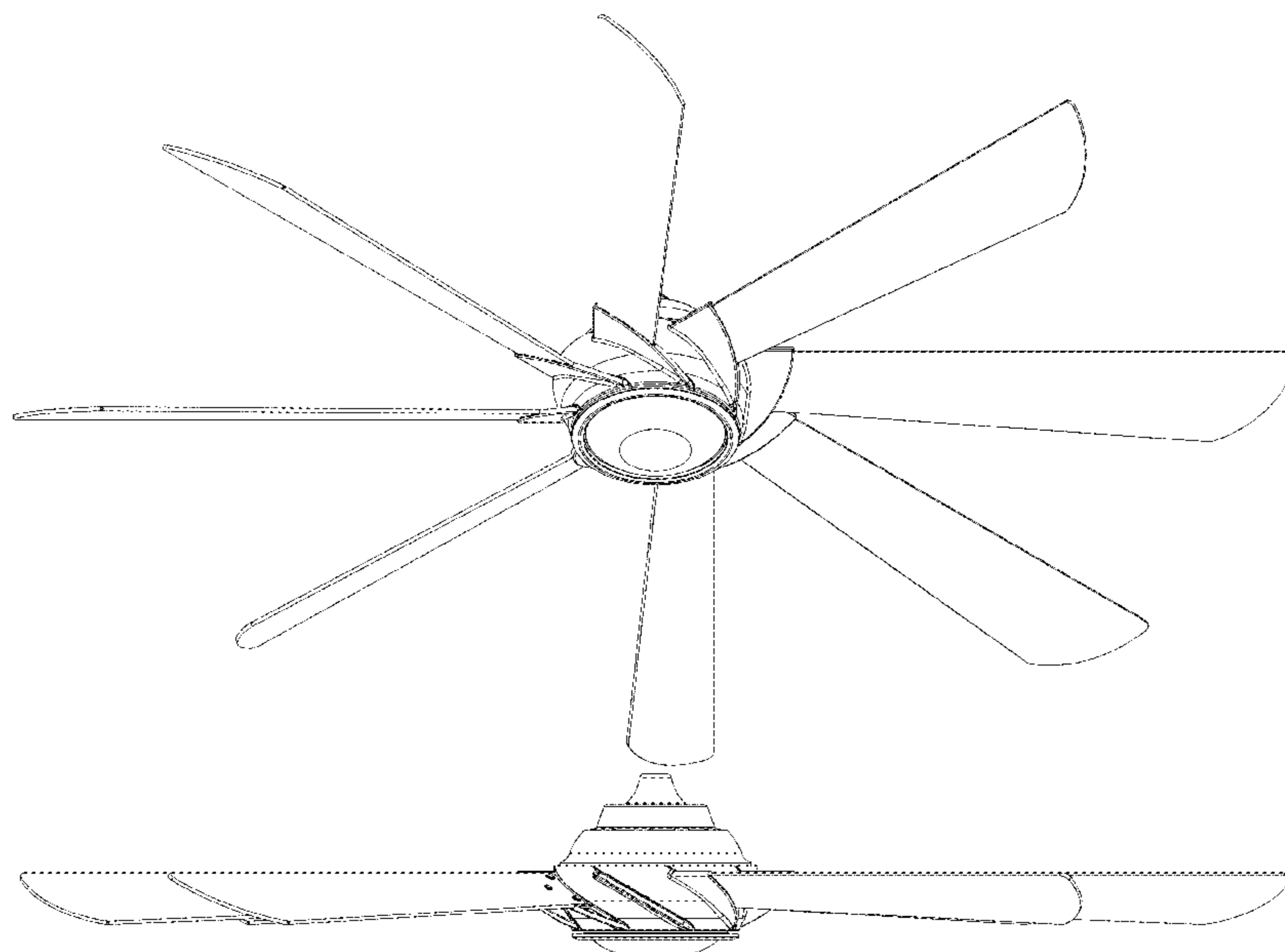
FIG. 5 is a front side view of the eight blade ceiling fan of FIG. 1.

FIG. 6 is a rear side view of the eight blade ceiling fan of FIG. 1.

FIG. 7 is a left side view of the eight blade ceiling fan of FIG. 1; and,

FIG. 8 is a right side view of the eight blade ceiling fan of FIG. 1.

**1 Claim, 8 Drawing Sheets**



(56)

**References Cited**

OTHER PUBLICATIONS

Quorum Lighting—196728—PP—Proxima Patio—72" Ceiling Fan; retrieved from [http://www.quorumlightingexperts.com/lighting/7-449-621-0-516639/Quorum\\_Proxima-Patio---72--Ceiling-Fan-196728-PP.htm?bid=autocomplete](http://www.quorumlightingexperts.com/lighting/7-449-621-0-516639/Quorum_Proxima-Patio---72--Ceiling-Fan-196728-PP.htm?bid=autocomplete); retrieved on Aug. 21, 2017; 4 pages.

Quorum Lighting—9672P—Proxima—72" Ceiling Fan; retrieved from [http://www.quorumlightingexperts.com/lighting/7-449-621-0-478734/Quorum\\_Proxima---72--Ceiling-Fan-9672P.htm?bid=autocomplete](http://www.quorumlightingexperts.com/lighting/7-449-621-0-478734/Quorum_Proxima---72--Ceiling-Fan-9672P.htm?bid=autocomplete); retrieved on Aug. 21, 2017; 4 pages.

\* cited by examiner

FIG. 1

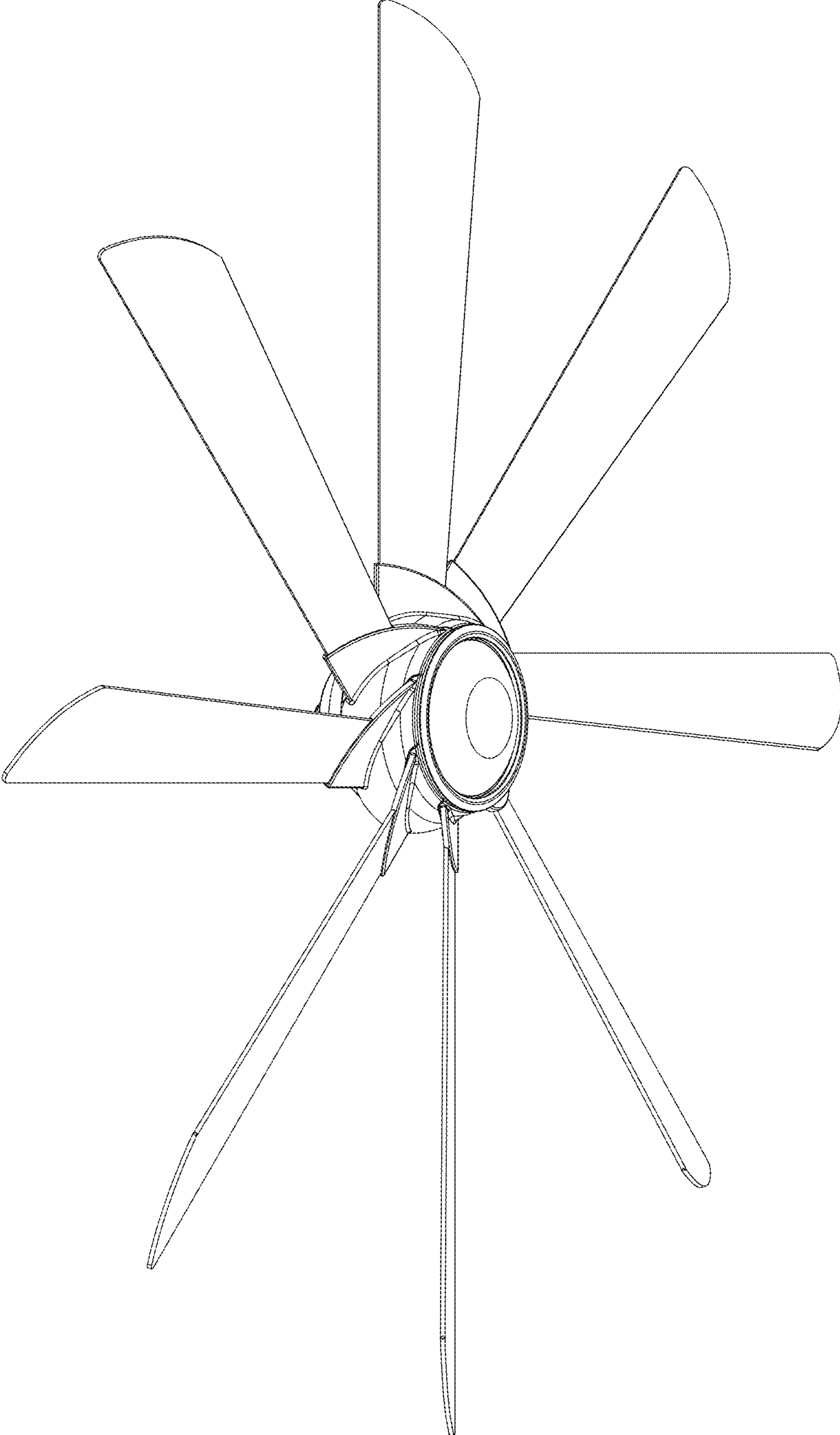
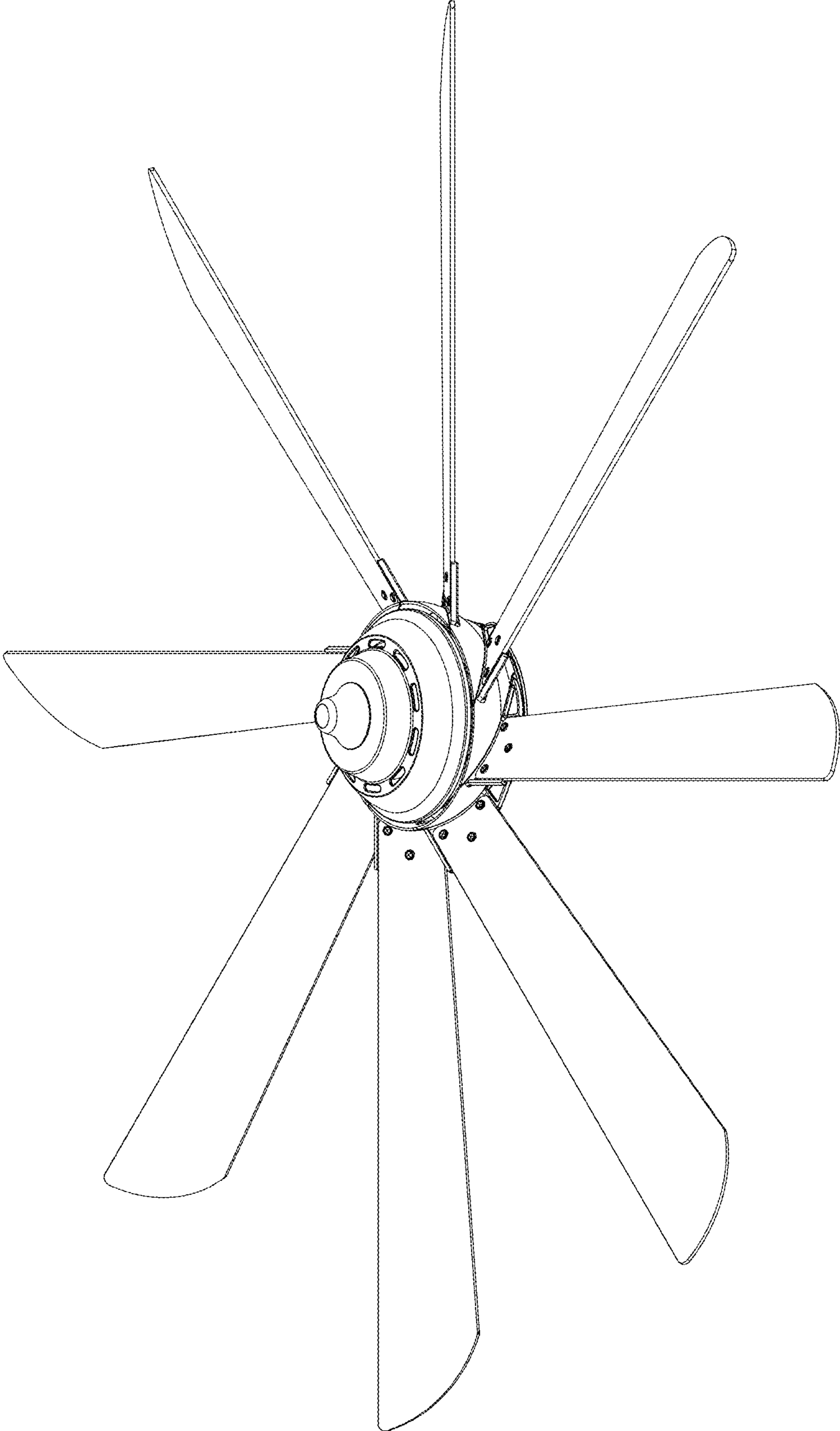


FIG. 2



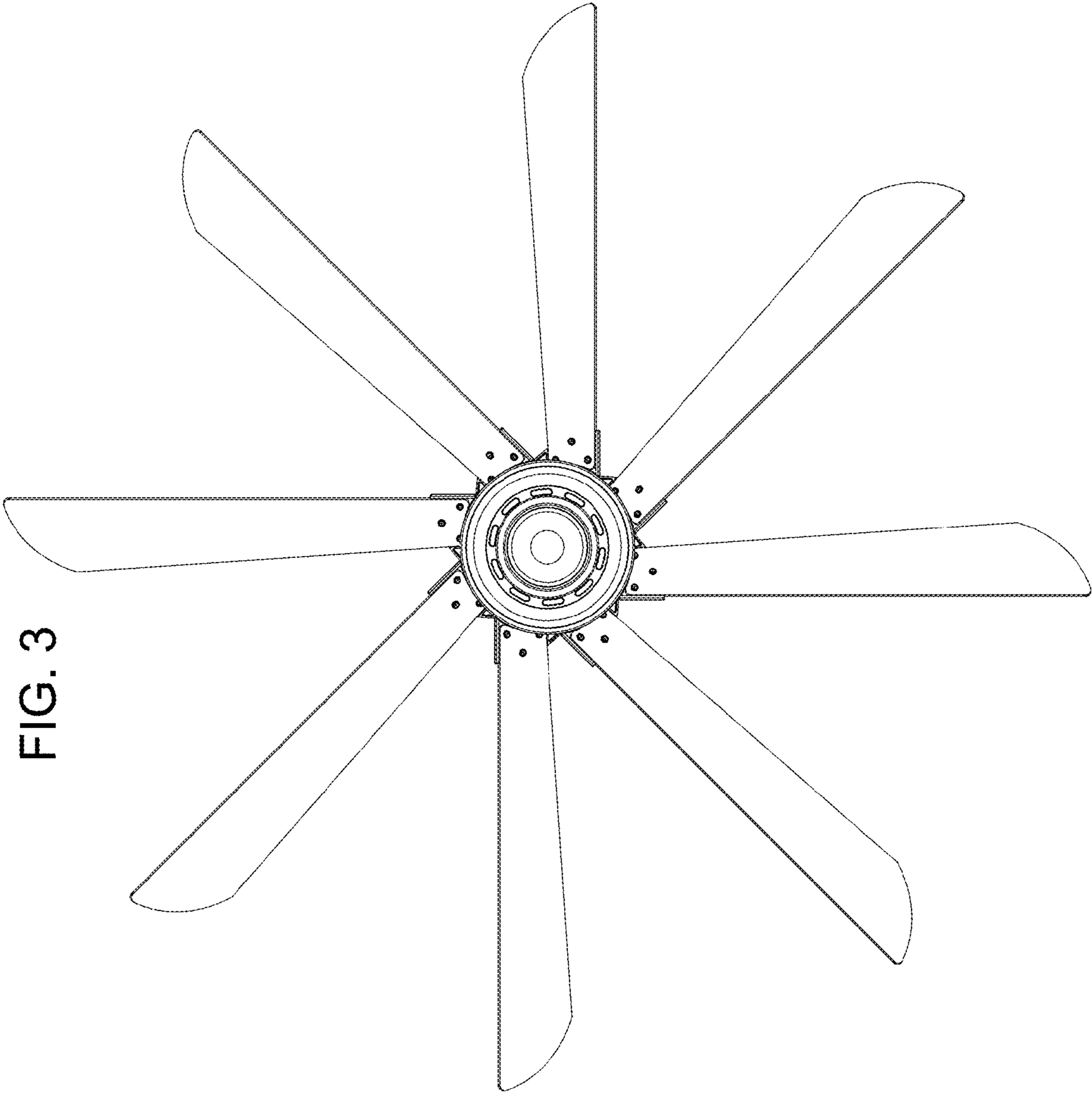


FIG. 3

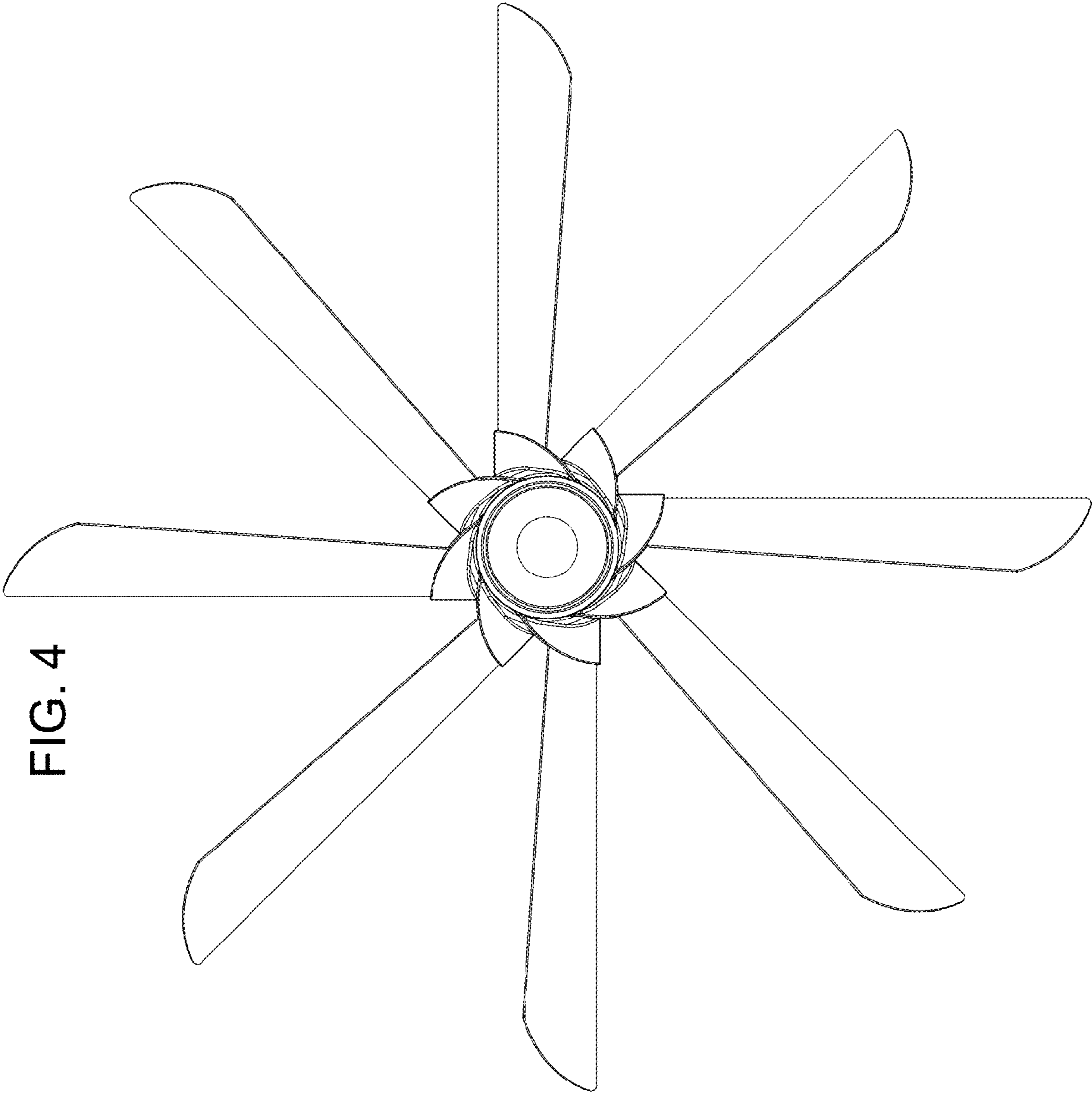


FIG. 4

FIG. 5

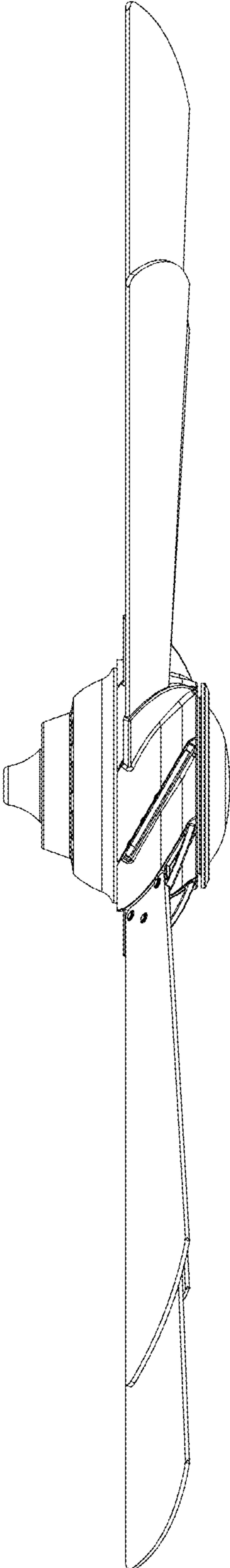


FIG. 6

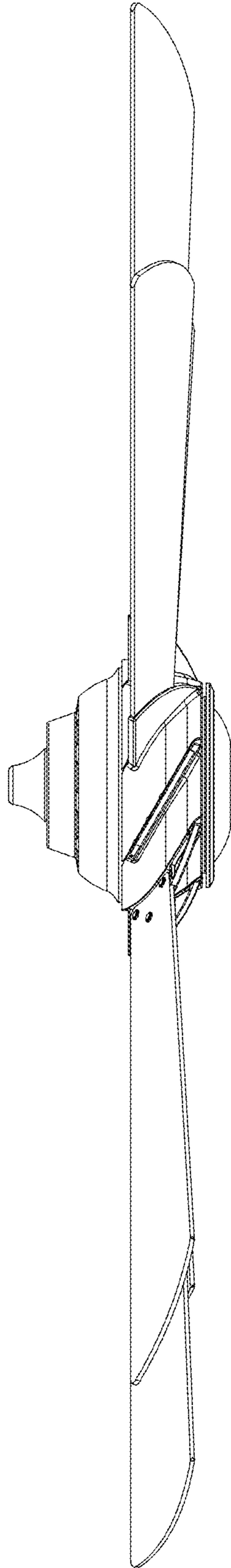




FIG. 7

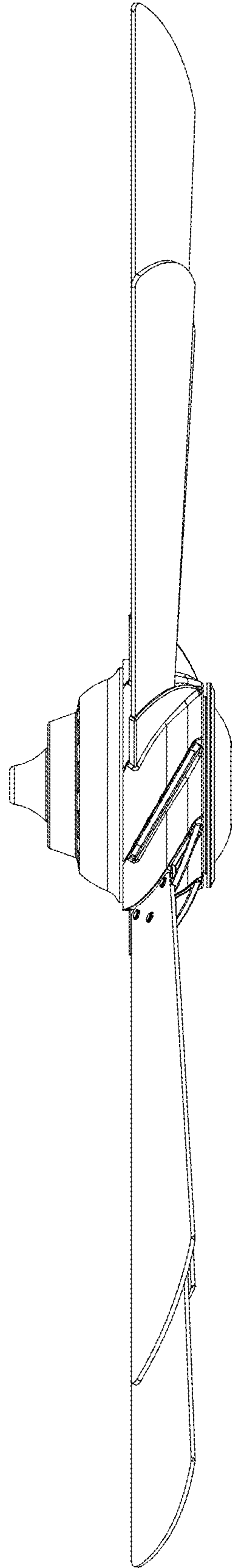


FIG. 8

