



US00D890316S

(12) **United States Design Patent** (10) **Patent No.:** **US D890,316 S**
Madeira et al. (45) **Date of Patent:** **** Jul. 14, 2020**

(54) **AIR FILTER ELEMENT**

(56) **References Cited**

(71) Applicant: **MANN+HUMMEL GmbH**,
Ludwigsburg (DE)
(72) Inventors: **Pedro Miguel Pereira Madeira**,
Bietigheim-Bissingen (DE); **Pascal**
Neef, Leonberg (DE); **Nadine Donauer**,
Fellbach (DE)
(73) Assignee: **MANN+HUMMEL GmbH**,
Ludwigsburg (DE)
(**) Term: **15 Years**
(21) Appl. No.: **29/675,448**
(22) Filed: **Jan. 2, 2019**

U.S. PATENT DOCUMENTS

D437,402 S *	2/2001	Gieseke	D23/365
D484,584 S *	12/2003	Anderson	D23/365
D506,539 S *	6/2005	Bishop	D23/365
D545,396 S *	6/2007	Casey	D23/209
D585,536 S *	1/2009	Wang	D23/364
D595,811 S *	7/2009	Stadtler	D23/249
8,048,187 B2 *	11/2011	Merritt	B01D 46/0001 55/502
8,088,190 B2 *	1/2012	Patel	B01D 46/0005 55/487
D657,041 S *	4/2012	Bull	D23/393
8,246,702 B2 *	8/2012	Ackermann	B01D 46/0021 123/198 E

(Continued)

Primary Examiner — Nathan M Johnston
(74) *Attorney, Agent, or Firm* — James Hasselbeck

(57) **CLAIM**

We claim the ornamental design for an air filter element, as shown and described.

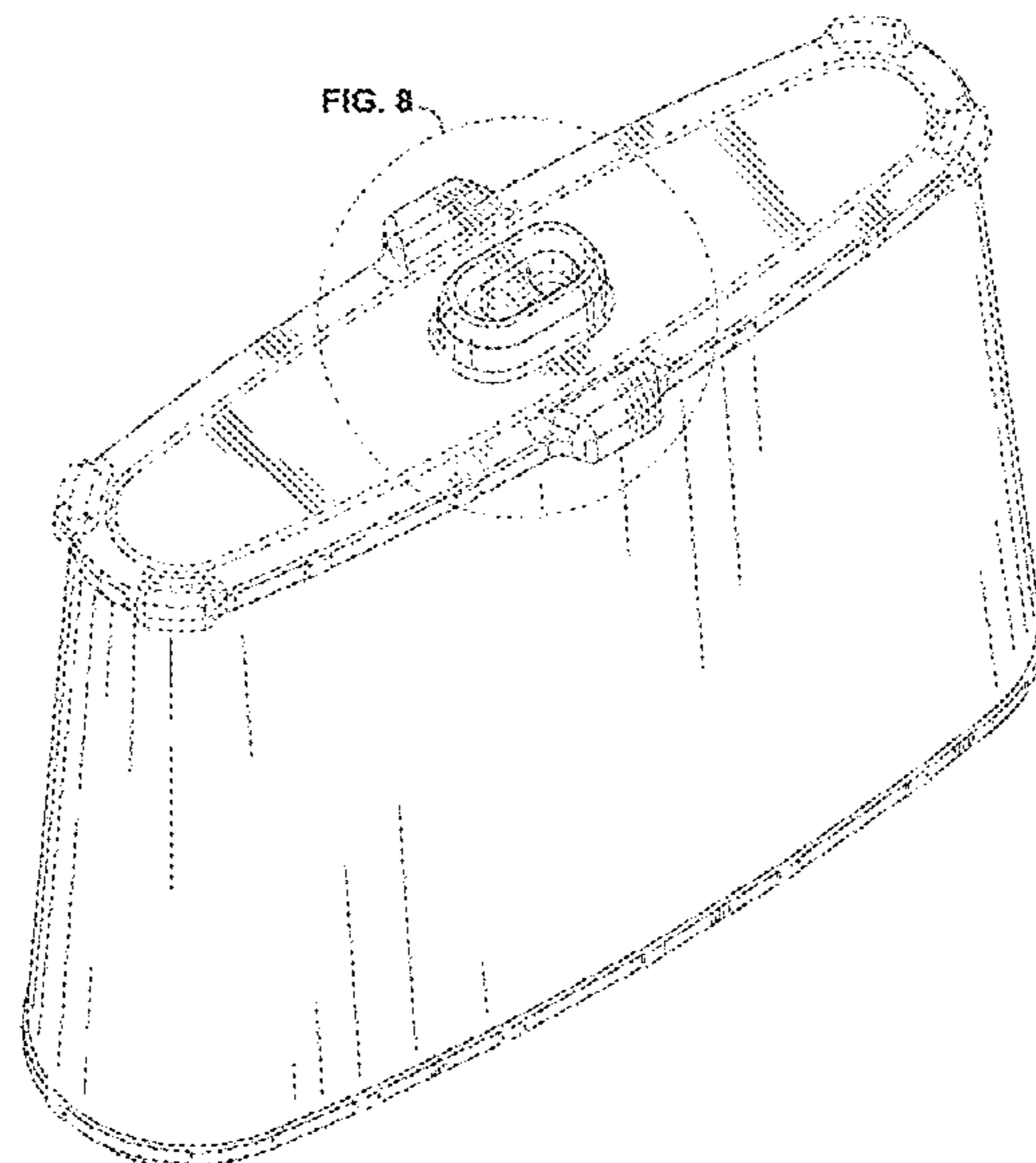
DESCRIPTION

FIG. 1 is a front elevation view of the air filter showing our new design, the rear elevation view is identical;
FIG. 2 is an enlarged view of the circled region “FIG. 2” of FIG. 1;
FIG. 3 is a right side elevation view thereof;
FIG. 4 is an enlarged view of the circled region “FIG. 4” of FIG. 3;
FIG. 5 is a bottom plan view thereof;
FIG. 6 is an enlarged view of the circled region “FIG. 6” of FIG. 5;
FIG. 7 is a bottom rear perspective view thereof; and,
FIG. 8 is an enlarged view of the circled region “FIG. 8” of FIG. 7.
The broken lines showing portions of the design that form no part of the claimed design.

Related U.S. Application Data

(60) Division of application No. 29/623,252, filed on Oct. 24, 2017, now Pat. No. Des. 837,358, which is a division of application No. 29/506,958, filed on Oct. 22, 2014, now Pat. No. Des. 804,004, which is a continuation-in-part of application No. 29/467,257, filed on Sep. 17, 2013, now Pat. No. Des. 775,317, which is a continuation-in-part of application No. 14/017,767, filed on Sep. 4, 2013, now Pat. No. 9,726,123.
(51) **LOC (12) Cl.** **23-04**
(52) **U.S. Cl.**
USPC **D23/365**
(58) **Field of Classification Search**
USPC D23/365, 209, 363, 358, 386, 354, 341,
D23/364; 55/385.3, 502, 497, 506, 505,
55/521, 495, 422, 493, DIG. 30; D15/5;
210/435, 130, 136, 248, 339, 448, 452,
210/497.1
CPC B01D 46/00
See application file for complete search history.

1 Claim, 8 Drawing Sheets



(56)

References Cited

U.S. PATENT DOCUMENTS

D690,407 S * 9/2013 Williams D23/365
2010/0252495 A1 * 10/2010 Reid B01D 29/012
210/339
2014/0373495 A1 * 12/2014 Madeira F02M 35/0204
55/502

* cited by examiner

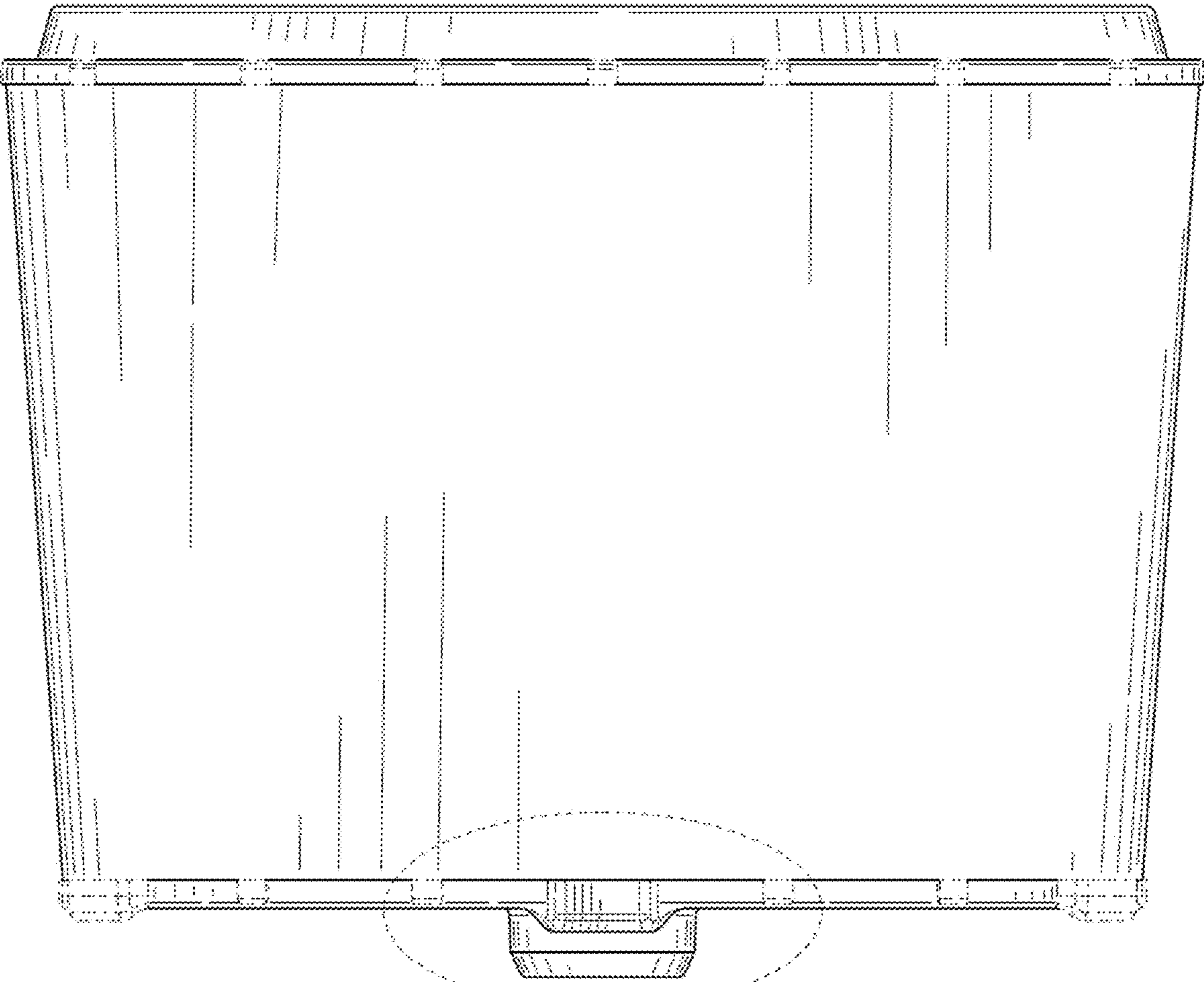


FIG. 1

FIG. 2

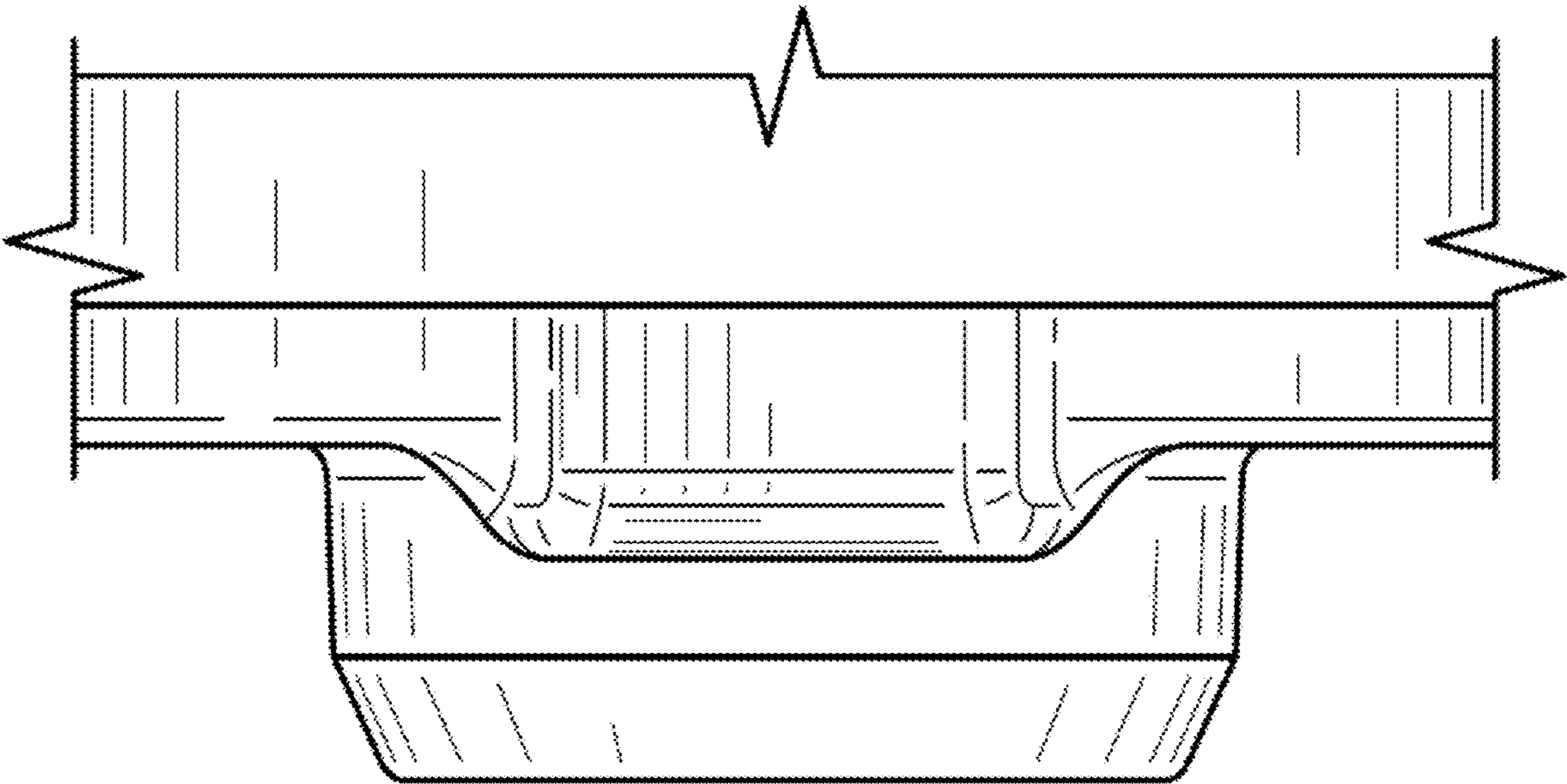


FIG. 2

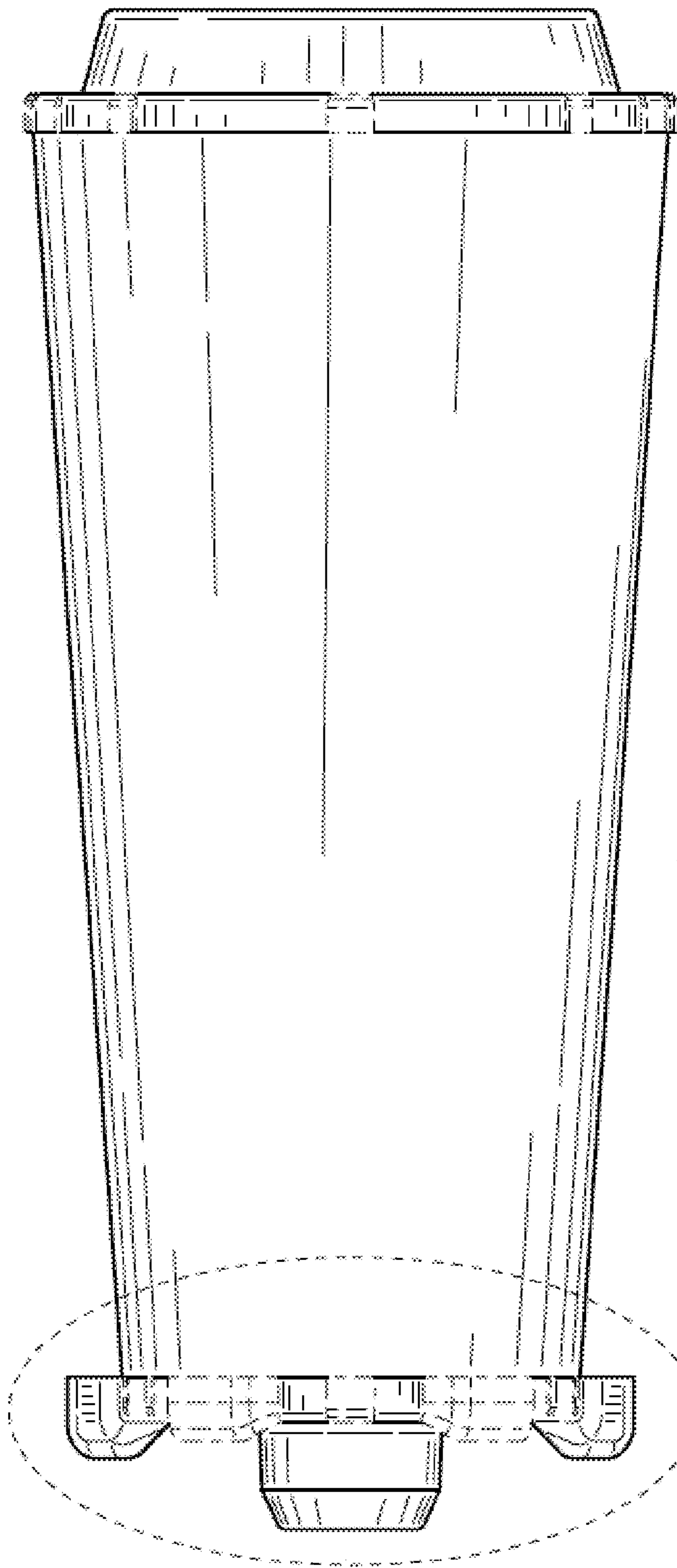


FIG. 3

FIG. 2

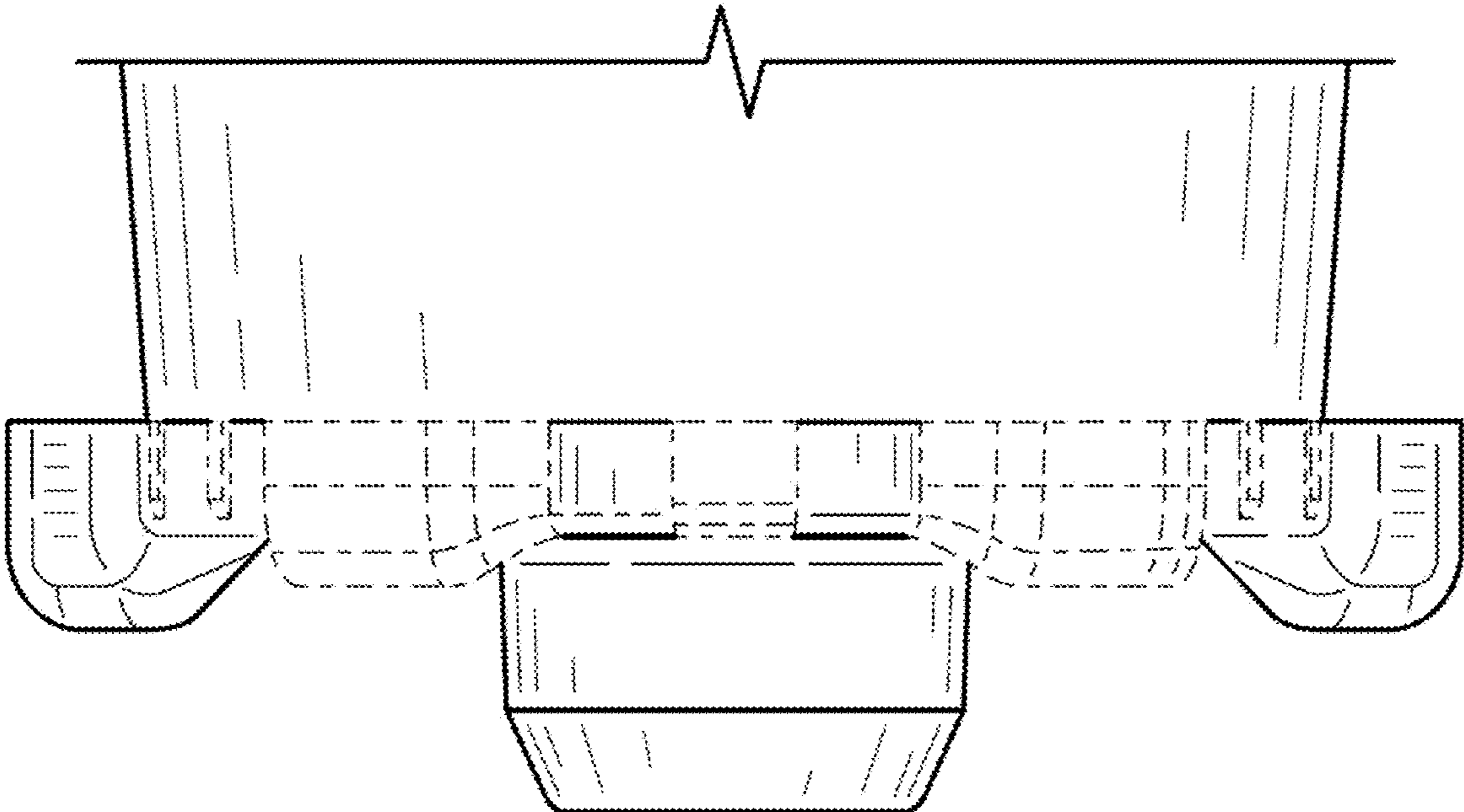


FIG. 4

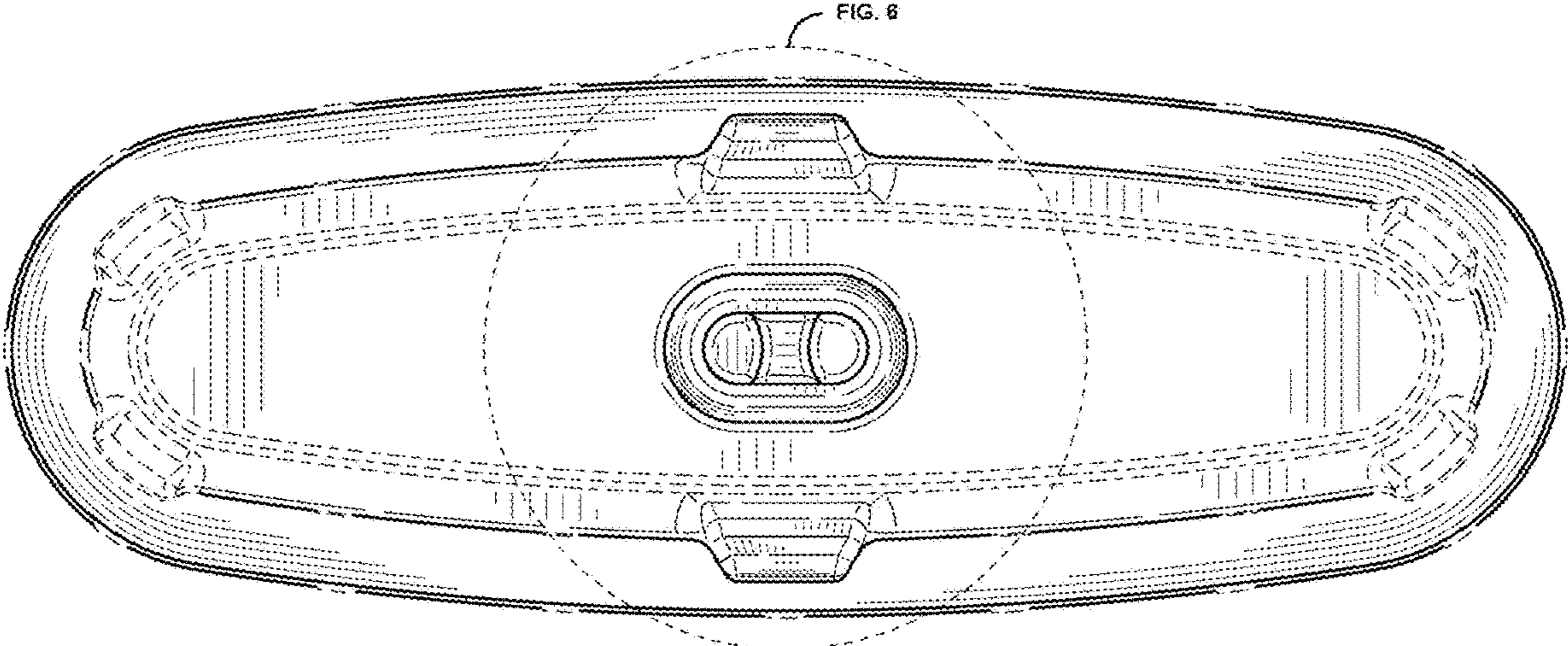


FIG. 5

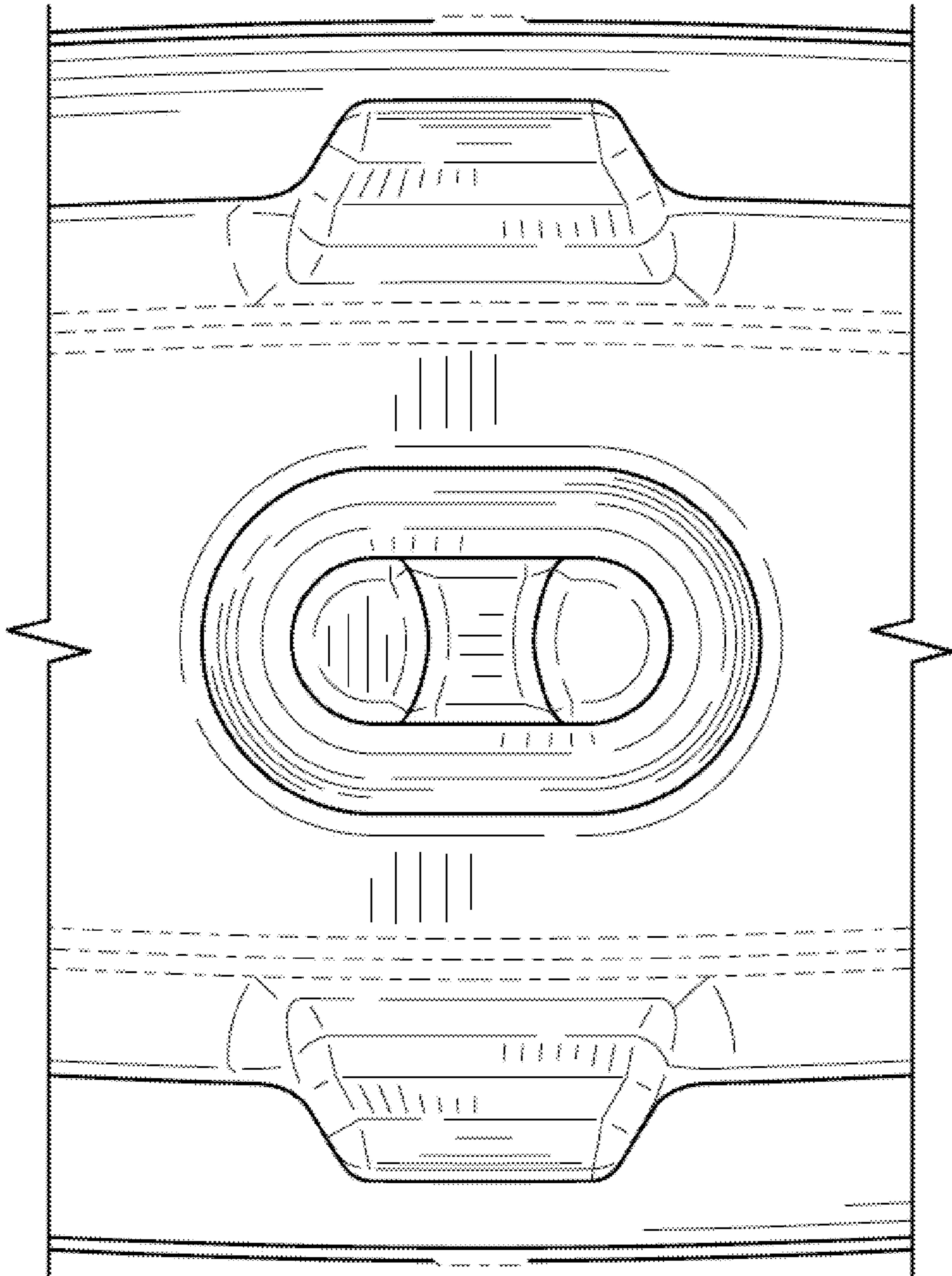


FIG. 6

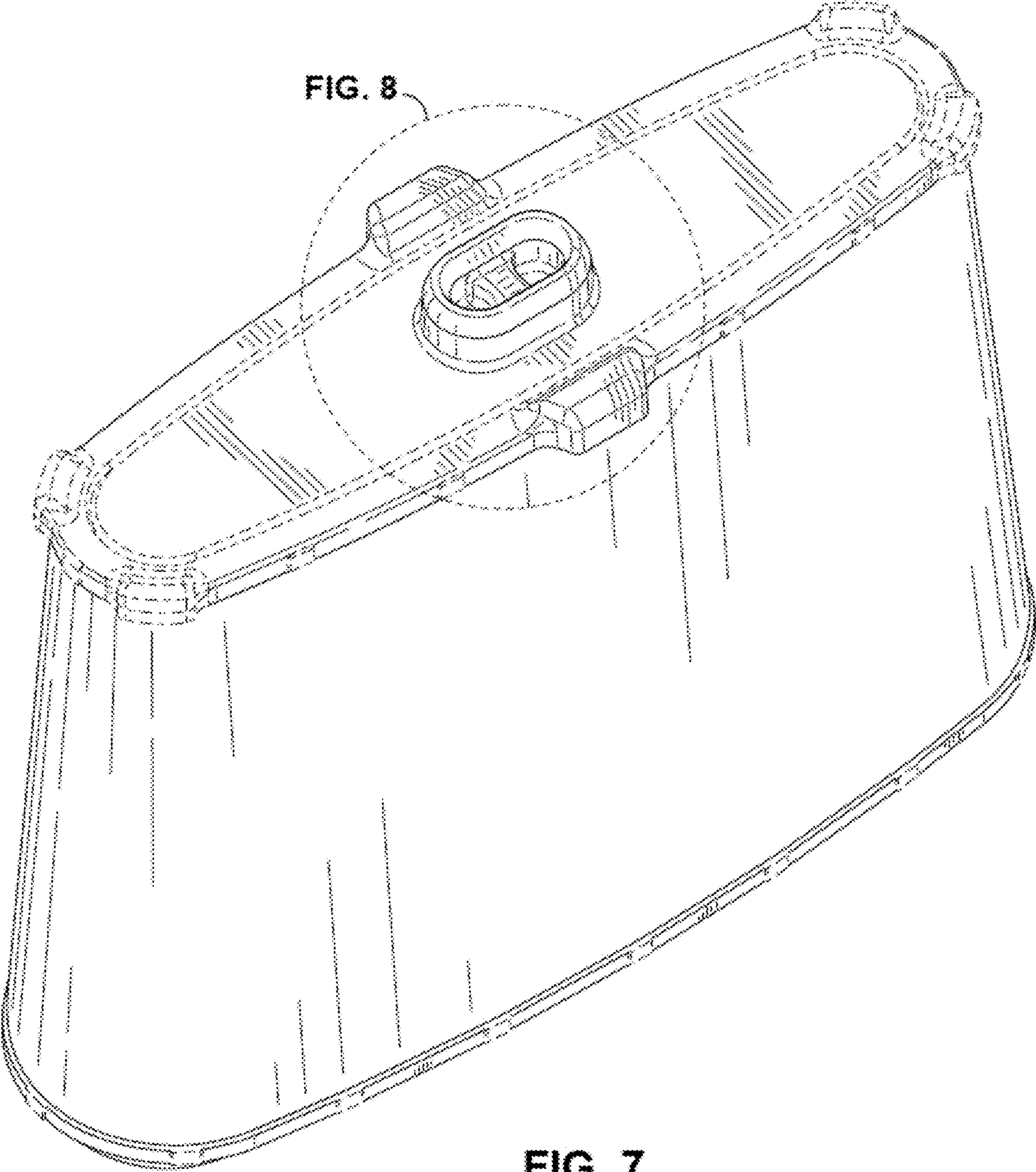


FIG. 8

FIG. 7

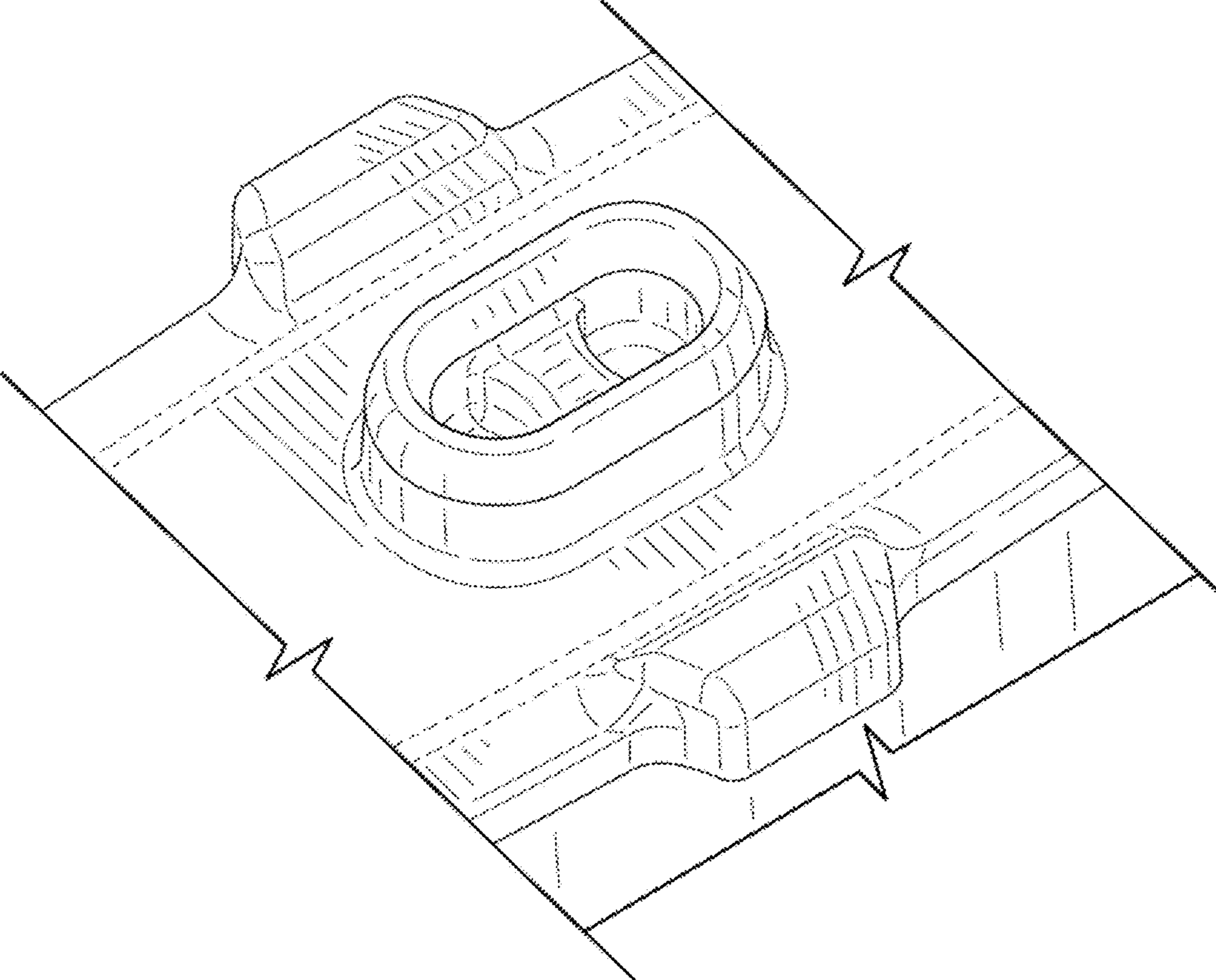


FIG. 8