



US00D890315S

(12) **United States Design Patent** (10) **Patent No.:** **US D890,315 S**  
**Inovero et al.** (45) **Date of Patent:** **\*\* Jul. 14, 2020**

(54) **PATIO HEATER**

(71) Applicant: **Bond Manufacturing Co., Inc.**,  
Antioch, CA (US)

(72) Inventors: **Trisha Inovero**, Caloocan (PH);  
**Zhirong Zhang**, Shenzhen (CN);  
**Cameron Jenkins**, Antioch, CA (US)

(73) Assignee: **BOND MANUFACTURING CO.,  
INC.**, Antioch, CA (US)

(\*\*) Term: **15 Years**

(21) Appl. No.: **29/693,721**

(22) Filed: **Jun. 4, 2019**

**Related U.S. Application Data**

(63) Continuation of application No. 29/635,711, filed on Feb. 1, 2018, now Pat. No. Des. 850,591, which is a continuation of application No. 29/605,875, filed on May 31, 2017, now Pat. No. Des. 813,999, which is a continuation-in-part of application No. 29/527,814, filed on May 21, 2015, now Pat. No. Des. 812,205.

(51) **LOC (12) Cl.** ..... **23-03**

(52) **U.S. Cl.**  
USPC ..... **D23/317**

(58) **Field of Classification Search**  
USPC ..... D23/323, 328, 332, 336, 339, 342, 386,  
D23/338, 314, 317, 335, 337, 340  
CPC ..... F24C 1/12; F24C 1/10; F24C 3/04; F24C  
15/00; H05B 3/008; F23D 14/145; F24H  
3/006; F24H 9/0057; F24H 9/1881  
See application file for complete search history.

(56) **References Cited**

**U.S. PATENT DOCUMENTS**

D325,963 S \* 5/1992 Anderson ..... D23/342  
D429,324 S 8/2000 Olson et al.  
6,192,878 B1 2/2001 Waters

6,397,835 B1 6/2002 Liang  
D462,426 S 9/2002 Jeng  
D462,427 S 9/2002 Jeng  
D465,836 S 11/2002 Smith et al.  
D471,967 S 3/2003 Bossler  
6,651,647 B2 11/2003 Waters  
D486,211 S 2/2004 Chan et al.  
D509,291 S 9/2005 Cunningham  
D537,154 S 2/2007 Cunningham  
D563,537 S 3/2008 McColgin

(Continued)

**FOREIGN PATENT DOCUMENTS**

AU 2003 203 464 10/2003  
FR 2814223 3/2002

**OTHER PUBLICATIONS**

Evenglo Specification Sheet, IR Energy, May 31, 2017, 5 pages.

(Continued)

*Primary Examiner* — T Chase Nelson

*Assistant Examiner* — Ania Aman

(74) *Attorney, Agent, or Firm* — Weide & Miller, Ltd.

(57) **CLAIM**

The ornamental design for a patio heater, as shown and described.

**DESCRIPTION**

FIG. 1 is a perspective view of a patio heater showing the new design.

FIG. 2 is a front view of the design shown in FIG. 1.

FIG. 3 is a back view of the design shown in FIG. 1.

FIG. 4 is a right-side view of the design shown in FIG. 1.

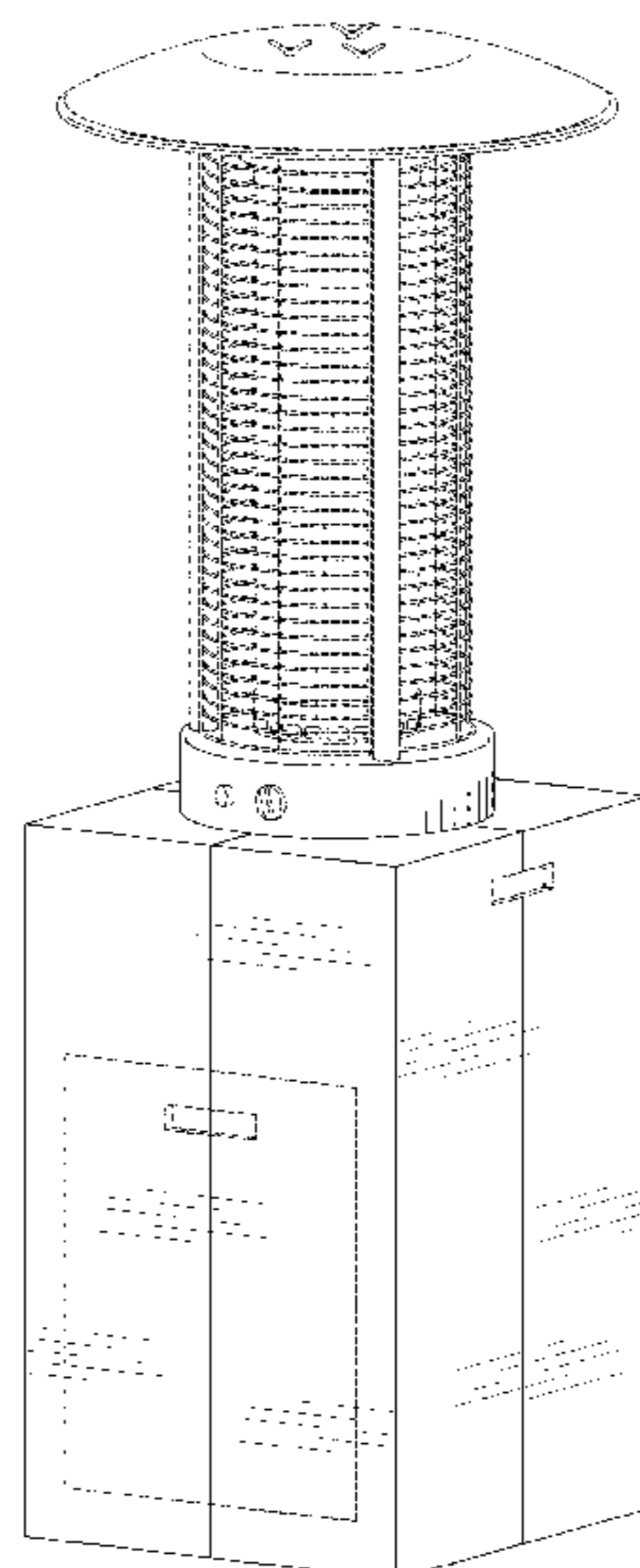
FIG. 5 is a left-side view of the design shown in FIG. 1.

FIG. 6 is a top view of the design shown in FIG. 1; and,

FIG. 7 is a bottom view of the design shown in FIG. 1.

The broken lines indicate unclaimed portions of the article and form no part of the claimed design.

**1 Claim, 7 Drawing Sheets**



(56)

References Cited

U.S. PATENT DOCUMENTS

D567,916 S 4/2008 McColgin  
 D594,949 S 6/2009 Wang  
 D616,972 S 6/2010 Wang  
 D620,569 S 7/2010 Hall, Jr. et al.  
 D639,919 S 6/2011 Yu  
 D640,355 S 6/2011 Yu  
 D663,811 S 7/2012 Ren  
 D688,360 S 8/2013 Paz  
 8,542,987 B2 9/2013 Yen  
 D718,850 S 12/2014 Stokke  
 D756,496 S 5/2016 Wang  
 9,328,927 B2 5/2016 Wang  
 9,404,671 B2 8/2016 Liang  
 10,371,386 B2\* 8/2019 Yang ..... F24C 1/12  
 2001/0037804 A1 11/2001 Waters  
 2003/0056782 A1 3/2003 Liang  
 2003/0056783 A1 3/2003 Bossler  
 2004/0011346 A1 1/2004 Sakai  
 2004/0226551 A1 11/2004 Duphily  
 2005/0175950 A1\* 8/2005 Waters ..... F24C 1/12  
 432/209  
 2007/0101983 A1\* 5/2007 Yao ..... F24C 1/14  
 126/92 B

2008/0152329 A1 6/2008 Saunders  
 2009/0053664 A1 2/2009 Staller  
 2009/0223512 A1 9/2009 Konkle  
 2010/0065047 A1 3/2010 Wang  
 2010/0132698 A1 6/2010 Pedersen  
 2013/0014748 A1\* 1/2013 Jin ..... F24C 3/042  
 126/91 A  
 2014/0220293 A1 8/2014 Lavigna et al.  
 2014/0305427 A1 10/2014 Liang  
 2014/0305428 A1 10/2014 Liang  
 2016/0230985 A1 8/2016 Home  
 2016/0348915 A1 12/2016 Yang  
 2017/0167724 A1 6/2017 Wang

OTHER PUBLICATIONS

Gasmate Catalog, Gasmate, the outdoors made easy, Heating & Lighting, www.gasmate.co.nz, 2013-2014, 20 pages.  
 Home Depot Catalog, <http://www.homedepot.com/catalog/productImages/400/3f/3f384a39-69ea-4eb4-9-caa-bd9d>, 1 page, printed Nov. 4, 2015.  
 Square image, Square, <https://secure.img1.wfrcdn.com/1f/87/hash/1523/3972126/1/Square%2BFlame%2BHeater>, 1 page, printed Nov. 4, 2015.

\* cited by examiner

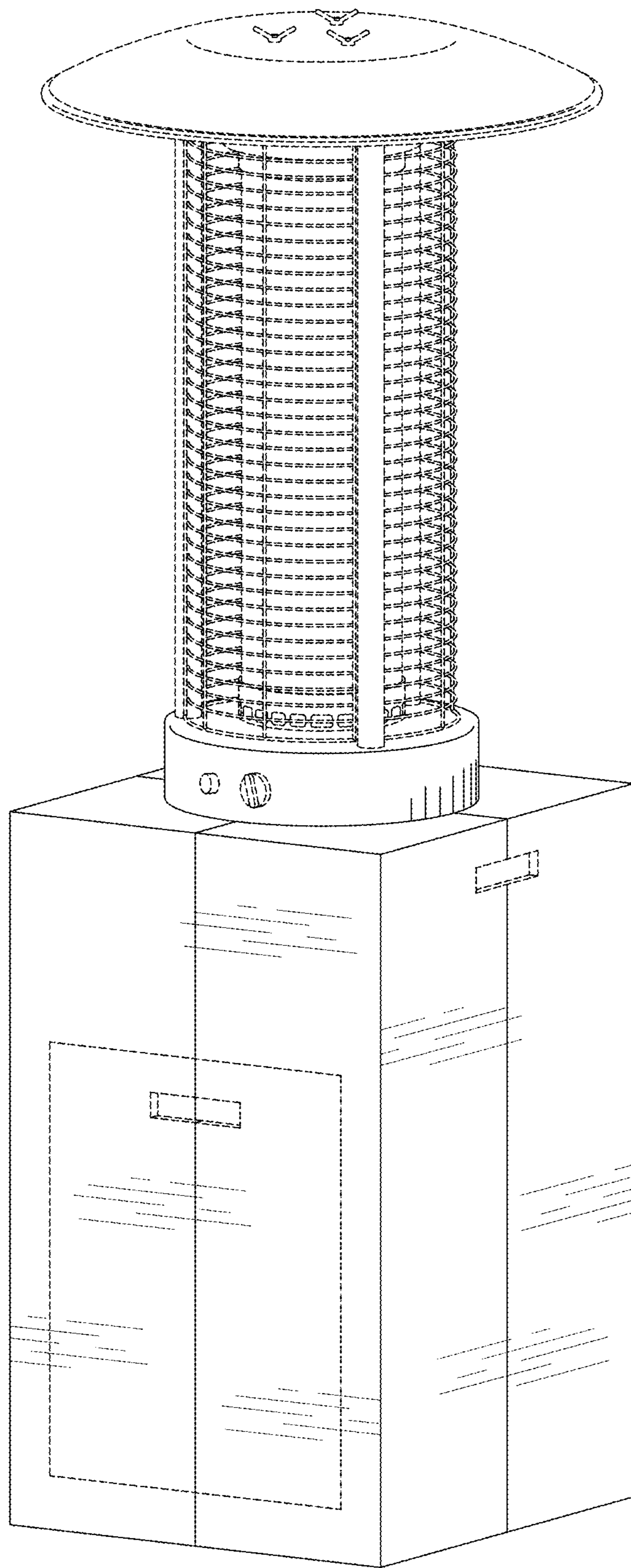


FIG. 1

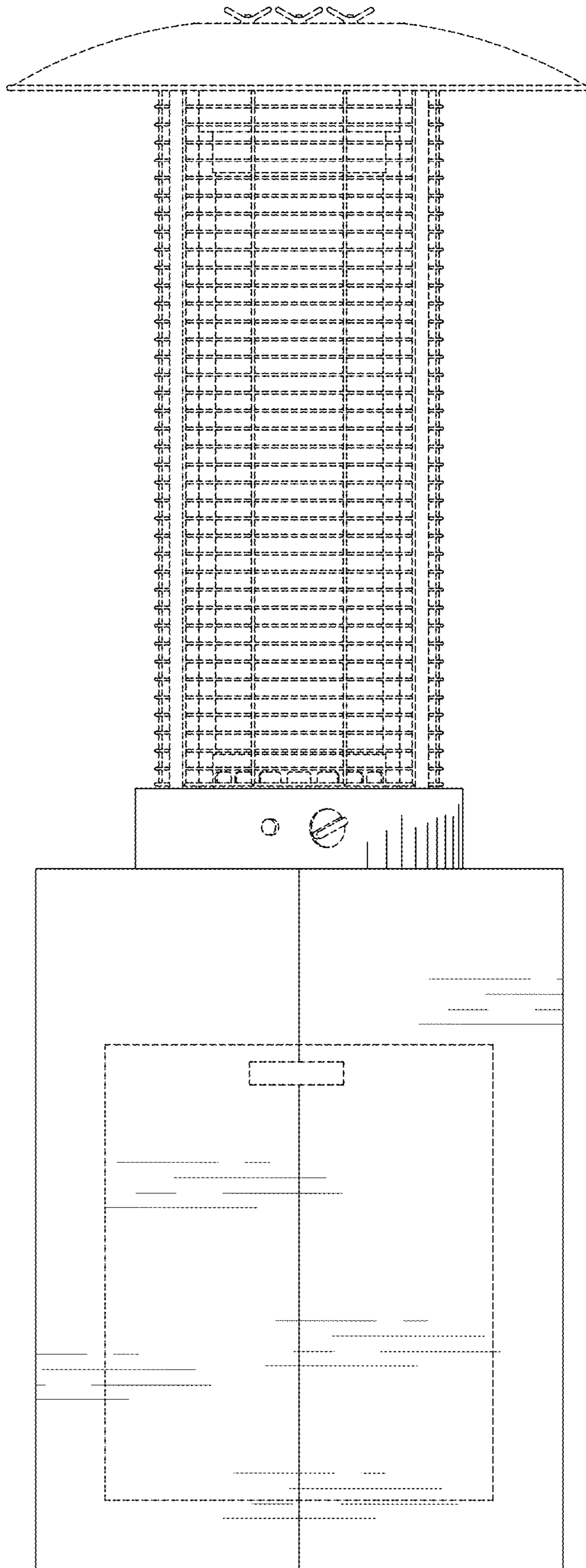


FIG. 2

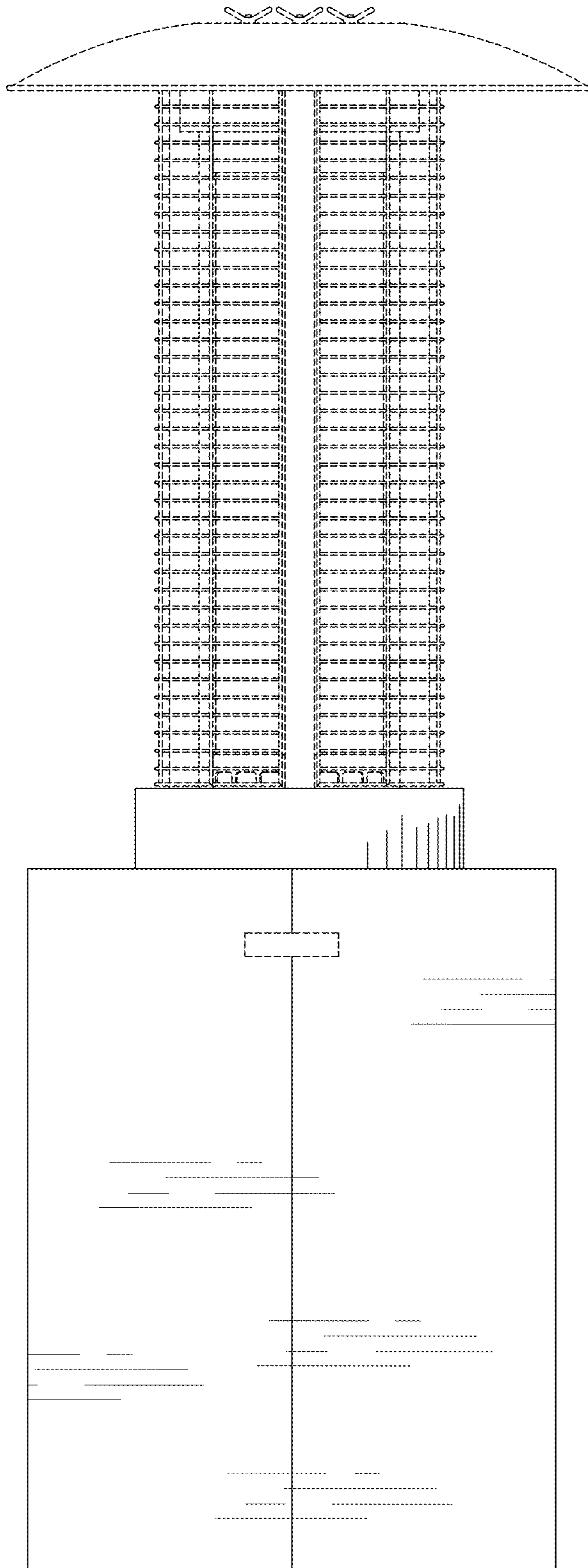


FIG. 3

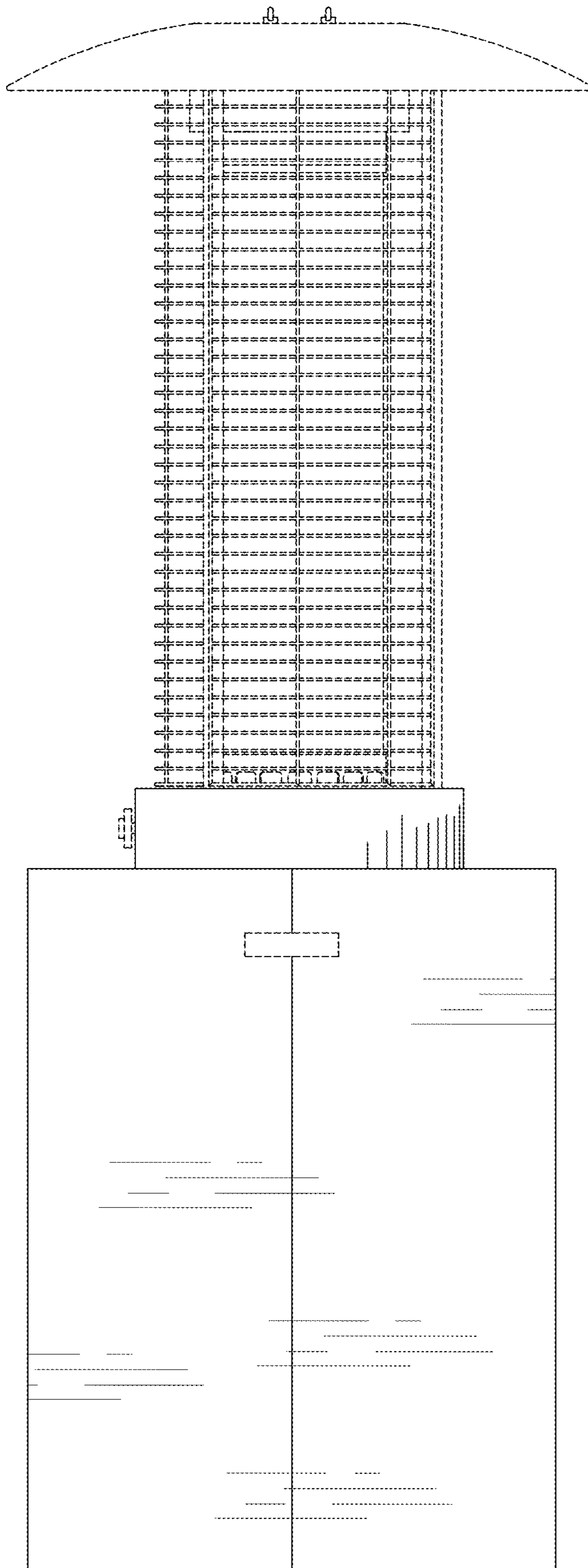


FIG. 4

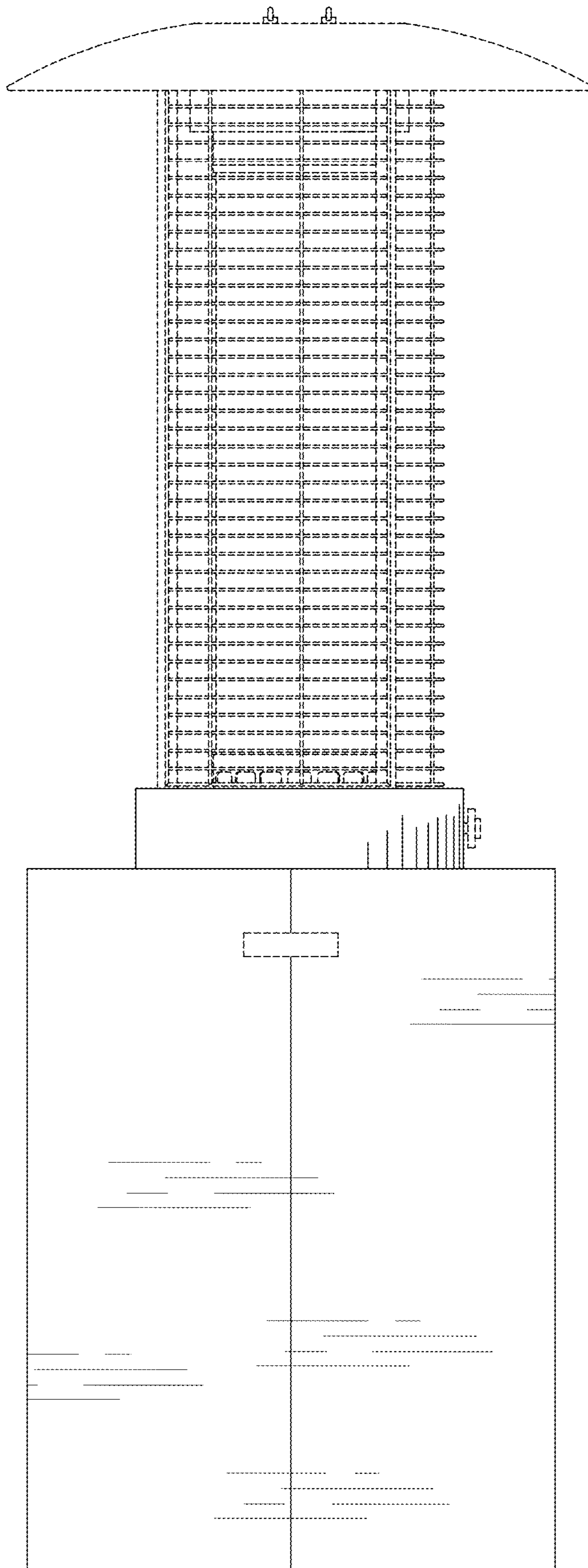


FIG. 5

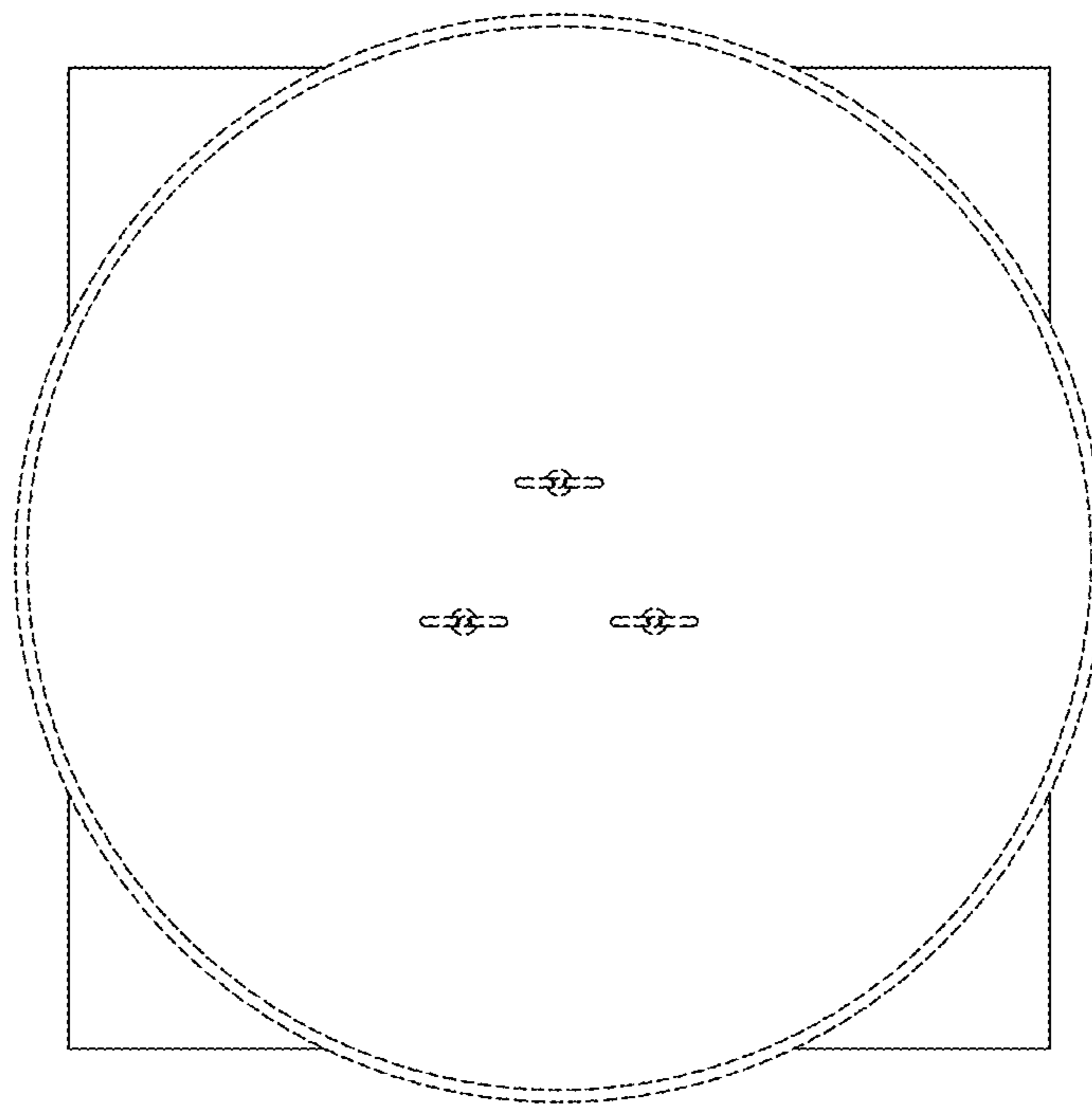


FIG. 6



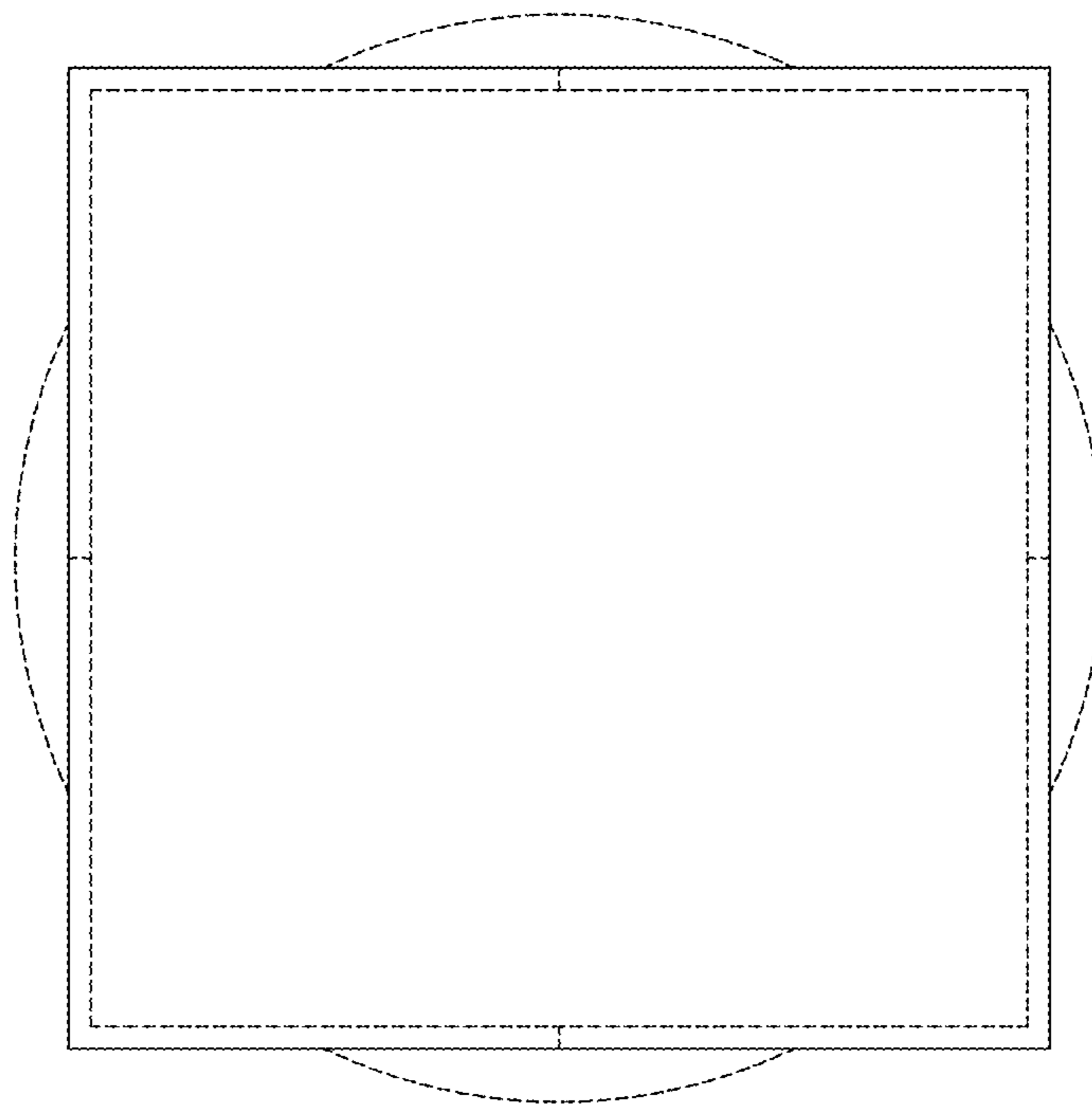


FIG. 7