



US00D890314S

(12) **United States Design Patent**
Yan

(10) **Patent No.:** **US D890,314 S**

(45) **Date of Patent:** **** Jul. 14, 2020**

(54) **BIDET**

(71) Applicant: **Xiamen Galenpoo Kitchen & Bathroom Technology Co., Ltd.**,
Fujian Province (CN)

(72) Inventor: **Xiaoling Yan**, Fujian Province (CN)

(**) Term: **15 Years**

(21) Appl. No.: **29/729,492**

(22) Filed: **Mar. 26, 2020**

(51) **LOC (12) Cl.** **23-02**

(52) **U.S. Cl.**
USPC **D23/309**

(58) **Field of Classification Search**
USPC D23/303, 309, 311
CPC E03D 9/08
See application file for complete search history.

(56) **References Cited**

U.S. PATENT DOCUMENTS

4,642,820	A *	2/1987	Boring, Jr.	E03D 9/08 137/616.7
5,647,069	A *	7/1997	Han	E03D 9/08 4/420.2
5,933,881	A *	8/1999	Smith	E03D 9/08 4/420.4
5,953,766	A *	9/1999	Szoke	E03D 9/08 4/420.4
8,296,872	B2 *	10/2012	Yao	E03D 9/08 4/420.2
9,745,732	B2 *	8/2017	Suggs	E03D 9/052
D873,982	S *	1/2020	Gupta	D23/309

D874,621	S *	2/2020	Gupta	D23/309
D875,907	S	2/2020	Jiang		
2010/0306909	A1 *	12/2010	Chen	A47K 13/26 4/236
2016/0010319	A1 *	1/2016	Willers	E03D 9/08 4/448
2016/0037982	A1 *	2/2016	Zhou	A47K 13/26 4/240

* cited by examiner

Primary Examiner — Robert A Delehanty

(74) *Attorney, Agent, or Firm* — ZANIP

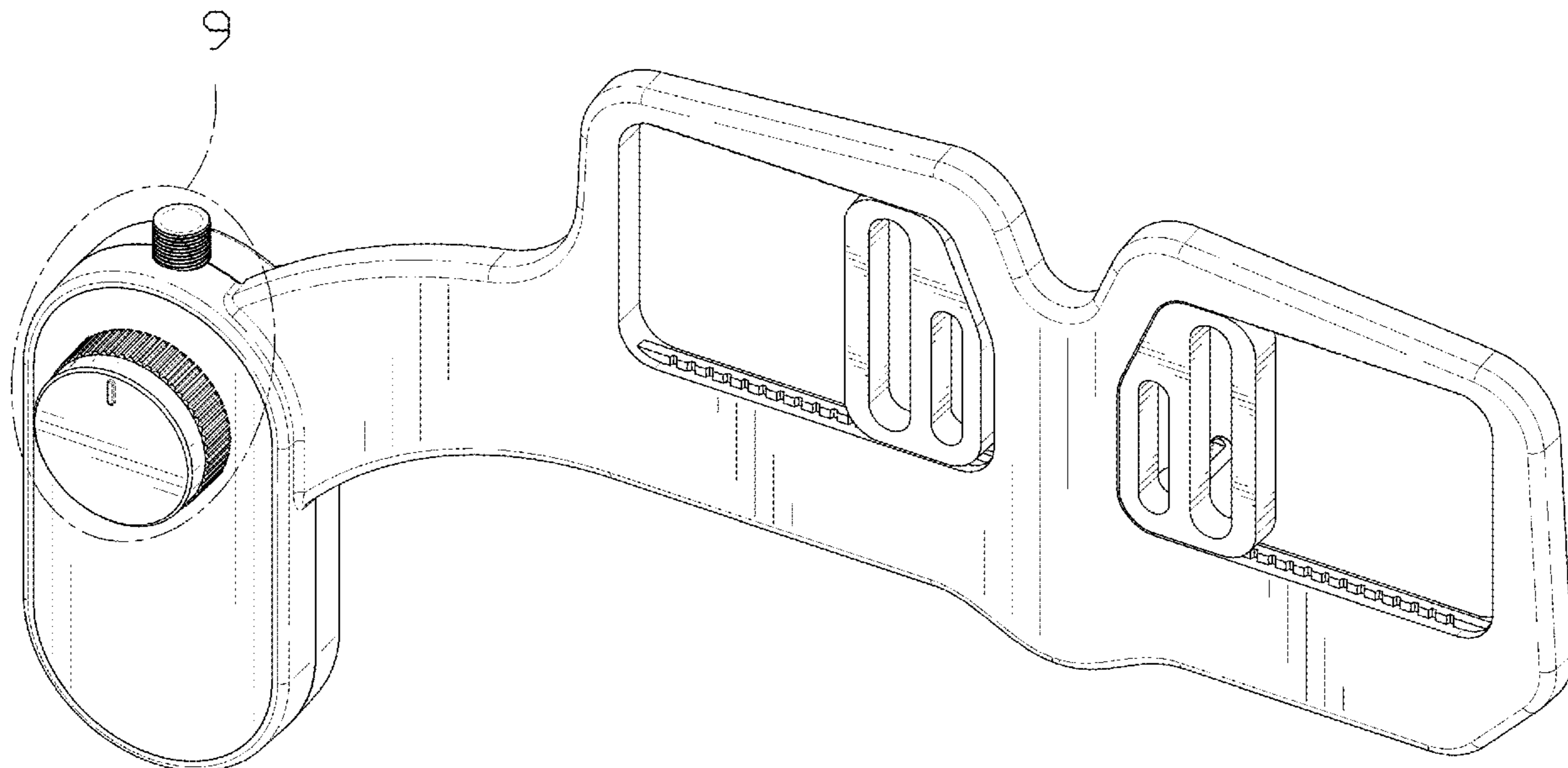
(57) **CLAIM**

The ornamental design for a bidet, as shown and described.

DESCRIPTION

FIG. 1 is a front perspective view of a bidet, showing my new design;
 FIG. 2 is a rear perspective view thereof;
 FIG. 3 is a front elevational view thereof;
 FIG. 4 is a rear elevational view thereof;
 FIG. 5 is a left side elevational view thereof;
 FIG. 6 is a right side elevational view thereof;
 FIG. 7 is a top plan view thereof;
 FIG. 8 is a bottom plan view thereof; and,
 FIG. 9 is an enlarged, view of a portion indicated in FIG. 1.
 The broken lines in the figures illustrate portions of the bidet that form no part of the claimed design. The dash dot dash lines in FIGS. 1 and 9 are for the purpose of depicting the cut line of the enlarged view and form no part of the claim.

1 Claim, 9 Drawing Sheets



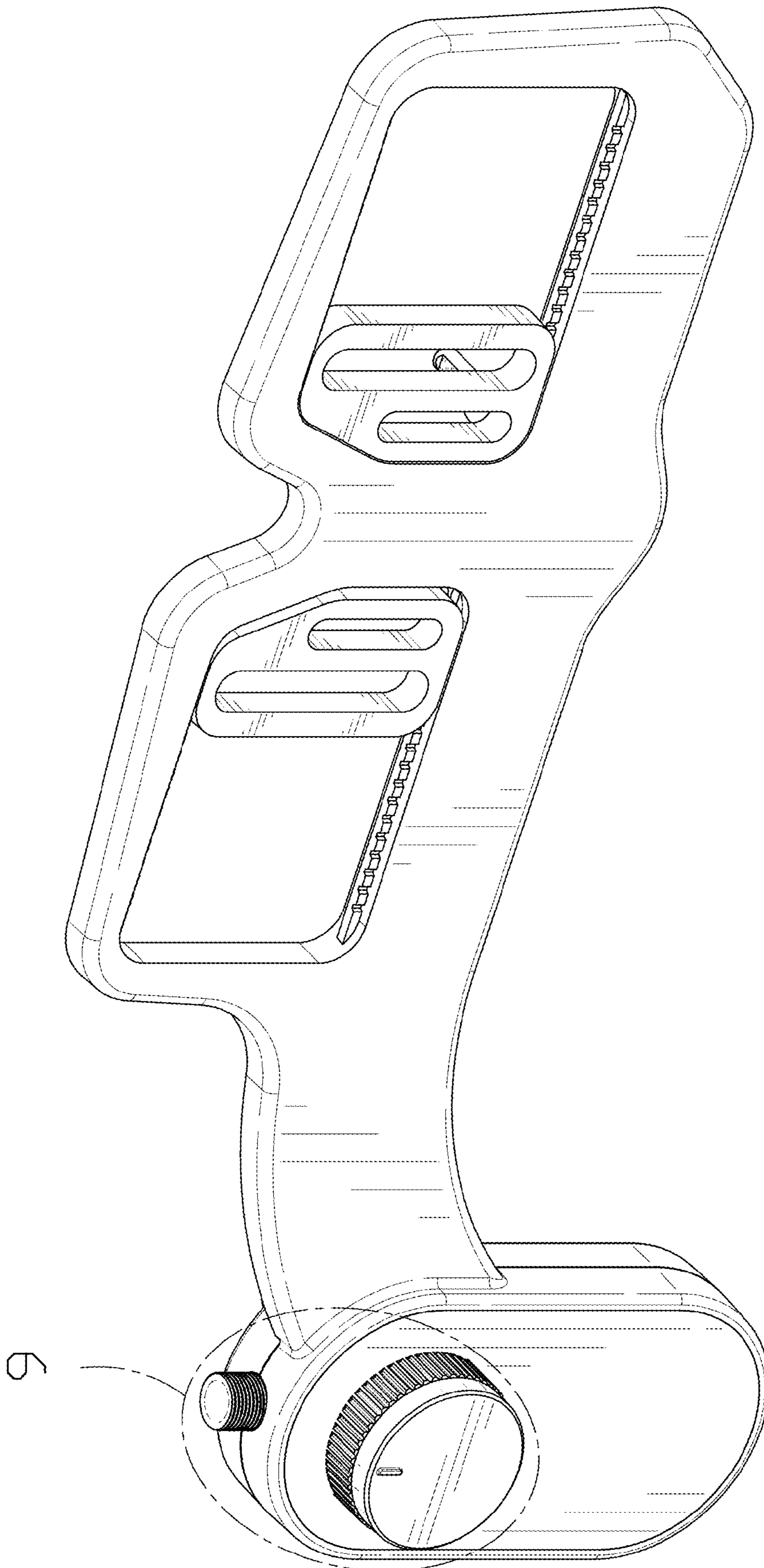


FIG. 1

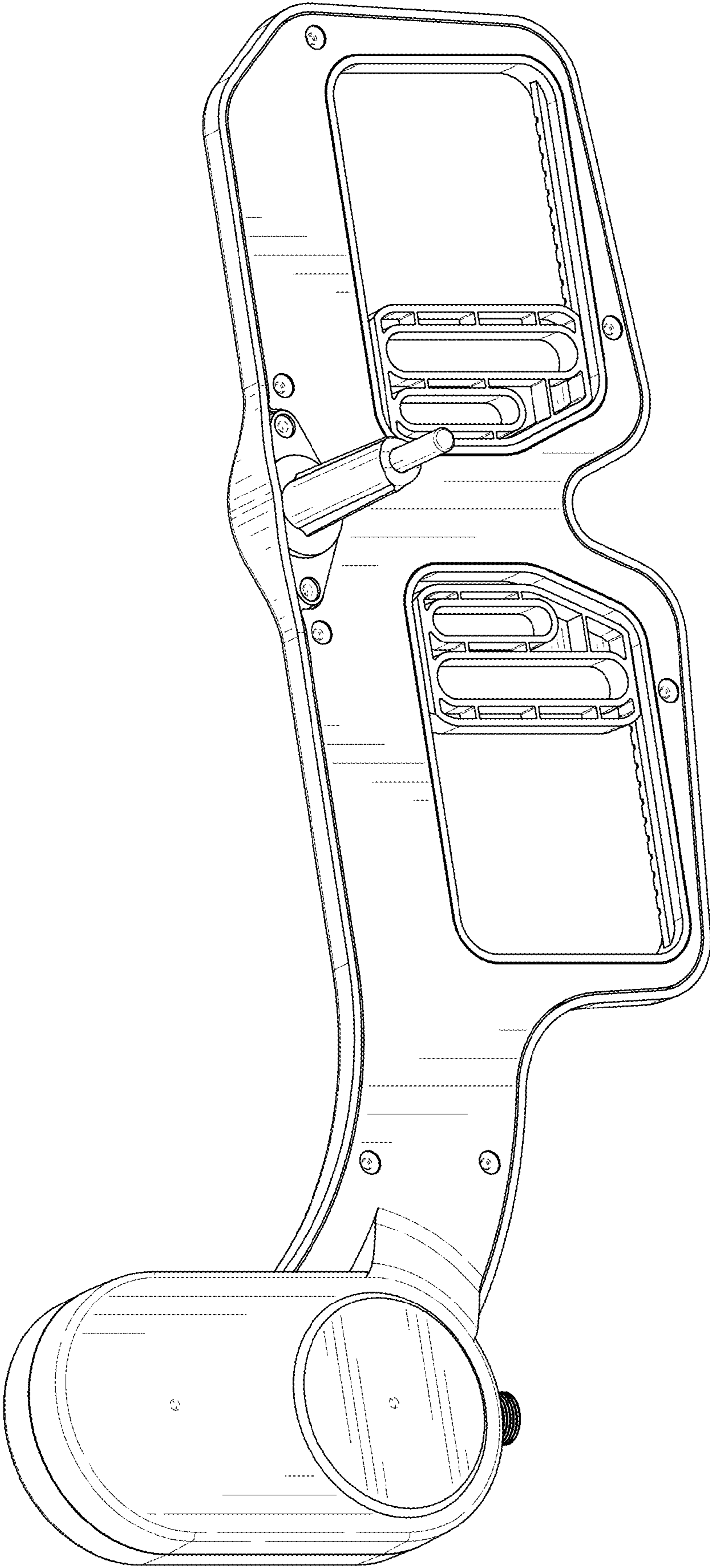


FIG. 2

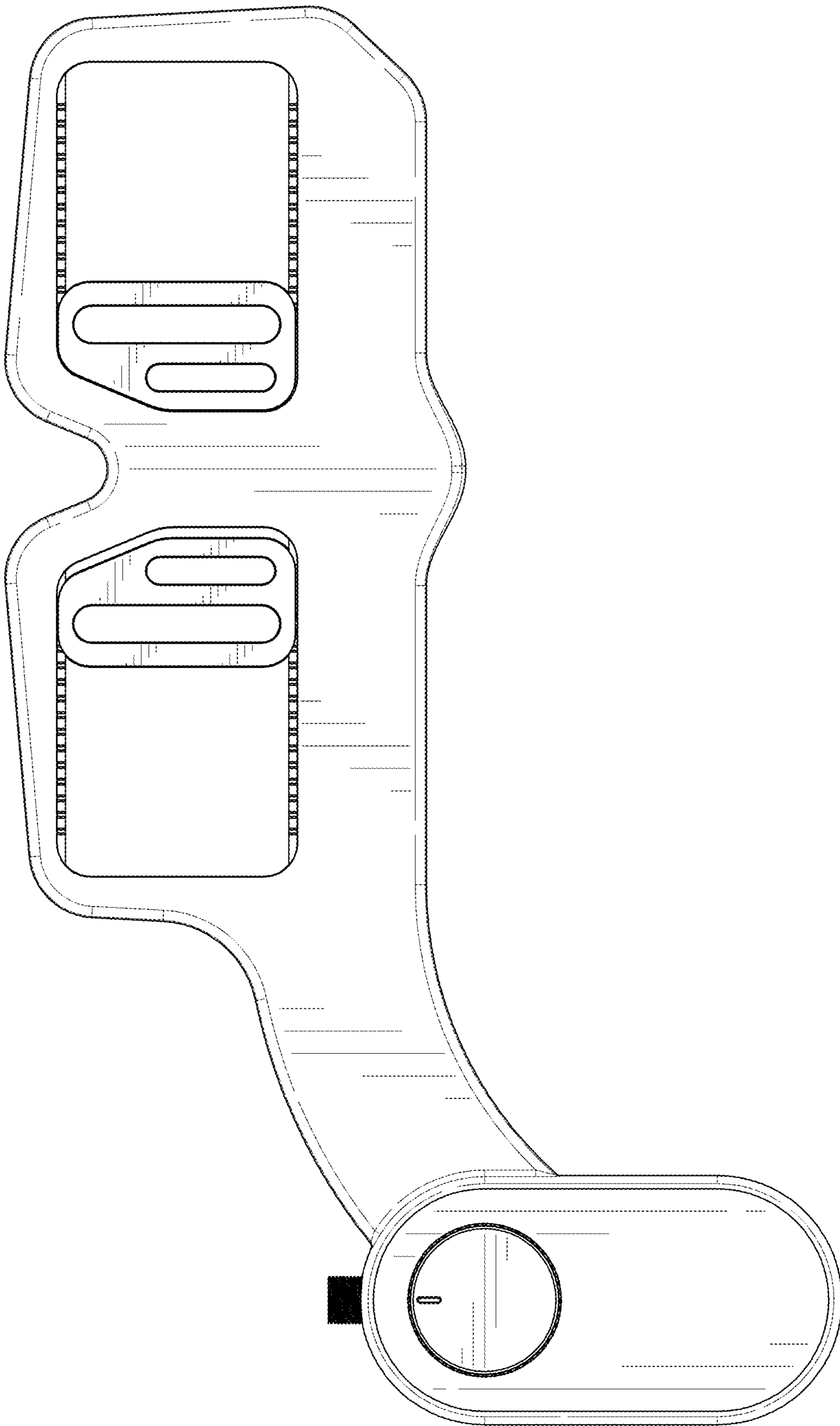


FIG. 3

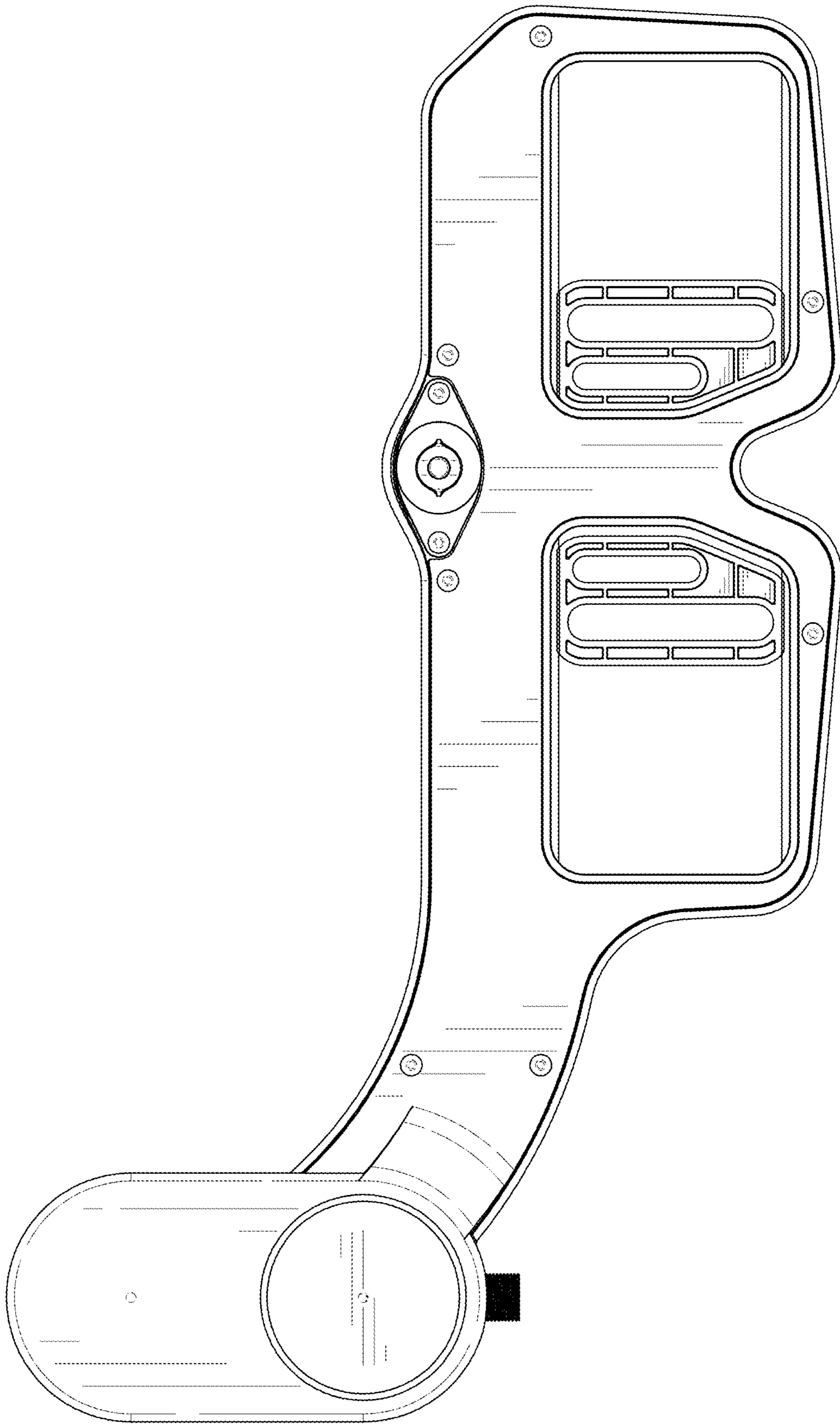


FIG. 4

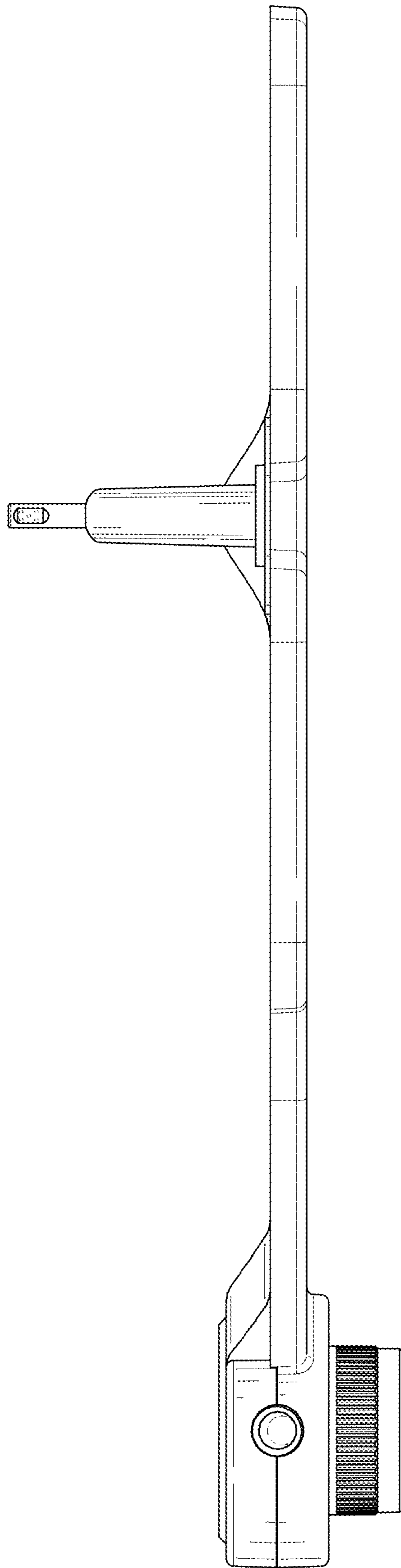


FIG. 5

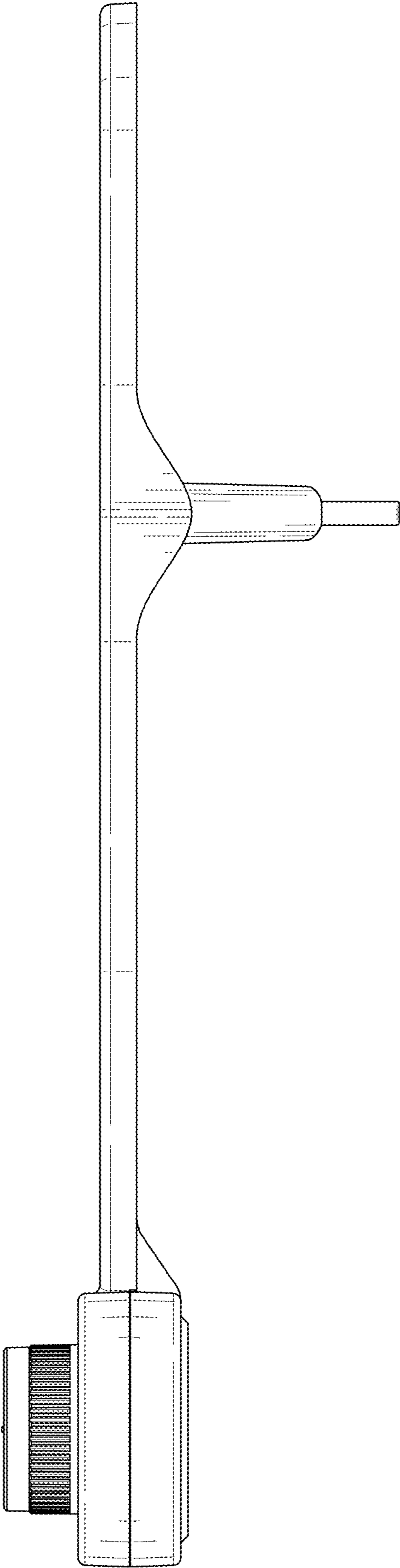


FIG. 6

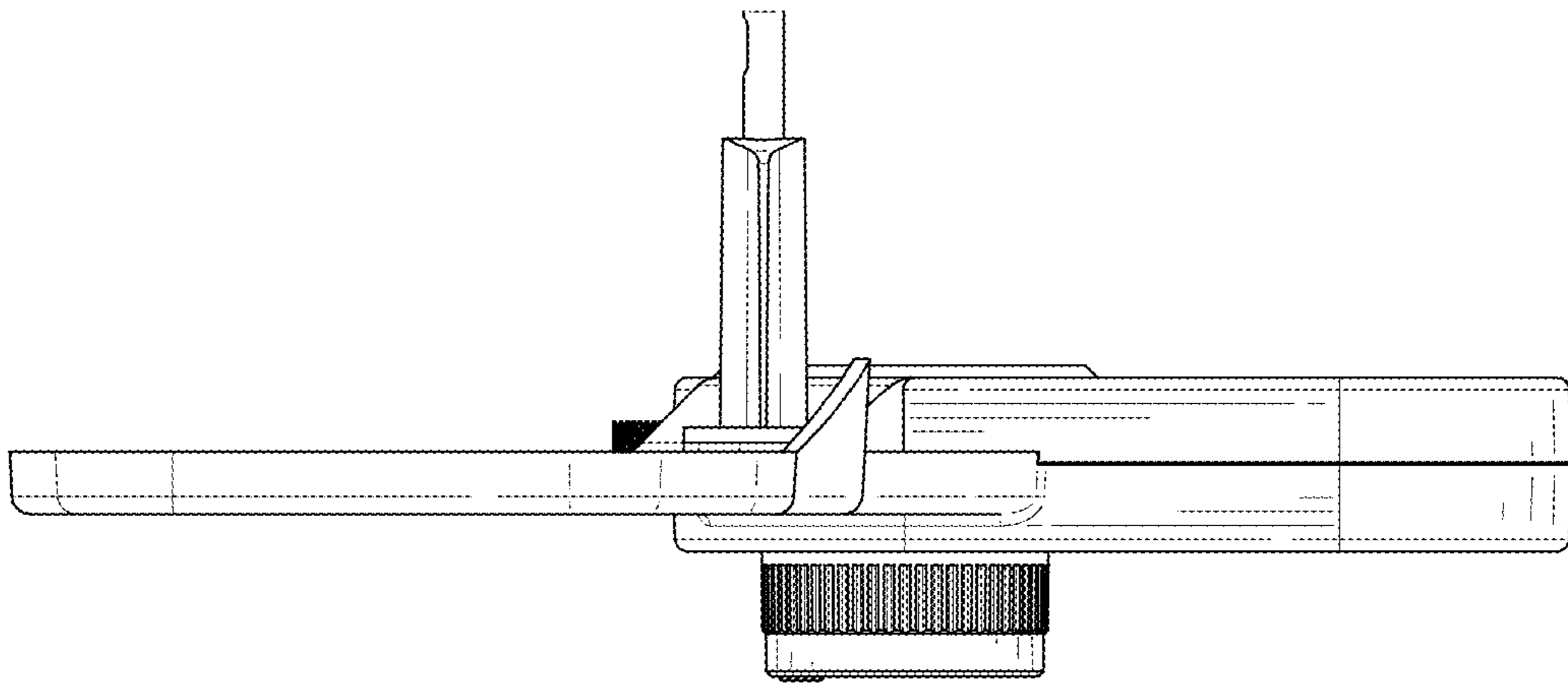


FIG. 7

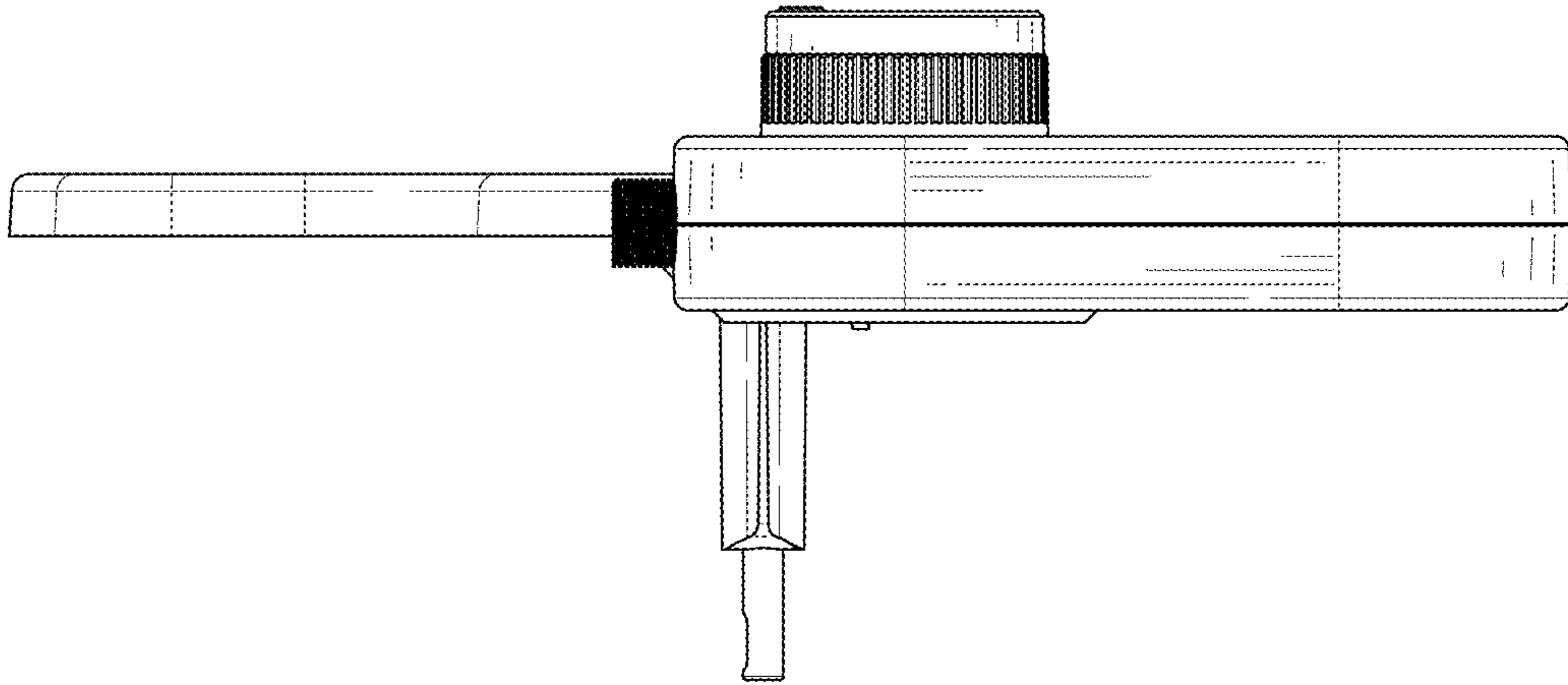


FIG. 8

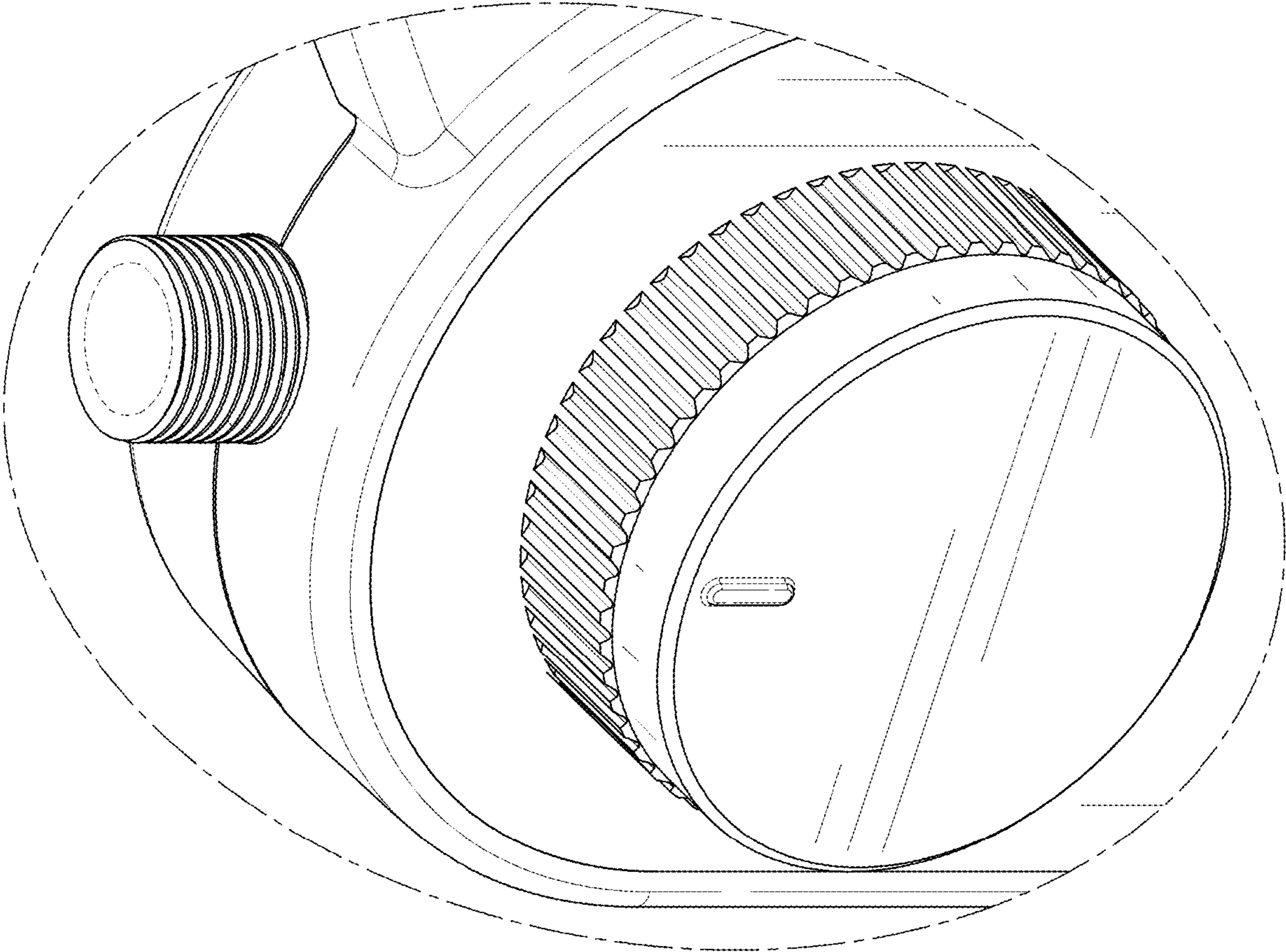


FIG. 9