



US00D890312S

(12) **United States Design Patent** (10) **Patent No.:** **US D890,312 S**
Wegner et al. (45) **Date of Patent:** **** Jul. 14, 2020**

(54) **SINK APRON**
(71) Applicant: **Kohler Co.**, Kohler, WI (US)
(72) Inventors: **Matthew R. Wegner**, Sheboygan, WI (US); **Niels J. Eilmus**, Sheboygan, WI (US); **Christopher J. Santos**, Sheboygan Falls, WI (US)
(73) Assignee: **KOHLER CO.**, Kohler, WI (US)
(**) Term: **15 Years**
(21) Appl. No.: **29/733,523**
(22) Filed: **May 4, 2020**

D624,635 S 9/2010 Eckhaus
D627,449 S 11/2010 Eckhaus
8,088,468 B2 1/2012 Maggio
8,096,678 B2 1/2012 Jones et al.
D663,389 S 7/2012 Miller et al.
D671,197 S 11/2012 Miller et al.
D685,456 S 7/2013 Eckhaus
D685,457 S 7/2013 Eckhaus
8,844,070 B2 9/2014 Booth et al.
9,228,331 B1 1/2016 Weinstein
9,492,010 B2 11/2016 Booth et al.
9,708,064 B2 7/2017 Vandewall et al.
2005/0223486 A1 10/2005 Jumalon
2007/0157378 A1 7/2007 Kendall et al.
(Continued)

Related U.S. Application Data

(62) Division of application No. 29/707,971, filed on Oct. 2, 2019, now Pat. No. Des. 886,255, which is a division of application No. 29/661,308, filed on Aug. 27, 2018, now Pat. No. Des. 877,243.
(51) **LOC (12) Cl.** **23-02**
(52) **U.S. Cl.**
USPC **D23/308**
(58) **Field of Classification Search**
USPC D23/284, 293.1, 308
See application file for complete search history.

References Cited

U.S. PATENT DOCUMENTS

3,508,282 A 4/1970 Phillips, Jr.
4,305,166 A 12/1981 Rose
D427,670 S 7/2000 Svendsen et al.
6,154,895 A 12/2000 Pisklak
6,212,707 B1 4/2001 Thompson et al.
6,564,398 B1 5/2003 Trott
D484,956 S 1/2004 Rachiele
D494,665 S 8/2004 Herbeau
7,481,473 B1 1/2009 Warning
7,594,706 B2 9/2009 Styka et al.
D620,091 S 7/2010 Eckhaus

FOREIGN PATENT DOCUMENTS

WO WO-2012/069682 A1 5/2012

OTHER PUBLICATIONS

Kohler's Fixtures 2014 price book; pp. 352-355.

Primary Examiner — Robert A Delehanty

(74) *Attorney, Agent, or Firm* — Foley & Lardner LLP

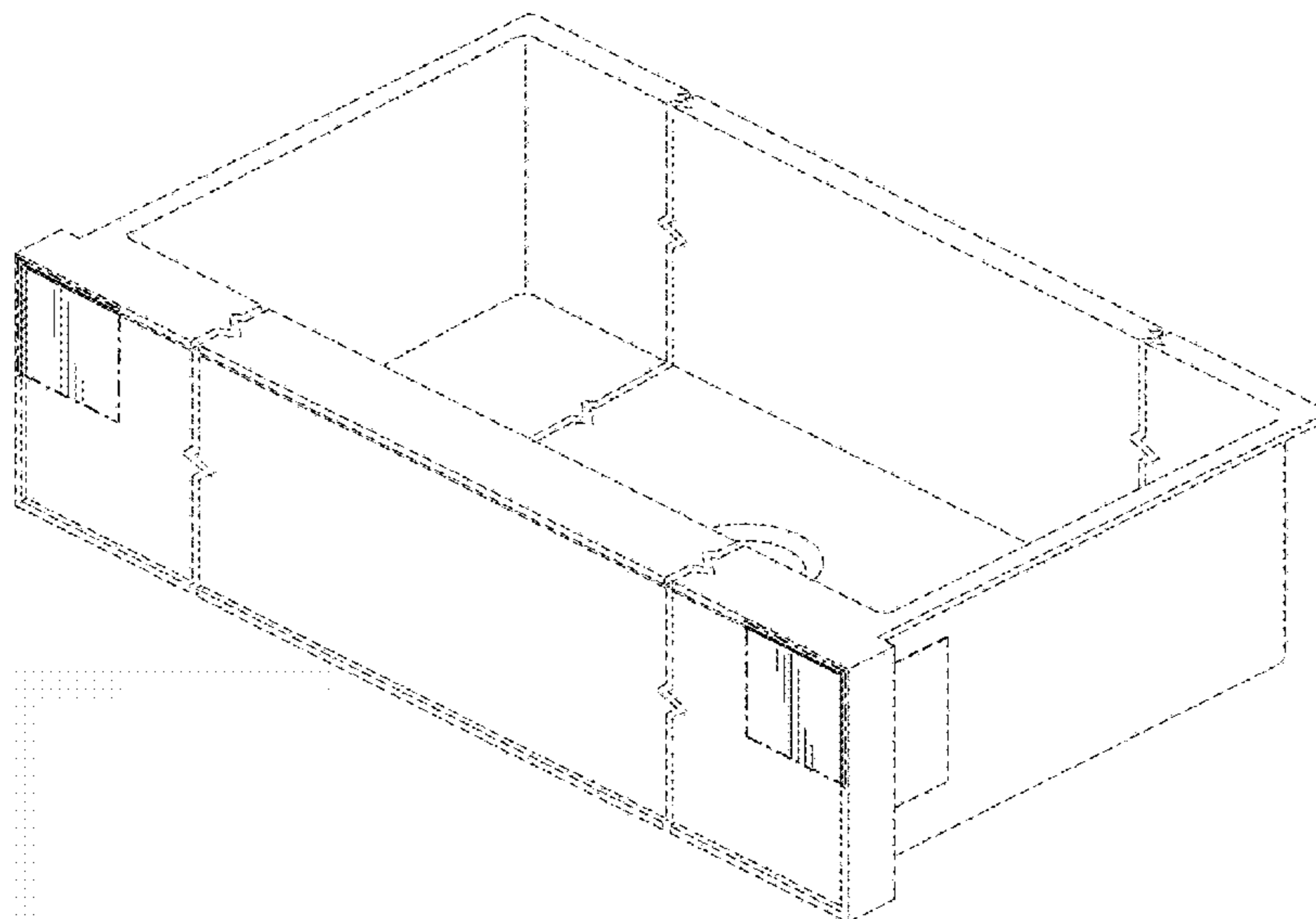
(57) **CLAIM**

We claim the ornamental design for an sink apron, as shown and described.

DESCRIPTION

FIG. 1 is a top, front, right perspective view of another embodiment of the claimed design; FIG. 2 is a front elevation view thereof; and, FIG. 3 is a partial cross-sectional view taken along lines 2-2 in FIG. 2. The ornamental design which is claimed is shown in solid lines in the drawings. The broken lines in the drawings are for illustrative purposes only and form no part of the claimed design.

1 Claim, 3 Drawing Sheets



(56)

References Cited

U.S. PATENT DOCUMENTS

2009/0139023	A1	6/2009	Talerico
2016/0045027	A1	2/2016	Alkoby
2016/0215484	A1	7/2016	Williams
2017/0130433	A1	5/2017	Franco
2018/0030703	A1	2/2018	Cagliari et al.

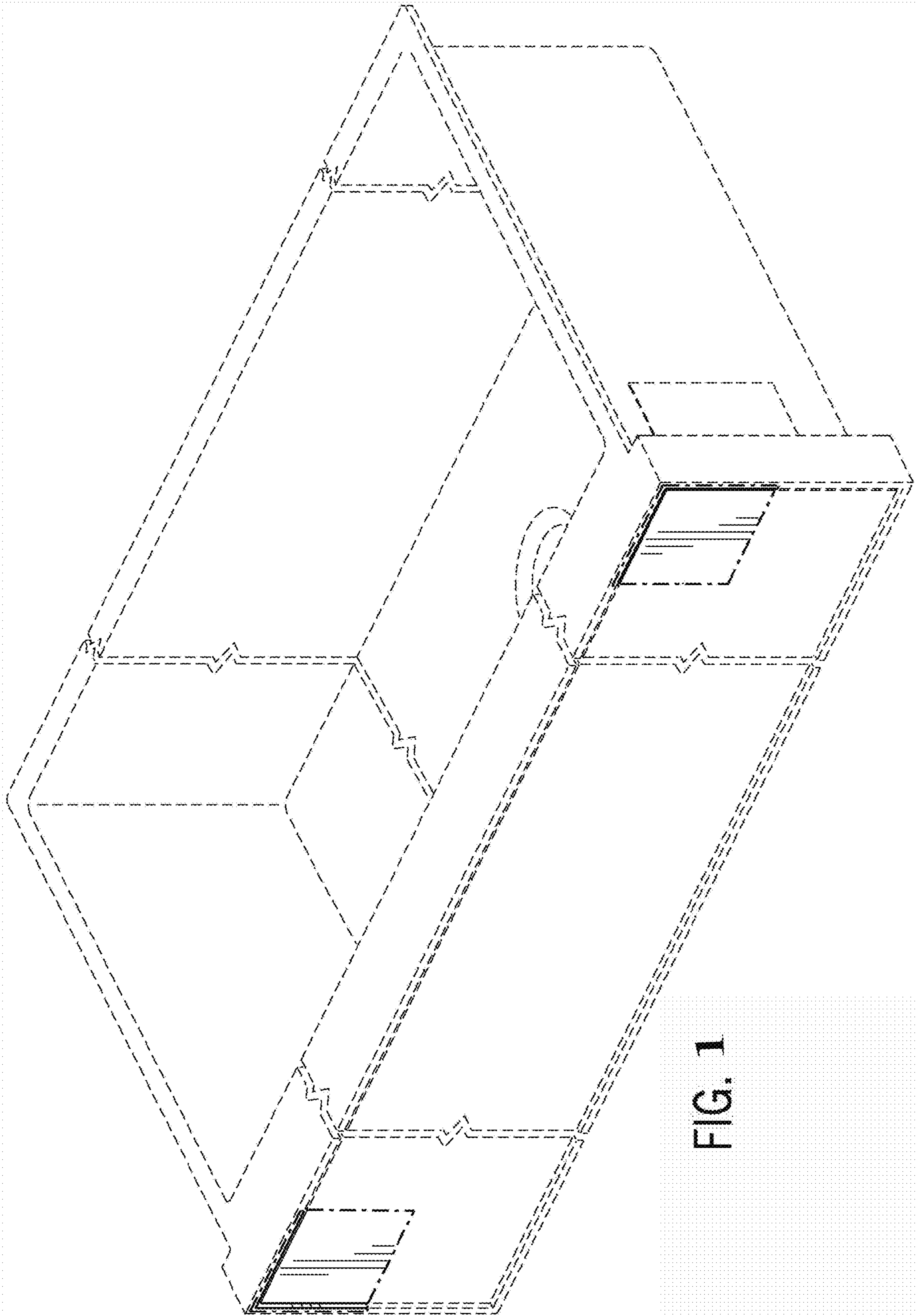


FIG. 1

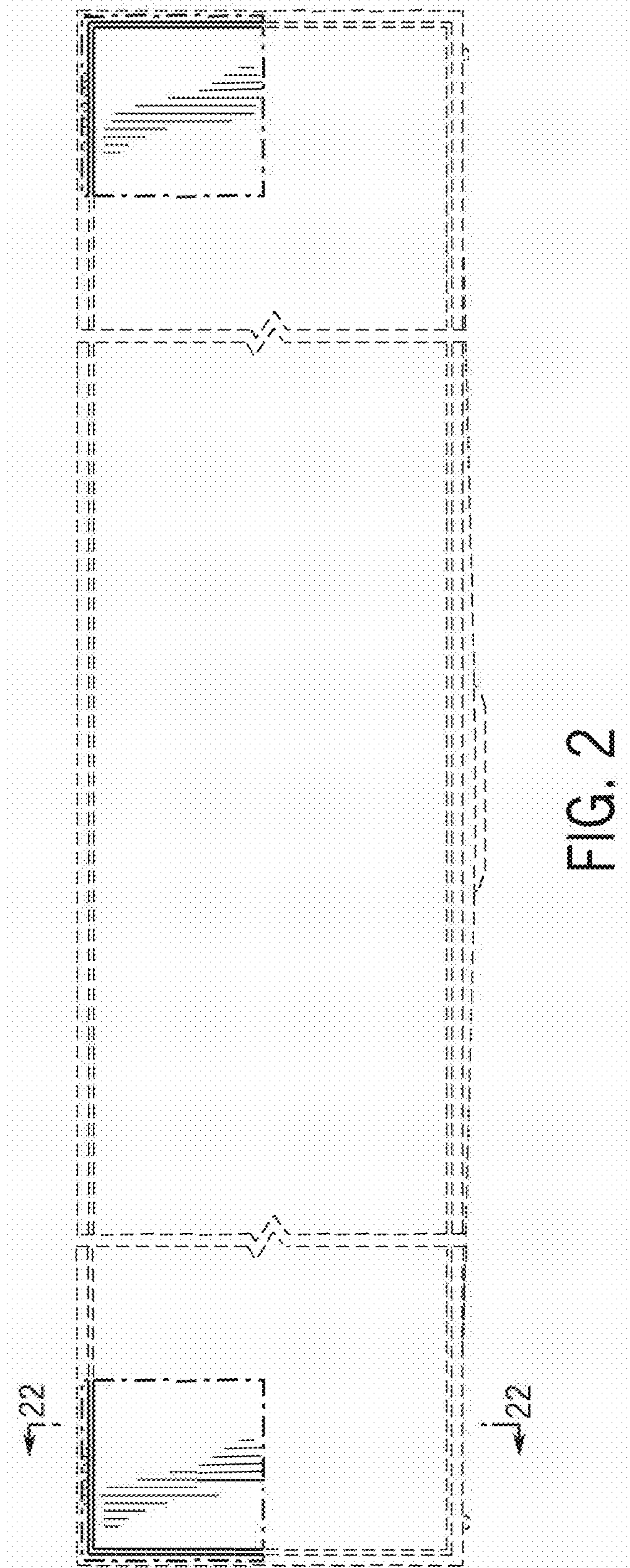


FIG. 2

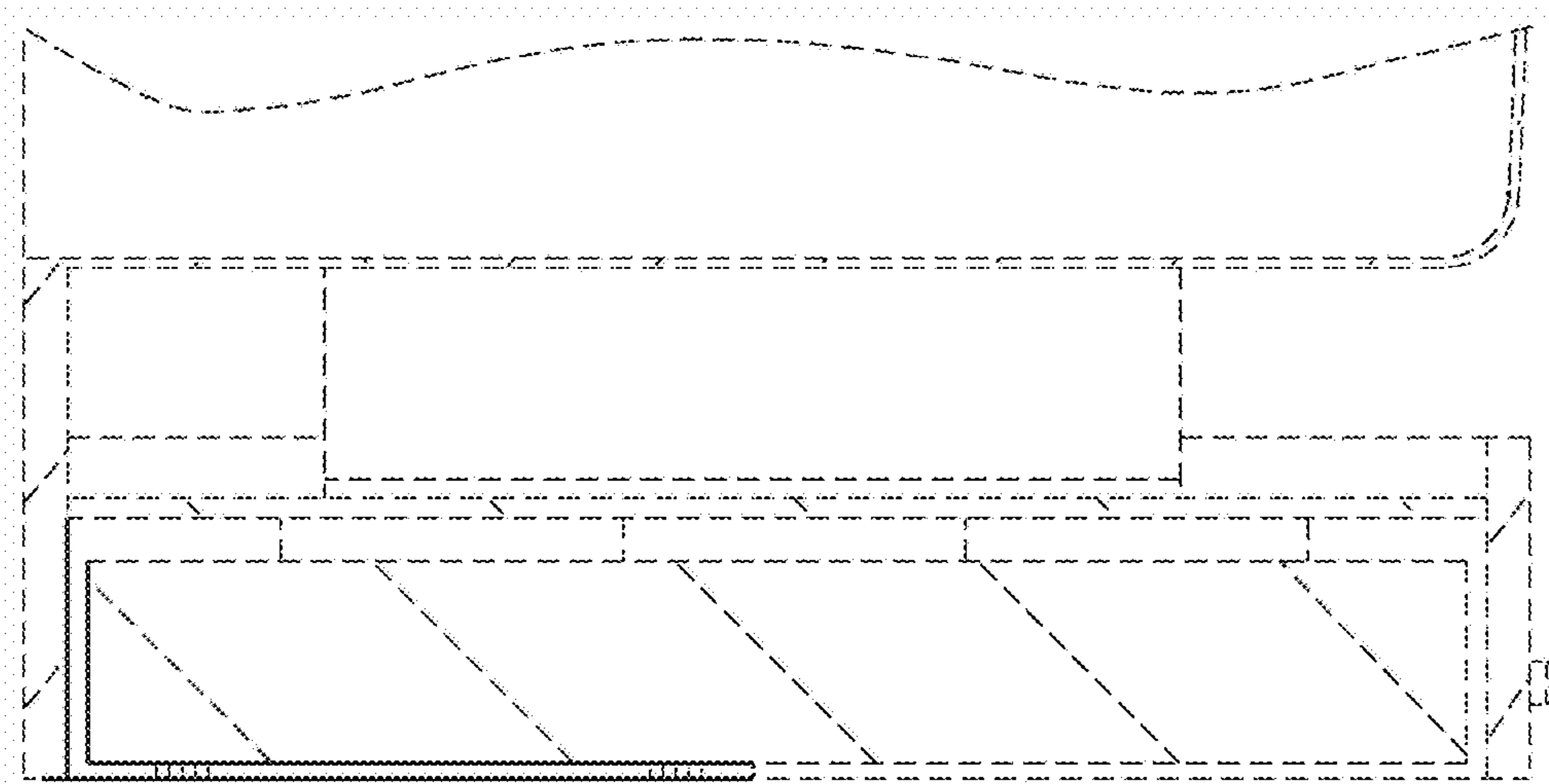


FIG. 3