



US00D890309S

(12) **United States Design Patent**  
**Murray**

(10) **Patent No.:** **US D890,309 S**  
(45) **Date of Patent:** **\*\* Jul. 14, 2020**

(54) **WATER COOLING APPARATUS**  
(71) Applicant: **Ernest Russell Murray**, Pendleton, SC (US)  
(72) Inventor: **Ernest Russell Murray**, Pendleton, SC (US)  
(\*\*) Term: **15 Years**  
(21) Appl. No.: **29/658,218**  
(22) Filed: **Jul. 30, 2018**  
(51) **LOC (12) Cl.** ..... **23-01**  
(52) **U.S. Cl.**  
USPC ..... **D23/266**  
(58) **Field of Classification Search**  
USPC ..... D23/259, 268, 262, 266, 213–214, D23/263–265; 138/39, 104, 106, 109, 138/198, 210, 38, 89, 90; 403/104; 285/125.1, 126.1, 129.1, 129.2, 132.1, 285/147.1, 148.19, 179, 179.1, 180, 181, 285/184–185; 4/256.1, 679, 681, 685, 4/686, 687, 696  
CPC ..... F16L 41/00  
See application file for complete search history.

5,085,244 A \* 2/1992 Funk ..... B08B 9/0321  
134/102.1  
6,044,904 A \* 4/2000 Shafer ..... B09B 1/006  
166/75.13  
6,592,152 B1 \* 7/2003 Nejigaki ..... B01D 65/00  
285/148.23  
6,860,991 B1 \* 3/2005 Hagon ..... E03C 1/29  
210/163  
D522,616 S \* 6/2006 Minnick ..... D23/233  
D595,391 S \* 6/2009 Weltman ..... D23/268  
D727,470 S \* 4/2015 Agar ..... D23/262  
2007/0209707 A1 \* 9/2007 Weltman ..... F16L 55/053  
137/247.25

\* cited by examiner

*Primary Examiner* — Amy C Wierenga

(57) **CLAIM**

The ornamental design for a water cooling apparatus, as shown and described.

**DESCRIPTION**

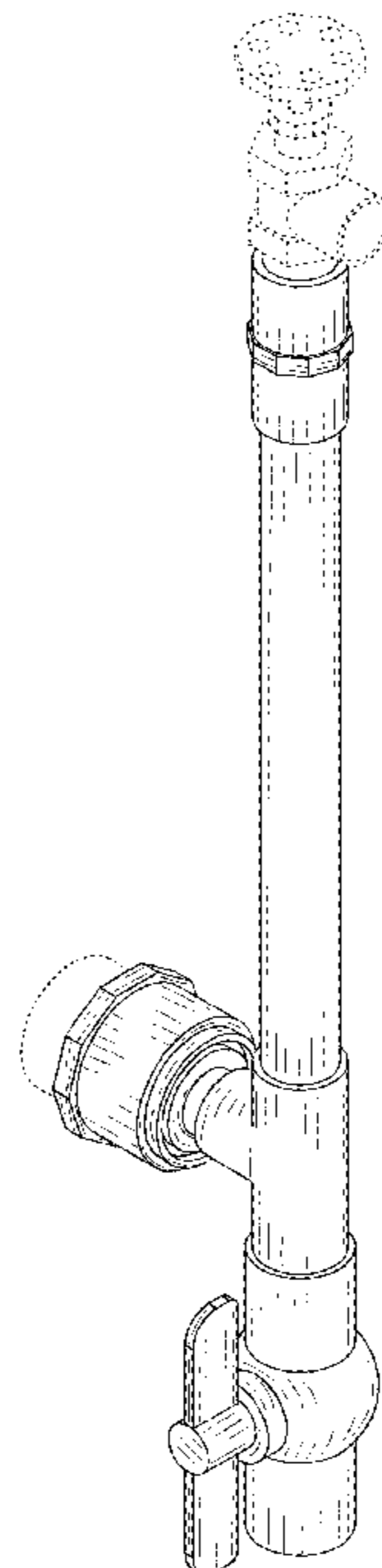
FIG. 1 is a front-top-left perspective view of a water cooling apparatus showing my new design;  
FIG. 2 is a front-top-right perspective view thereof;  
FIG. 3 is a front plan view thereof;  
FIG. 4 is a back plan view thereof;  
FIG. 5 is a right elevation view thereof;  
FIG. 6 is a longitudinal cross-sectional view taken along line 6-6 in FIG. 5;  
FIG. 7 is a left elevation view thereof;  
FIG. 8 is a top elevation view thereof; and,  
FIG. 9 is a bottom elevation view thereof.  
The broken line showing of the valve and threads in FIGS. 1-9 are included for the purpose of showing environmental structure and form no part of the claimed design.

**1 Claim, 9 Drawing Sheets**

(56) **References Cited**

U.S. PATENT DOCUMENTS

1,716,945 A \* 6/1929 Worth ..... F25D 31/002  
62/393  
1,832,701 A \* 11/1931 Graham ..... F28C 1/02  
261/89  
2,169,795 A \* 8/1939 Evers, Jr. .... F25B 5/04  
62/115  
D244,937 S \* 7/1977 Houk ..... D23/259  
D284,603 S \* 7/1986 Loignon ..... D23/259



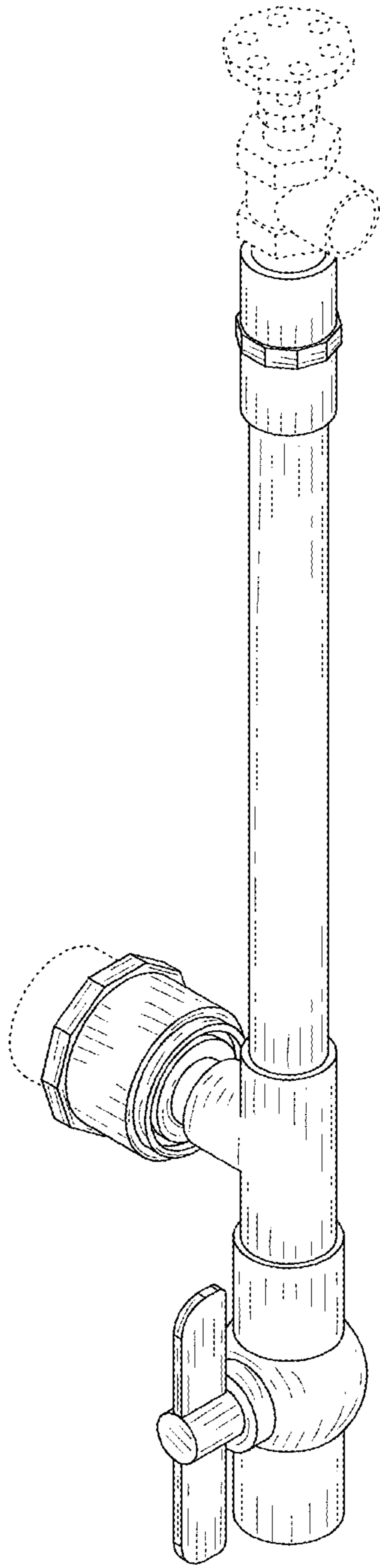


FIG. 1

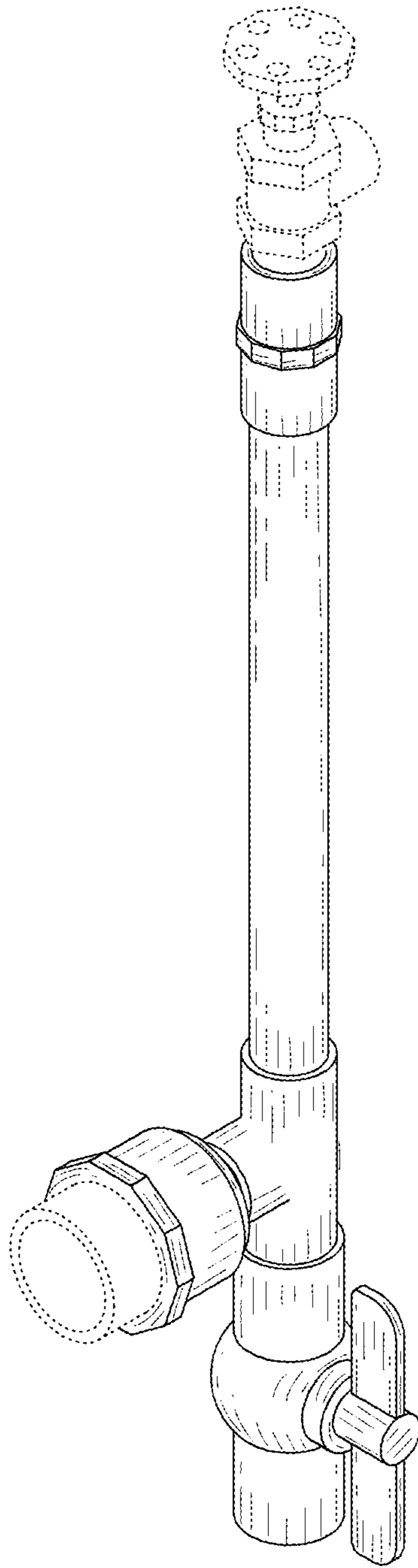


FIG. 2

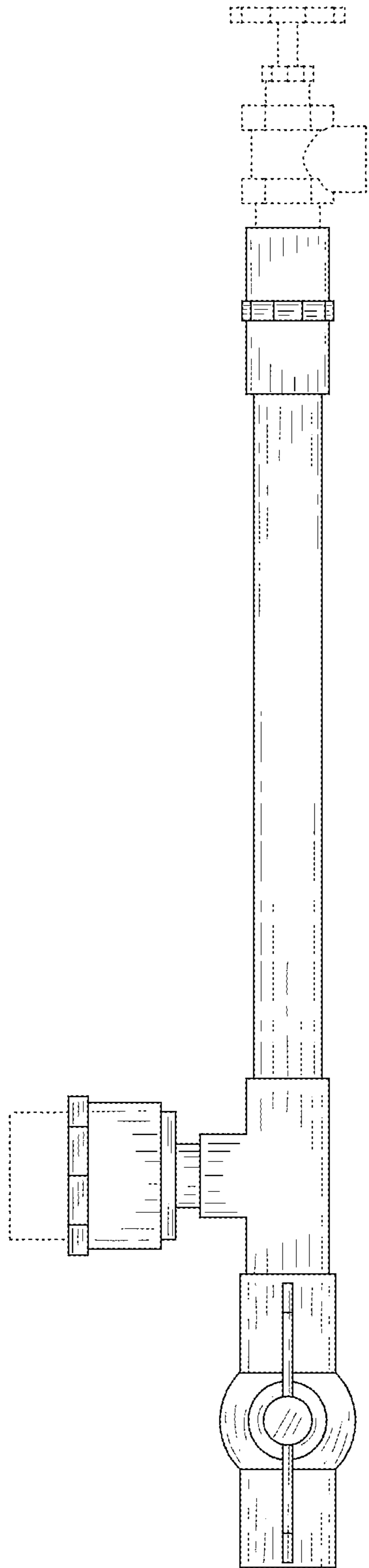


FIG. 3

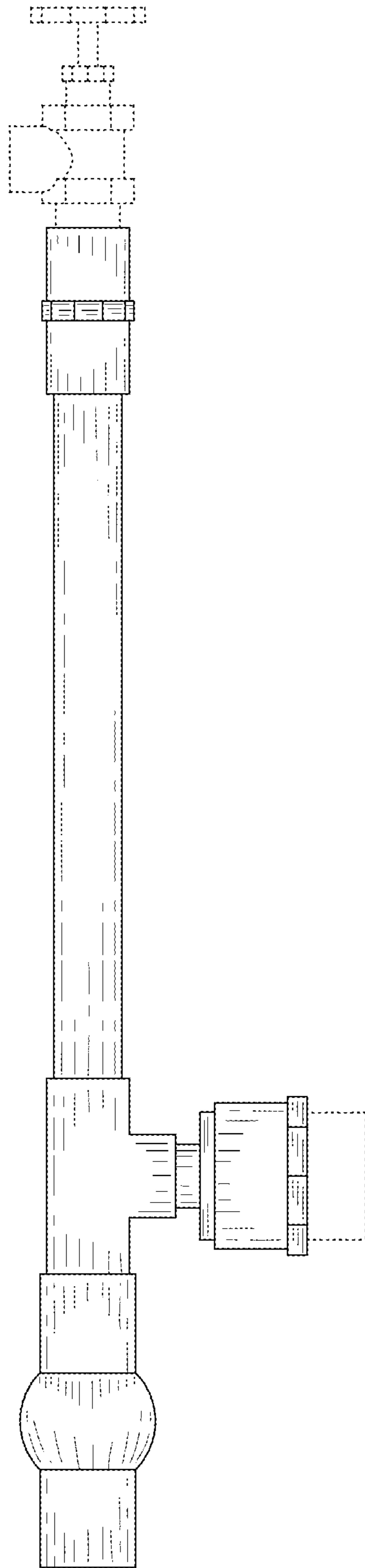


FIG. 4

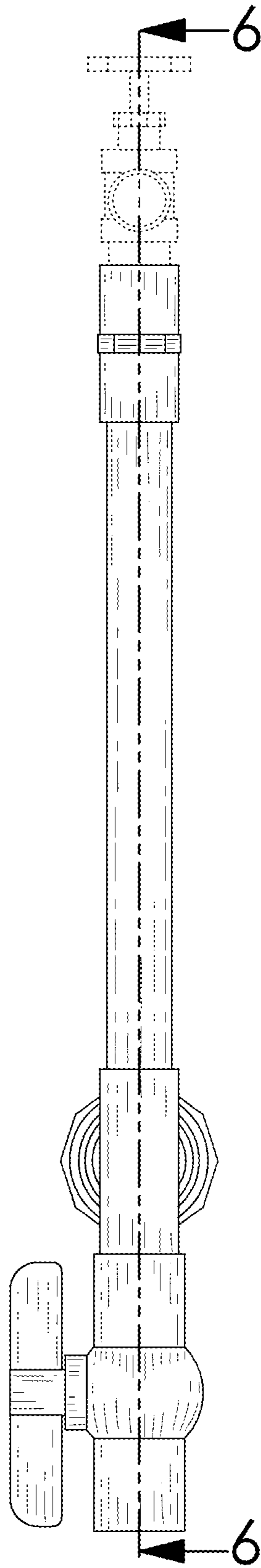


FIG. 5

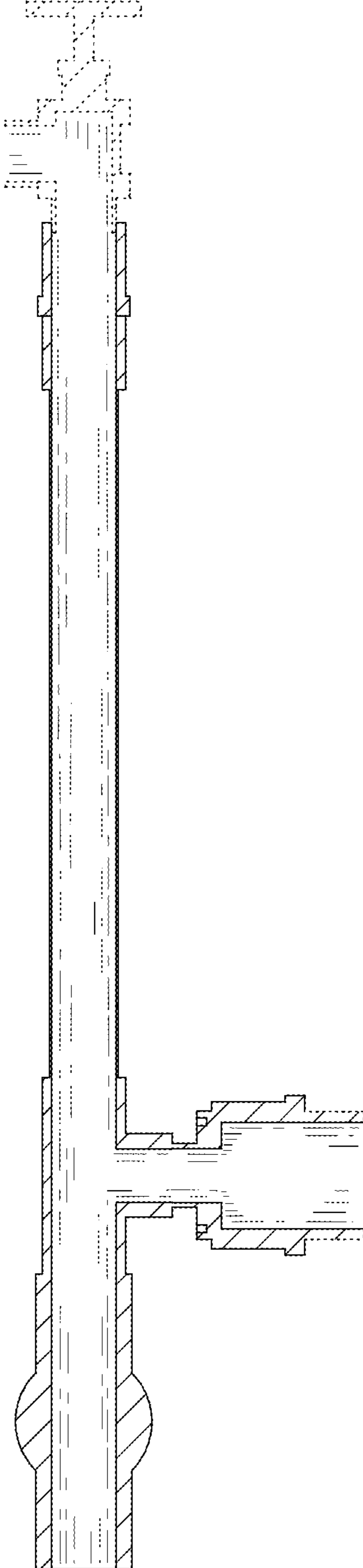


FIG. 6

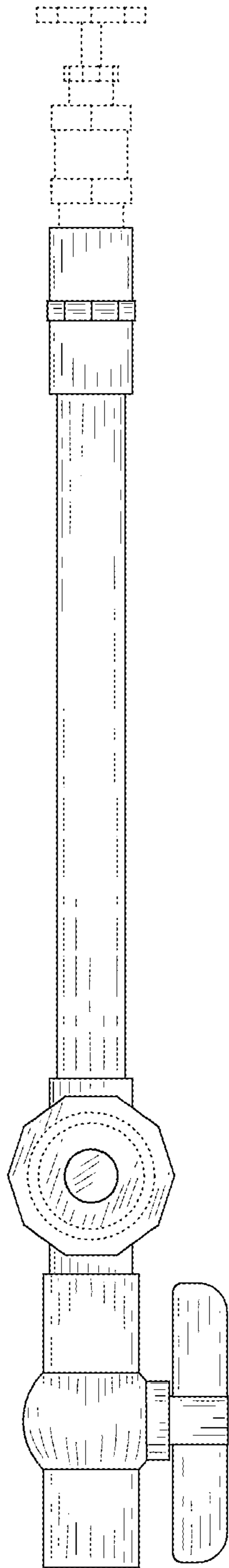


FIG. 7



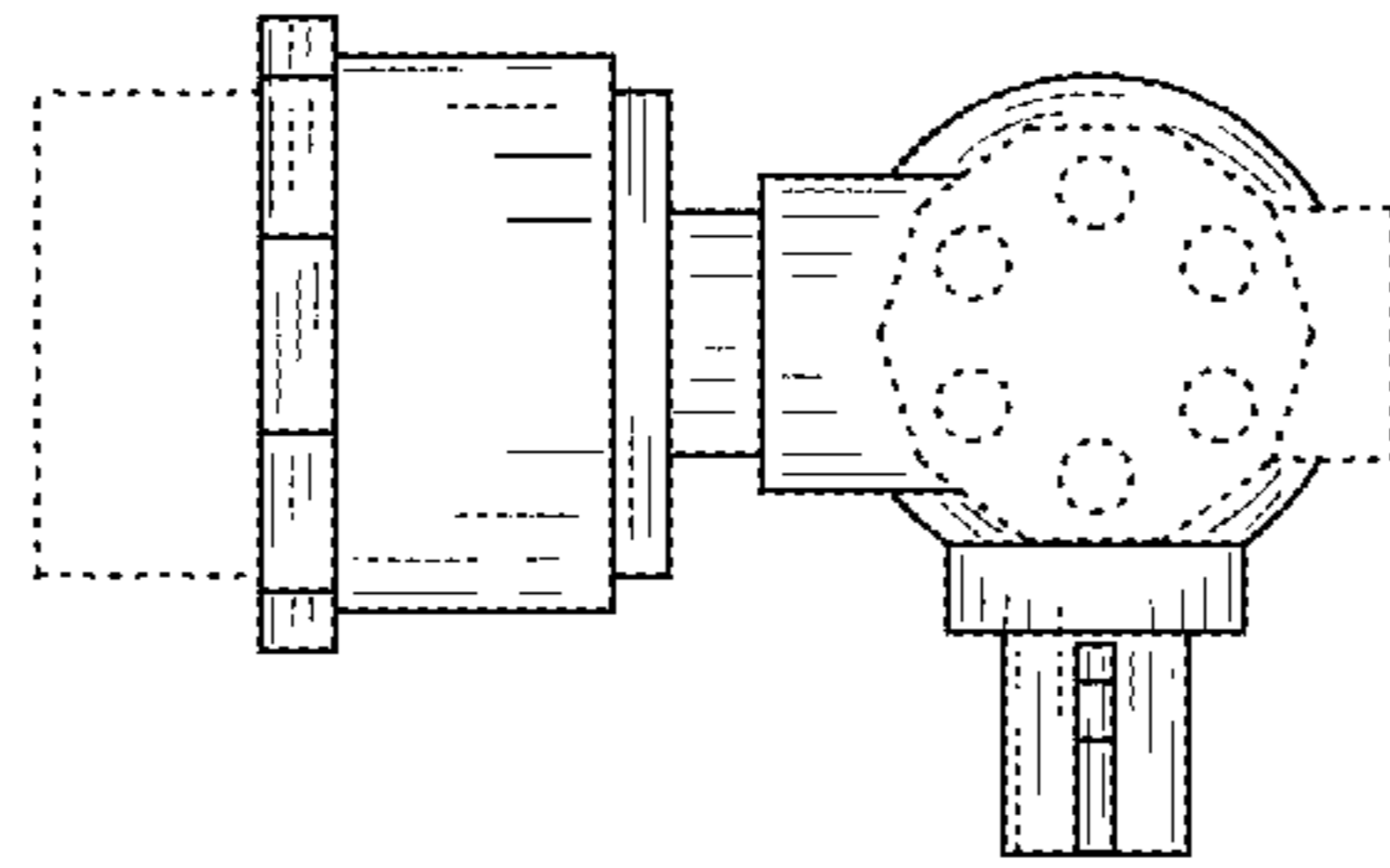


FIG. 8

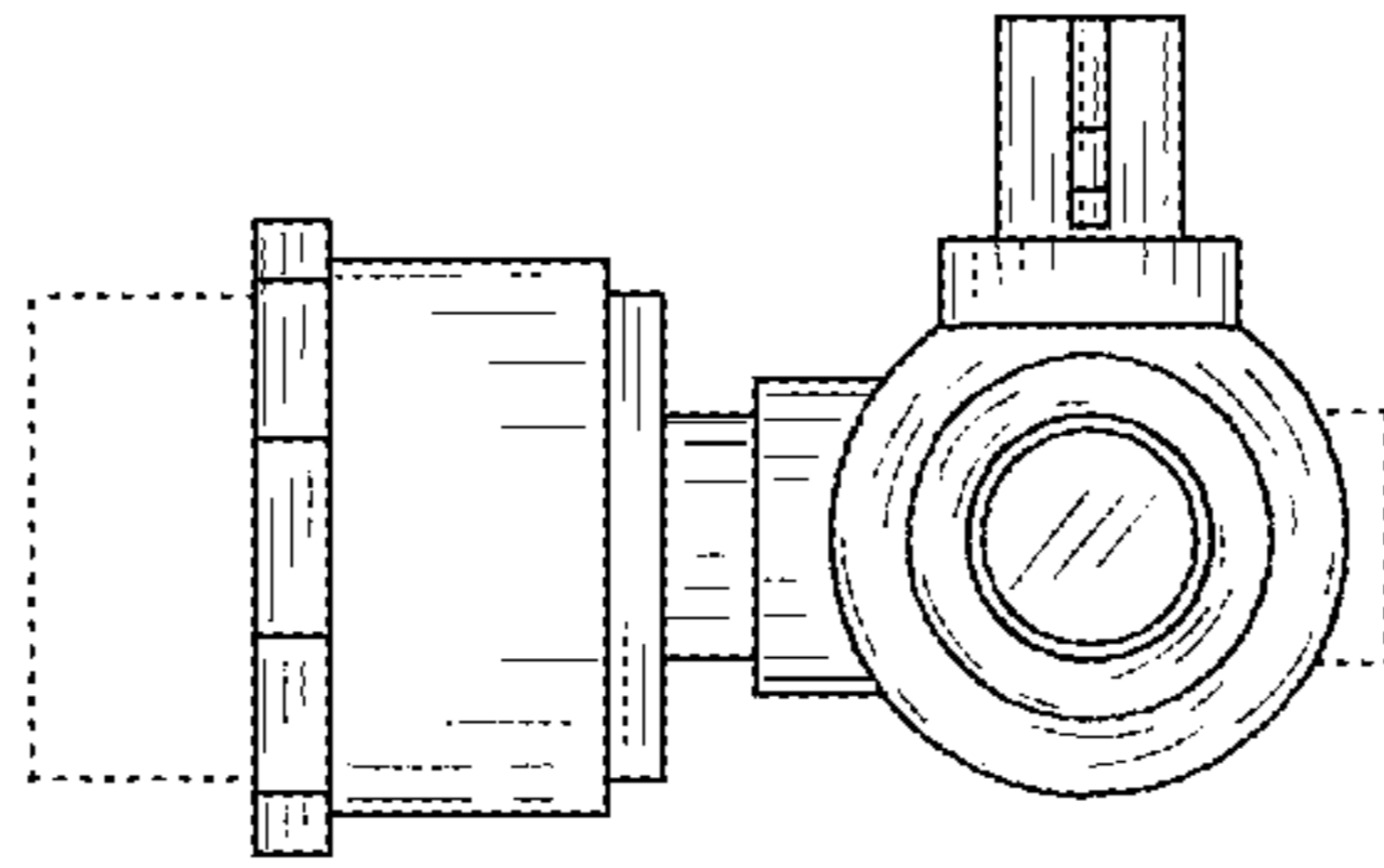


FIG. 9