



US00D890307S

(12) **United States Design Patent**  
**Brill et al.**

(10) **Patent No.:** **US D890,307 S**  
(45) **Date of Patent:** **\*\* Jul. 14, 2020**

- (54) **SEMI-ROUND FLOOR DRAIN**
- (71) Applicant: **INFINITY DRAIN**, Amityville, NY  
(US)
- (72) Inventors: **Jonathan Brill**, Amityville, NY (US);  
**Bhash Ramkarran**, Amityville, NY  
(US); **Alan Trink**, Amityville, NY (US)
- (73) Assignee: **INFINITY DRAIN**, Amityville, NY  
(US)

6,408,918 B1 \* 6/2002 Hummell ..... B32B 38/1841  
156/391  
D506,668 S \* 6/2005 Black ..... D8/354  
D509,887 S \* 9/2005 Sutopo ..... D23/293.1  
D542,396 S \* 5/2007 Bates ..... D23/313  
7,309,443 B2 \* 12/2007 Kelty ..... C02F 1/325  
210/167.1  
D574,931 S \* 8/2008 Hughes ..... D23/262  
D579,092 S \* 10/2008 Cummings ..... D23/313  
D633,605 S \* 3/2011 Tanus ..... D23/308

(Continued)

(\*\*) Term: **15 Years**

(21) Appl. No.: **29/637,886**

(22) Filed: **Feb. 22, 2018**

(51) **LOC (12) Cl.** ..... **23-01**

(52) **U.S. Cl.**  
USPC ..... **D23/259**

(58) **Field of Classification Search**  
USPC ..... D23/259, 260, 209, 261, 303-304, 310,  
D23/388; 4/178.22, 222.1,  
4/255.01-255.12, 256.1, 286-295, 309,  
4/490, 596, 652, 68, 679-682, 694-696,  
4/671-675, 164, 488, 504, 507-509;  
220/203.1, 241, 780, 787; 210/163-164,  
210/166, 167.1, 167.15-167.16

CPC ..... A47K 3/40  
See application file for complete search history.

(56) **References Cited**

**U.S. PATENT DOCUMENTS**

- 2,803,348 A \* 8/1957 Bingham ..... E03F 5/06  
210/498
- 4,146,939 A \* 4/1979 Izzi ..... E03F 5/0409  
4/286
- 4,462,123 A \* 7/1984 Morris ..... E03F 5/0407  
4/286
- D334,051 S \* 3/1993 Fell, Sr. .... D23/262
- D426,874 S \* 6/2000 Warshawsky ..... D23/241
- D447,224 S \* 8/2001 Barnum ..... D23/308

**OTHER PUBLICATIONS**

Infinity Drain CDI 22 2" Clamp Down Drain, Cast Iron, [https://www.amazon.com/Infinity-Drain-Clamp-Down-Cast/dp/B008H85W1Y/ref=pd\\_day0\\_hl\\_60\\_5/143-5672237-2678107?encoding=UTF8&pd\\_rd\\_i=B008H85W1Y&pd\\_rd\\_r=b54ec78e-7d52-11e9-aef3-91e0c1ba0bc6&pd\\_rd\\_w=17K](https://www.amazon.com/Infinity-Drain-Clamp-Down-Cast/dp/B008H85W1Y/ref=pd_day0_hl_60_5/143-5672237-2678107?encoding=UTF8&pd_rd_i=B008H85W1Y&pd_rd_r=b54ec78e-7d52-11e9-aef3-91e0c1ba0bc6&pd_rd_w=17K) (Year: 2012).\*

(Continued)

*Primary Examiner* — Amy C Wierenga

(74) *Attorney, Agent, or Firm* — F. Chau & Associates, LLC

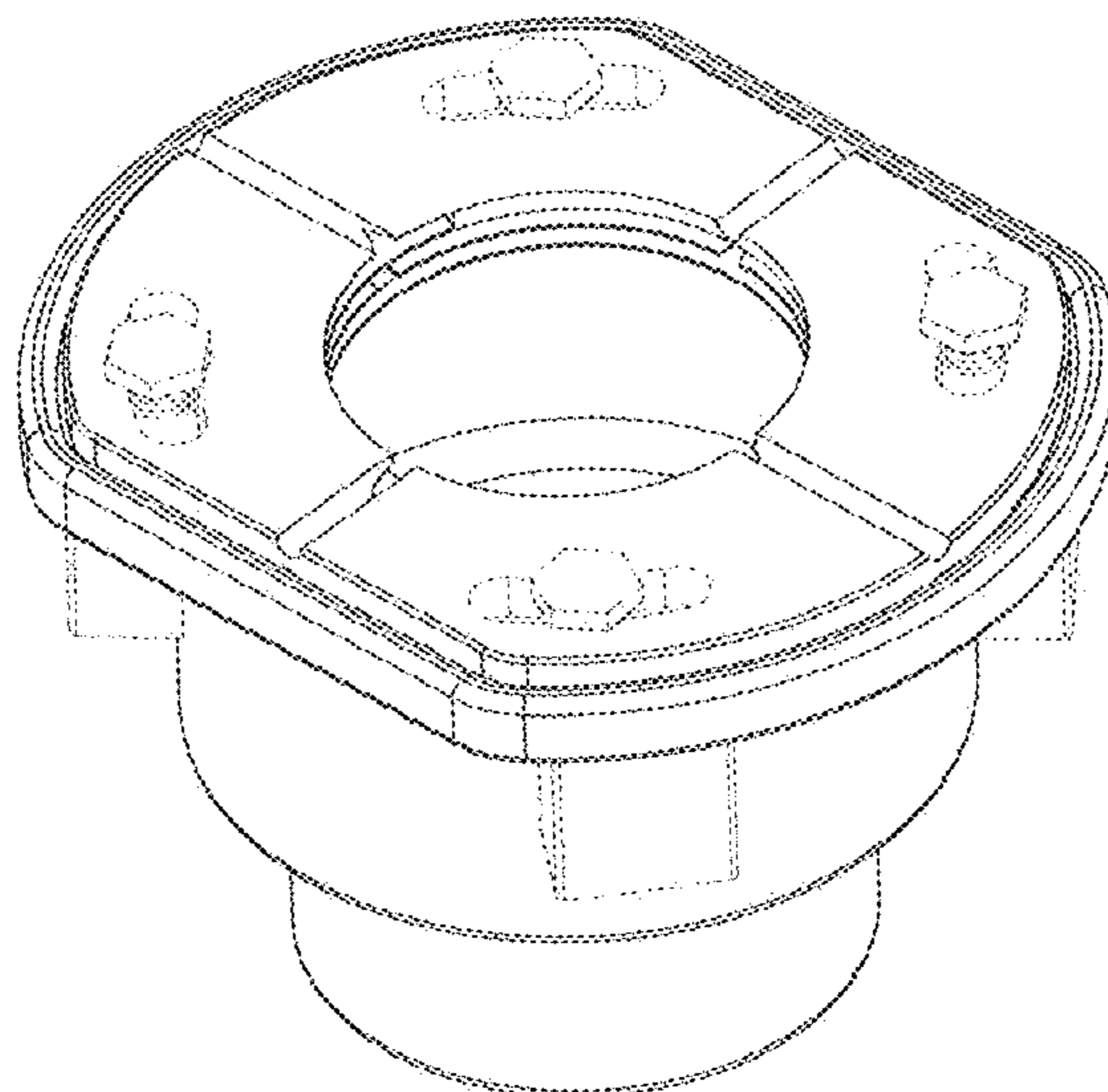
(57) **CLAIM**

The ornamental design for a semi-round floor drain, as shown and described.

**DESCRIPTION**

FIG. 1 is a perspective view of a semi-round floor drain in accordance with the present invention; FIG. 2 is a top plan view thereof; FIG. 3 is a left elevational view thereof; FIG. 4 is a bottom elevational view thereof; FIG. 5 is a right elevational view thereof; FIG. 6 is a front elevational view thereof; and, FIG. 7 is a rear elevational view thereof. The broken lines shown in the drawings illustrate portions of the semi-round floor drain and screws used with the semi-round floor drain that form no part of the claimed design.

**1 Claim, 4 Drawing Sheets**



(56)

References Cited

U.S. PATENT DOCUMENTS

D641,459 S \* 7/2011 Corpuz, Jr. .... D23/313  
 D649,627 S \* 11/2011 Corpuz, Jr. .... D23/313  
 D693,856 S \* 11/2013 Thompson ..... D15/28  
 D699,821 S \* 2/2014 Beaudoin ..... D23/267  
 D722,366 S \* 2/2015 Beaudoin ..... D23/261  
 D722,679 S \* 2/2015 Beaudoin ..... D23/261  
 D725,238 S \* 3/2015 Beaudoin ..... D23/261  
 D739,507 S \* 9/2015 Watson ..... D23/262  
 9,157,213 B2 \* 10/2015 Beaudoin ..... E05C 3/12  
 D751,676 S \* 3/2016 Frick ..... F16L 37/0841  
 D23/262  
 D787,646 S \* 5/2017 Davis ..... D23/259  
 2003/0115814 A1 \* 6/2003 Nielsen ..... E03F 5/0406  
 52/302.1  
 2009/0145828 A1 \* 6/2009 Andrei ..... F04D 29/708  
 210/167.1  
 2014/0255098 A1 \* 9/2014 Beaudoin ..... E05C 3/12  
 405/36  
 2019/0106874 A1 \* 4/2019 Brill ..... E03F 5/0408

OTHER PUBLICATIONS

Infinity Drain CDS 22 2" Clamp Down Drain,ABS, <https://www.amazon.com/Infinity-Drain-CDA-Clamp-Down/dp/B00LC196J0/>

ref=sr\_1\_99\_sspacrid=36JJRZ9Y6R71X&keywords=infinity+drain  
 &qid=1558612699&s=gateway&sprefix=infinity+drain%2Caps%  
 2C141&sr=8-99-spons&psc=1 (Year: 2017).\*  
 Infinity Drain 2in. No Hub Platic Floor Drain ICDP22; Ferguson  
 Website; Copyright 2019; Visited Online Oct. 10, 2019; [https://www.ferguson.com/product/infinity-drain-2-in-no-hub-plastic-floor-drain-icdp22/\\_/R-4642315](https://www.ferguson.com/product/infinity-drain-2-in-no-hub-plastic-floor-drain-icdp22/_/R-4642315) (Year: 2019).\*  
 330-NL Assemblies; Lakeside Supply Company PDF p. 1; Posted  
 online 3 years ago; 2016; Visited Online Oct. 10, 2019; <https://docplayer.net/23075283-Wade-specification-drainage-products.html> (Year: 2016).\*  
 330-NL Assemblies; Lakeside Supply Company PDF p. 1; WayBack  
 Internet Archive Date Aug. 16, 2017, Posted Online 11 months  
 earlier Jul. 2016; Visited Online Oct. 10, 2019; <https://web.archive.org/web/20170816200644/https://docplayer.net/23075283-Wade-specification-drainage-products.html> (Year: 2016).\*  
 Infinity Drain Throat ABS Clamp Down Drain Model CDA 22;  
 Build.com website copyright date 2000-2019; Visited Online Oct.  
 10, 2019; <https://www.build.com/infinity-drain-cda-22/s1364853#overview>.\*  
 Clamp Down Floor Drain CDI 22; Infinity Drain Website; Visited  
 online 10/10/19; Wayback Internet Archive Date Dec. 19, 2016;  
[https://web.archive.org/web/20161219181902/http://infinitydrain.com/components-and-parts?component\\_type=parts](https://web.archive.org/web/20161219181902/http://infinitydrain.com/components-and-parts?component_type=parts) (Year: 2016).\*

\* cited by examiner

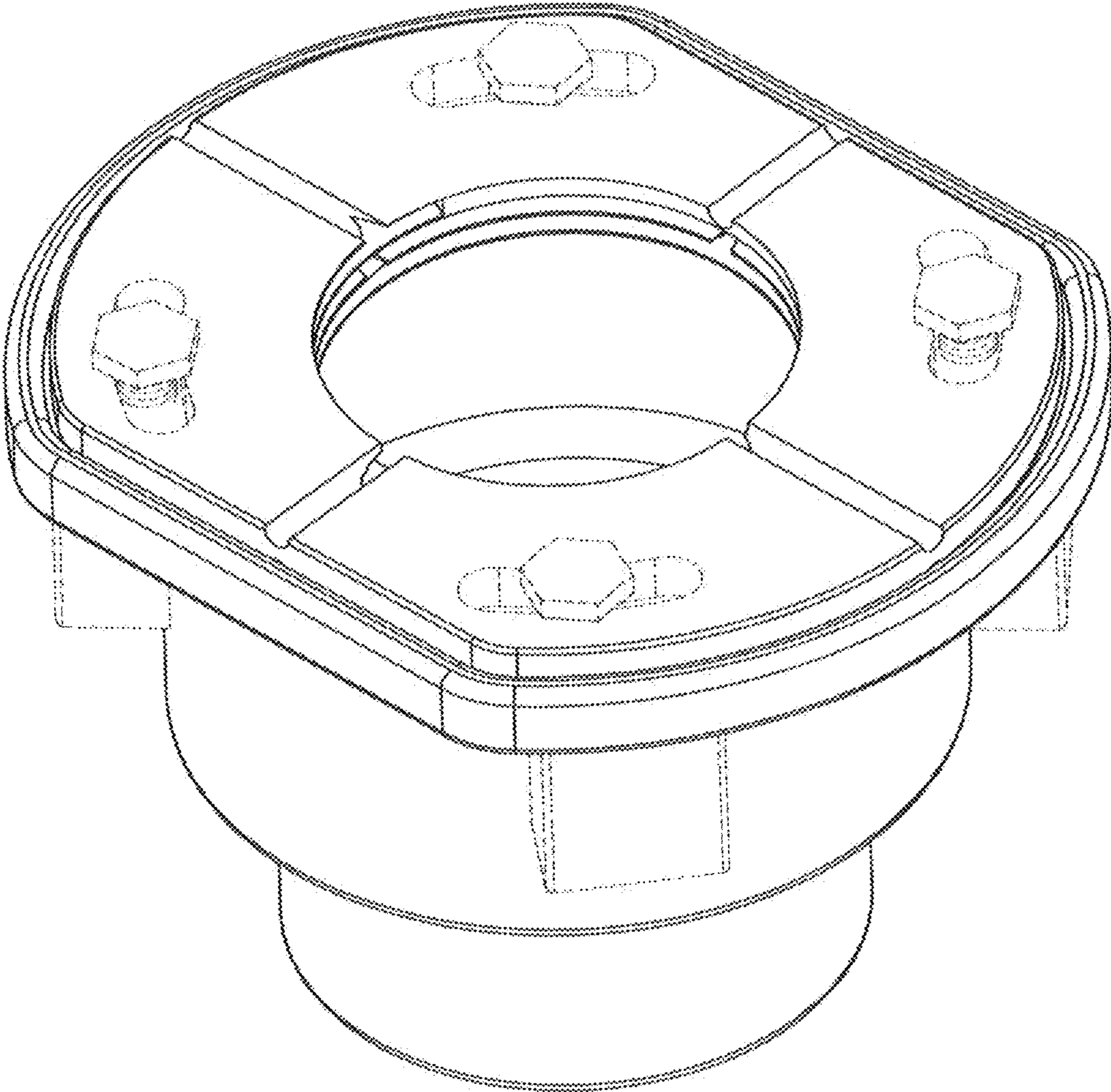


FIG. 1

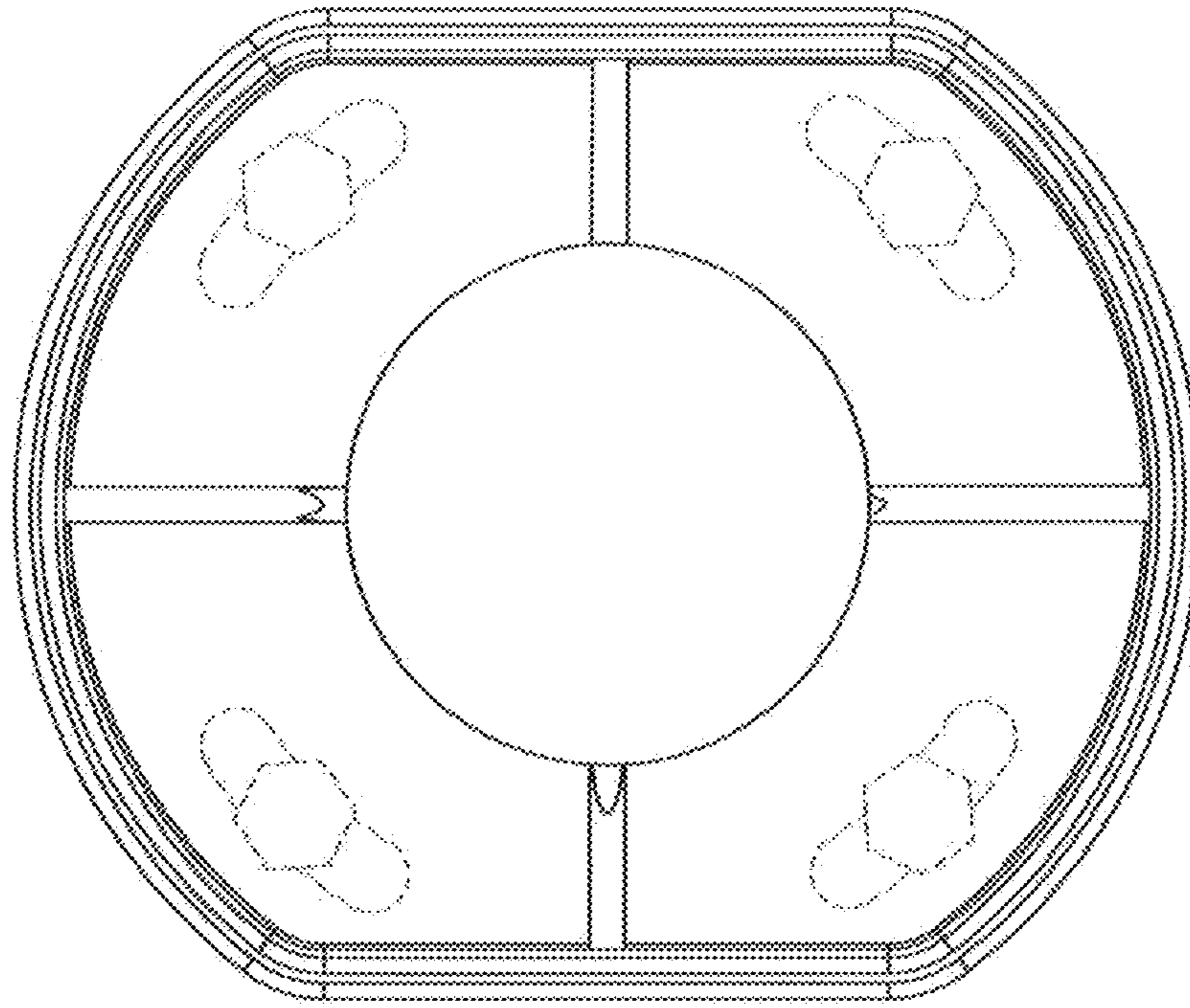


FIG. 2

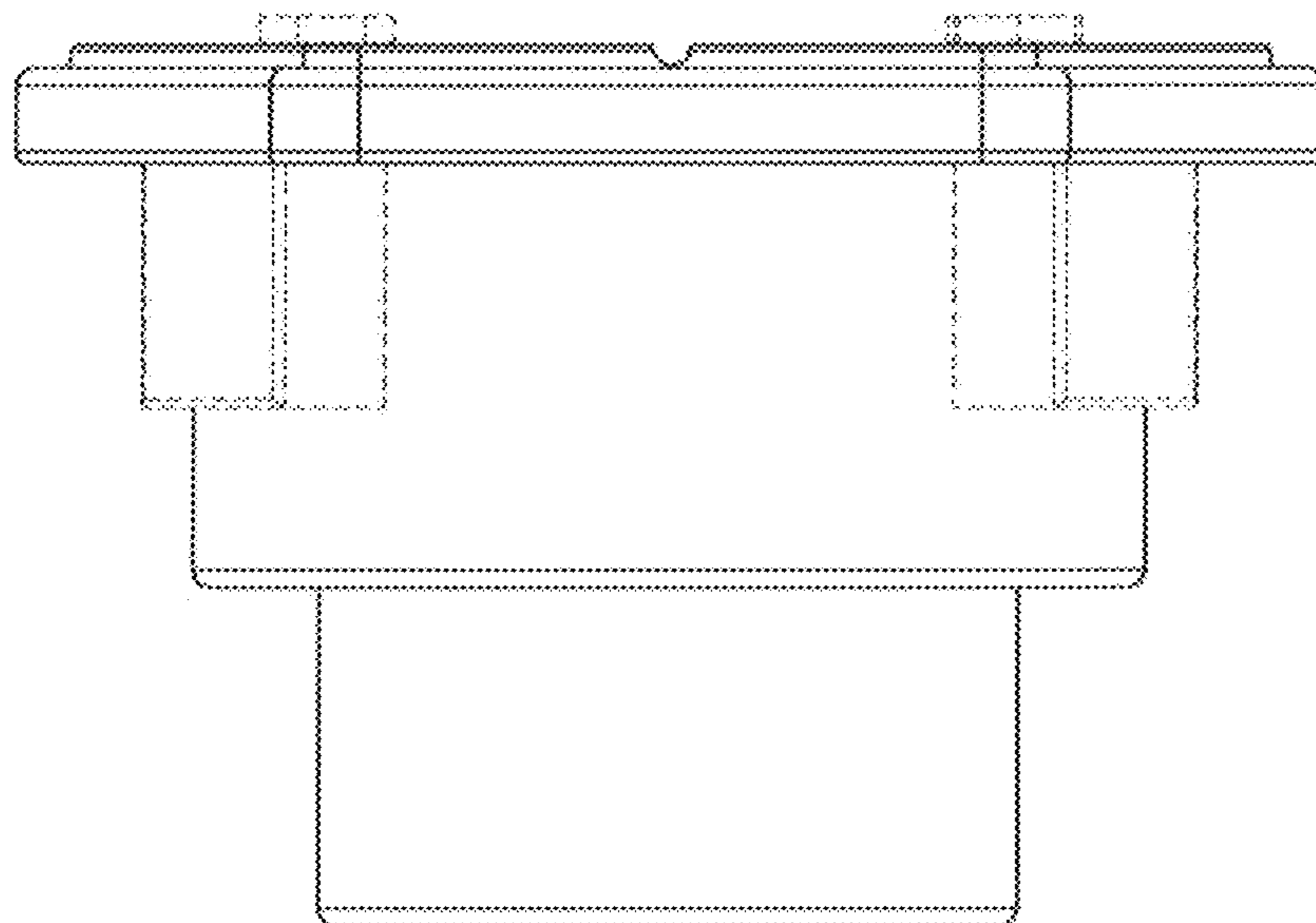
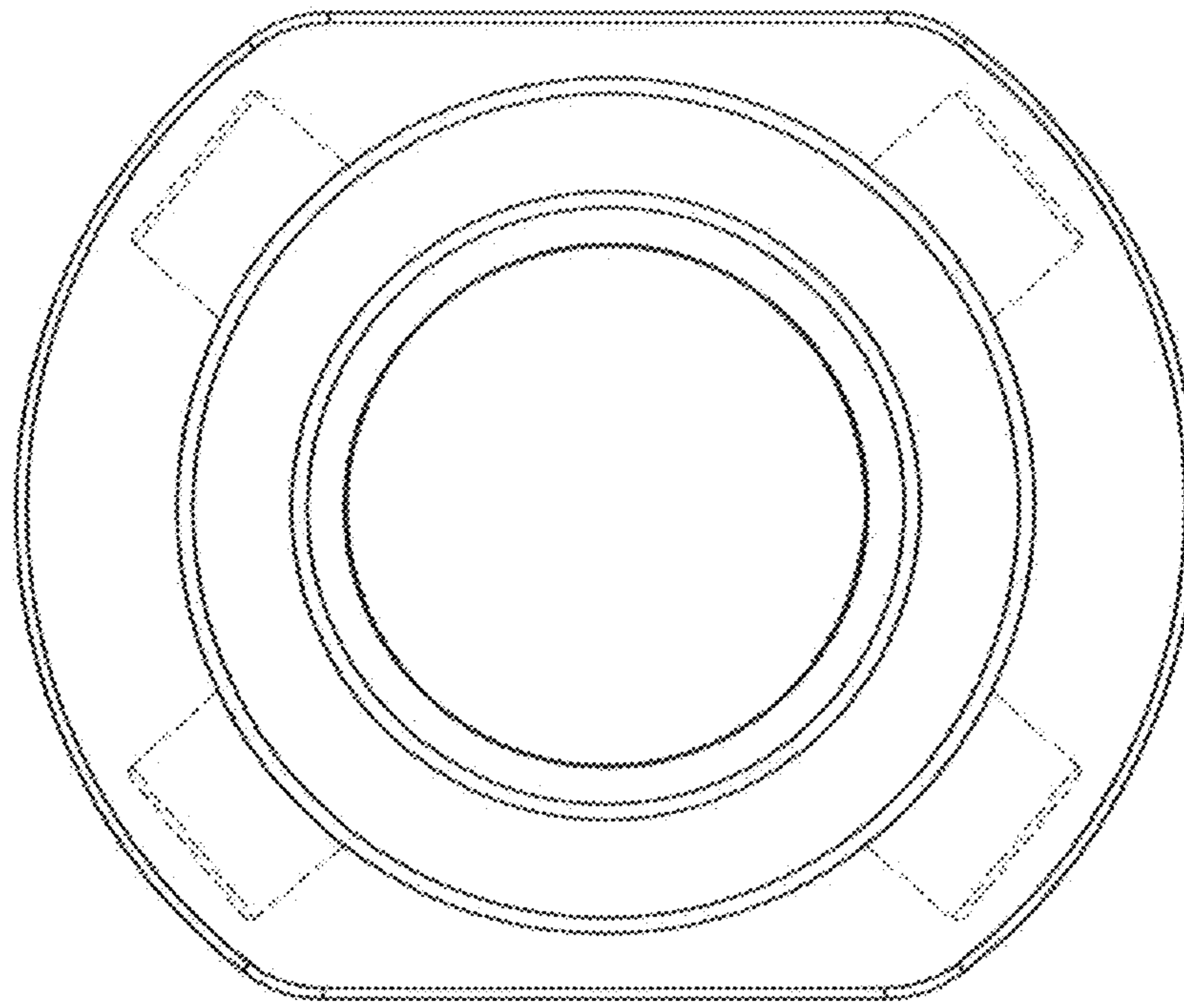
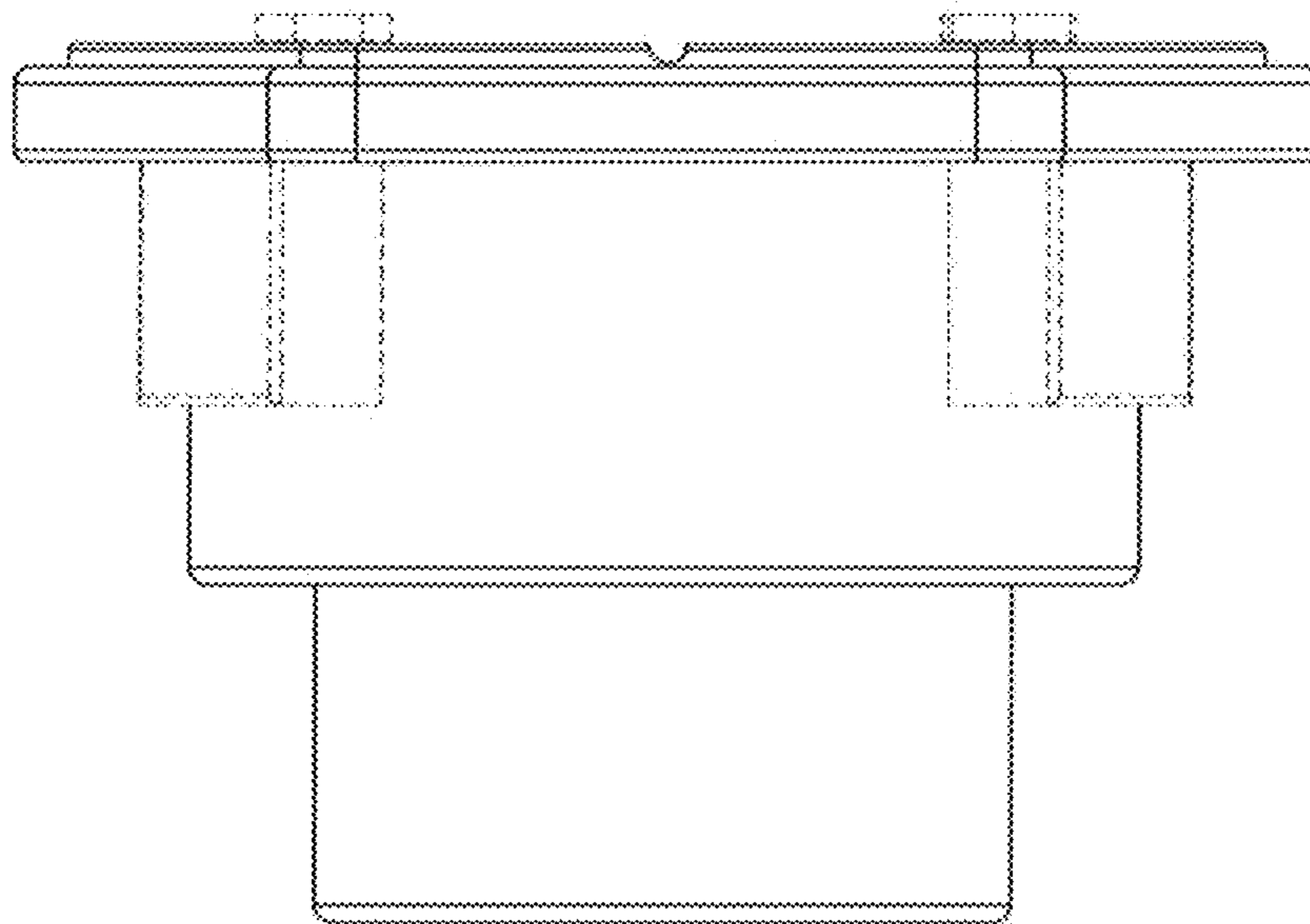


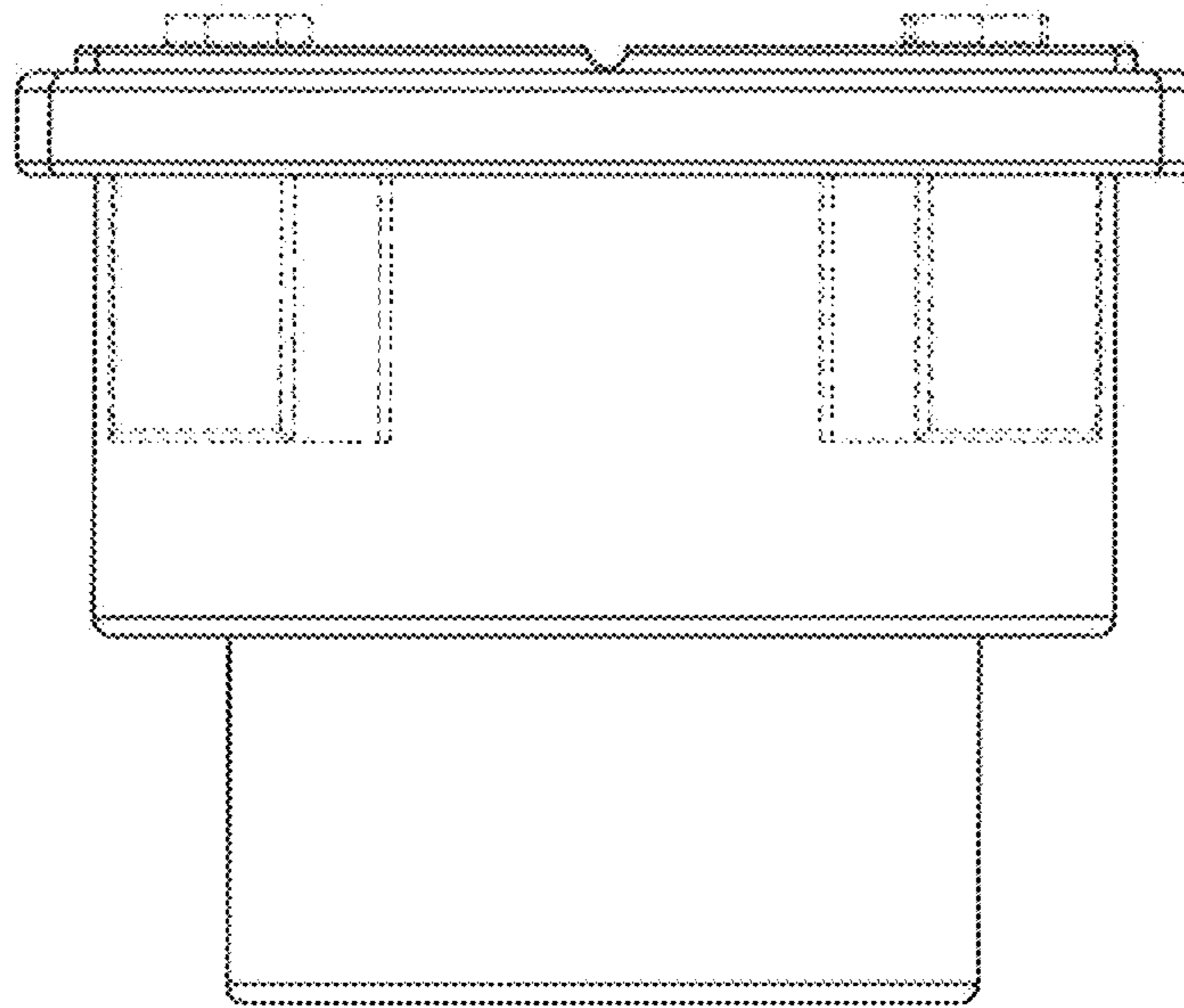
FIG. 3



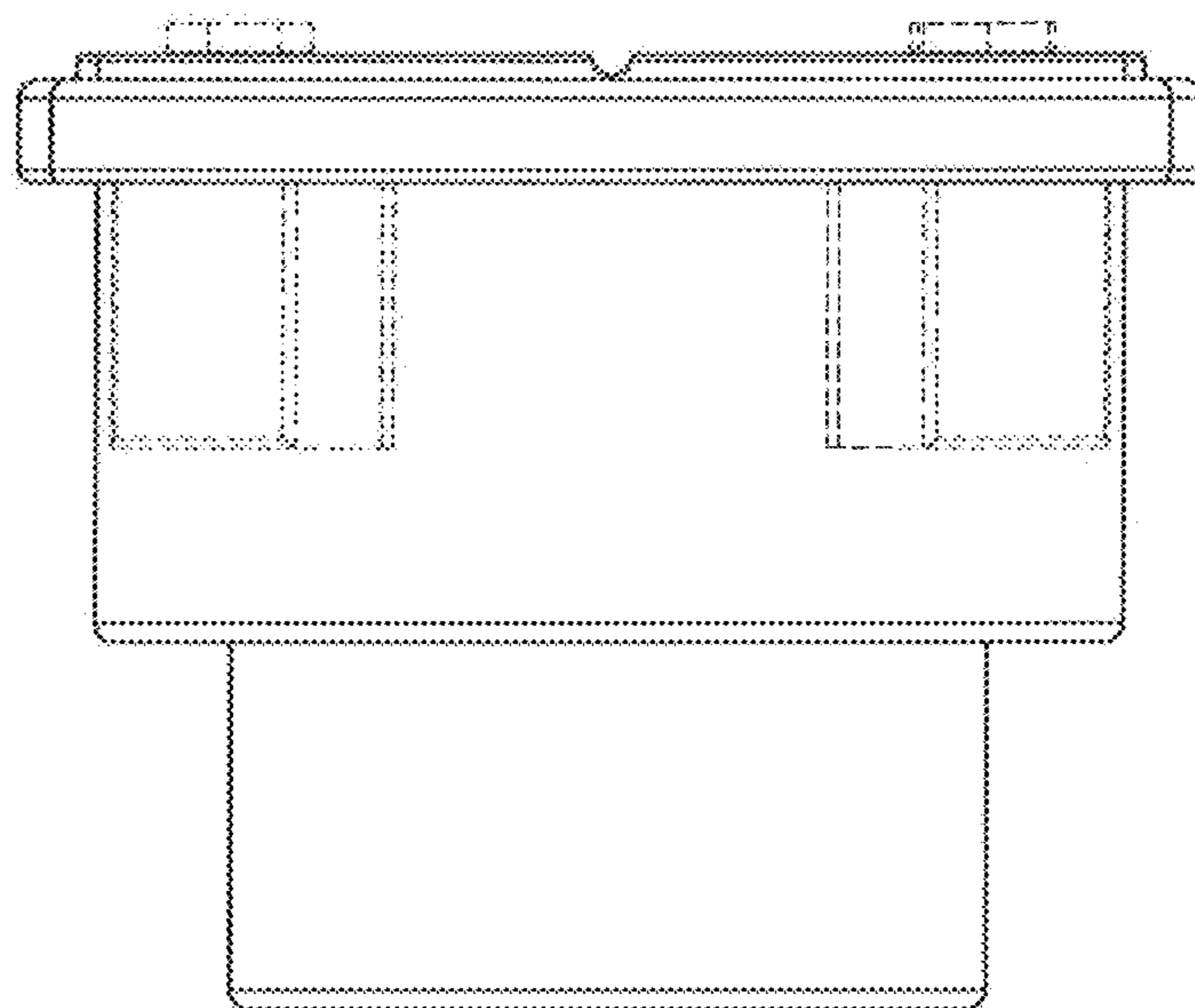
**FIG. 4**



**FIG. 5**



**FIG. 6**



**FIG. 7**