



US00D890305S

(12) **United States Design Patent**
Potter

(10) **Patent No.:** **US D890,305 S**
(45) **Date of Patent:** **** Jul. 14, 2020**

(54) **FAUCET**

(71) Applicant: **Spectrum Brands, Inc.**, Middleton, WI (US)

(72) Inventor: **Cameron Potter**, Fullerton, CA (US)

(73) Assignee: **Spectrum Brands, Inc.**, Middleton, WI (US)

(**) Term: **15 Years**

(21) Appl. No.: **29/675,132**

(22) Filed: **Dec. 28, 2018**

(51) **LOC (12) Cl.** **23-01**

(52) **U.S. Cl.**
USPC **D23/242**

(58) **Field of Classification Search**
USPC D23/238, 241–243, 249–250, 252,
D23/254–255, 257; D8/307–308
CPC Y10T 137/9464; Y10T 137/6014; Y10T
137/6017

See application file for complete search history.

(56) **References Cited**

U.S. PATENT DOCUMENTS

D446,286 S *	8/2001	Fleischmann	D23/242
D467,307 S *	12/2002	Sieger	D23/241
D492,011 S *	6/2004	Blattner	D23/238
D522,102 S *	5/2006	Fritz	D23/252
D522,630 S *	6/2006	Fritz	D23/252
D532,087 S *	11/2006	Citterio	D23/252
D566,239 S *	4/2008	Hundley	D23/250
D580,519 S	11/2008	Citterio		
D585,525 S *	1/2009	Ko	D23/242

D666,277 S *	8/2012	Schaefer	D23/252
D776,792 S	1/2017	Neumayr		
D801,483 S	10/2017	Neumayr		
D844,756 S *	4/2019	Cummings	D23/255
D868,940 S *	12/2019	Moerman	D23/238

OTHER PUBLICATIONS

Flyte Wall Mount Faucet, by Waterworks, 1 color sheet of photographs, taken from https://www.waterworks.com/us_en/flyte-low-profile-three-hole-wall-mounted-lavatory-faucet-with-metal-lever-handles-and-valve-fls70, disclosure date unknown but prior to the filing date of the present application.

* cited by examiner

Primary Examiner — Robert A Delehanty

(74) *Attorney, Agent, or Firm* — Banner & Witcoff, Ltd.

(57) **CLAIM**

The ornamental design for a faucet, as shown and described.

DESCRIPTION

FIG. 1 is a front perspective view of a faucet showing my new design;

FIG. 2 is a front view thereof;

FIG. 3 is a rear view thereof;

FIG. 4 is a right side view thereof;

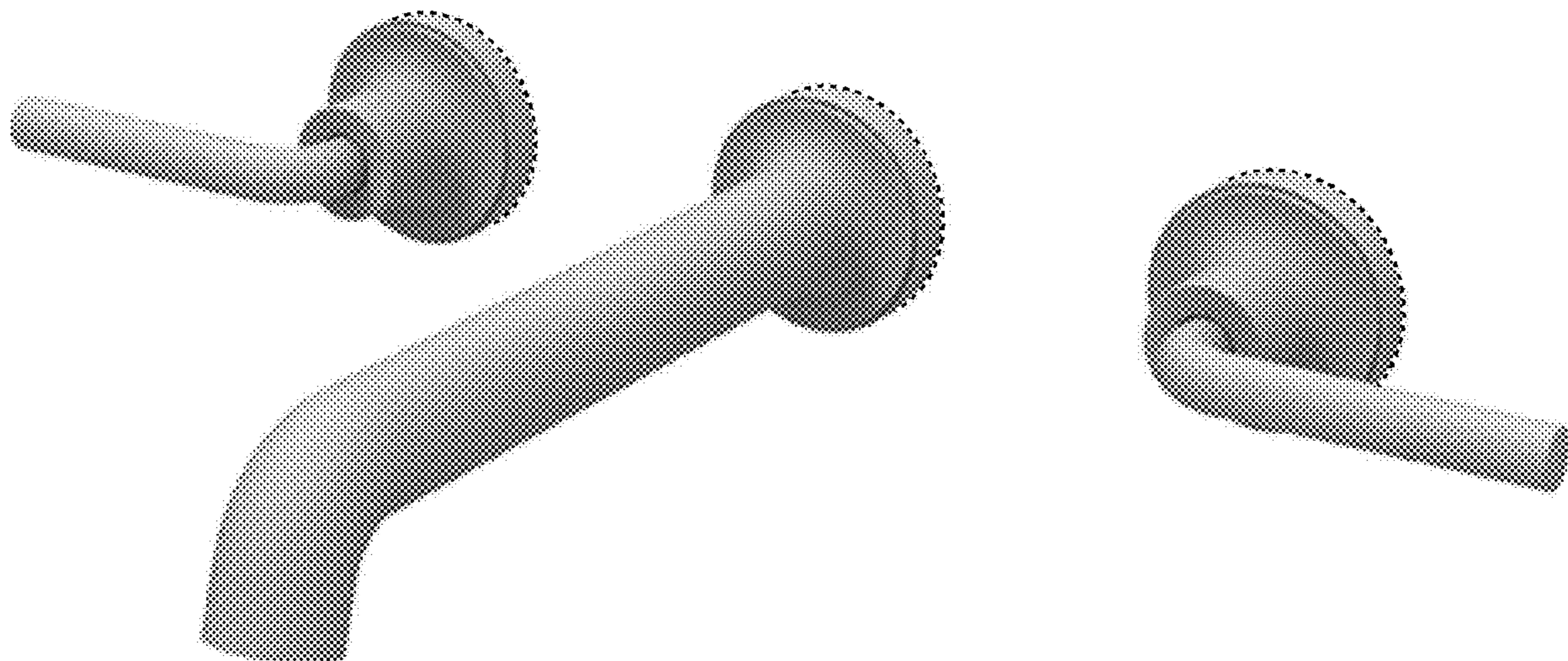
FIG. 5 is a left side view thereof;

FIG. 6 is a top view thereof; and,

FIG. 7 is a bottom view thereof.

The broken lines immediately adjacent to the photographic area at its rear edges and its spout opening define the bounds of the claimed design and form no part thereof.

1 Claim, 7 Drawing Sheets



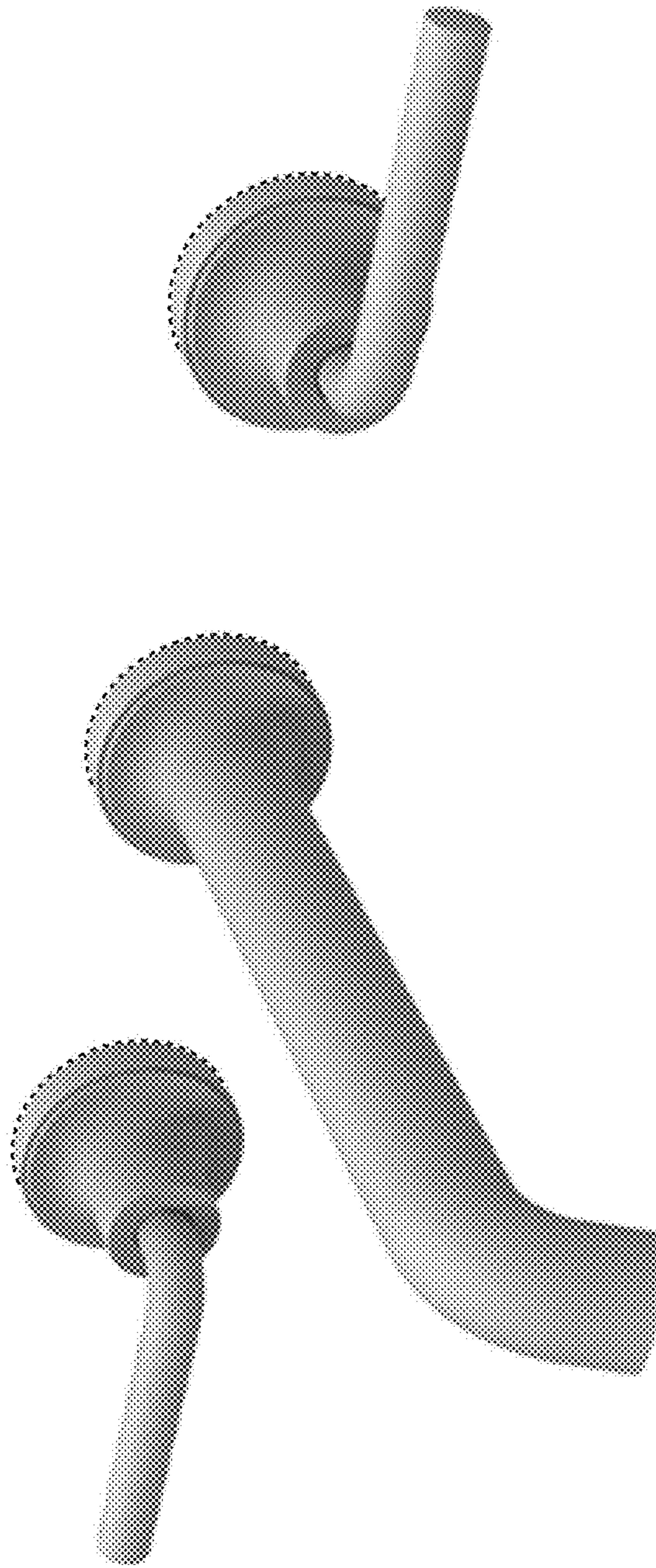


FIG. 1

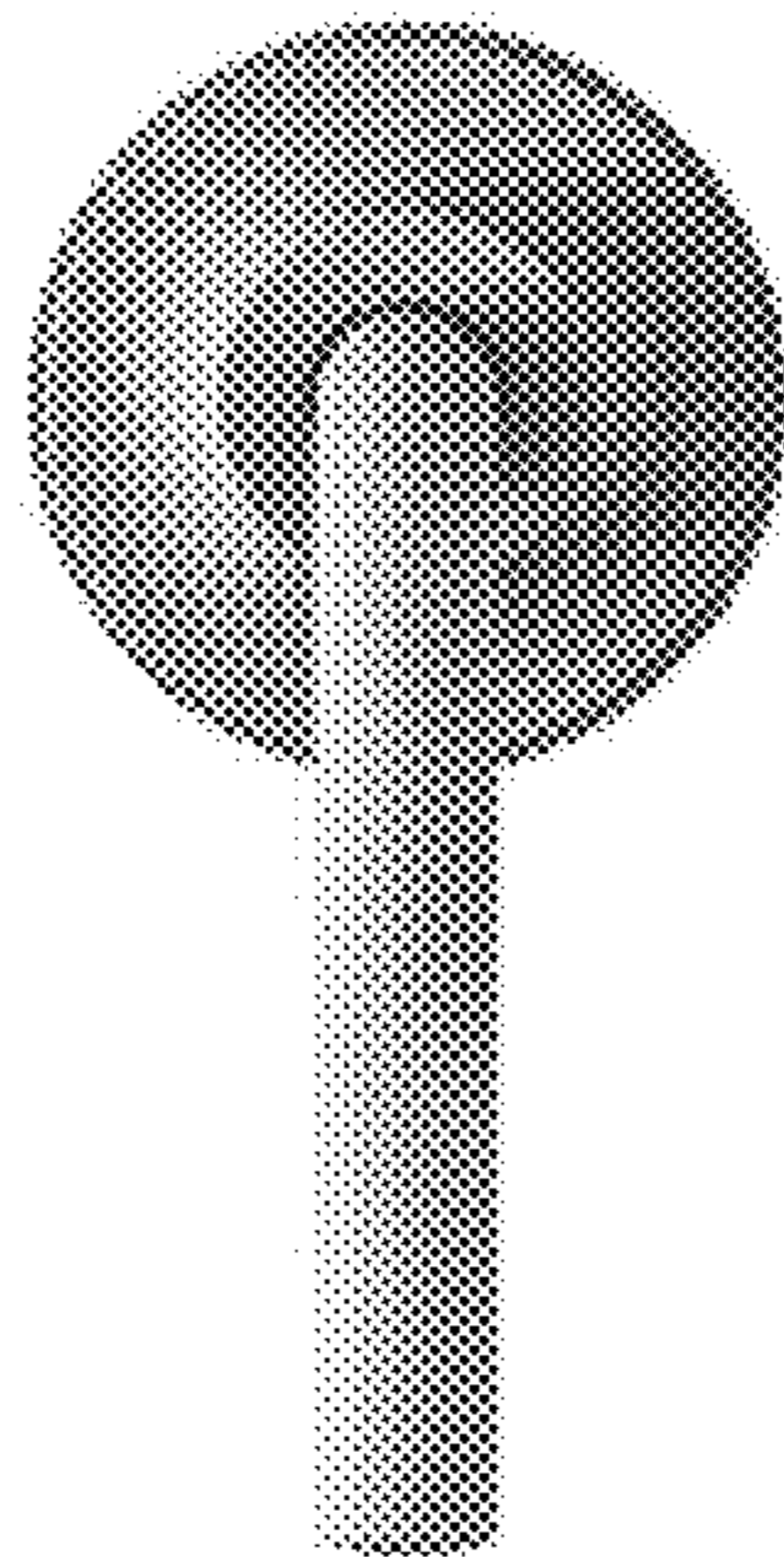
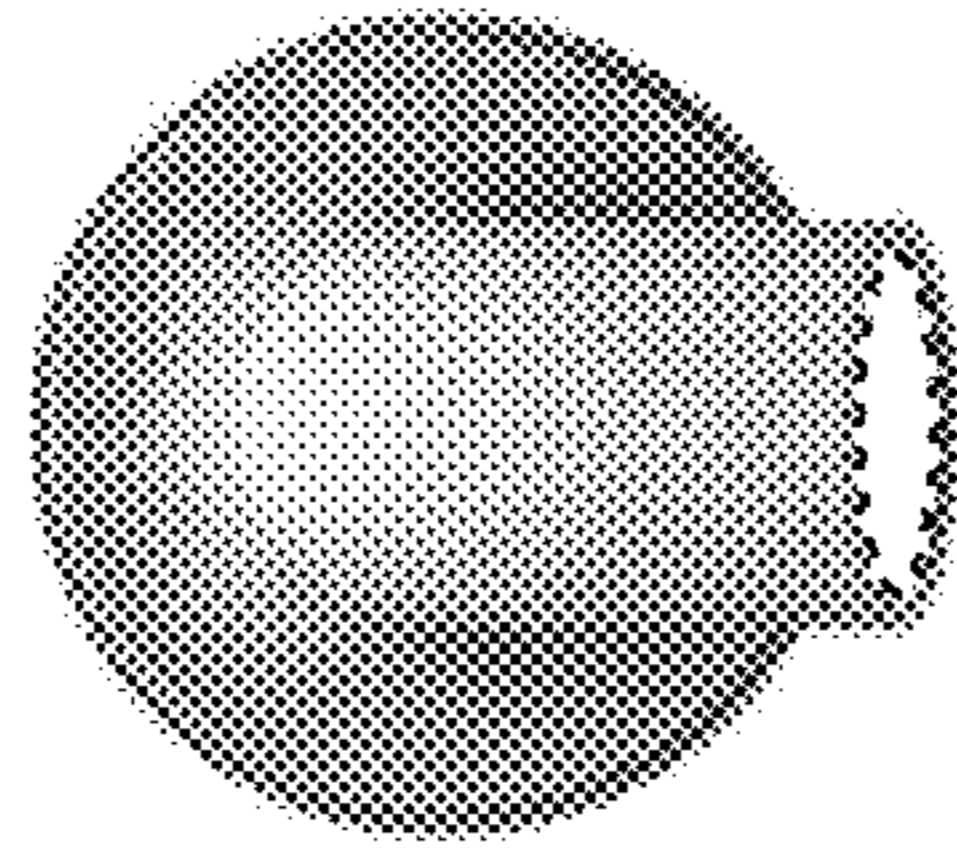
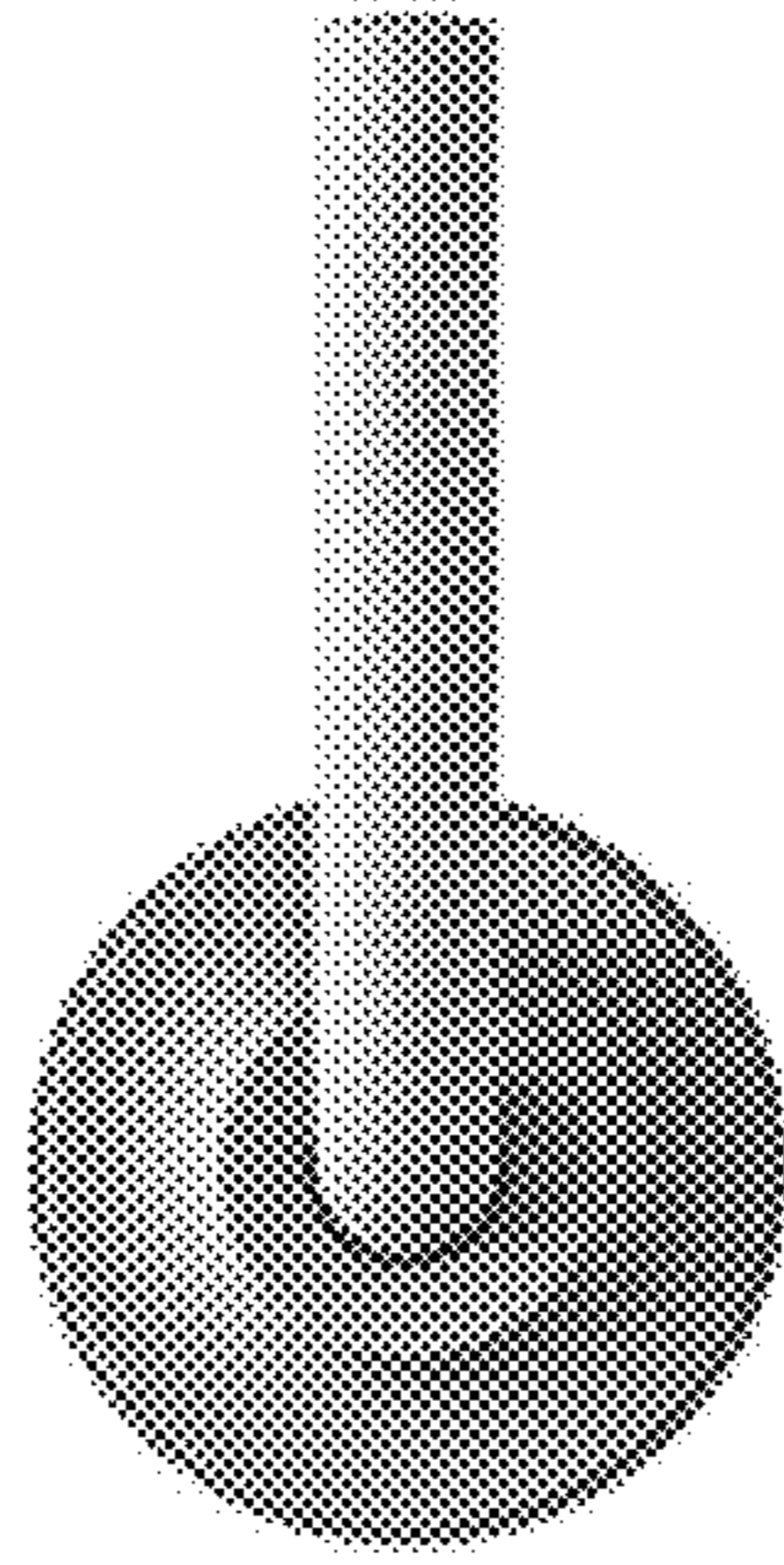


FIG. 2

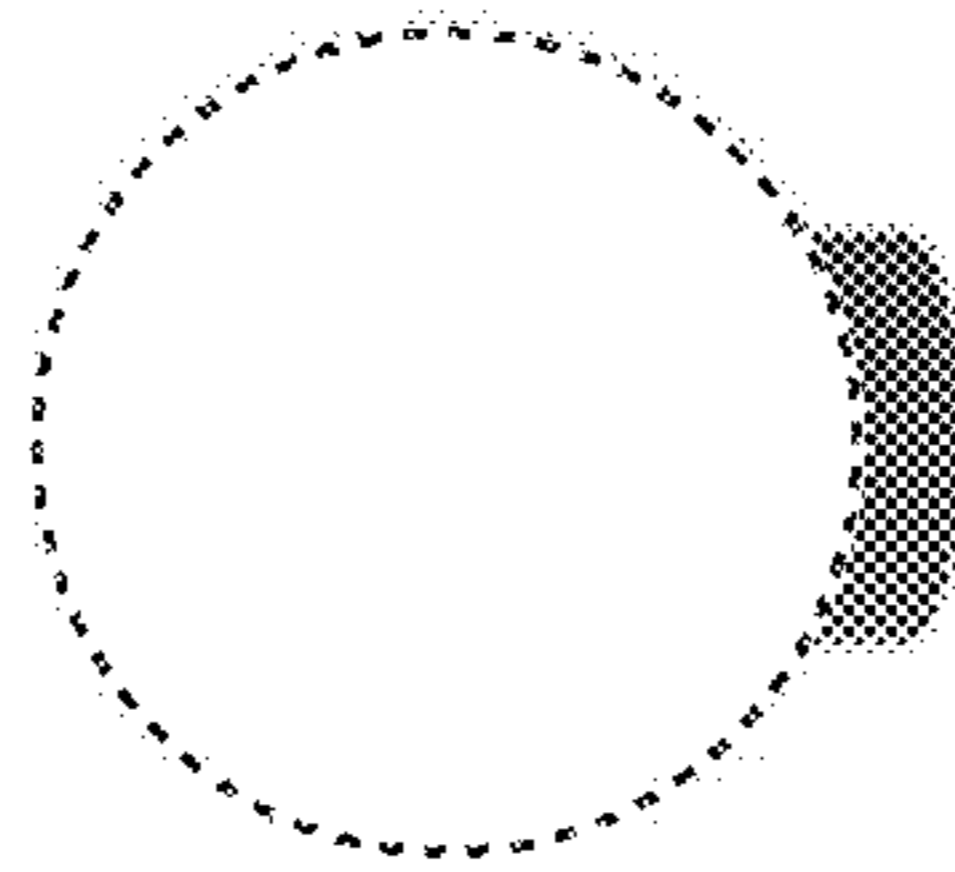
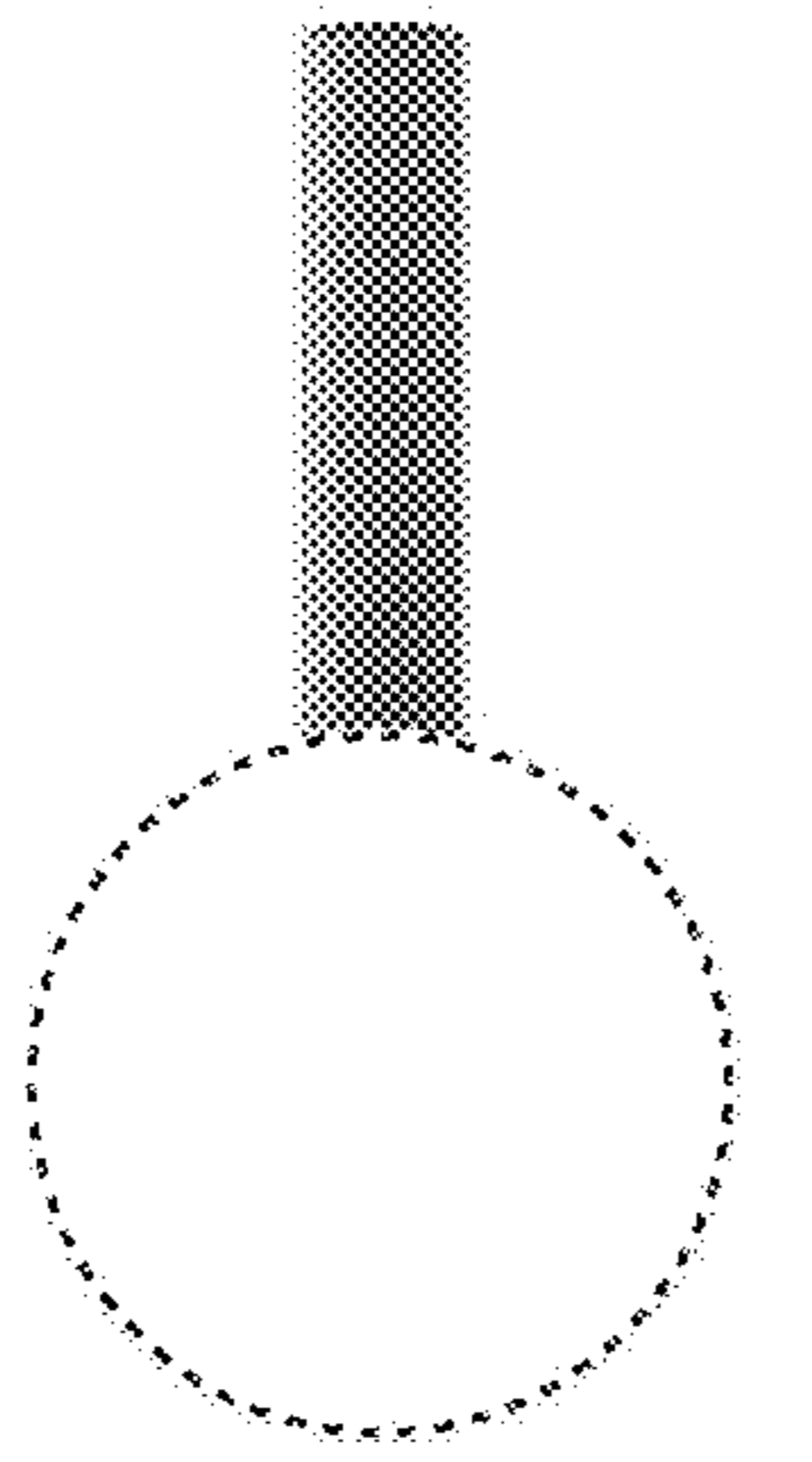


FIG. 3

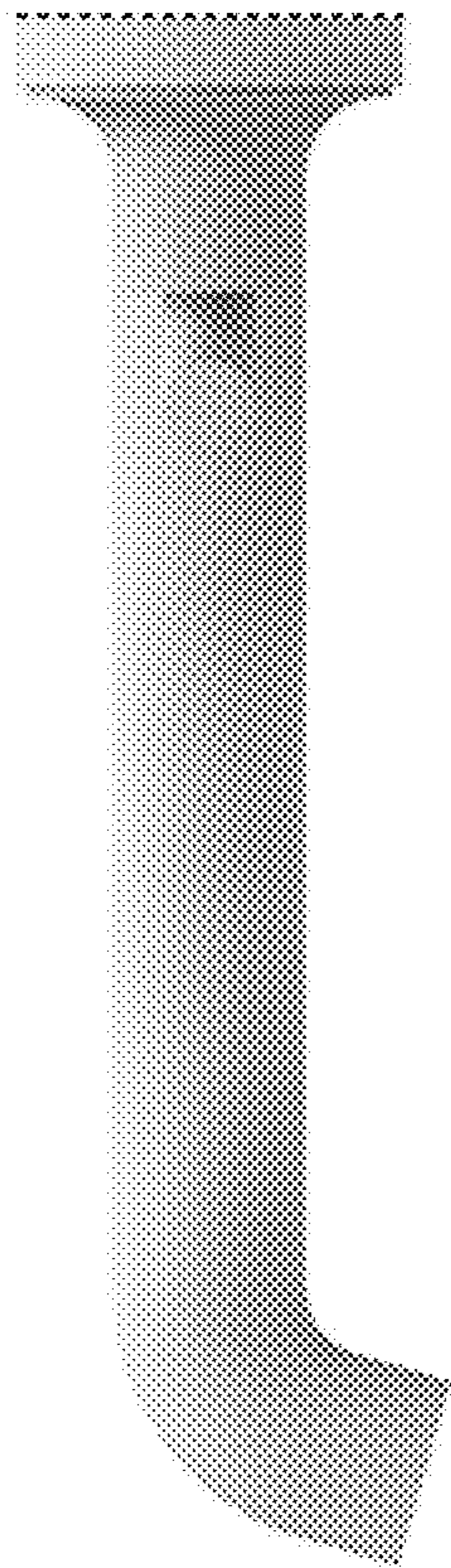


FIG. 4

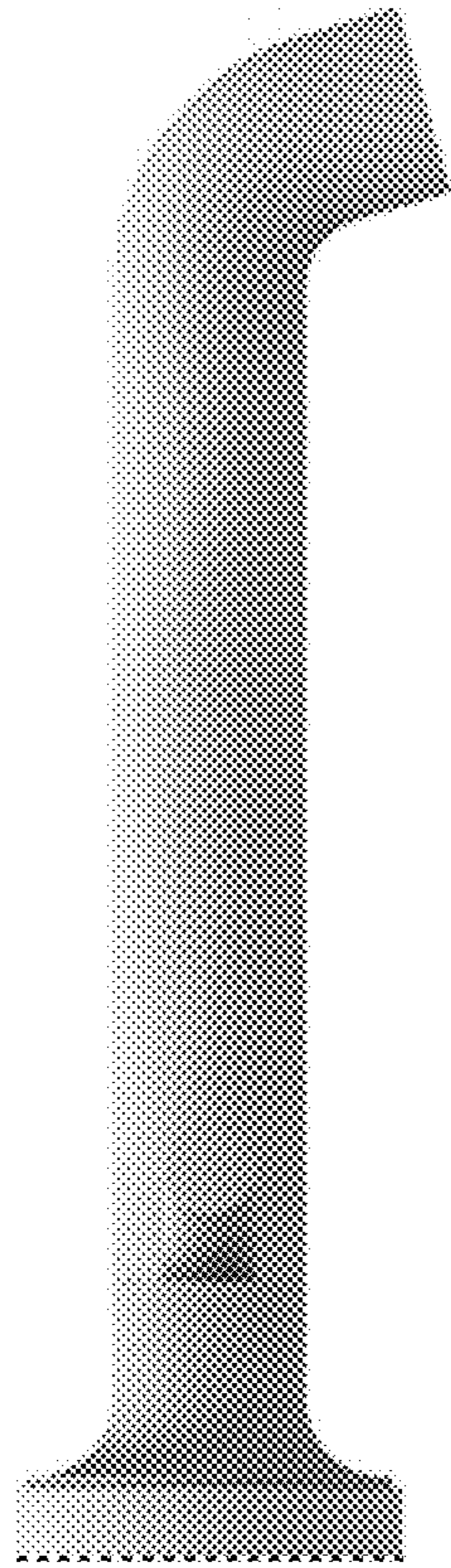


FIG. 5

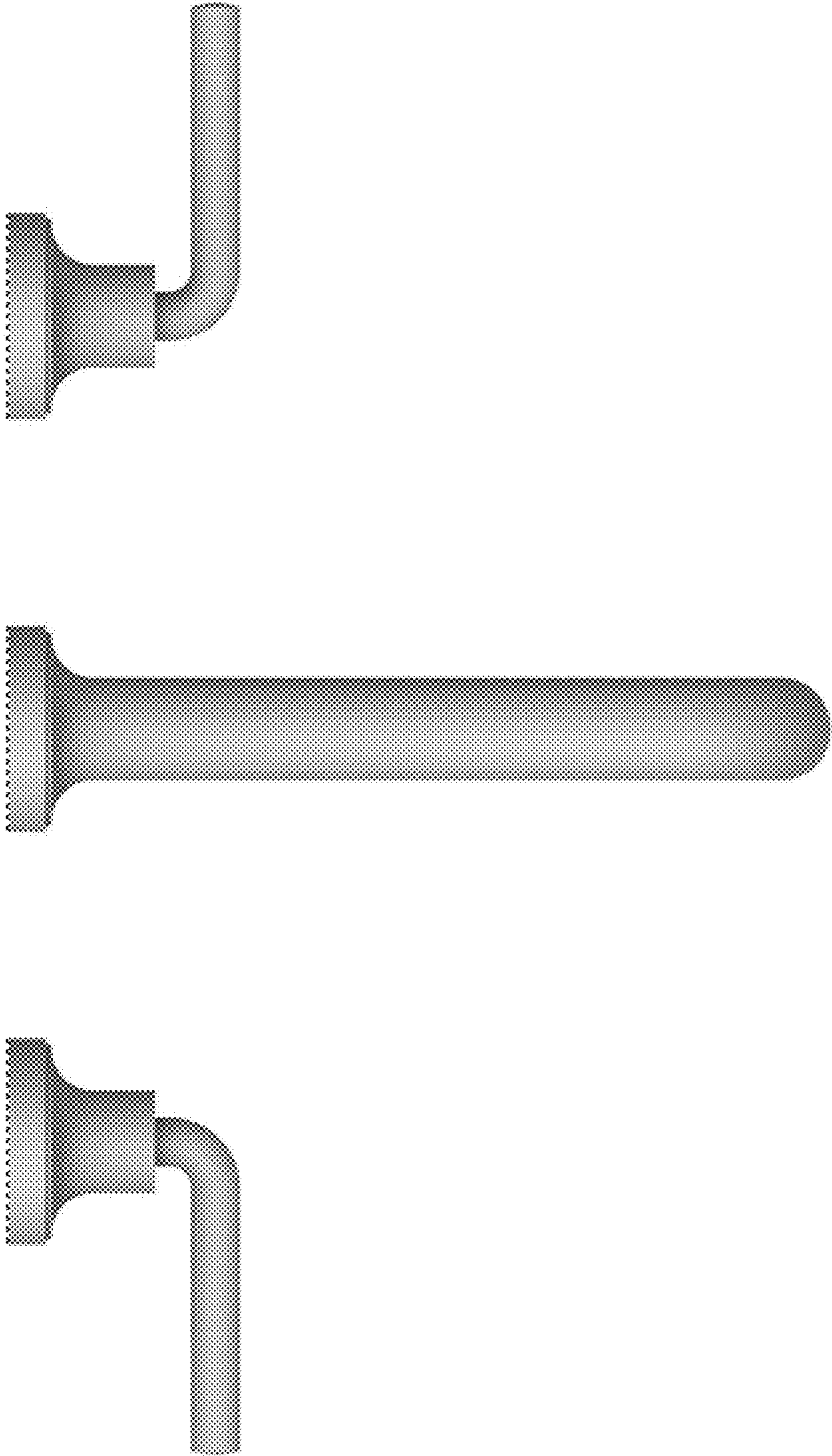


FIG. 6

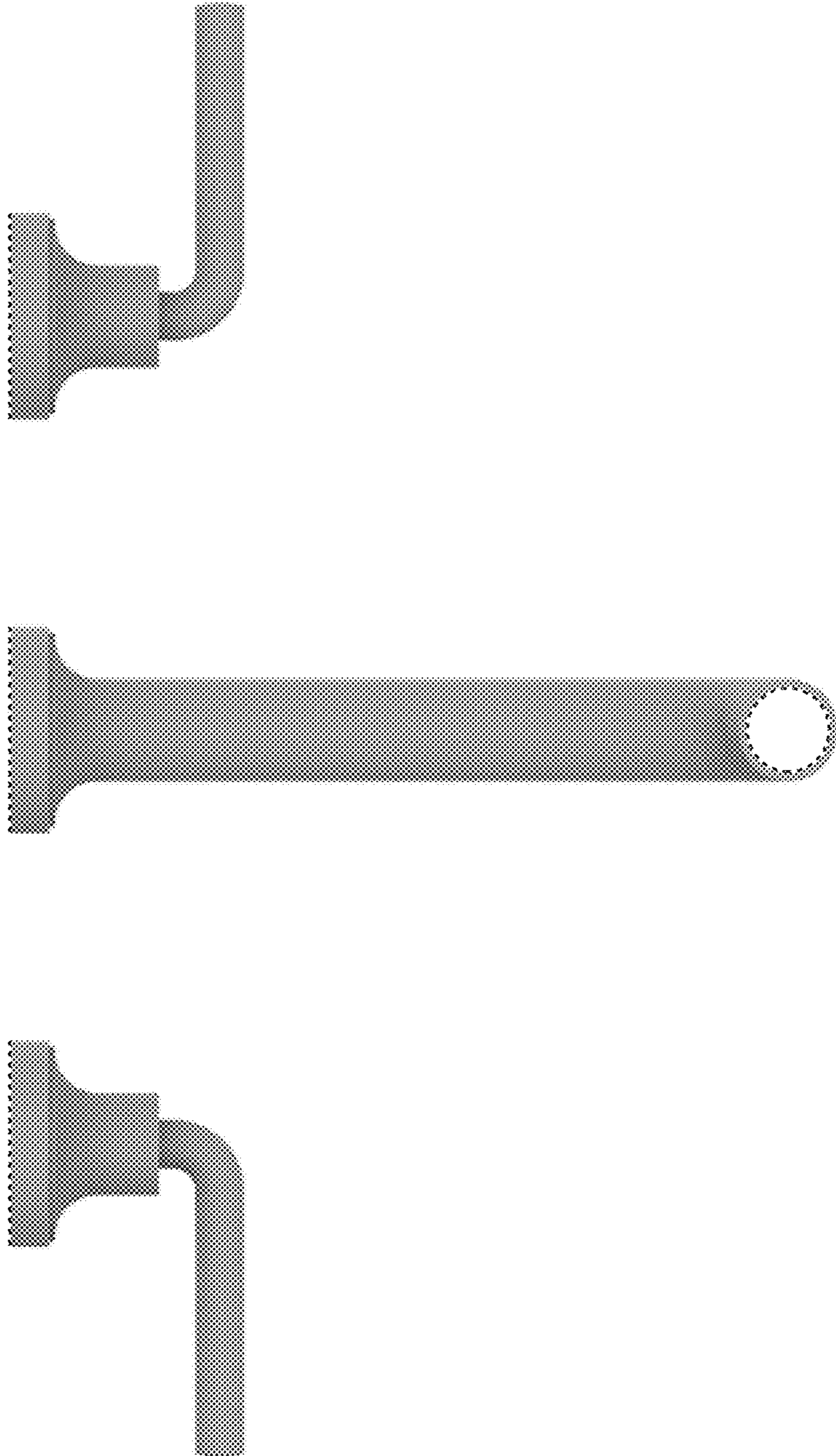


FIG. 7