



US00D890303S

(12) **United States Design Patent**
Potter

(10) **Patent No.:** **US D890,303 S**

(45) **Date of Patent:** **** Jul. 14, 2020**

(54) **FAUCET**

(71) Applicant: **Spectrum Brands, Inc.**, Middleton, WI (US)

(72) Inventor: **Cameron Potter**, Fullerton, CA (US)

(73) Assignee: **Spectrum Brands, Inc.**, Middleton, WI (US)

(**) Term: **15 Years**

(21) Appl. No.: **29/675,141**

(22) Filed: **Dec. 28, 2018**

(51) **LOC (12) Cl.** **23-01**

(52) **U.S. Cl.**
USPC **D23/238**

(58) **Field of Classification Search**
USPC D23/238, 241–243, 249–250, 252,
D23/254–255, 257; D8/307–308
CPC Y10T 137/9464; Y10T 137/6014; Y10T
137/6017
See application file for complete search history.

(56) **References Cited**

U.S. PATENT DOCUMENTS

D311,438 S	*	10/1990	Strignano	D23/242
D472,308 S	*	3/2003	Hundley	D23/238
D509,884 S	*	9/2005	Ouyoung	D23/255
D535,725 S	*	1/2007	Chu	D23/241
D568,447 S	*	5/2008	Lai	D23/252
D581,025 S		11/2008	Schonherr et al.		
D582,524 S		12/2008	McKeone		
D662,185 S	*	6/2012	Sieger	D23/238

D741,453 S		10/2015	Bahler		
D830,516 S	*	10/2018	Andrew	D23/238
D832,981 S	*	11/2018	Andrew	D23/238

OTHER PUBLICATIONS

Litze Single Control Faucet, by Brizo, 1 color sheet of photographs, taken from <https://www.brizo.com/bath/product/65035LF-NKPC>, disclosure date unknown but prior to the filing date of the present application.

Flyte Single Control Faucet, by Waterworks, 1 color sheet of photographs, taken from https://www.waterworks.com/us_en/flyte-low-profile-one-hole-deck-mounted-lavatory-faucet-with-metal-lever-handles-flls50, disclosure date unknown but prior to the filing date of the present application.

* cited by examiner

Primary Examiner — Robert A Delehanty

(74) *Attorney, Agent, or Firm* — Banner & Witcoff, Ltd.

(57) **CLAIM**

The ornamental design for a faucet, as shown and described.

DESCRIPTION

FIG. 1 is a front perspective view of a faucet showing my new design;

FIG. 2 is a front view thereof;

FIG. 3 is a rear view thereof;

FIG. 4 is a right side view thereof;

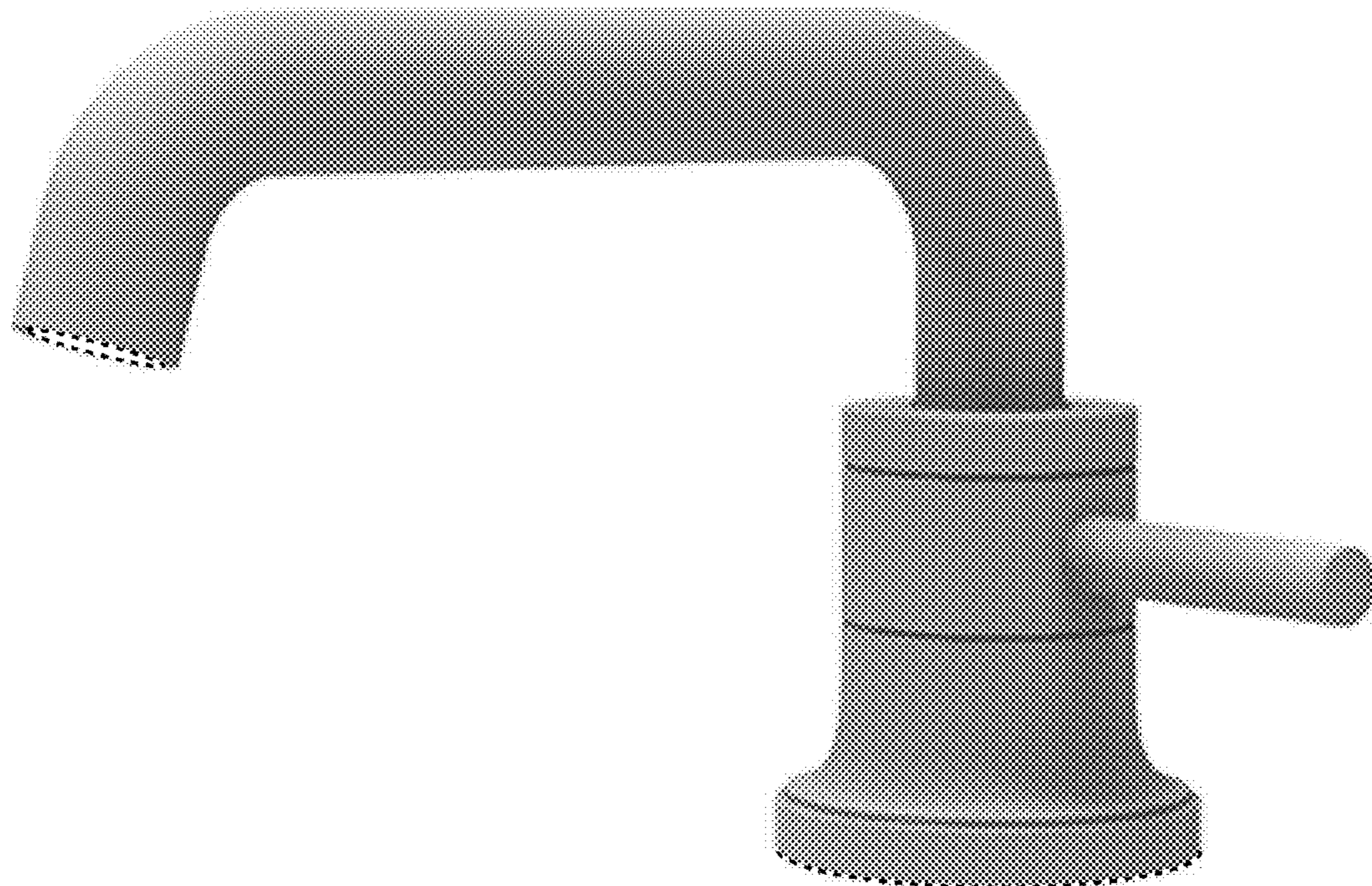
FIG. 5 is a left side view thereof;

FIG. 6 is a top view thereof; and,

FIG. 7 is a bottom view thereof.

The broken lines immediately adjacent to the photographic area at its bottom edge and its spout opening define the bounds of the claimed design and form no part thereof.

1 Claim, 7 Drawing Sheets



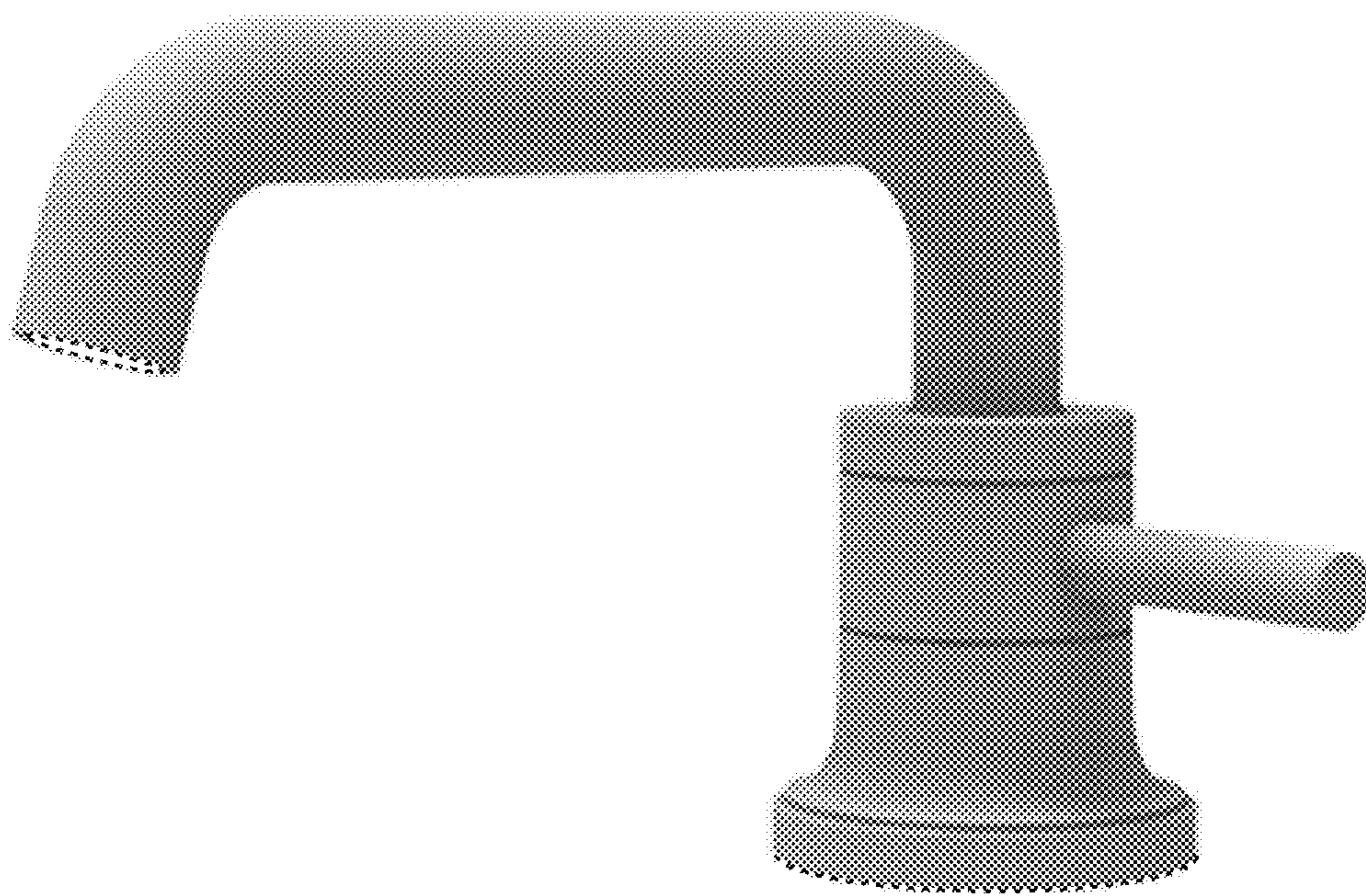


FIG. 1

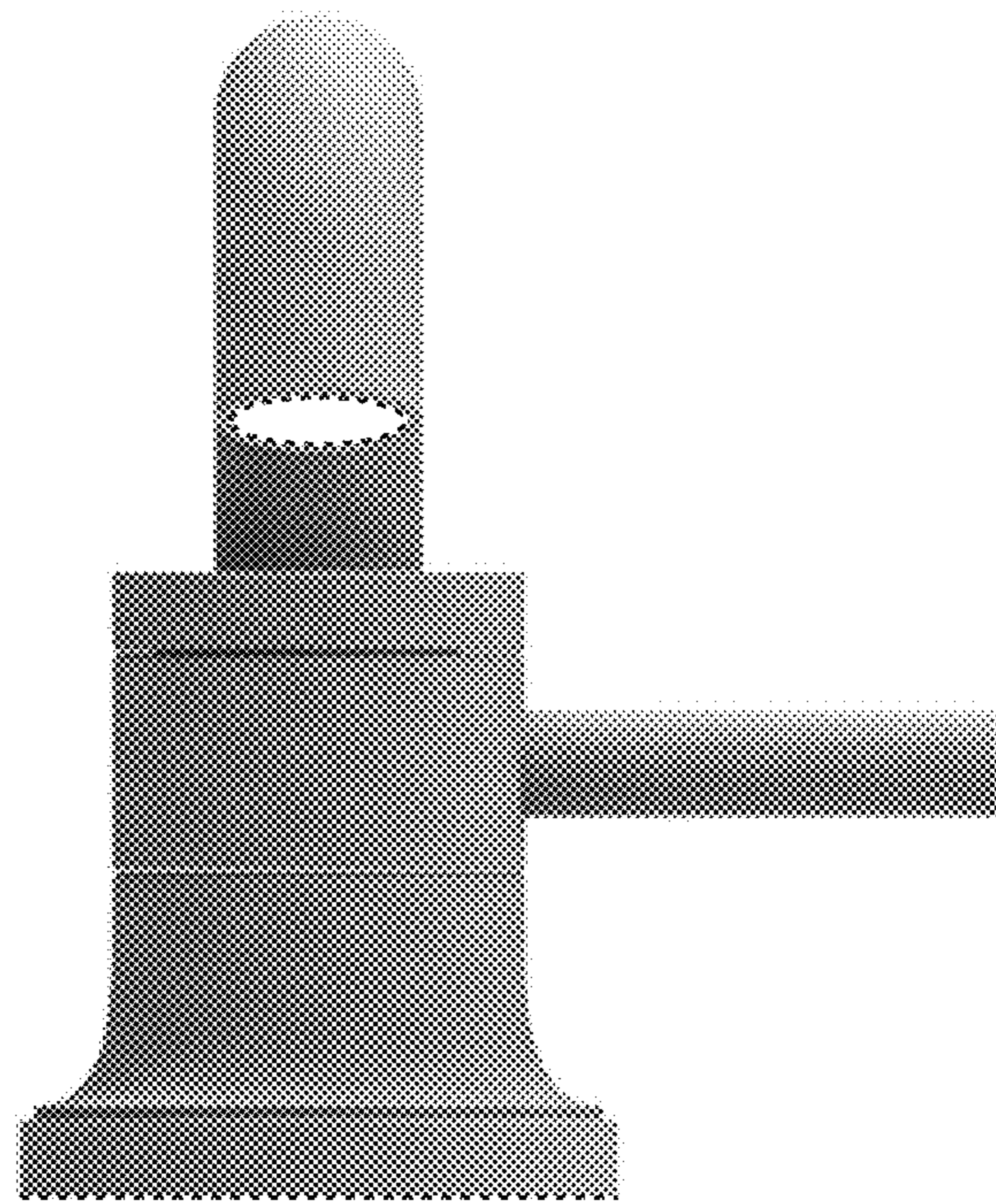


FIG. 2

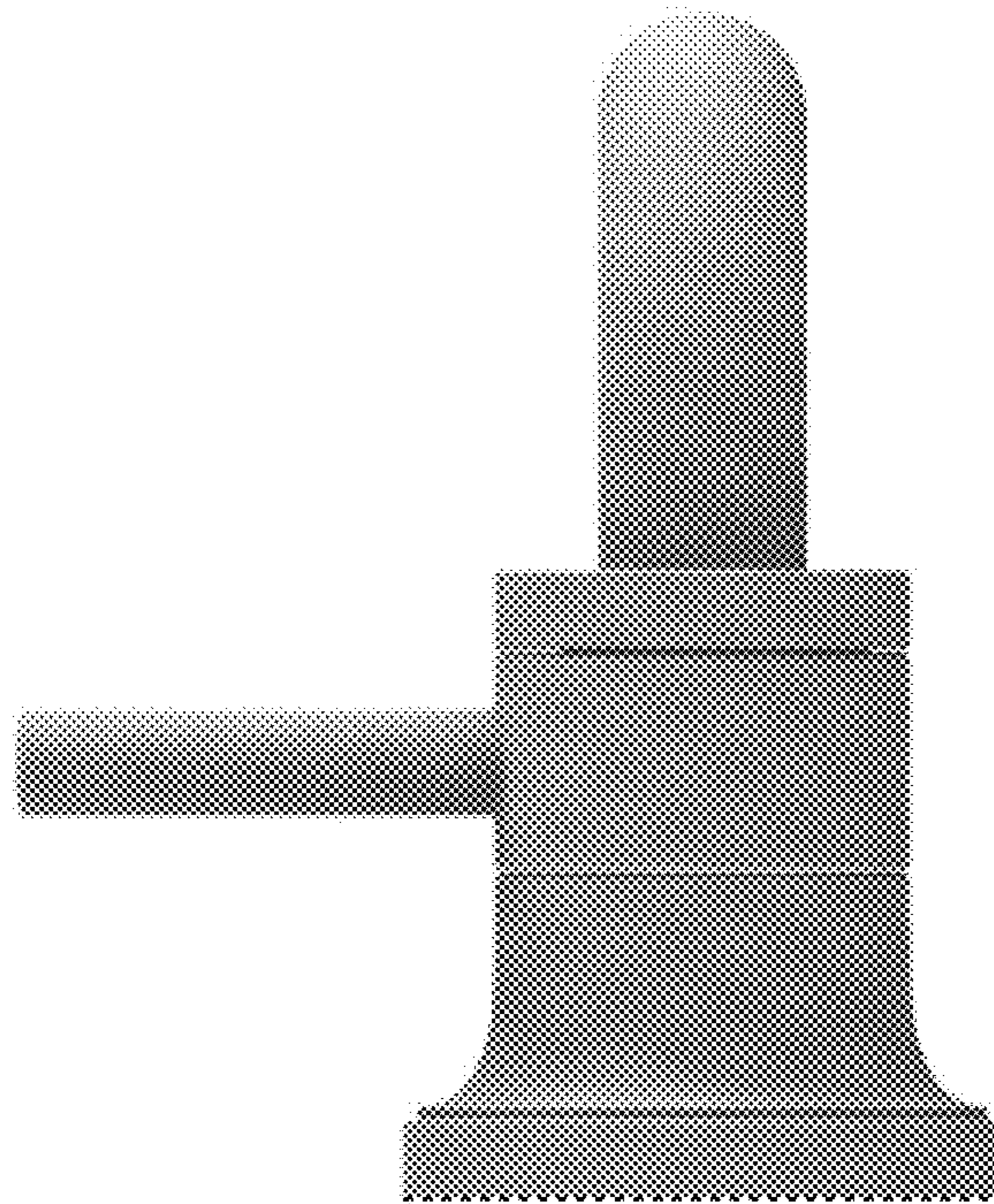


FIG. 3

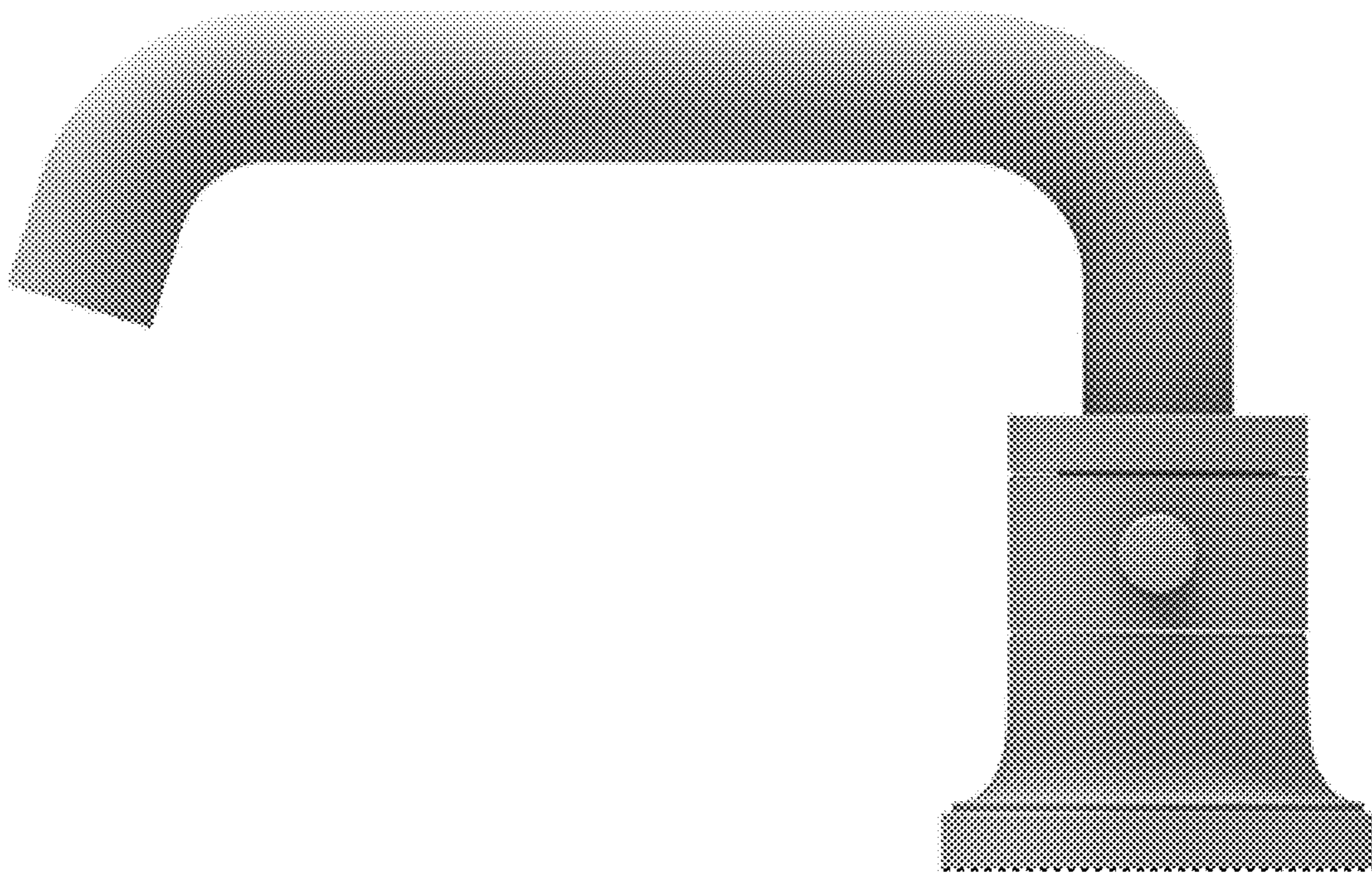


FIG. 4

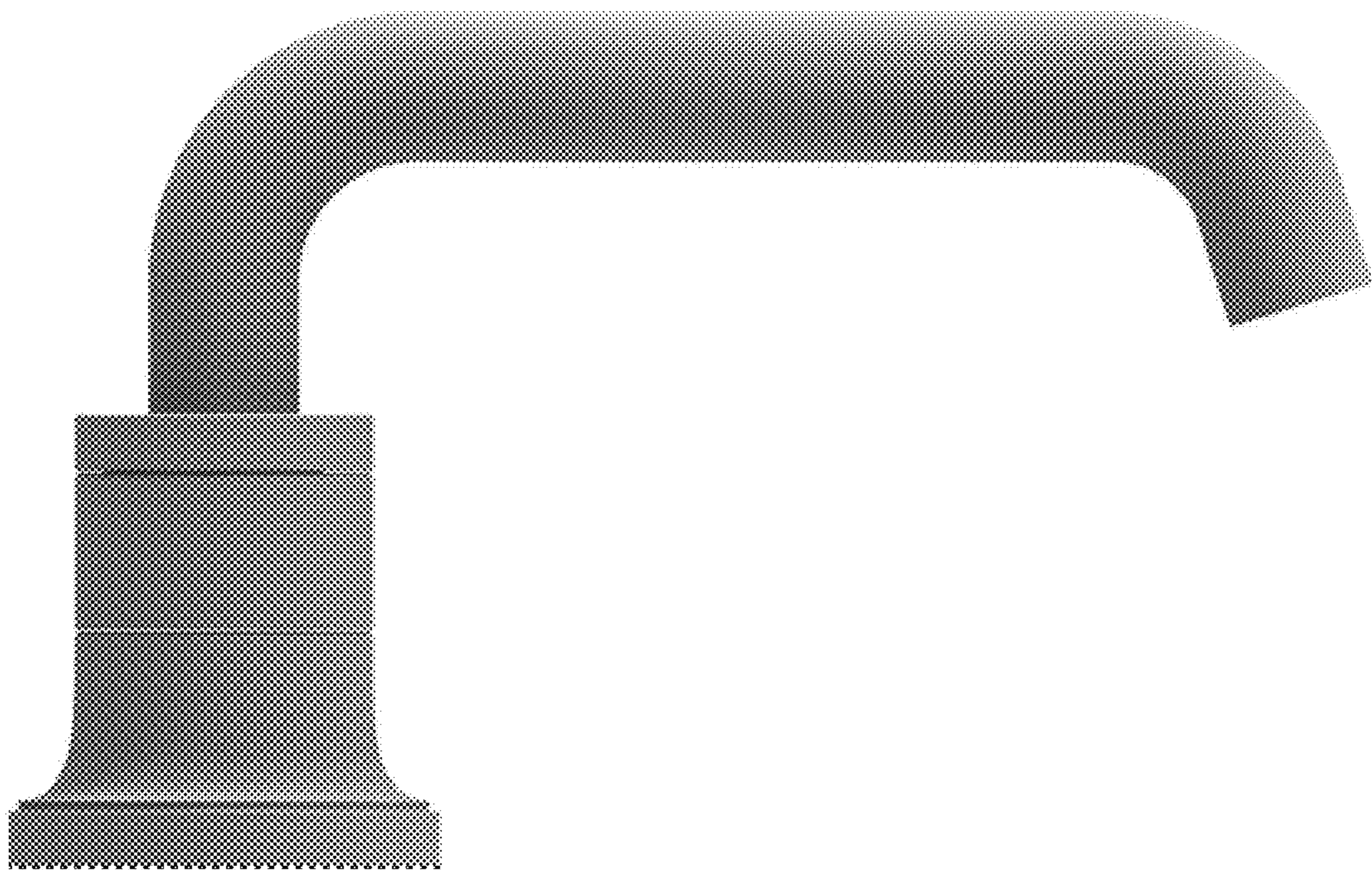


FIG. 5

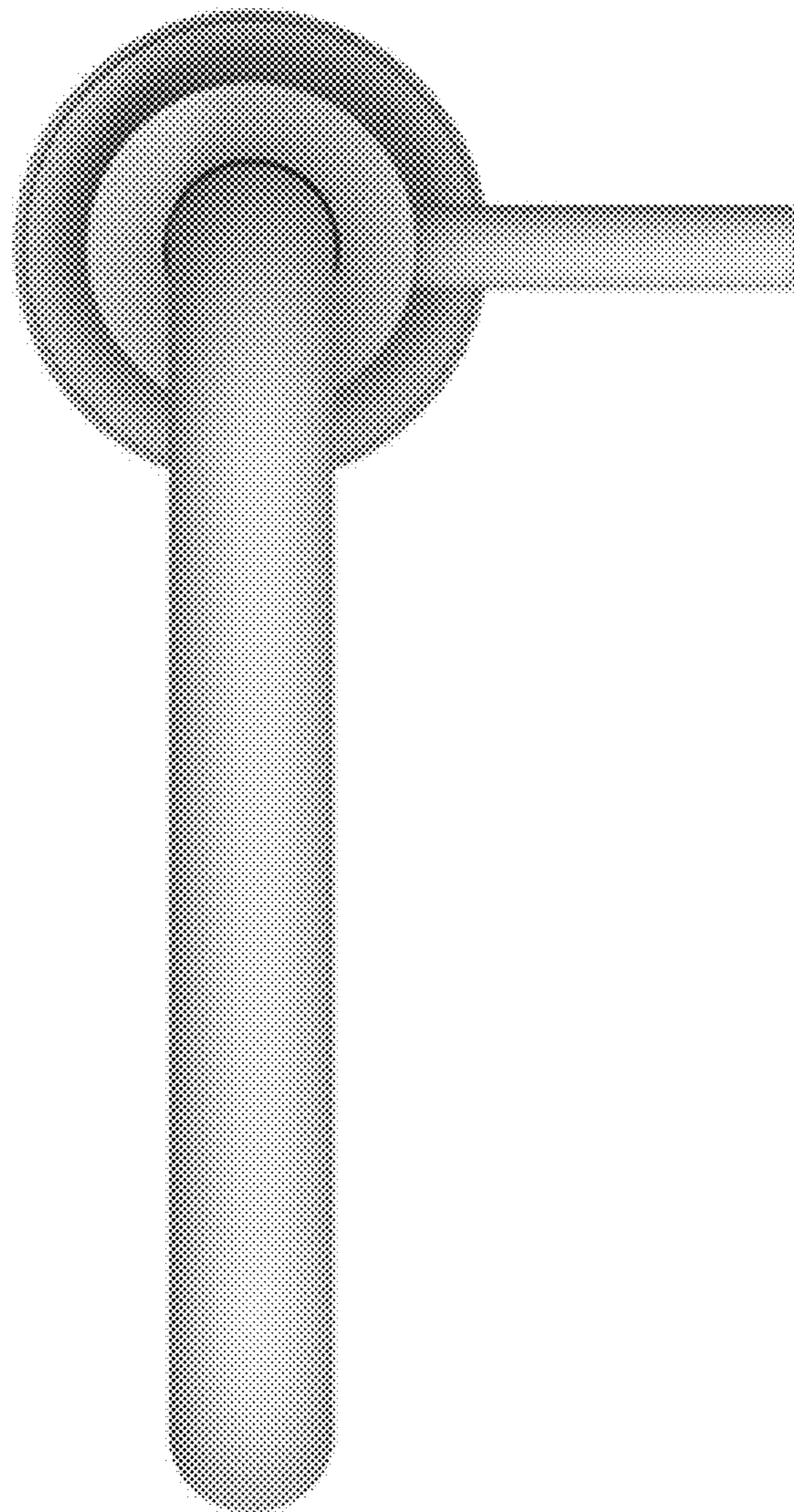


FIG. 6

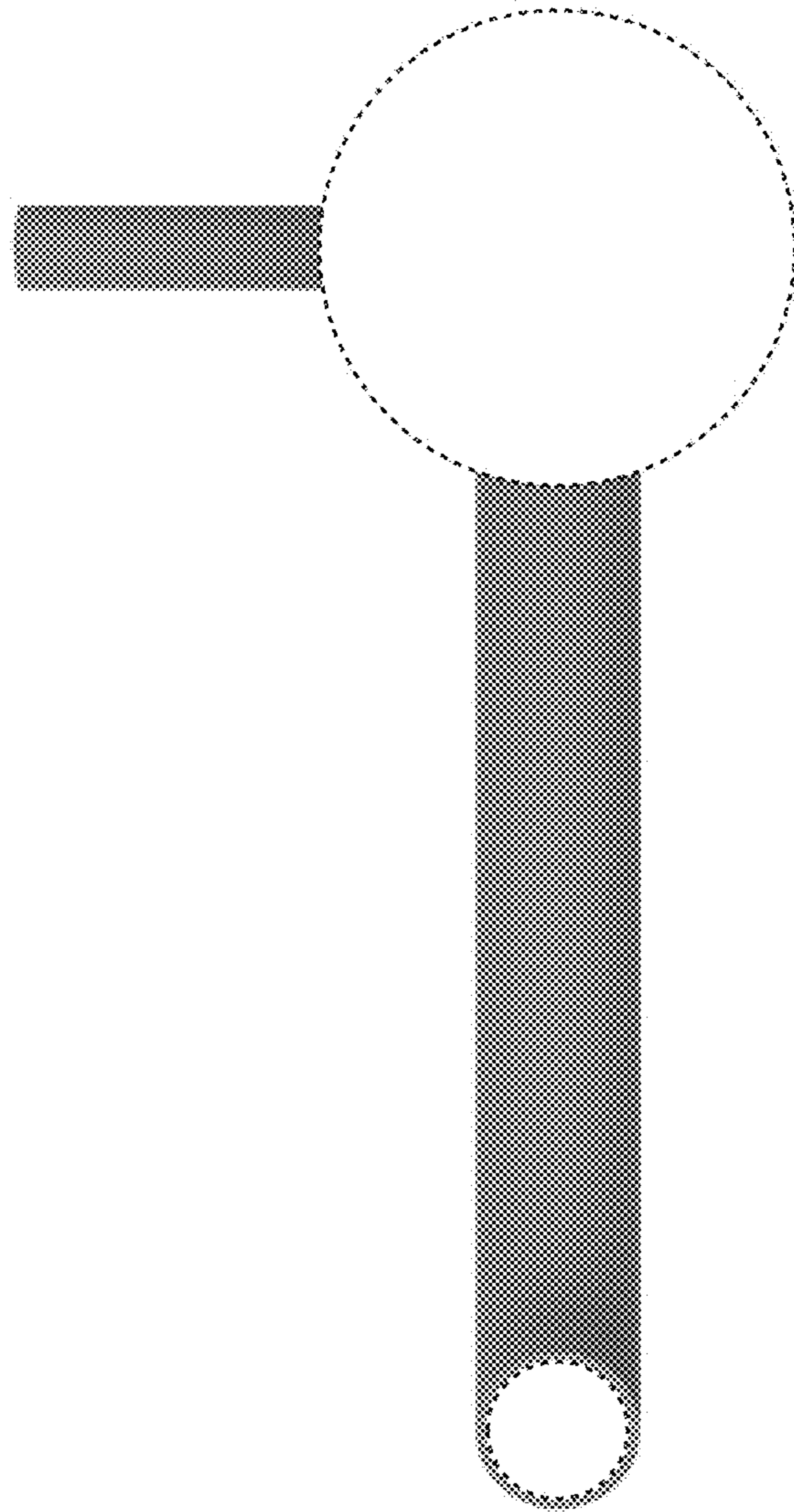


FIG. 7