



US00D890301S

(12) **United States Design Patent** (10) **Patent No.:** **US D890,301 S**
Kempf et al. (45) **Date of Patent:** **** Jul. 14, 2020**

(54) **VALVE**

(74) *Attorney, Agent, or Firm* — Perkins Coie LLP

(71) Applicant: **MINIMAX GMBH & CO. KG**, Bad Oldesloe (DE)

(57) **CLAIM**

The ornamental design for a valve, as shown and described.

(72) Inventors: **Peter Kempf**, Bad Oldesloe (DE);
Frank Stachowitz, Ratzeburg (DE);
Loh Patrick, Hamburg (DE); **Volker Bechtloff**, Timmendorfer Strand (DE)

DESCRIPTION

The patent or application file contains at least one drawing executed in color. Copies of this patent or patent application publication with color drawing(s) will be provided by the Office upon request and payment of the necessary fee.

(73) Assignee: **Minimax Viking GmbH & Co. KG**, Bad Oldesloe (DE)

1.-9. Valves

(**) Term: **15 Years**

1.1 : Perspective

(21) Appl. No.: **35/505,448**

1.2 : Right

(22) Filed: **Feb. 5, 2018**

1.3 : Front

(80) **Hague Agreement Data**

1.4 : Top

Int. Filing Date: **Feb. 5, 2018**

1.5 : Bottom

Int. Reg. No.: **DM/099876**

1.6 : Left

Int. Reg. Date: **Feb. 5, 2018**

1.7 : Back

Int. Reg. Pub. Date: **Aug. 10, 2018**

2.1 : Perspective

(30) **Foreign Application Priority Data**

2.2 : Top

Aug. 4, 2017 (DE) 40 2017 100 888

2.3 : Left

(51) **LOC (12) Cl.** **23-01**

2.4 : Right

(52) **U.S. Cl.**

2.5 : Bottom

USPC **D23/233**

2.6 : Back

(58) **Field of Classification Search**

2.7 : Front

USPC D23/233-250

3.1 : Perspective

(Continued)

3.2 : Top

(56) **References Cited**

3.3 : Right

U.S. PATENT DOCUMENTS

D218,306 S * 8/1970 Kreis et al. D23/245

3.4 : Left

D615,618 S * 5/2010 Someya D23/233

3.5 : Bottom

(Continued)

3.6 : Back

Primary Examiner — Khawaja Anwar

3.7 : Front

4.1 : Perspective

4.2 : Right

4.3 : Top

4.4 : Back

4.5 : Bottom

4.6 : Front

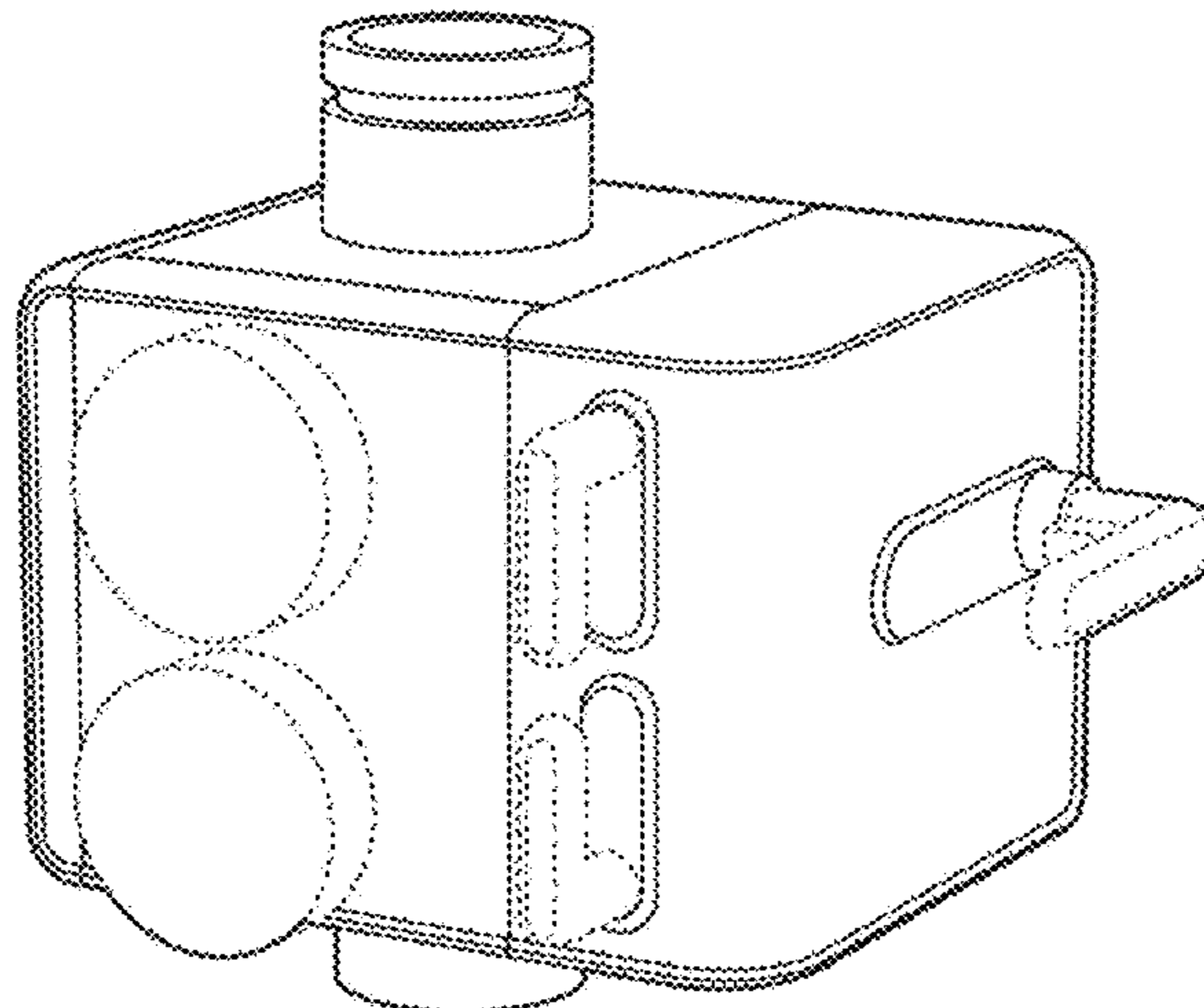
4.7 : Left

5.1 : Perspective

5.2 : Top

5.3 : Right

(Continued)



5.4 : Left
5.5 : Back
5.6 : Bottom
5.7 : Front
6.1 : Perspective
6.2 : Top
6.3 : Right
6.4 : Left
6.5 : Back
6.6 : Front
6.7 : Bottom
7.1 : Perspective
7.2 : Top
7.3 : Front
7.4 : Bottom
7.5 : Right
7.6 : Left
7.7 : Back
8.1 : Perspective
8.2 : Left
8.3 : Right
8.4 : Top
8.5 : Back
8.6 : Bottom
8.7 : Front
9.1 : Perspective

9.2 : Left
9.3 : Right
9.4 : Top
9.5 : Front

The valves for fire extinguishing system include a housing which has a fluid inlet chamber.

**1 Claim, 61 Drawing Sheets
(21 of 61 Drawing Sheet(s) Filed in Color)**

(58) **Field of Classification Search**

CPC F16K 31/02; F16L 19/00

See application file for complete search history.

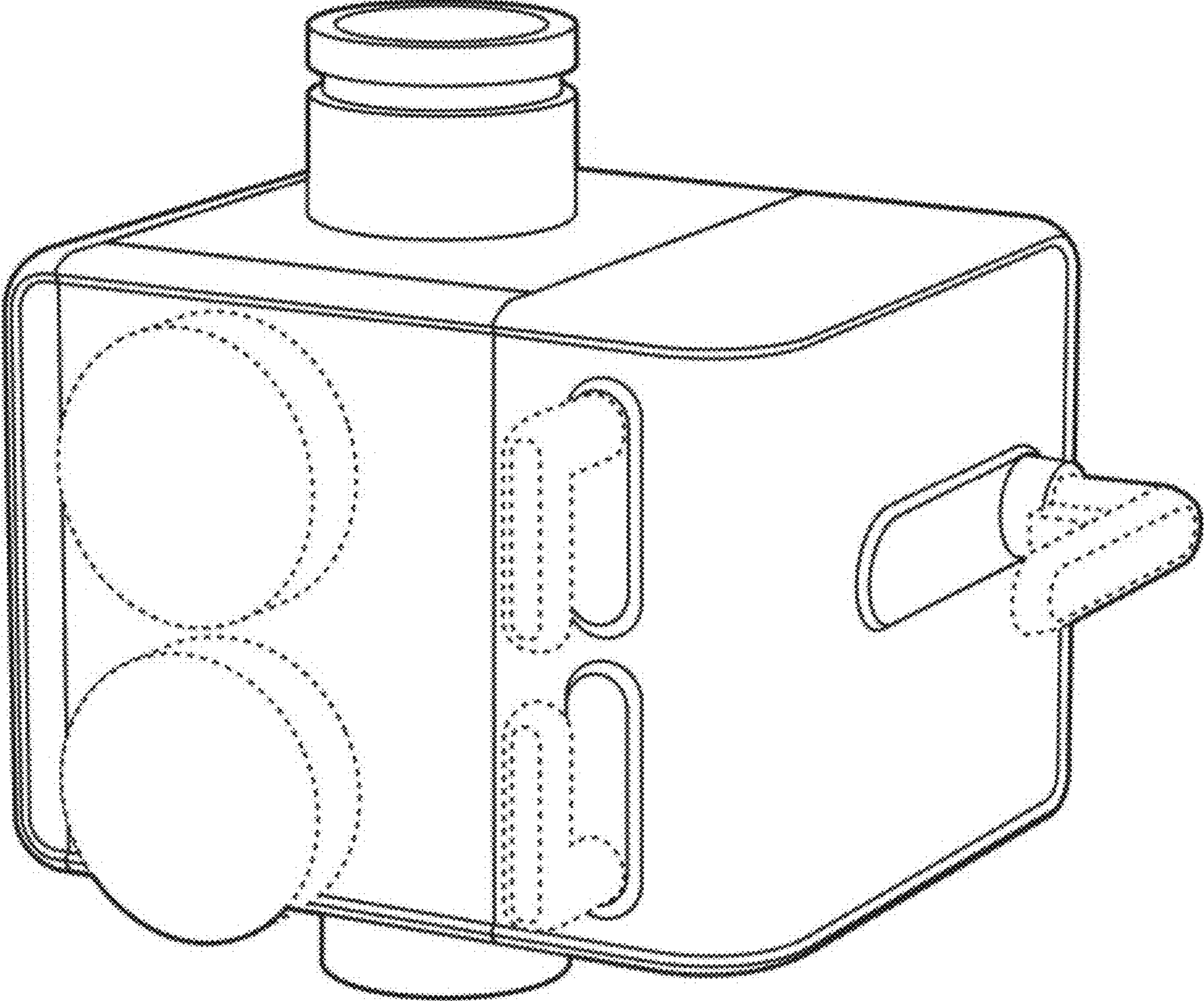
(56) **References Cited**

U.S. PATENT DOCUMENTS

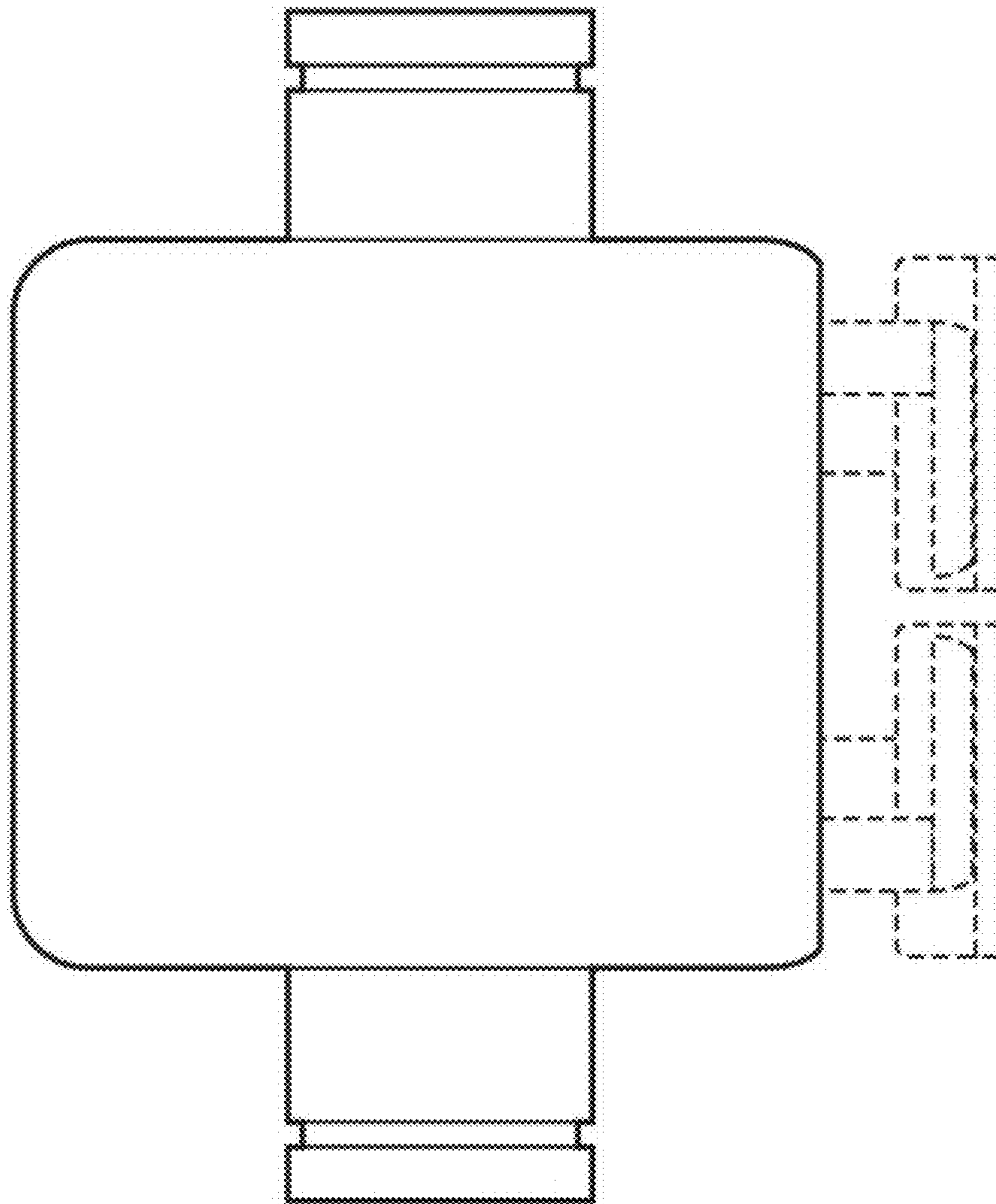
D820,955 S *	6/2018	Ito	D23/235
D820,956 S *	6/2018	Ito	D23/235
D844,107 S *	3/2019	Ito	D23/233
D844,750 S *	4/2019	Wilson	D23/233
D850,583 S *	6/2019	Uehara	D23/233
D862,644 S *	10/2019	Qiu	D23/233

* cited by examiner

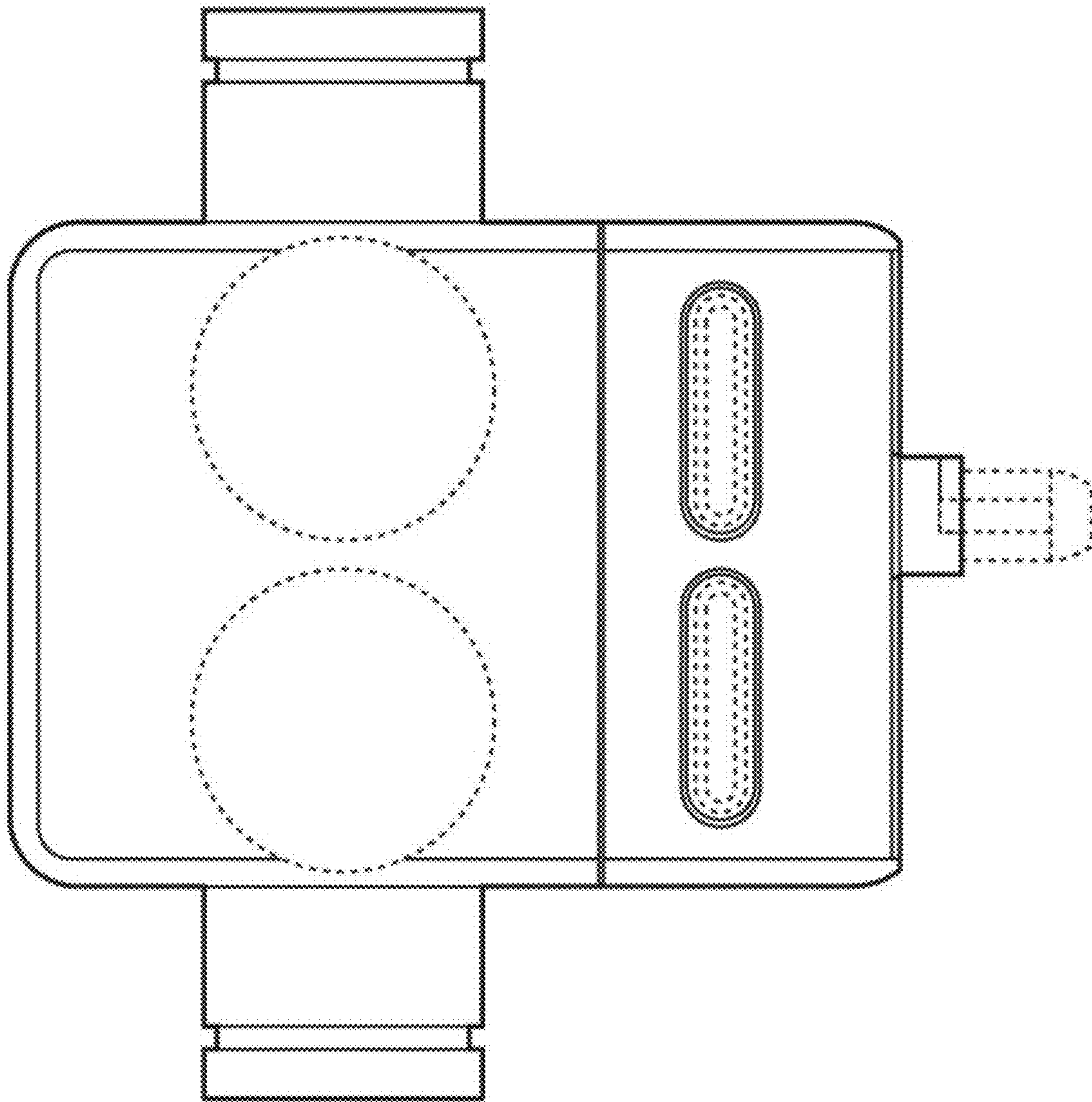
1.1



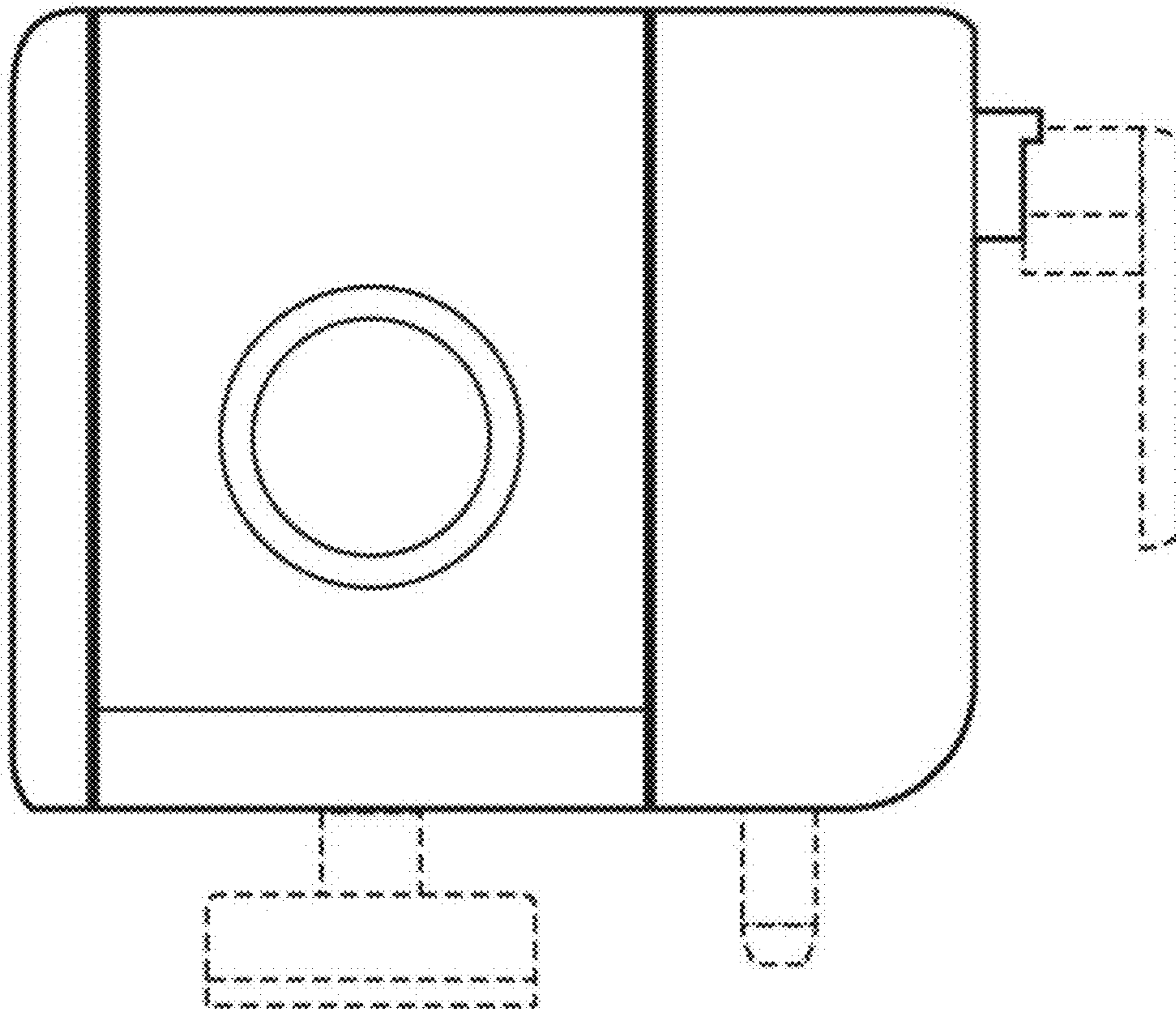
1.2



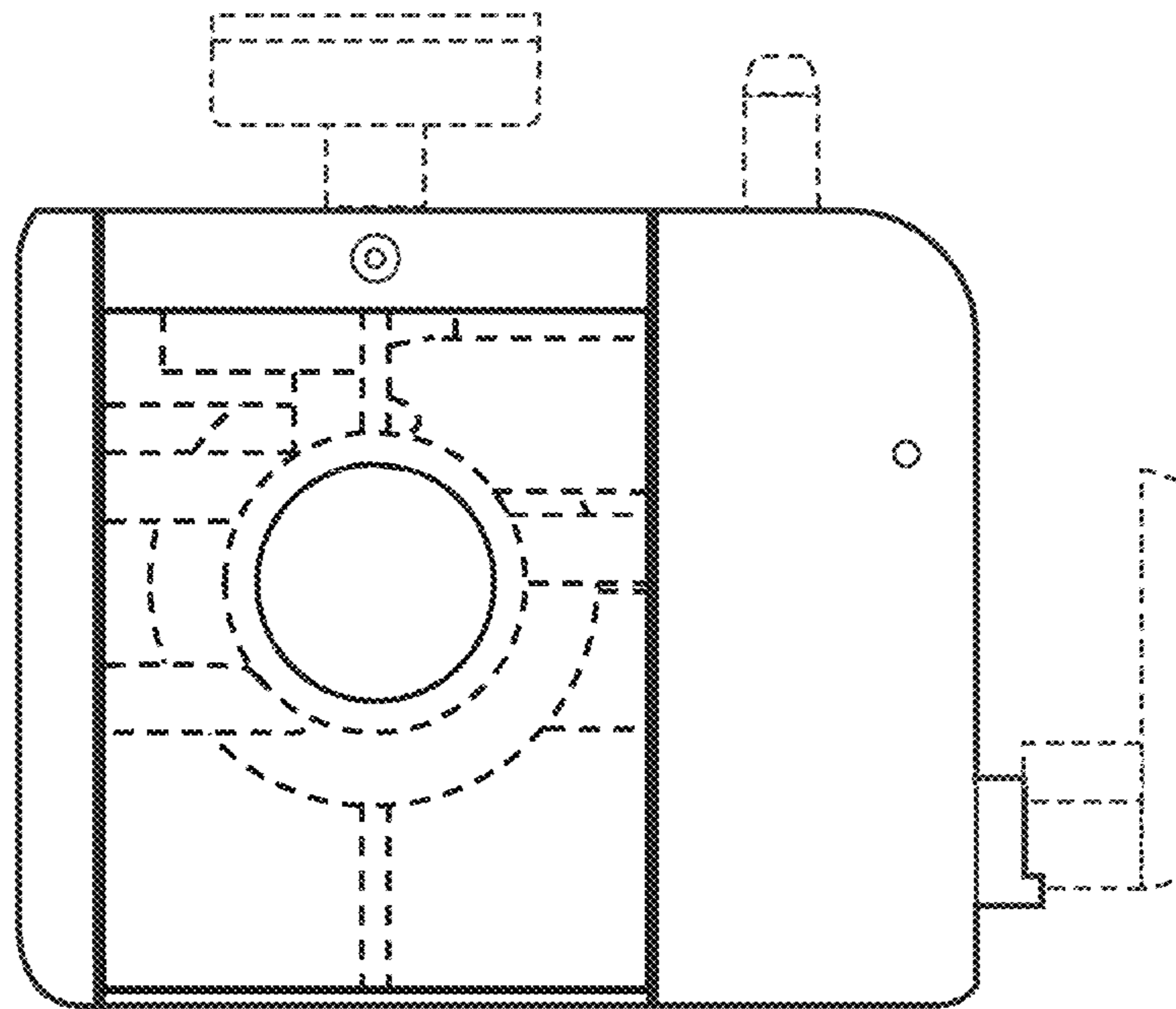
1.3



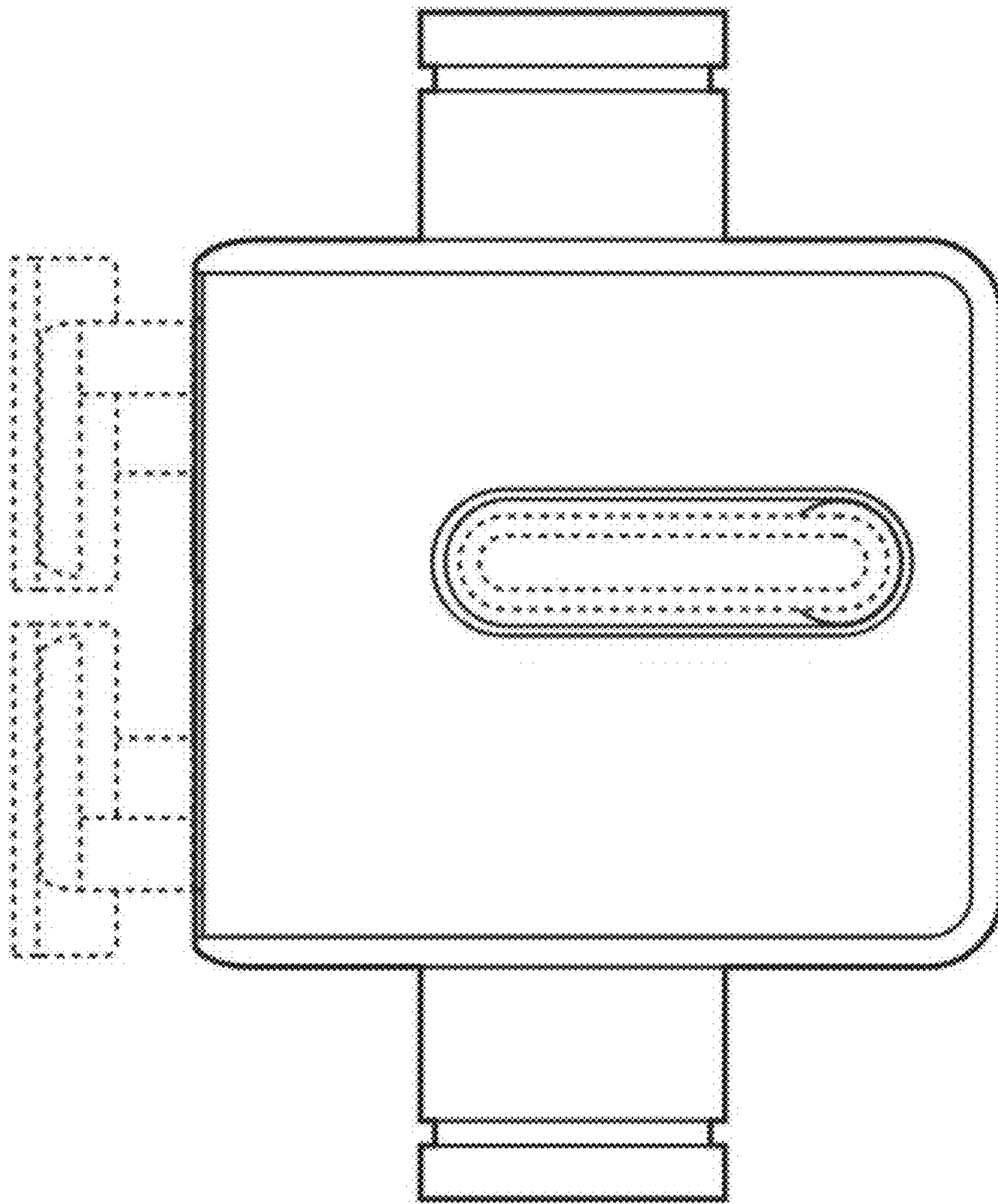
1.4



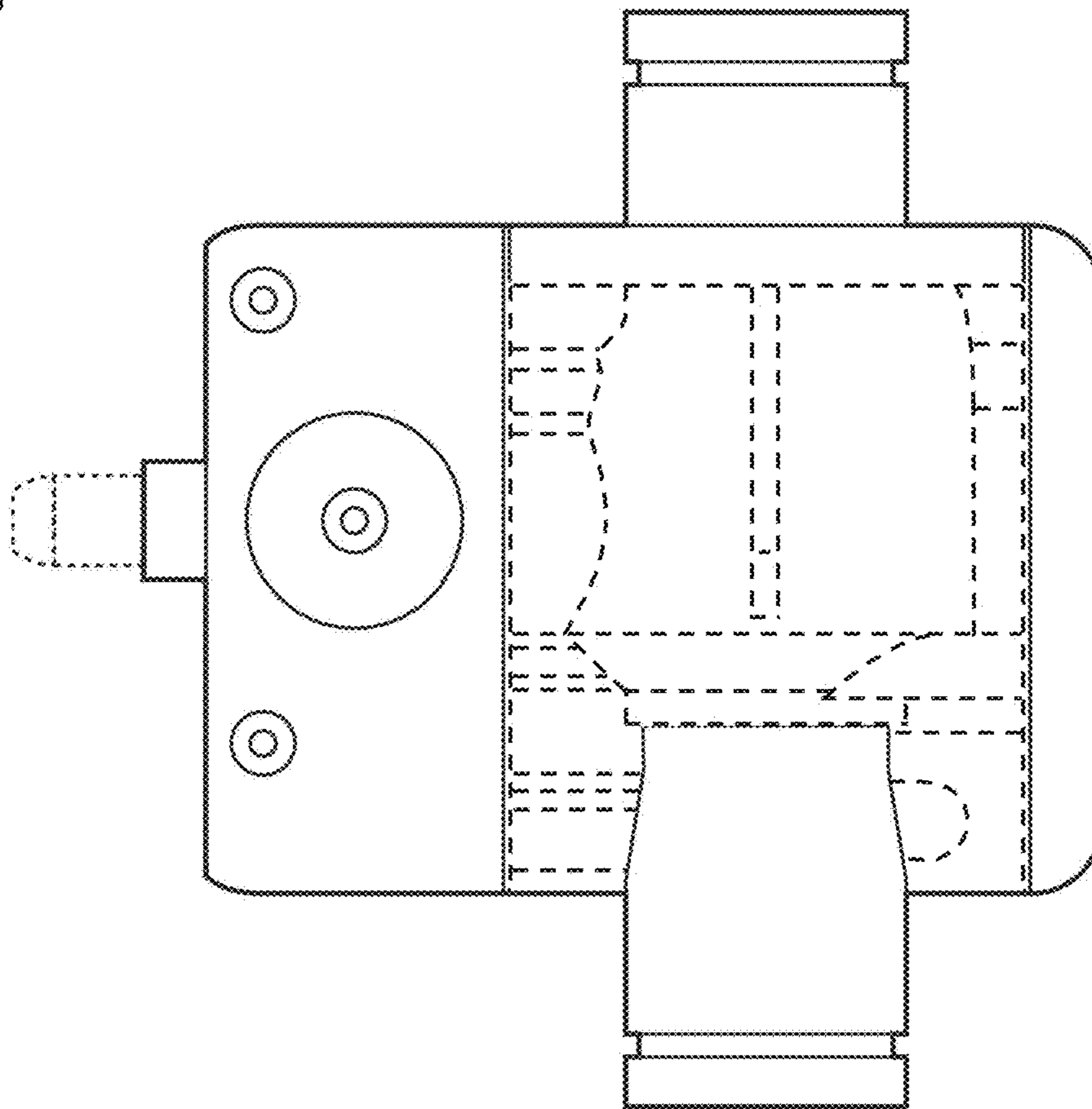
1.5



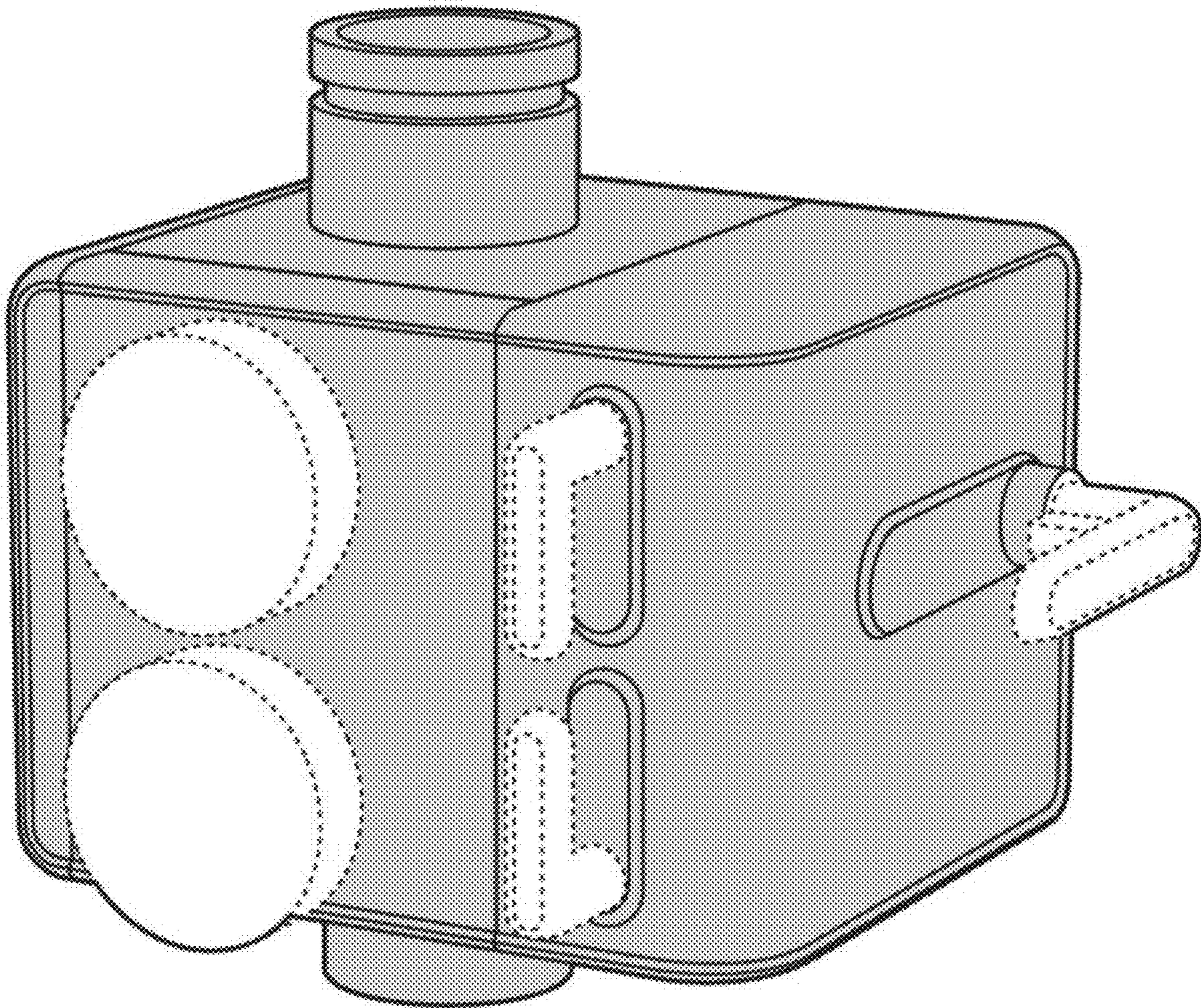
1.6



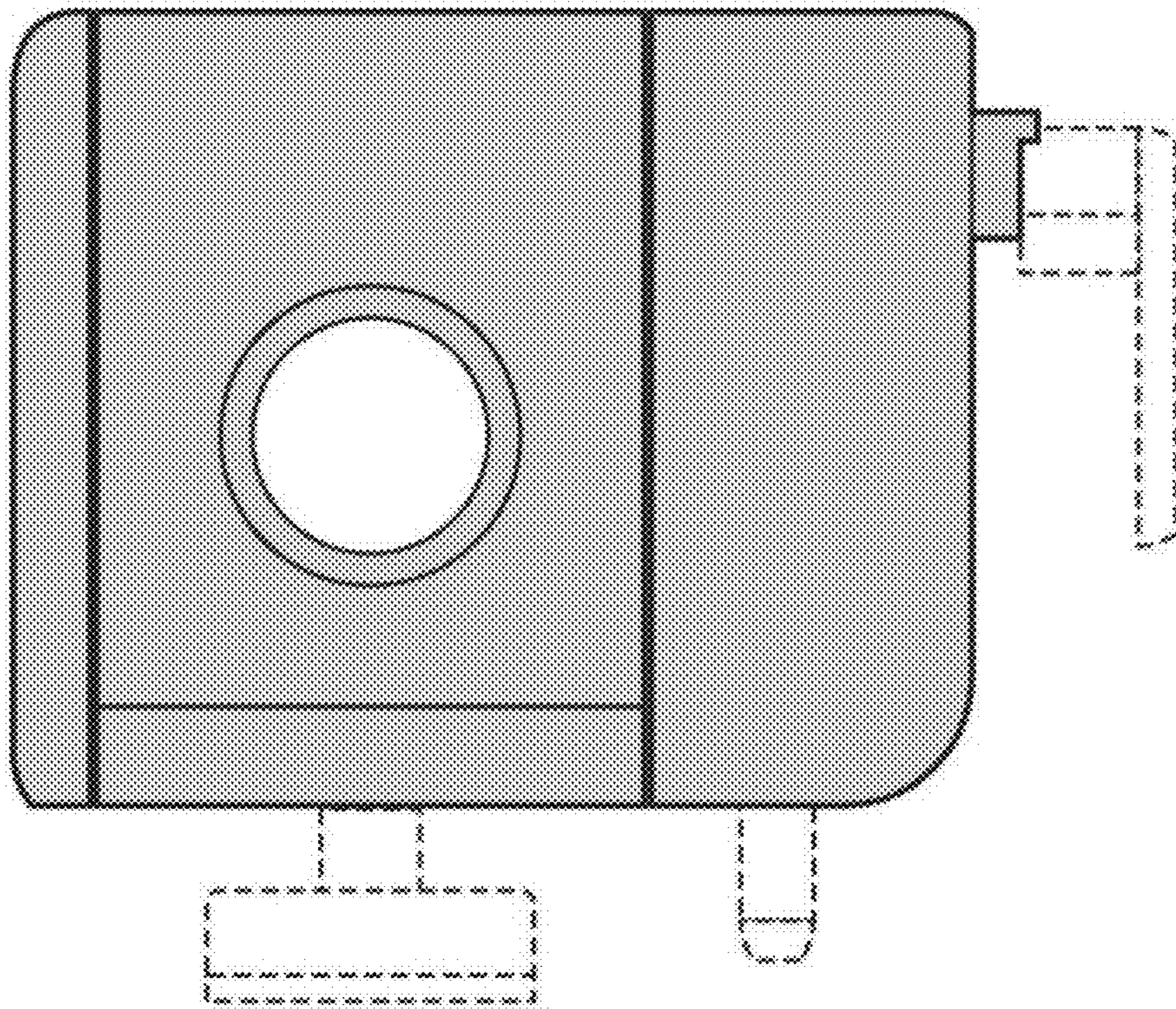
1.7



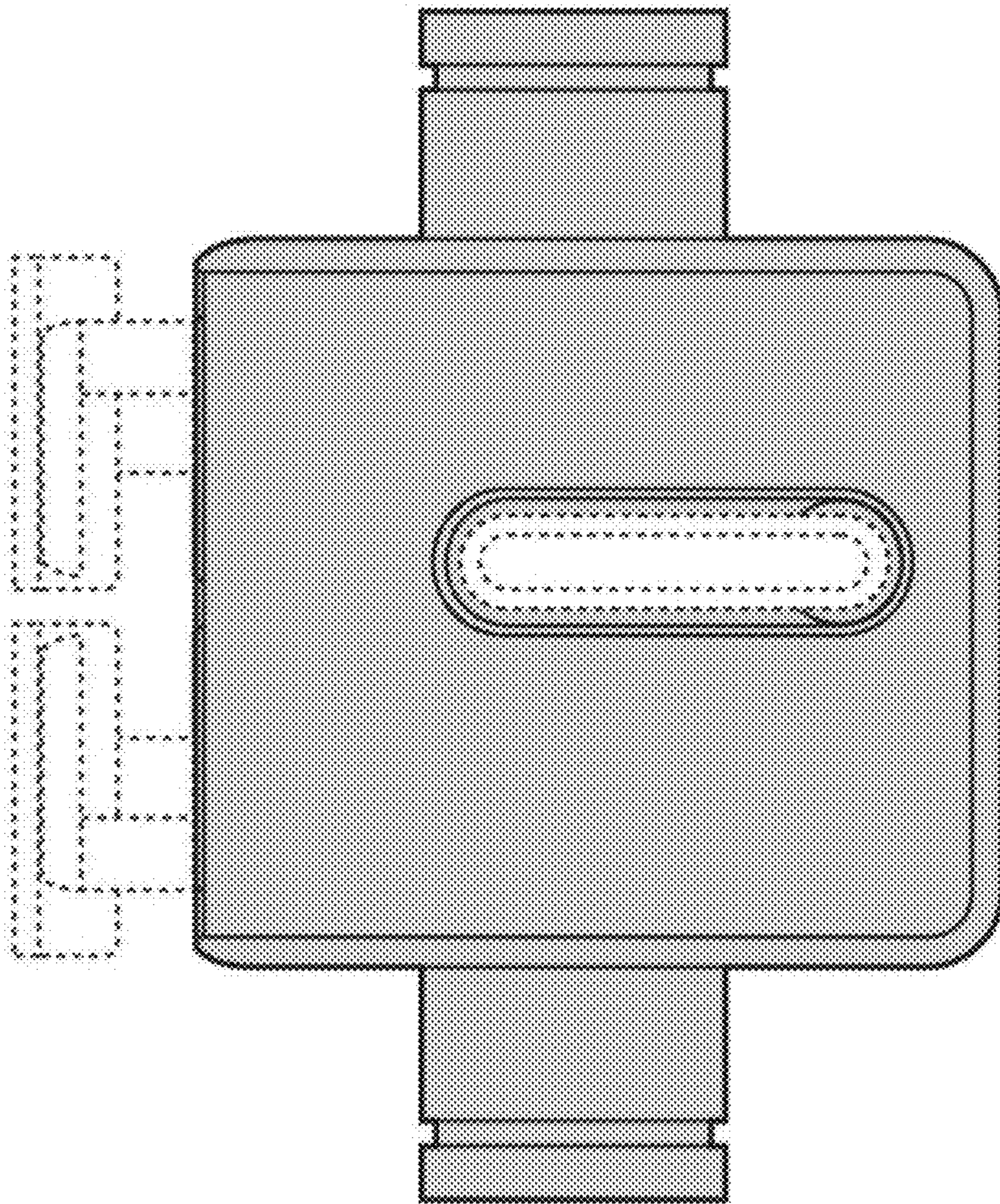
2.1



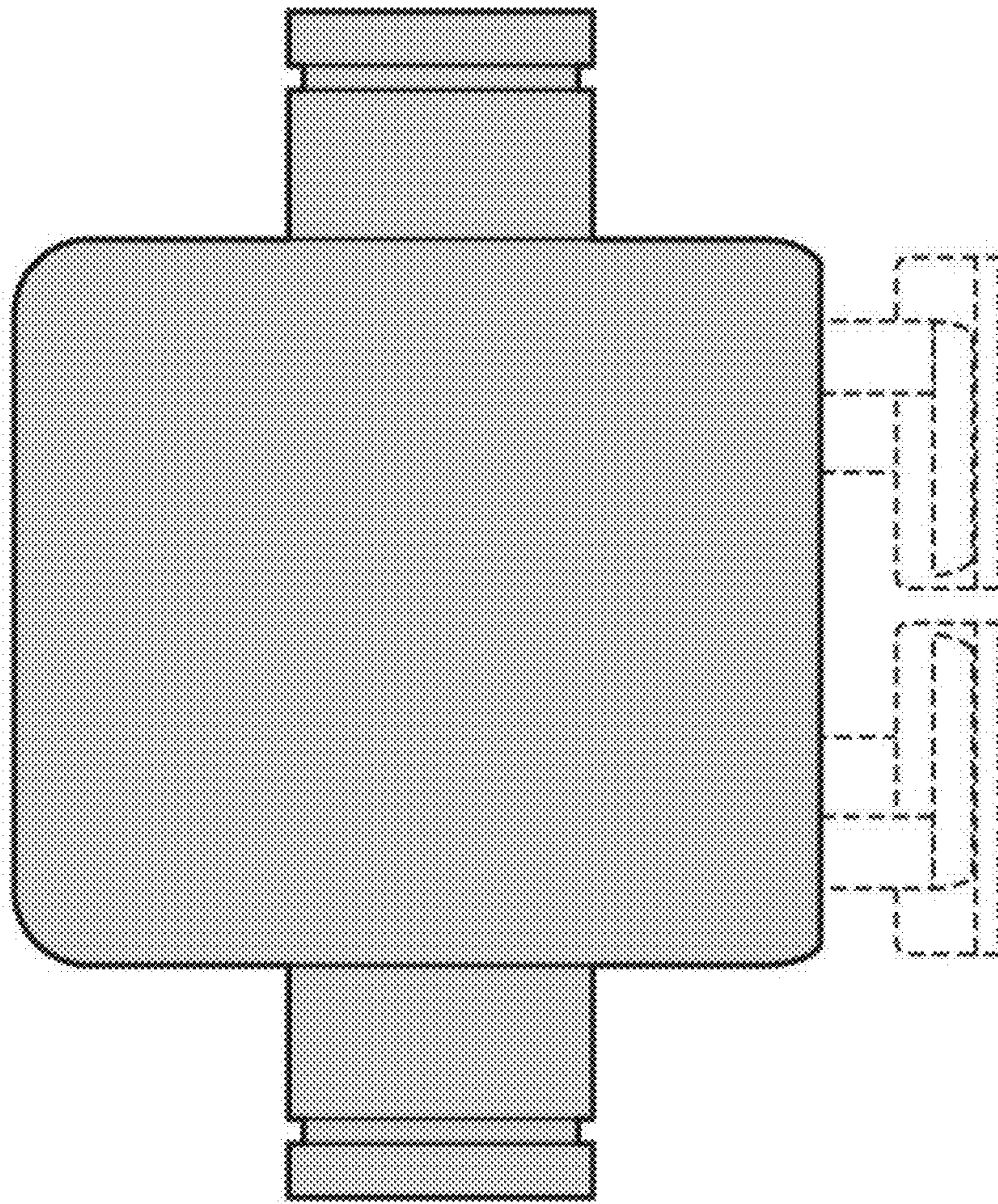
2.2



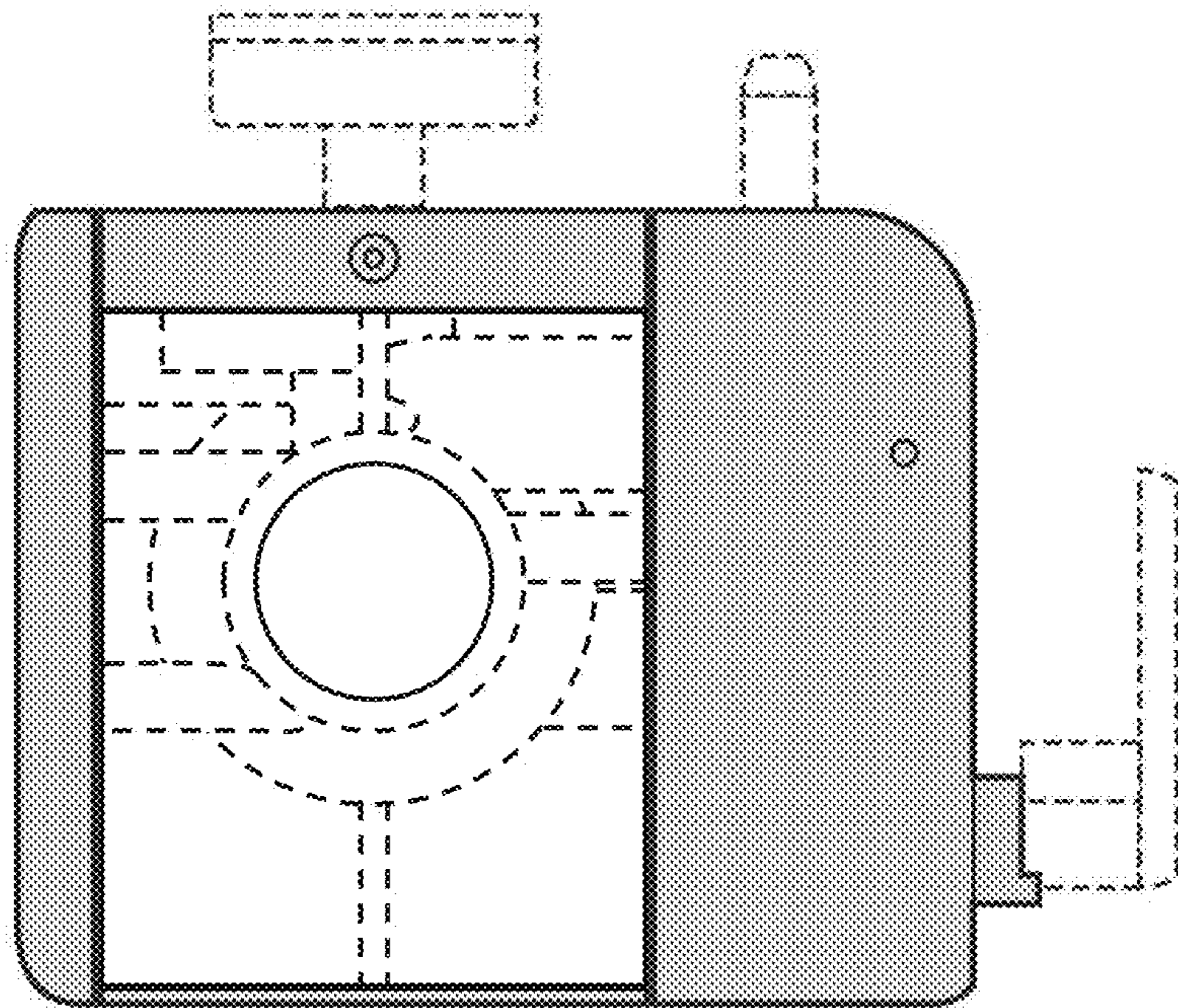
2.3



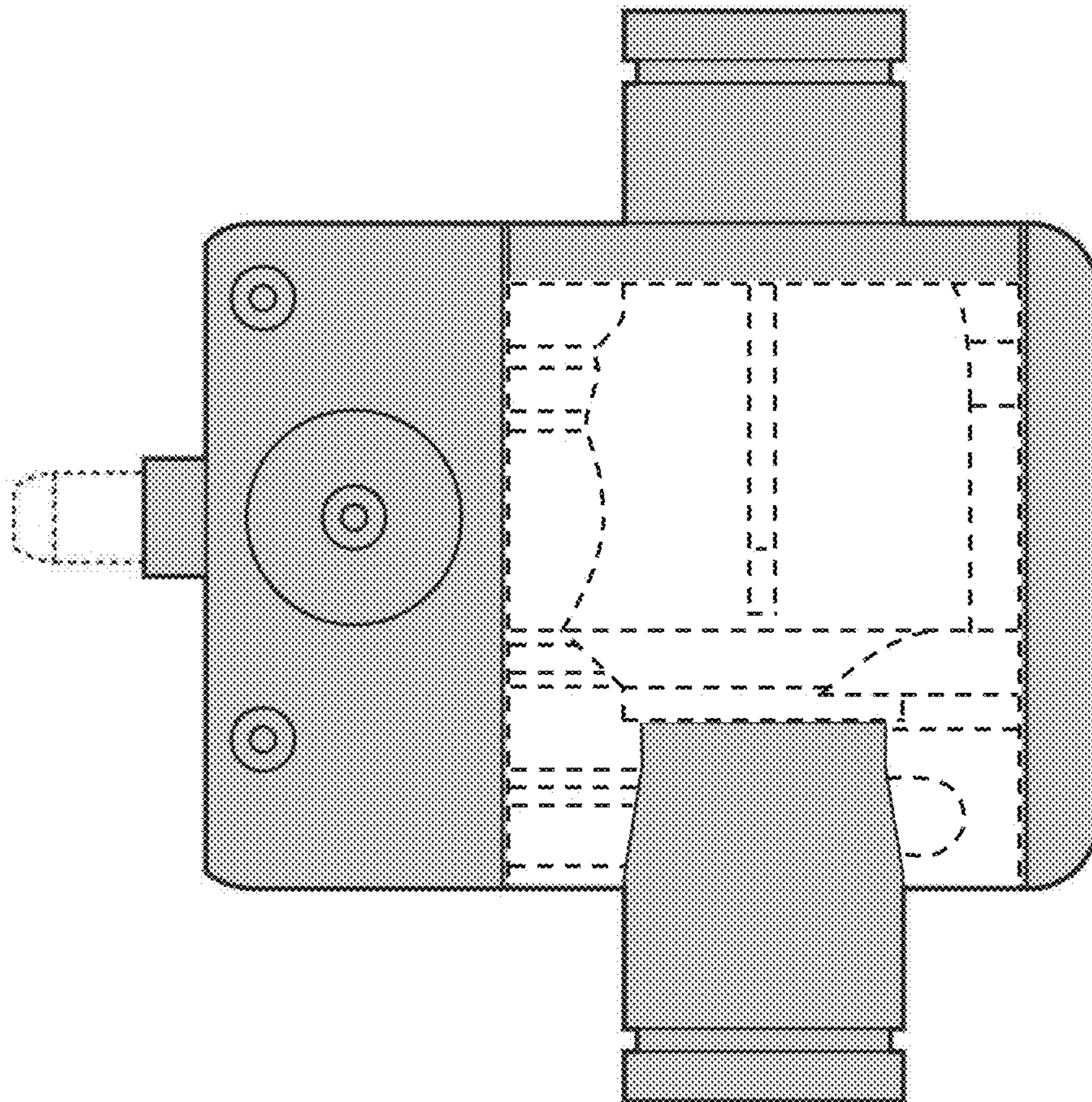
2.4



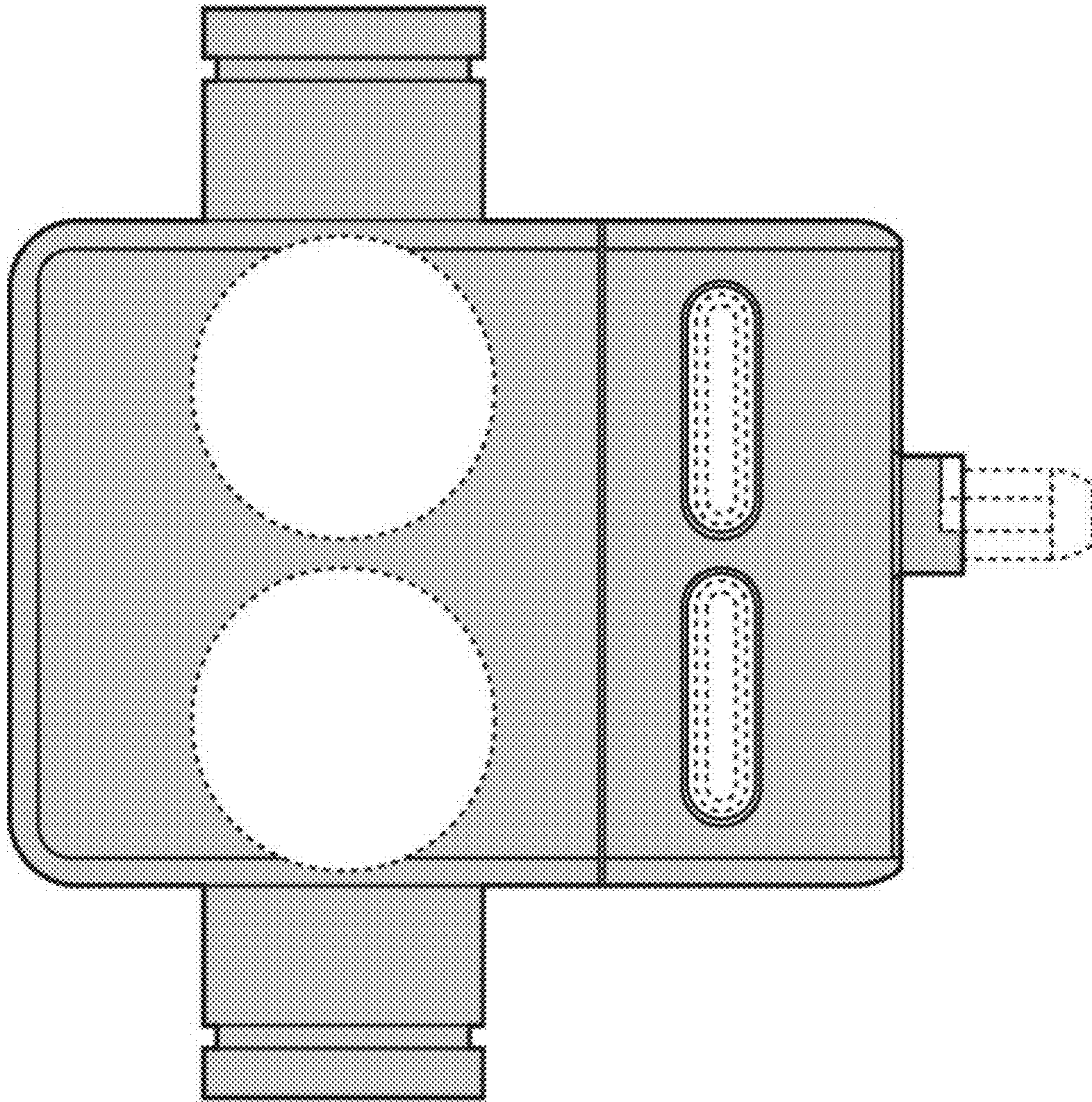
2.5



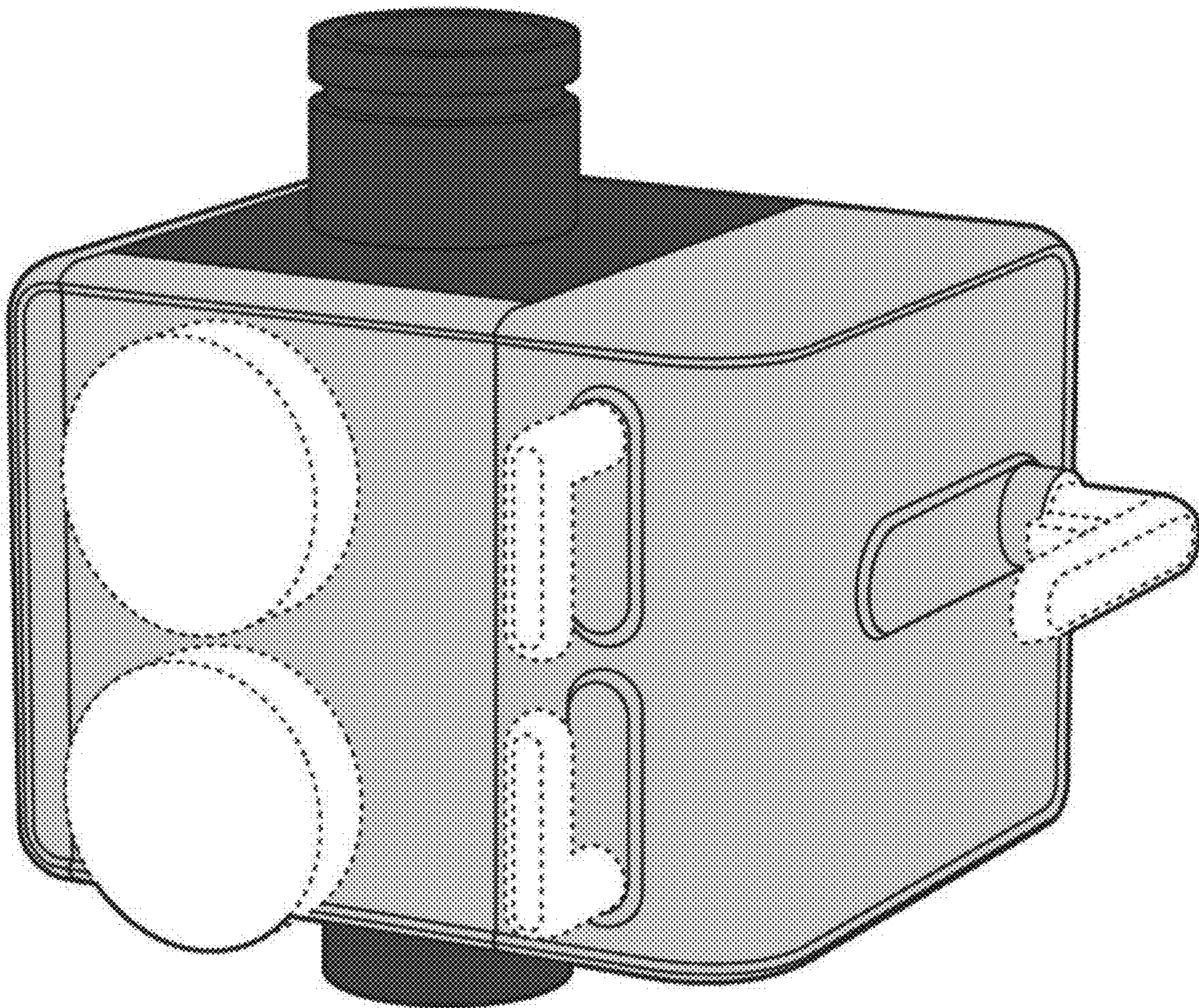
2.6



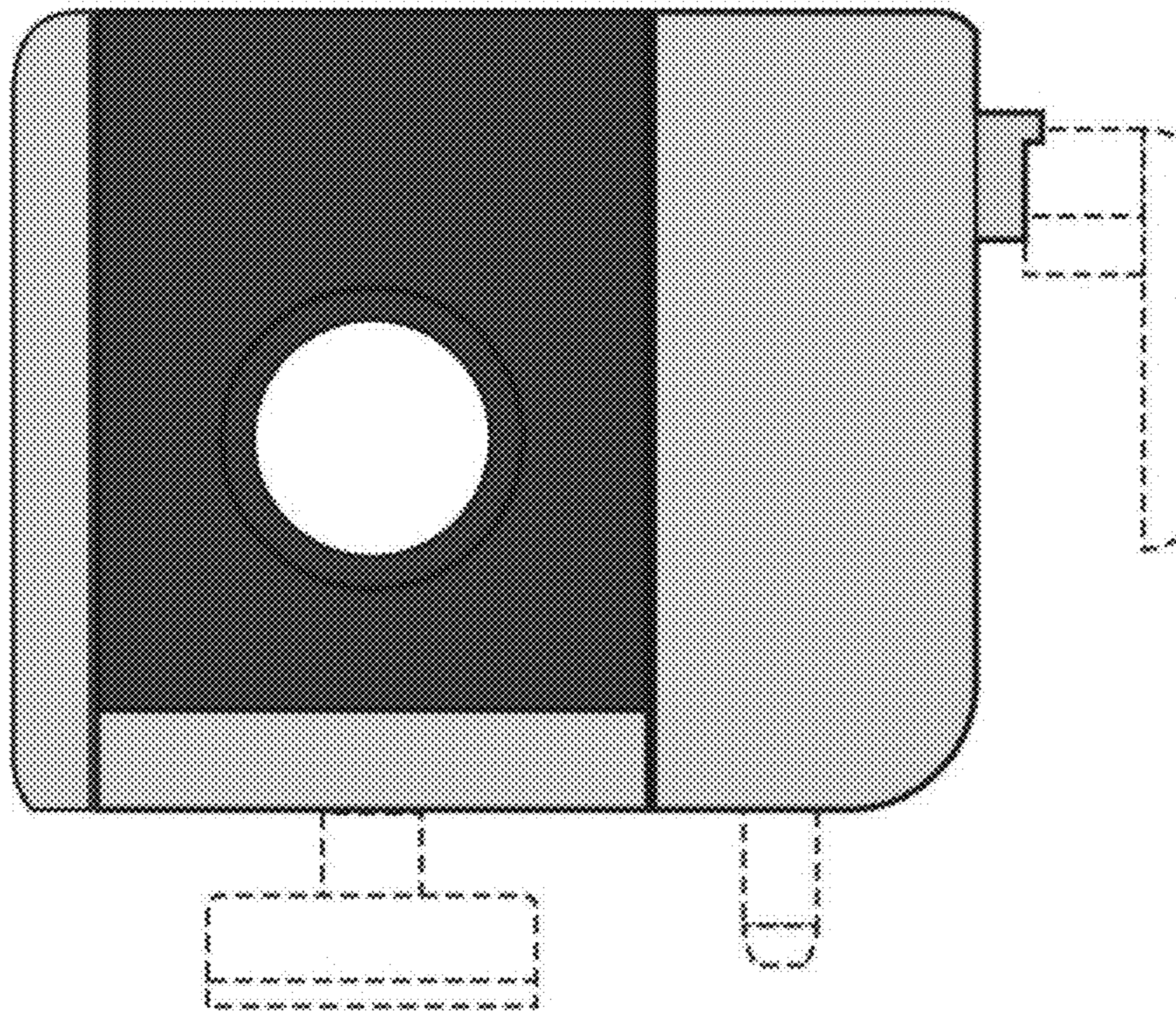
2.7



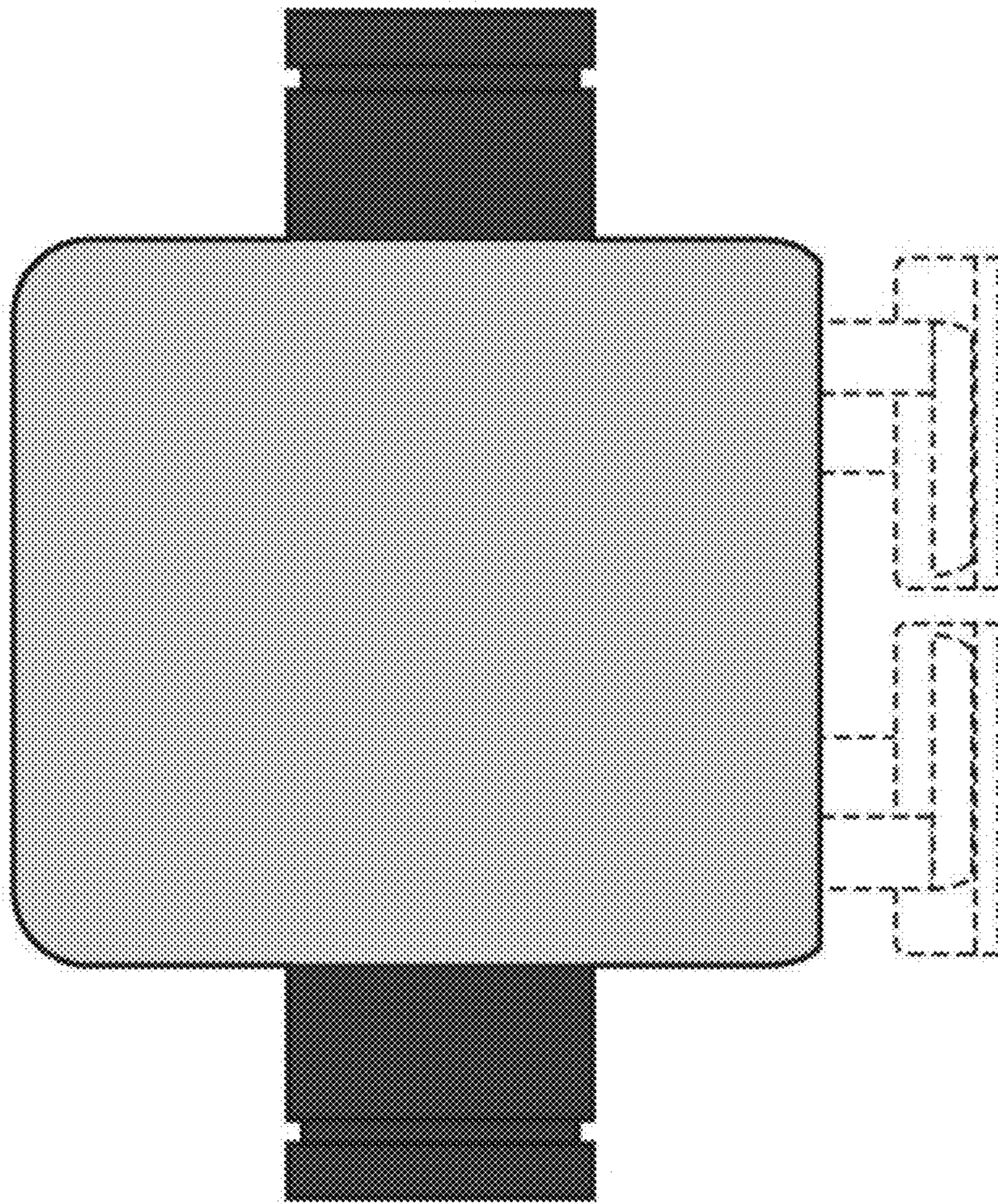
3.1



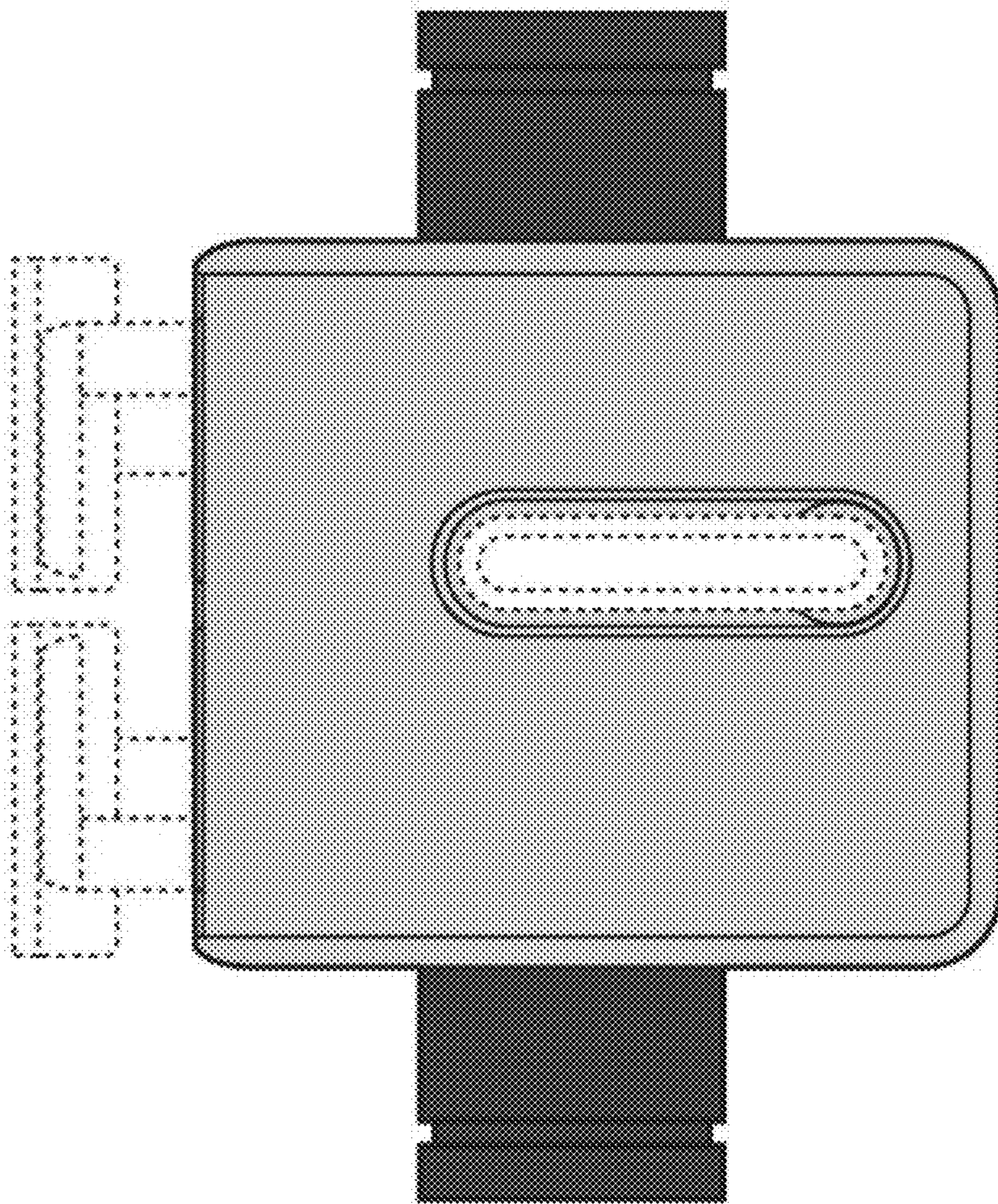
3.2



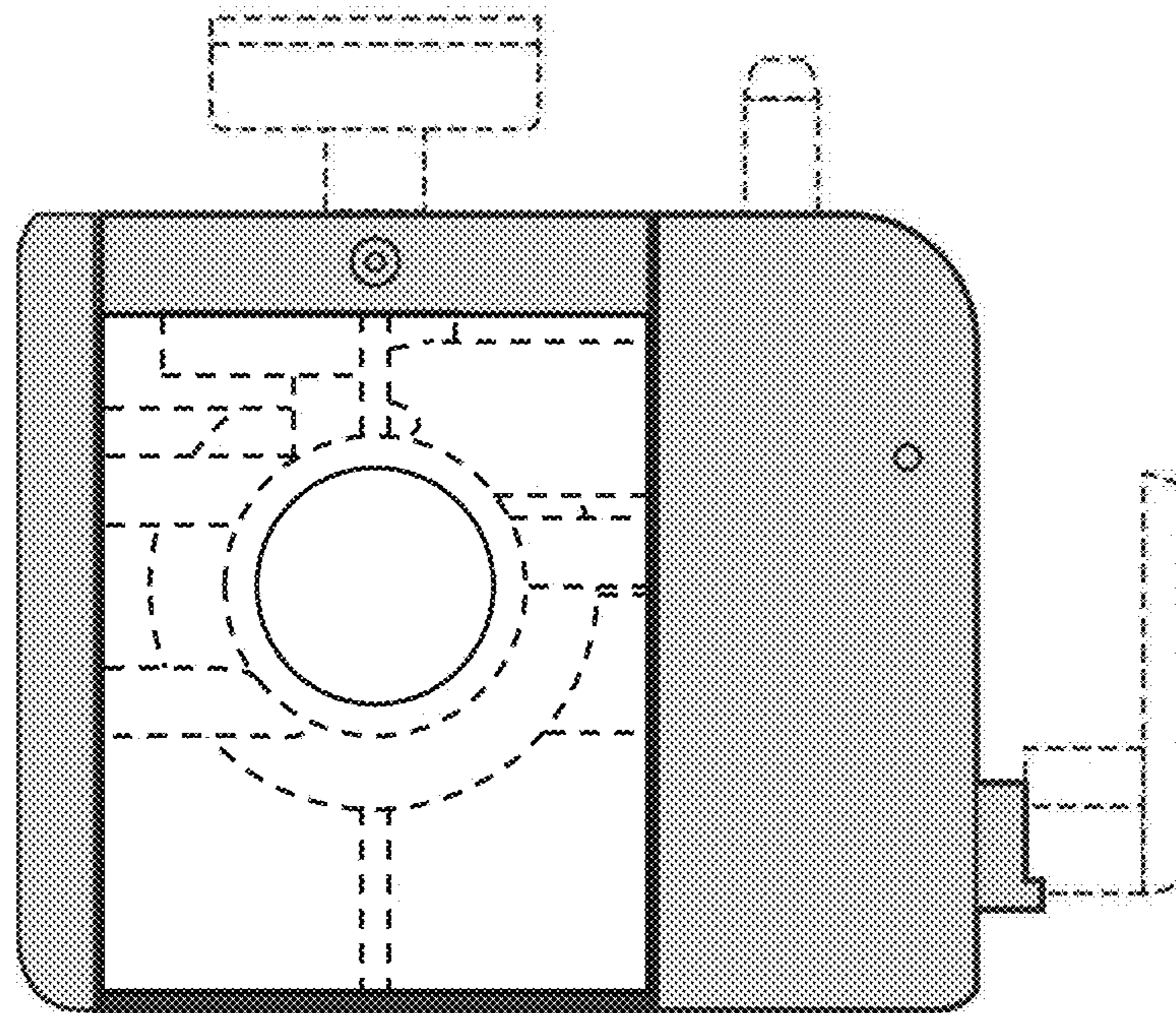
3.3



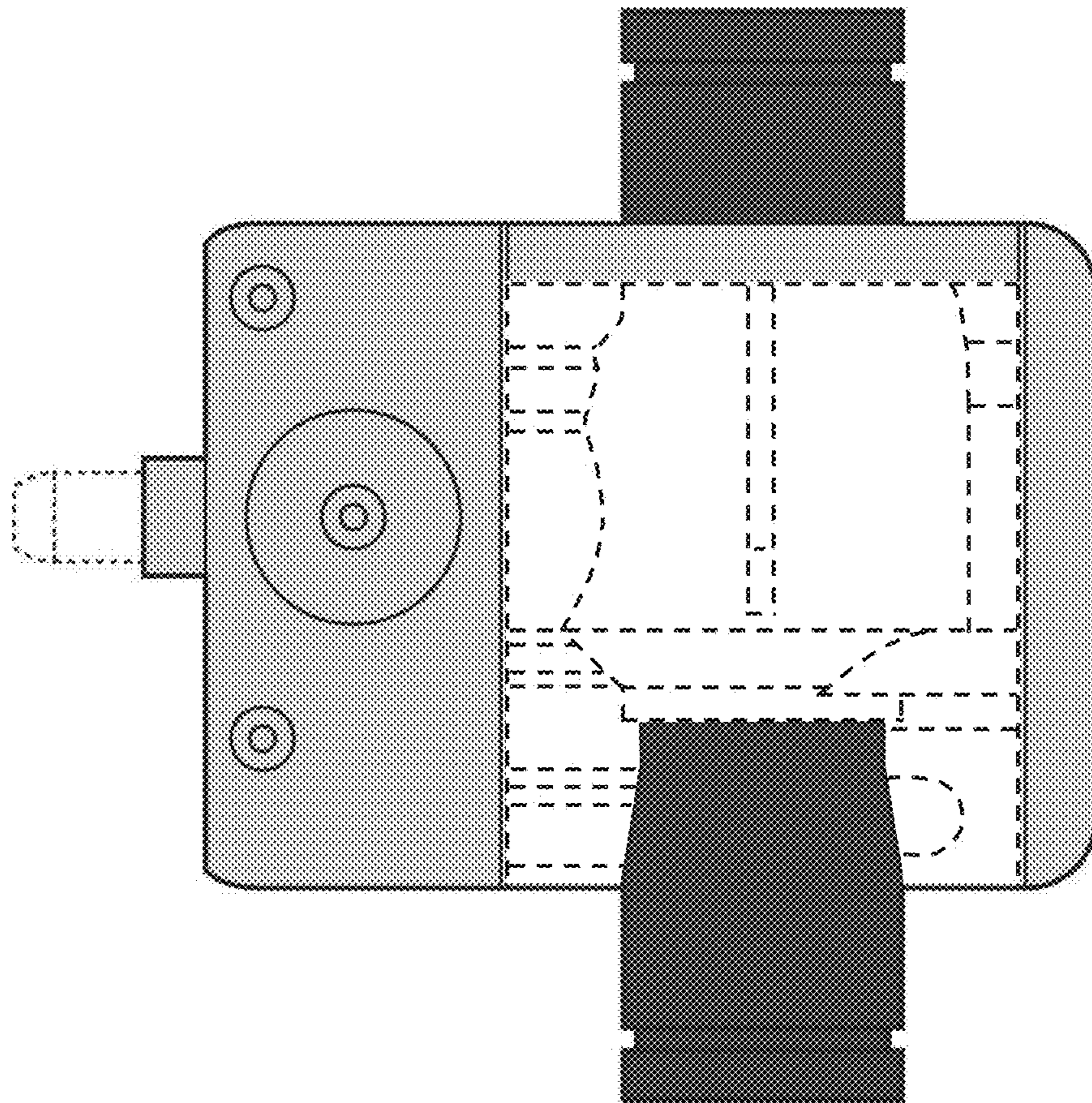
3.4



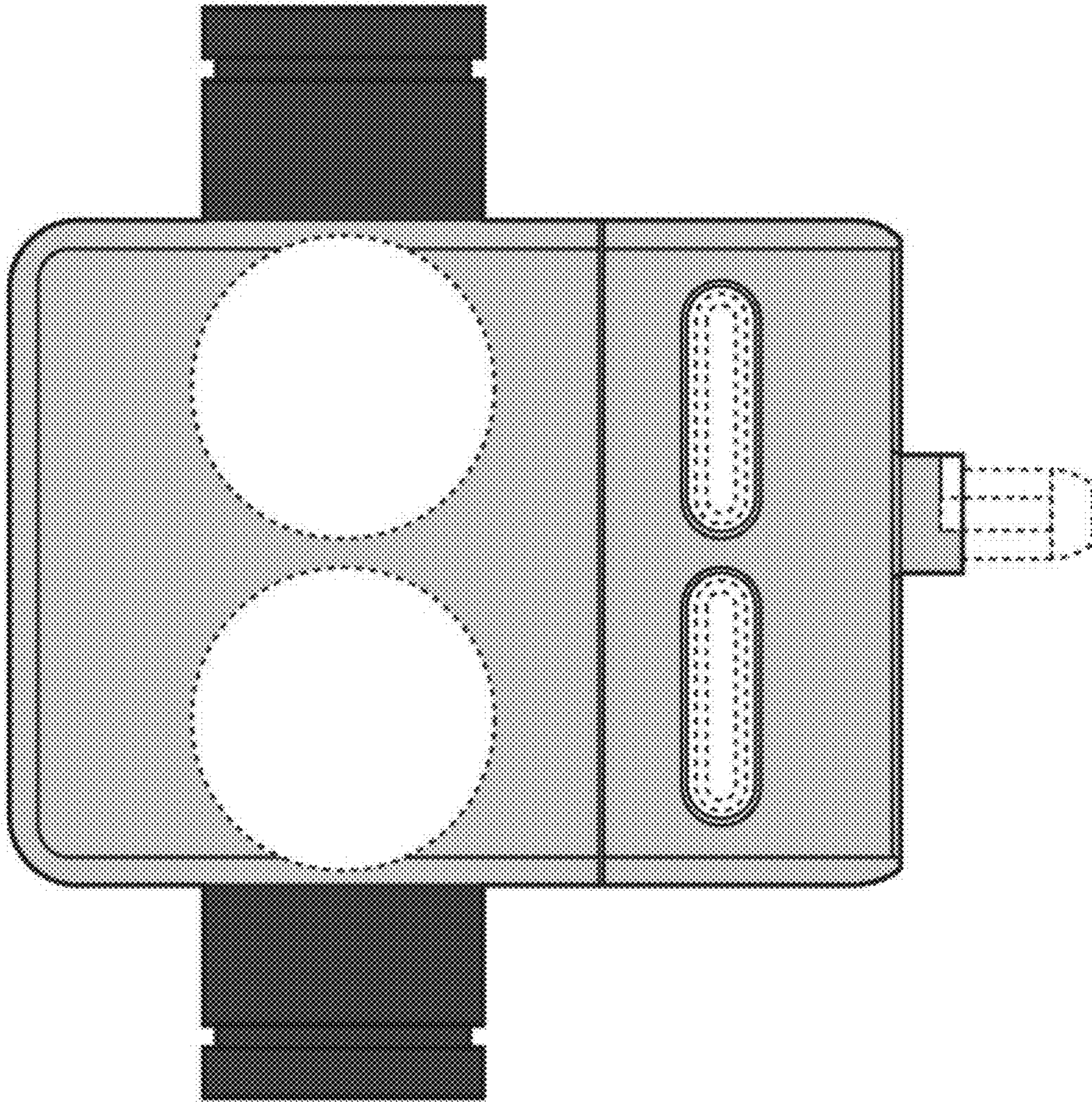
3.5



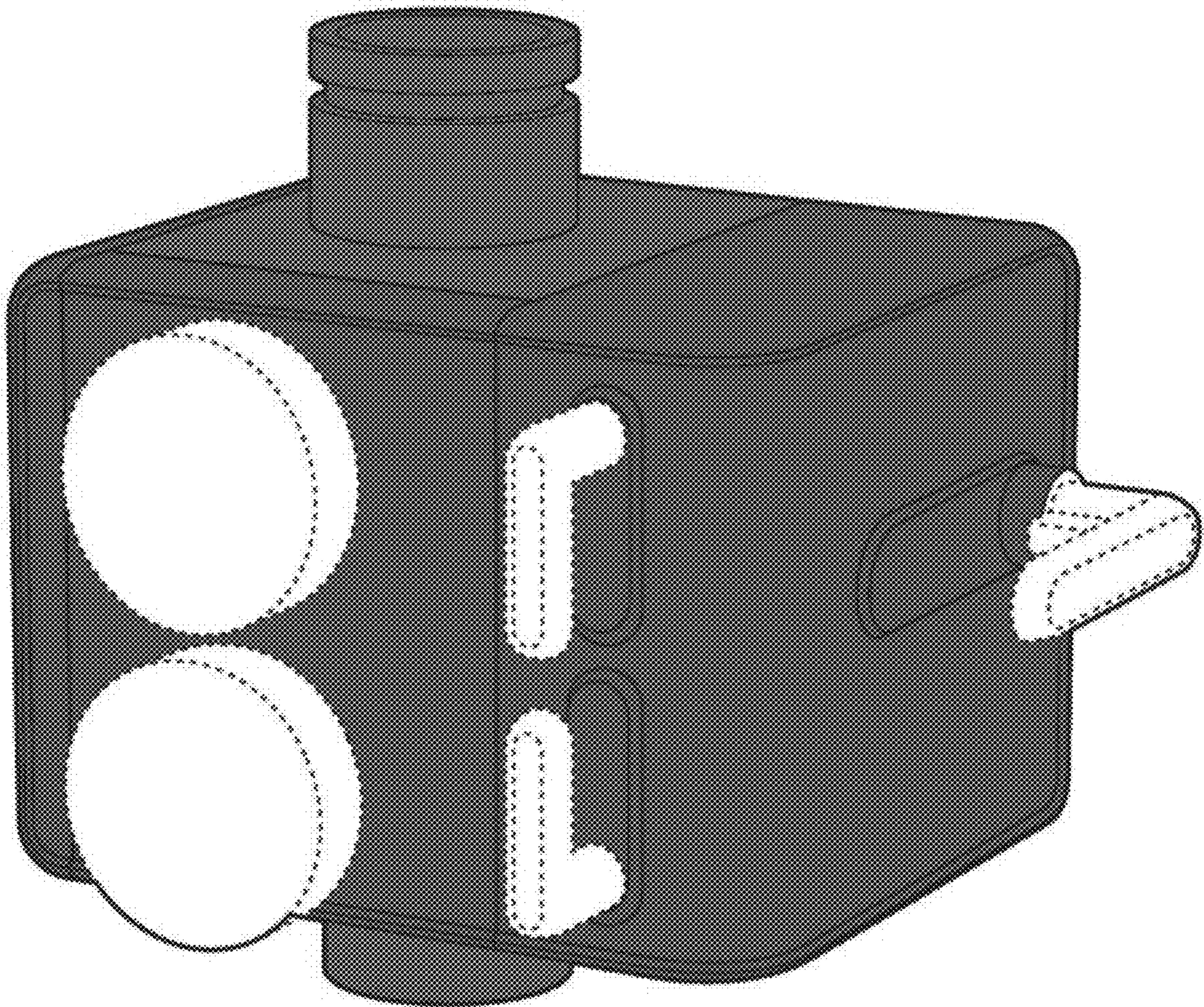
3.6



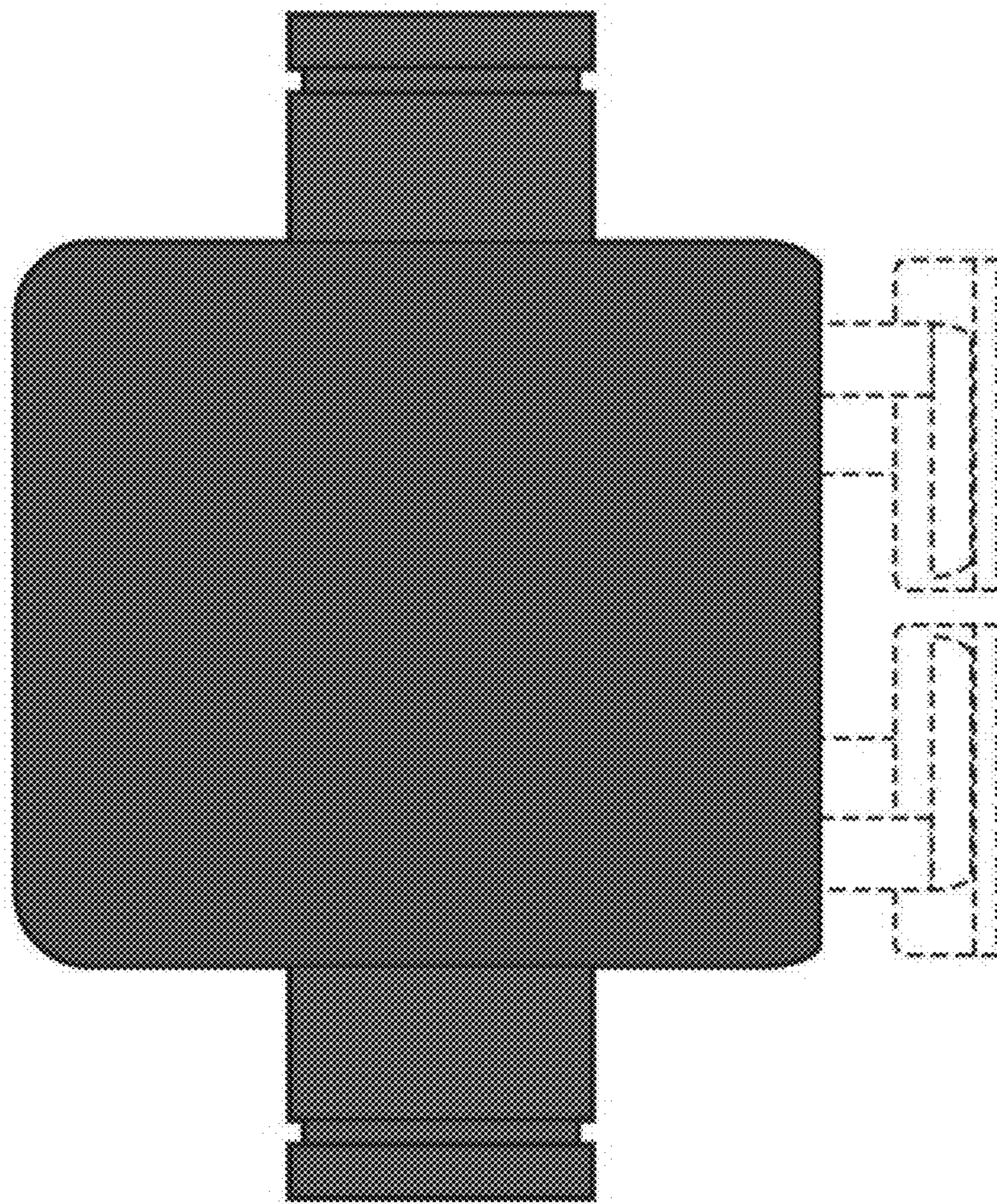
3.7



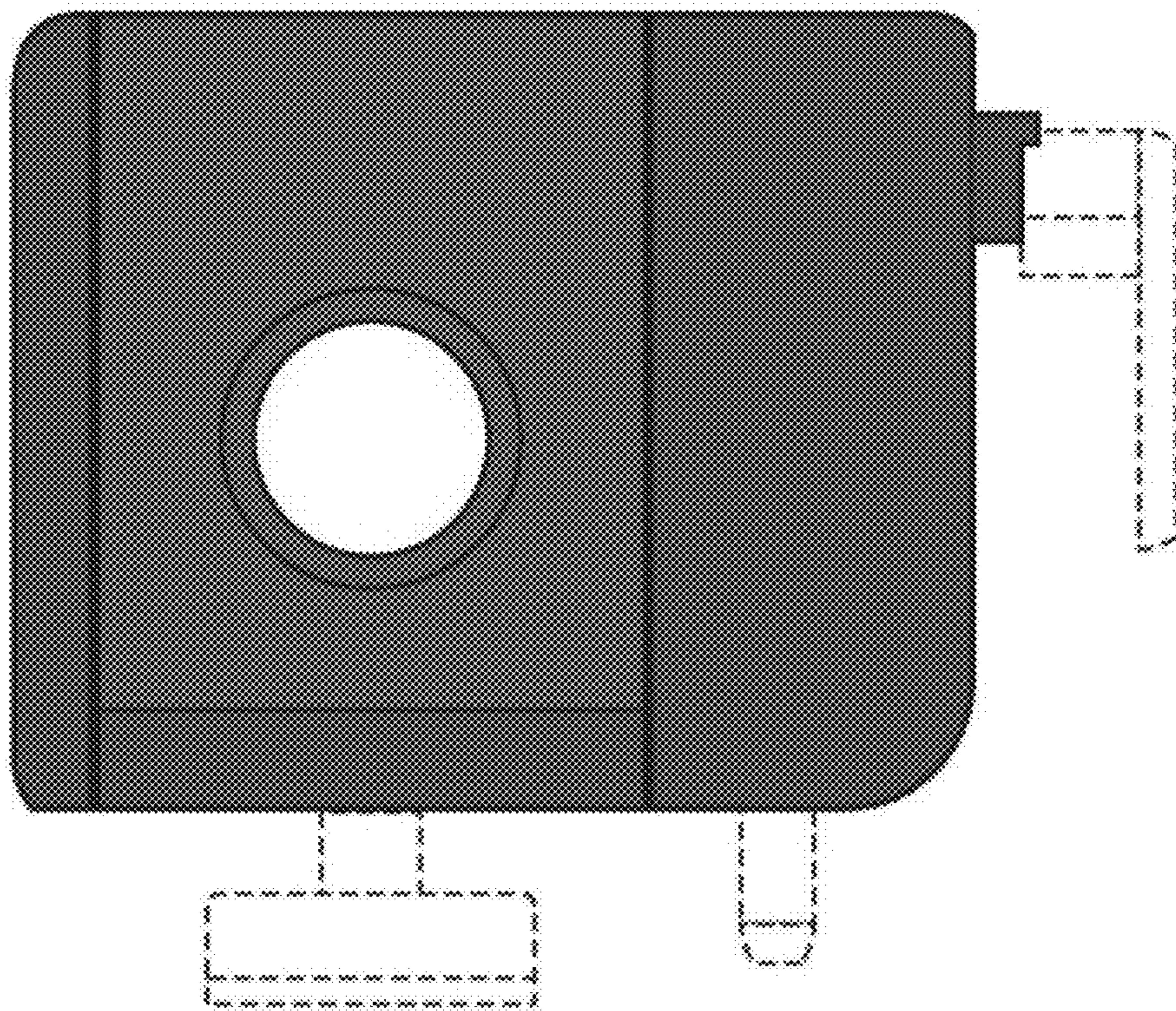
4.1



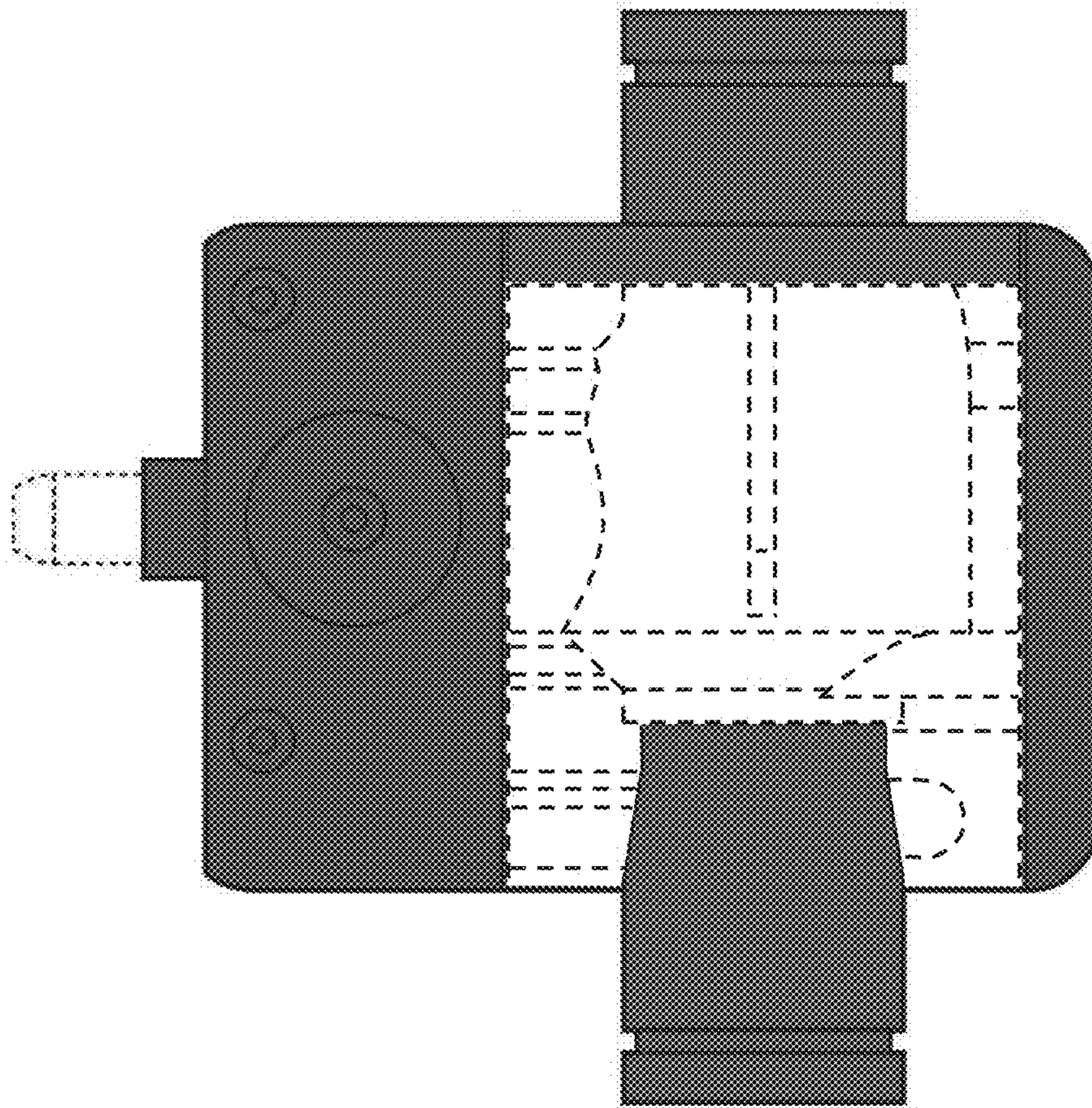
4.2



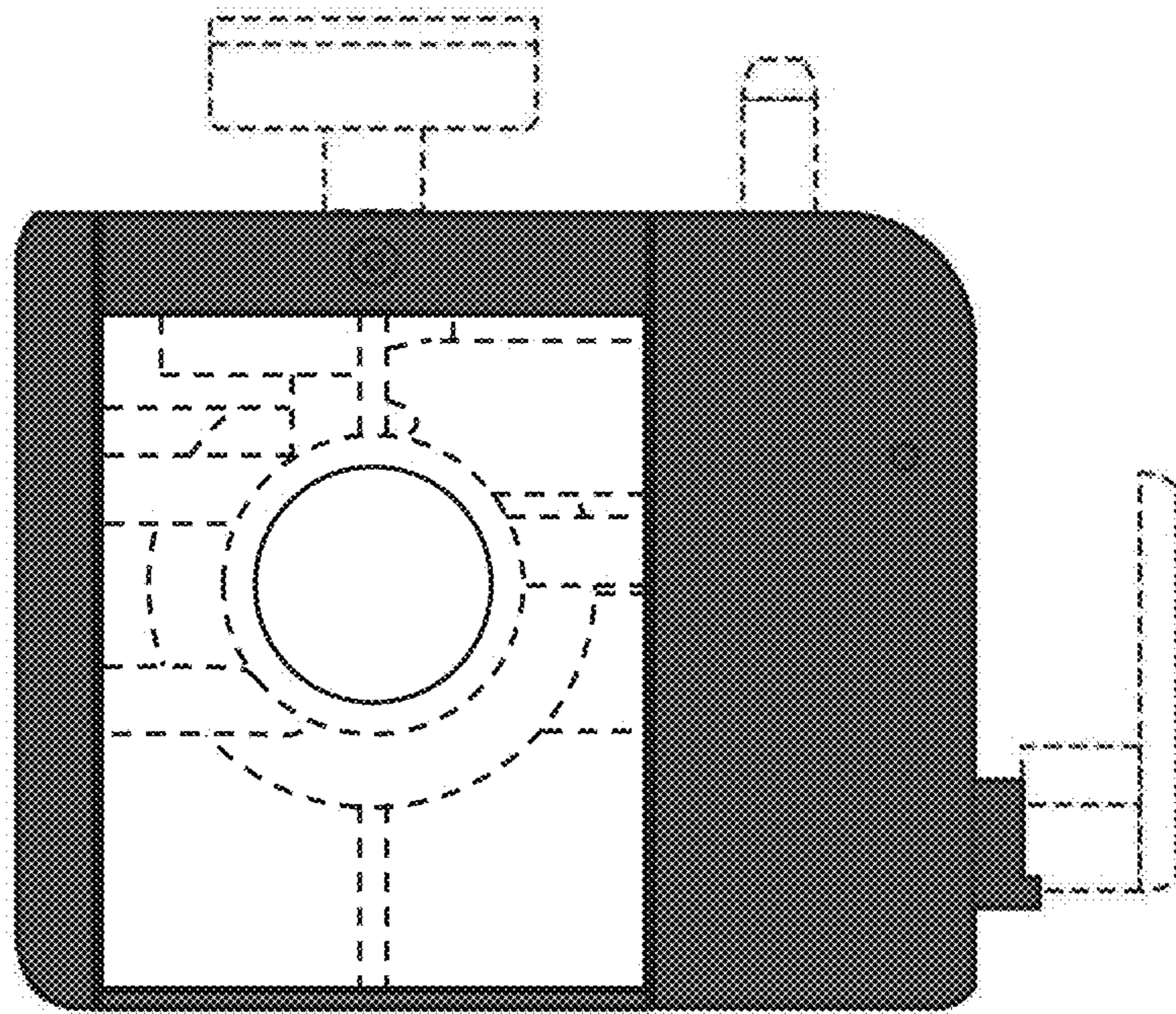
4.3



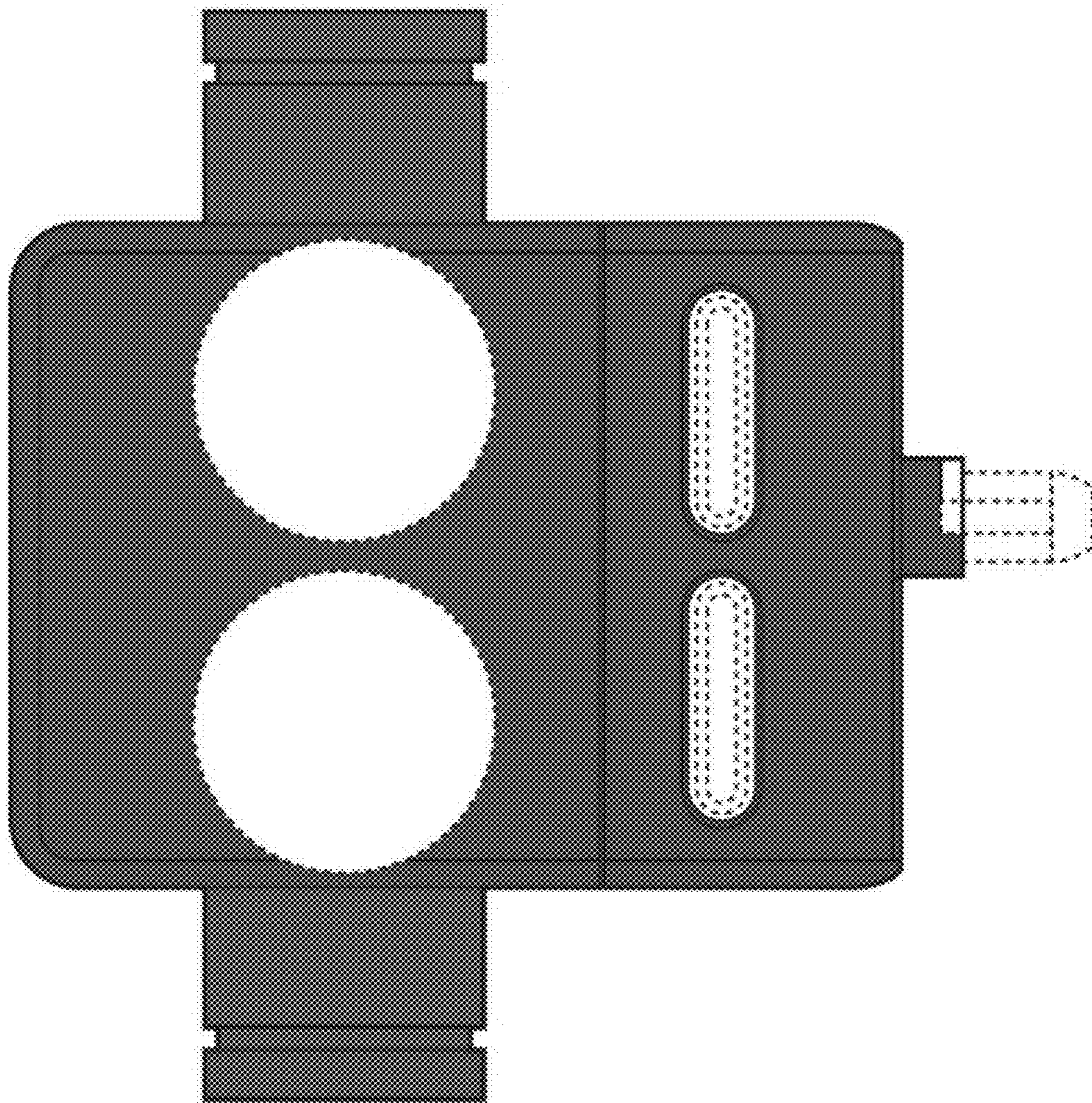
4.4



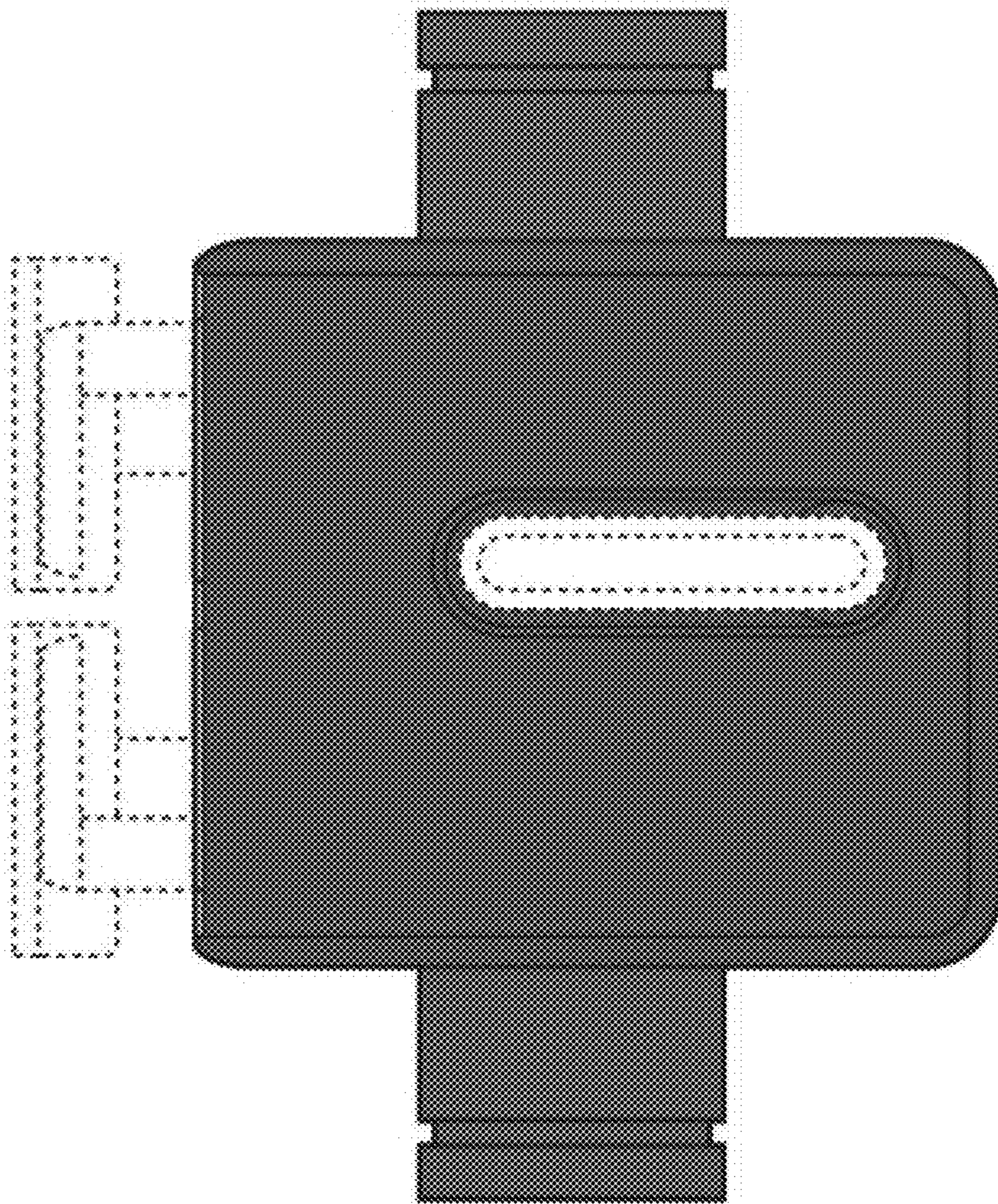
4.5



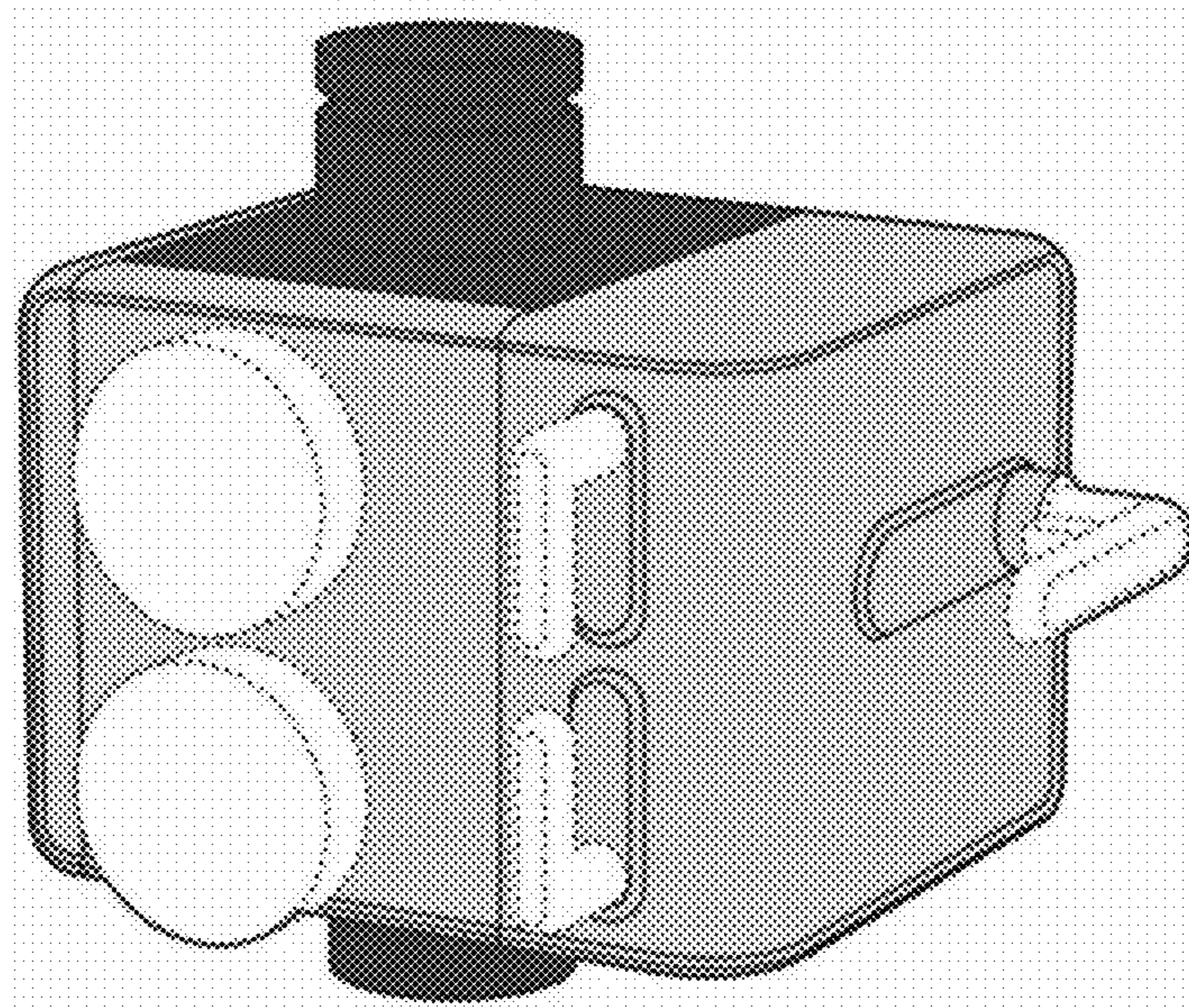
4.6



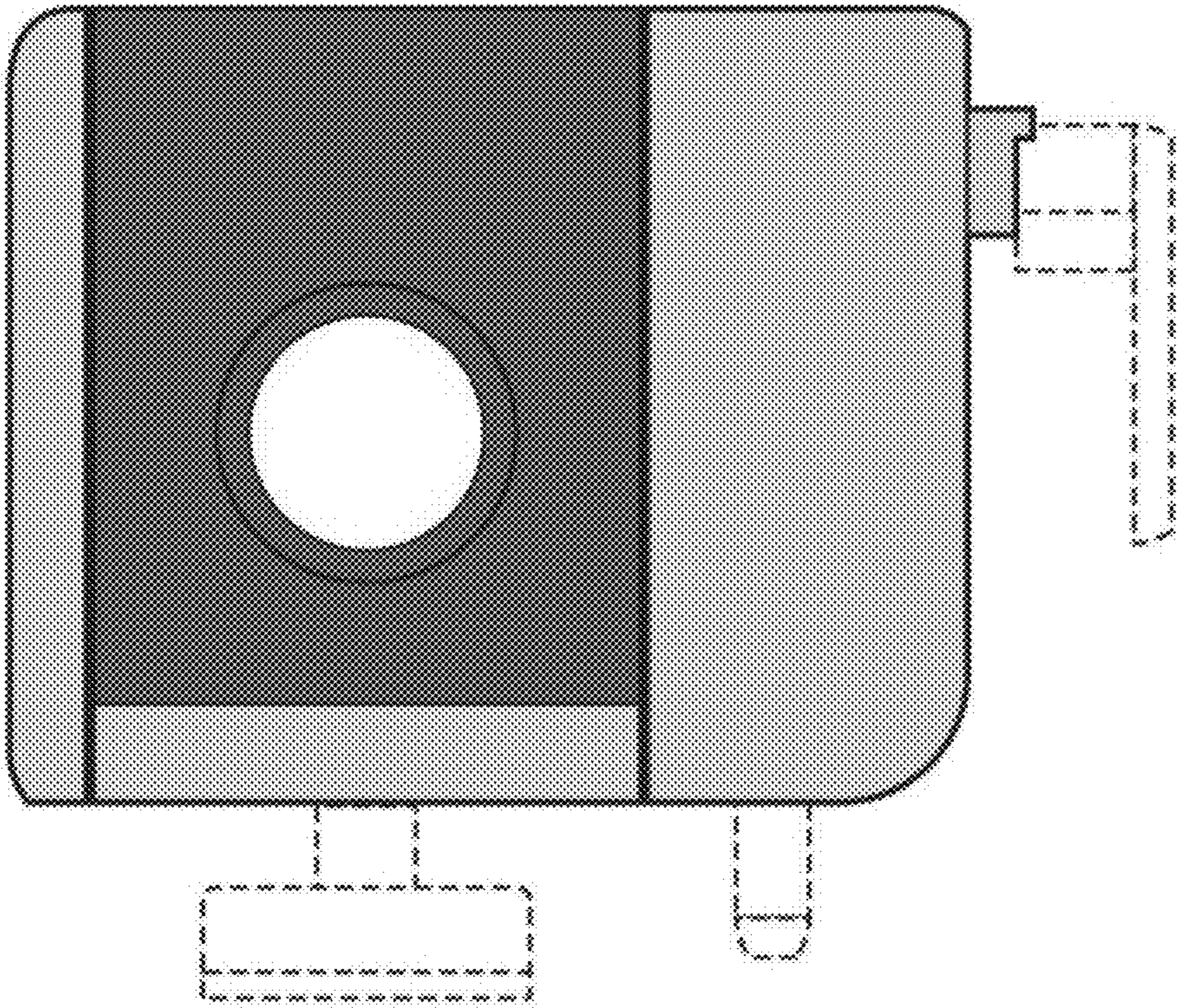
4.7



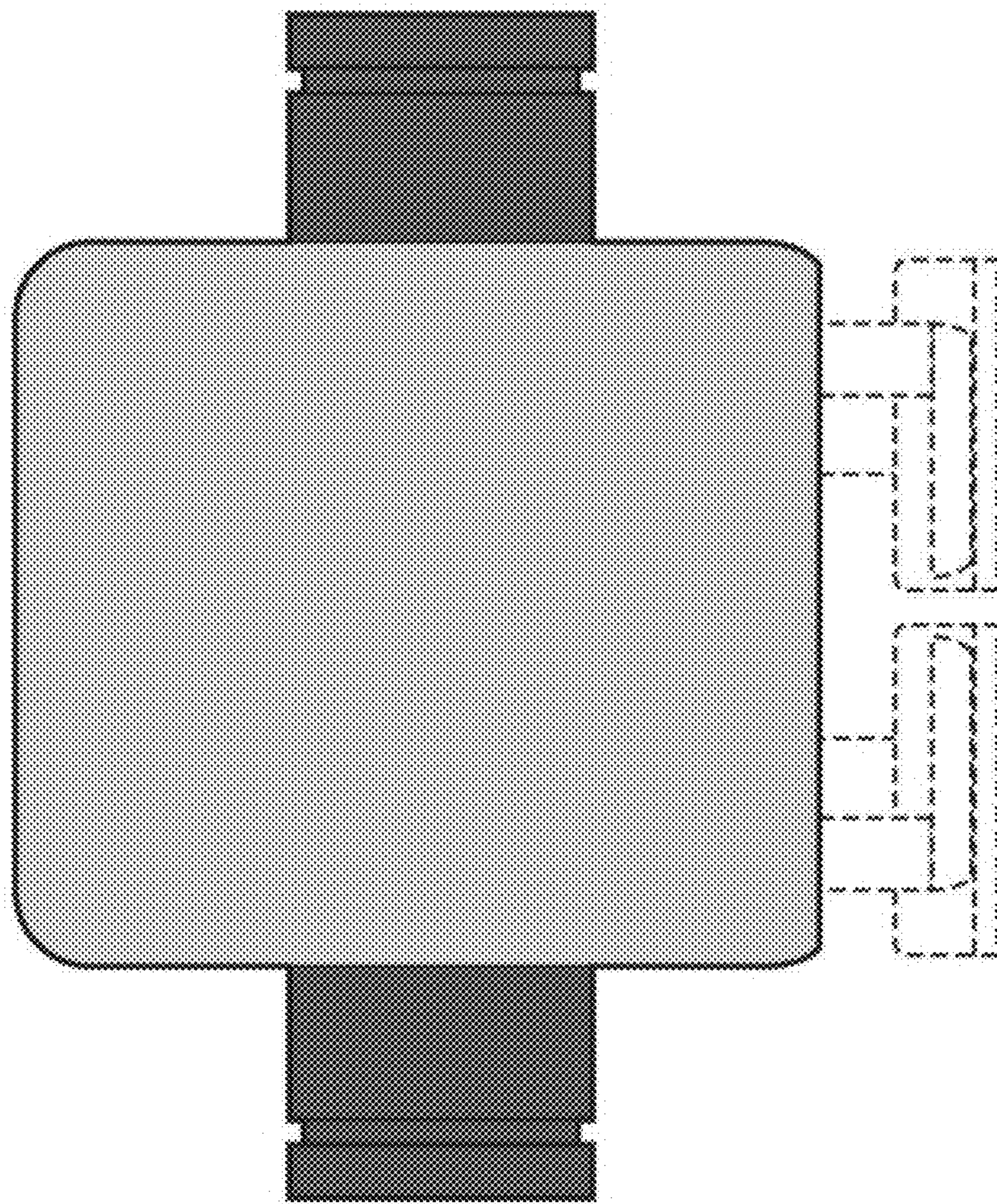
5.1



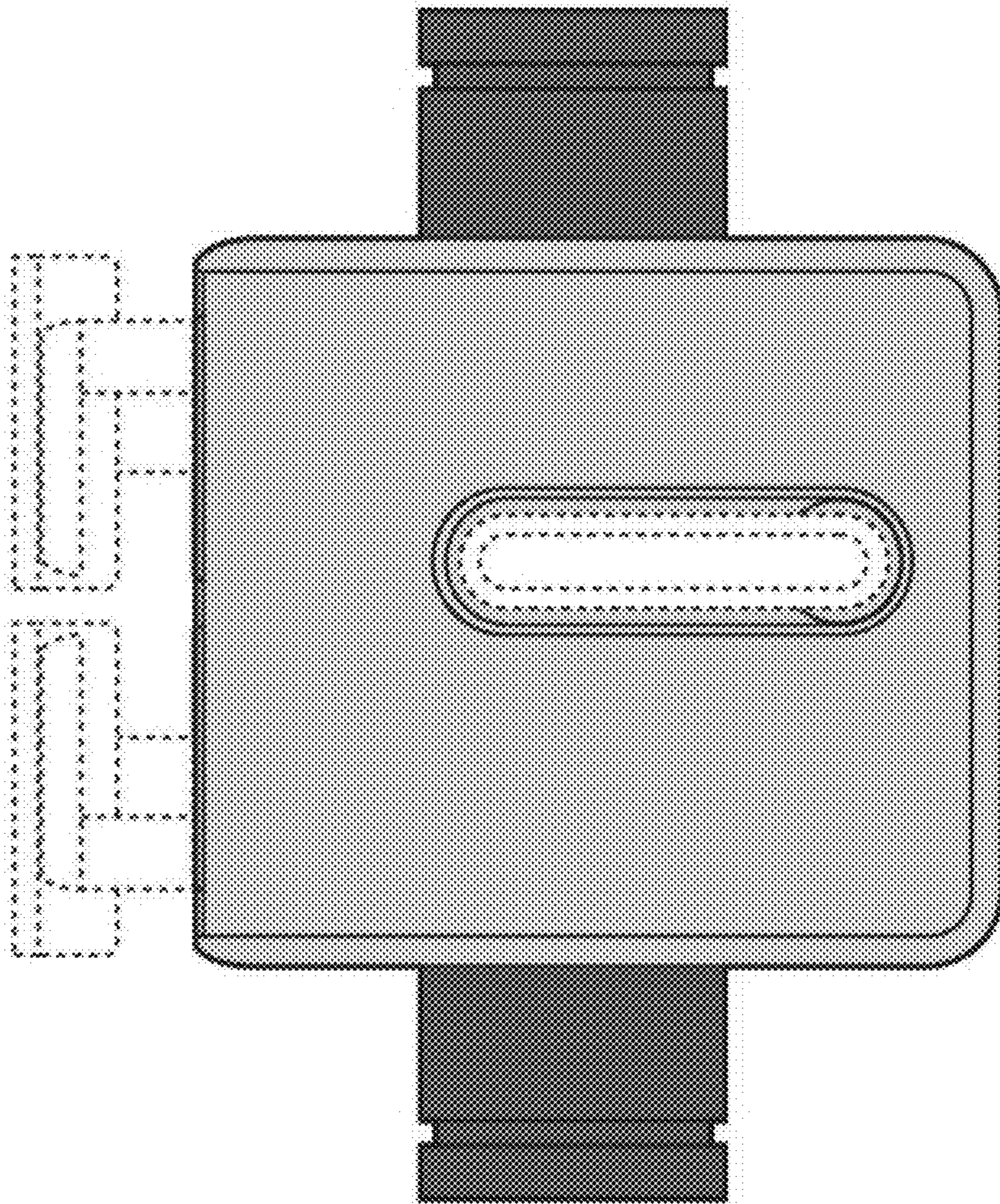
5.2



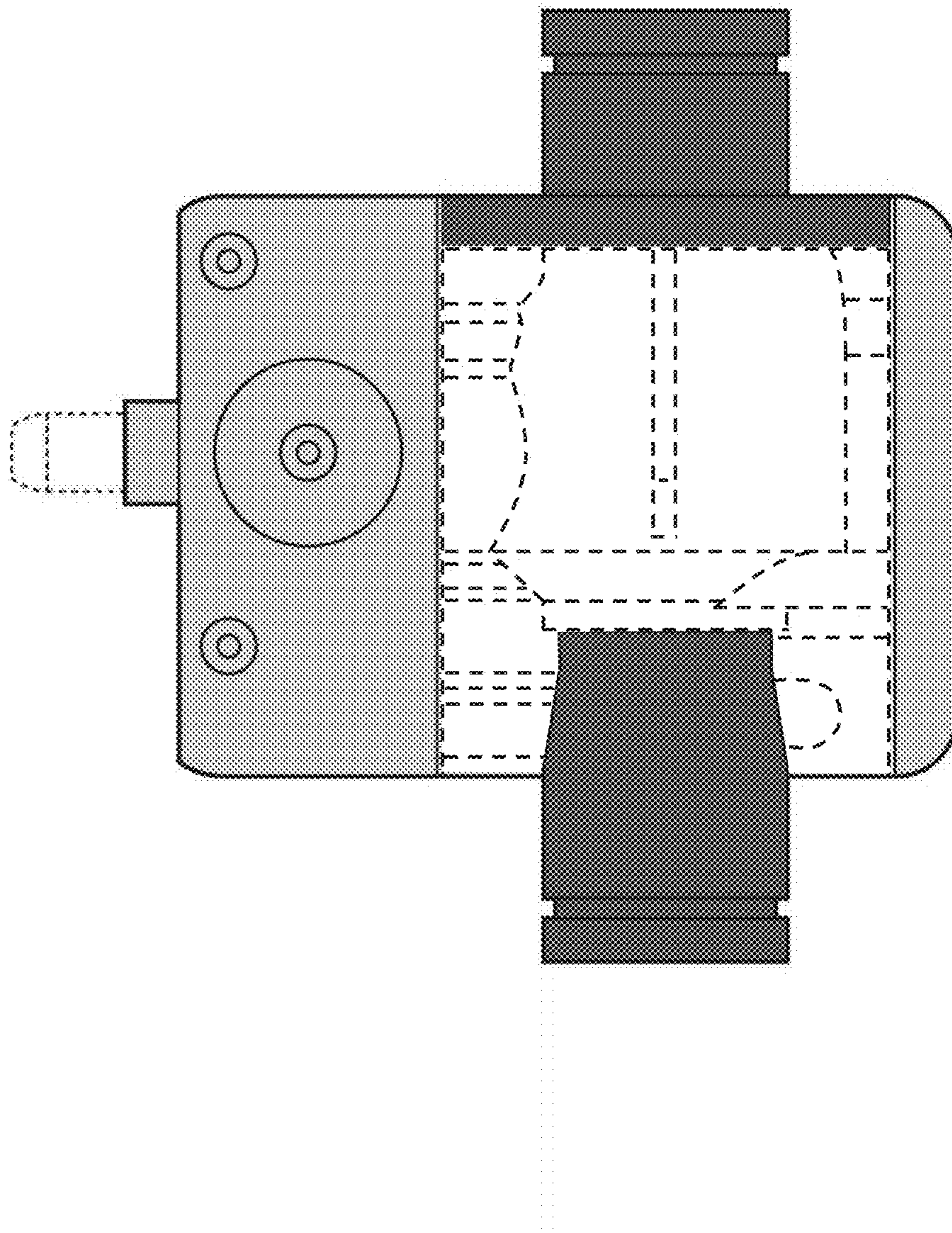
5.3



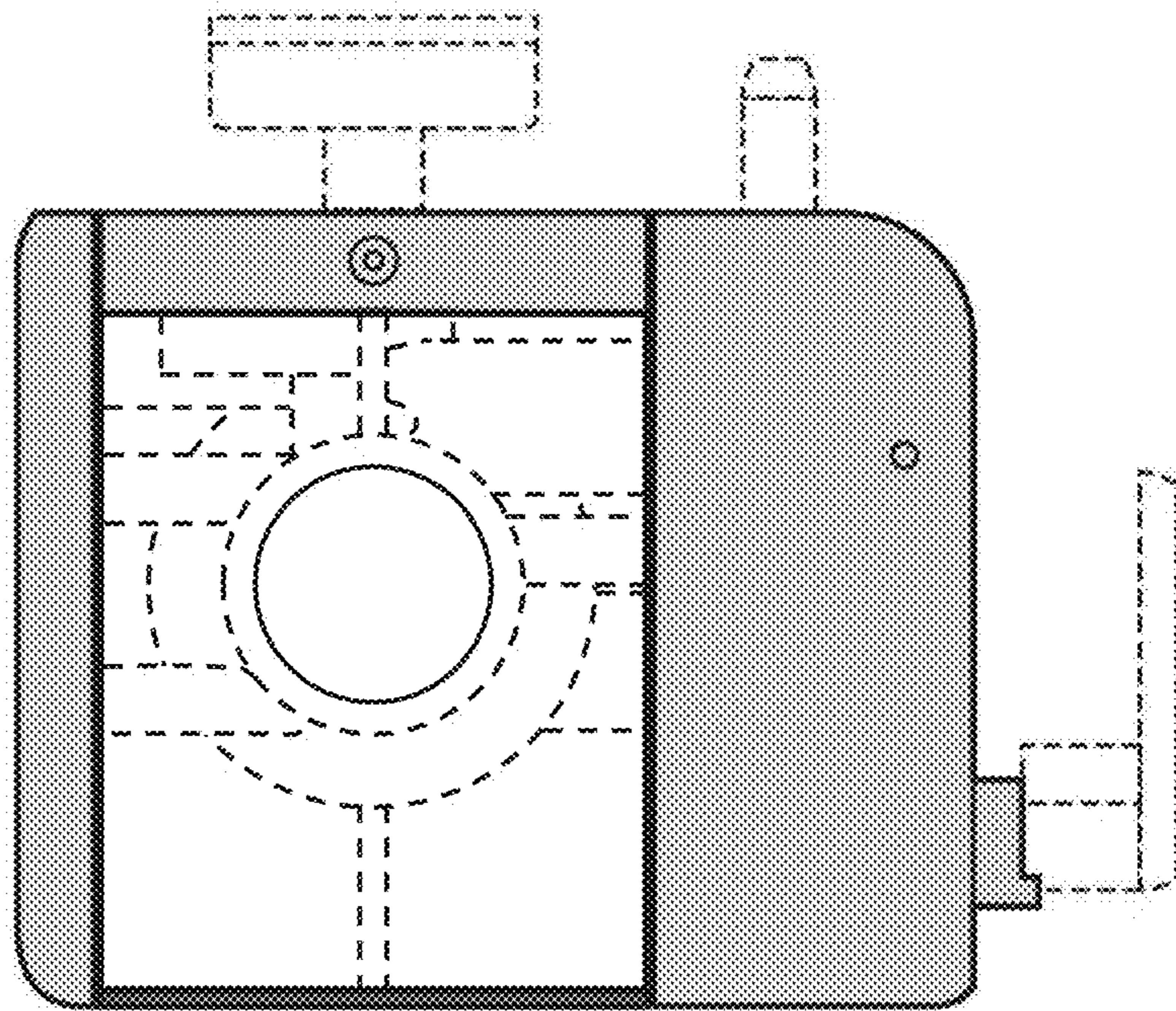
5.4



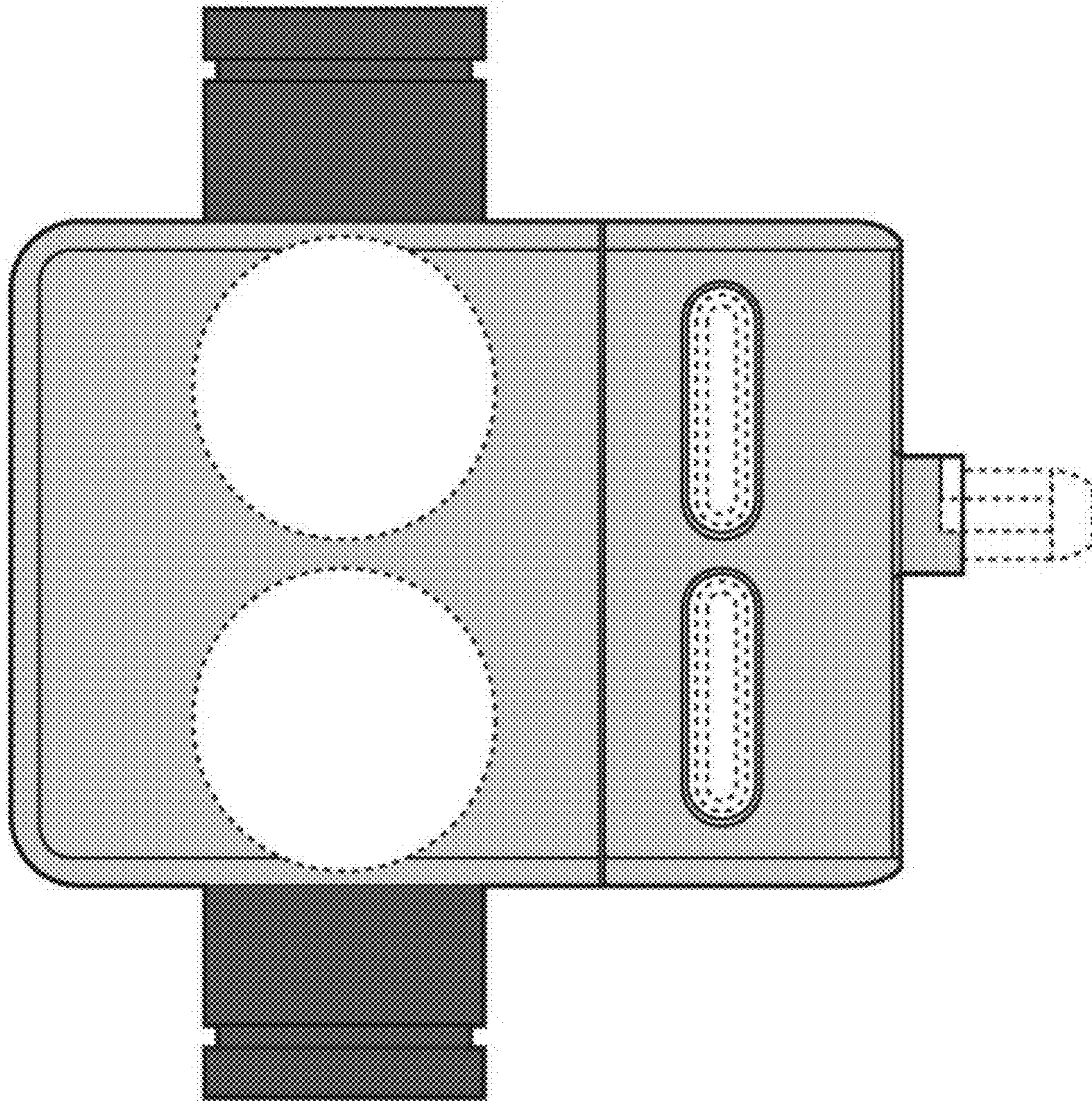
5.5



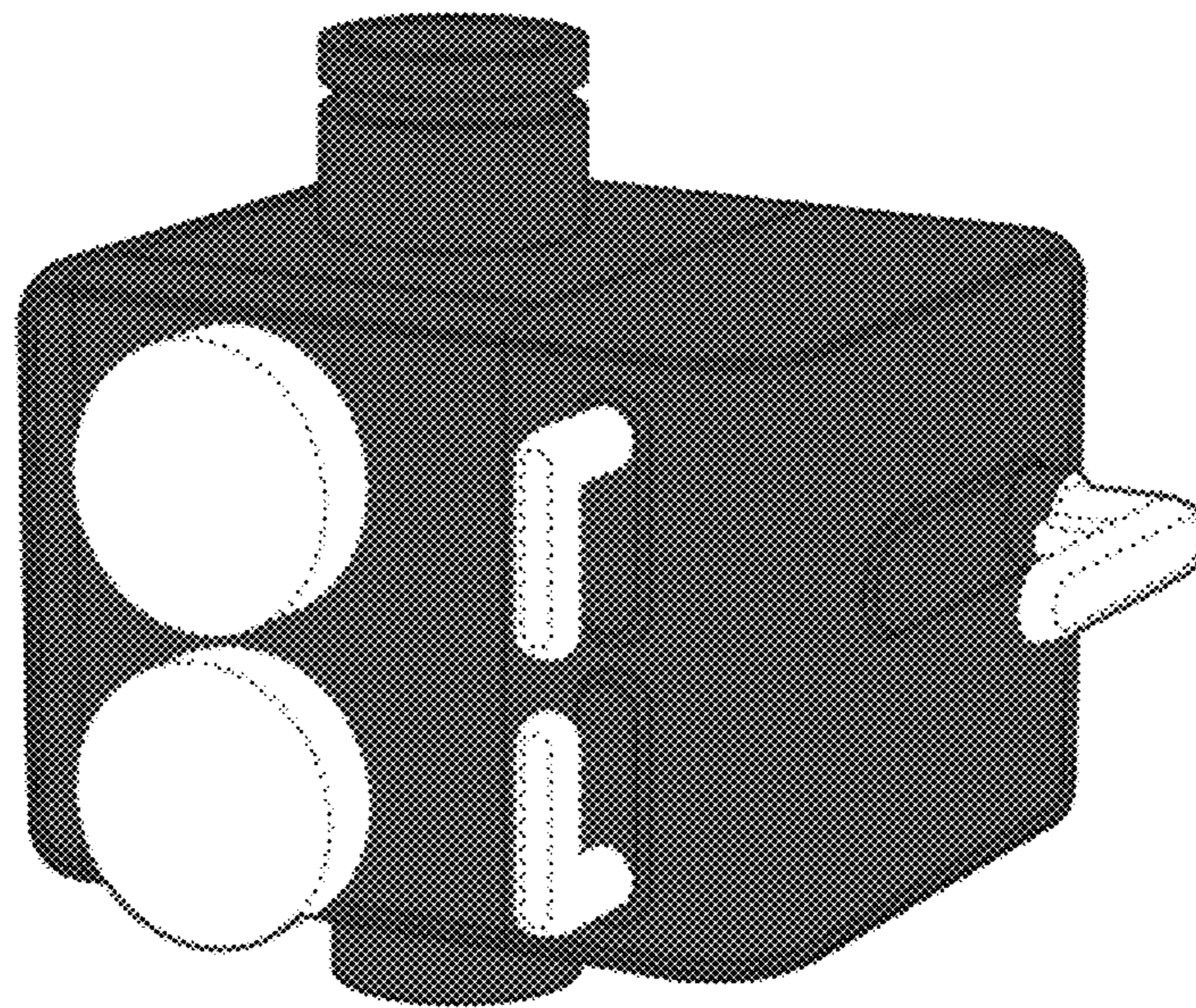
5.6



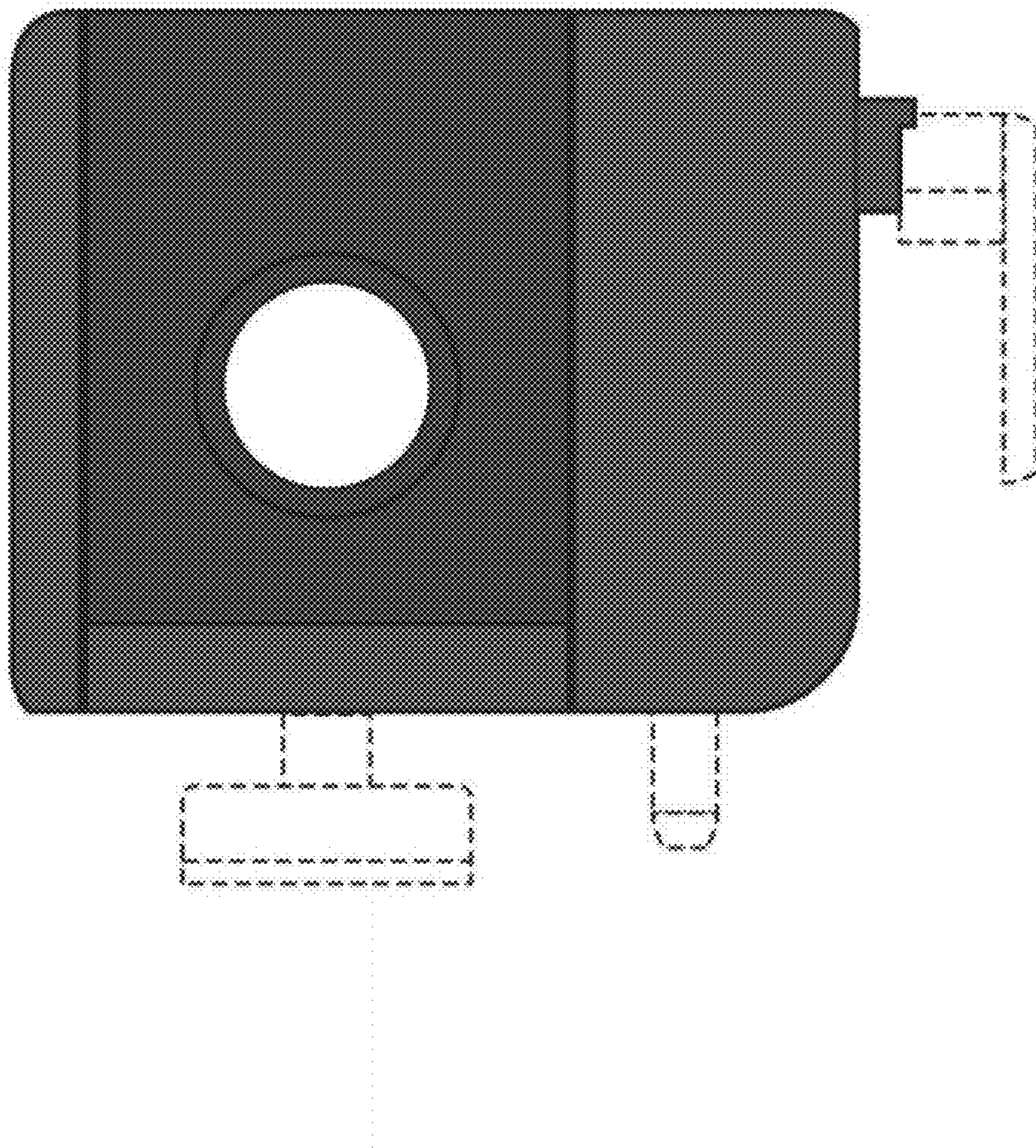
5.7



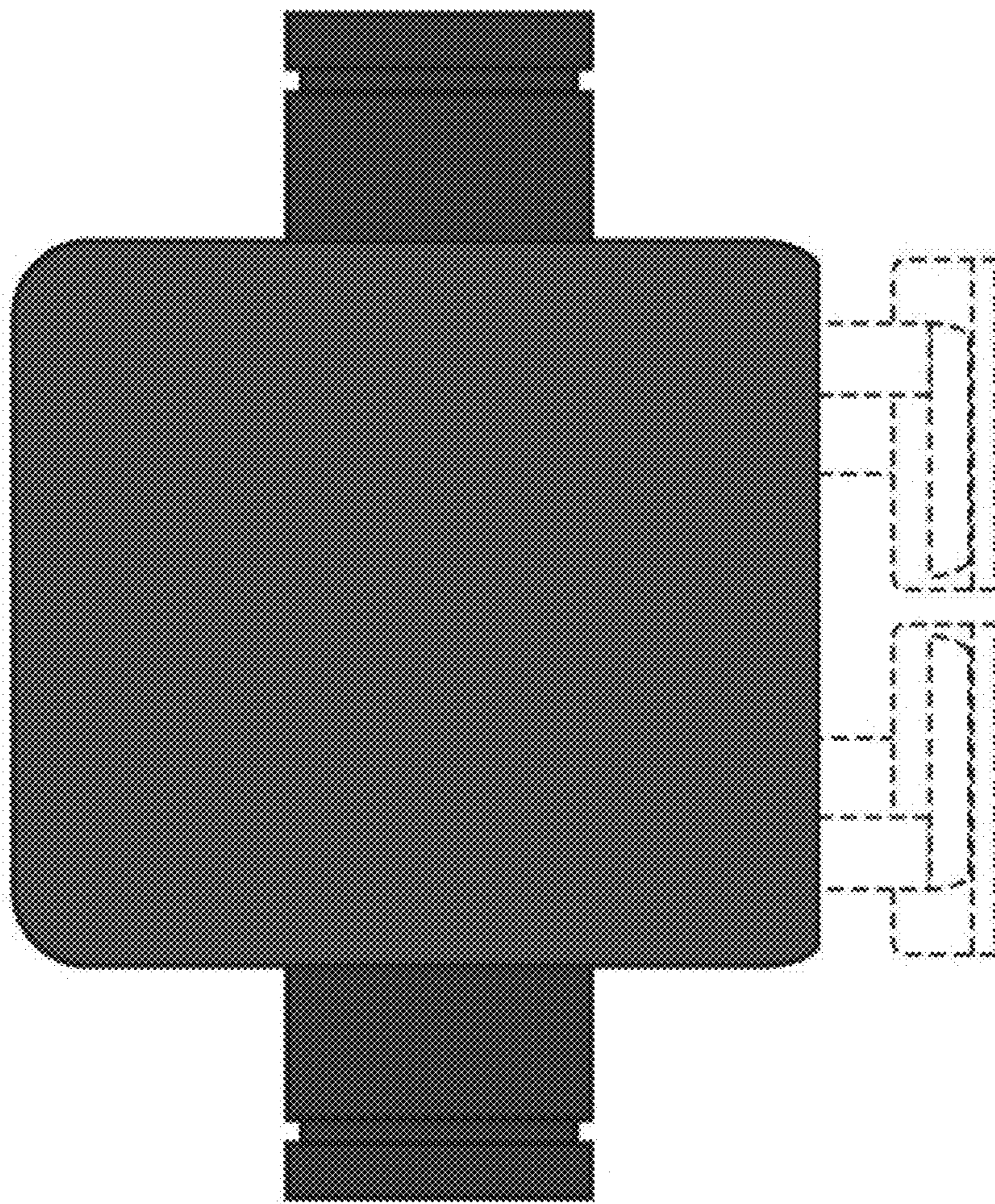
6.1



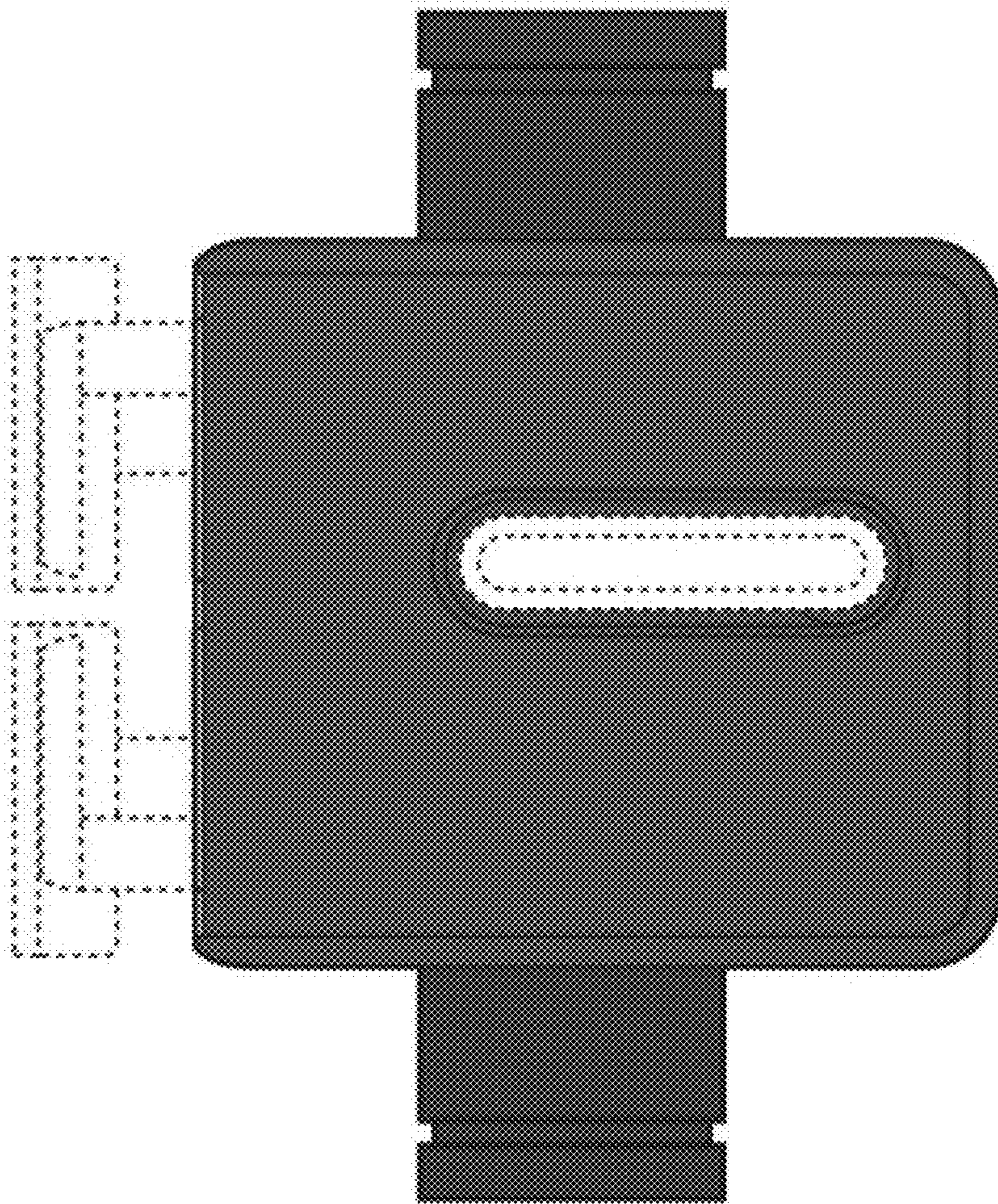
6.2



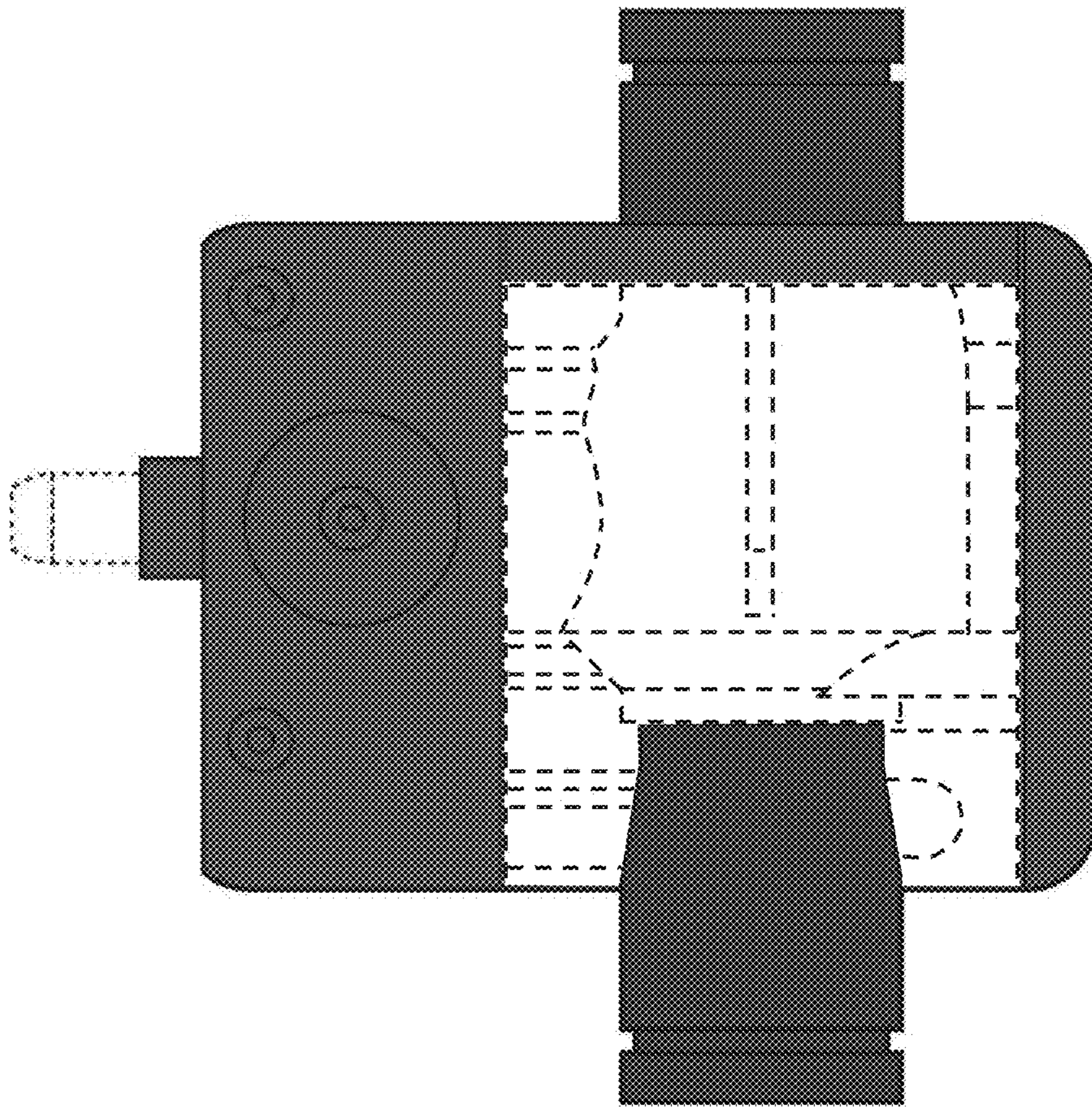
6.3



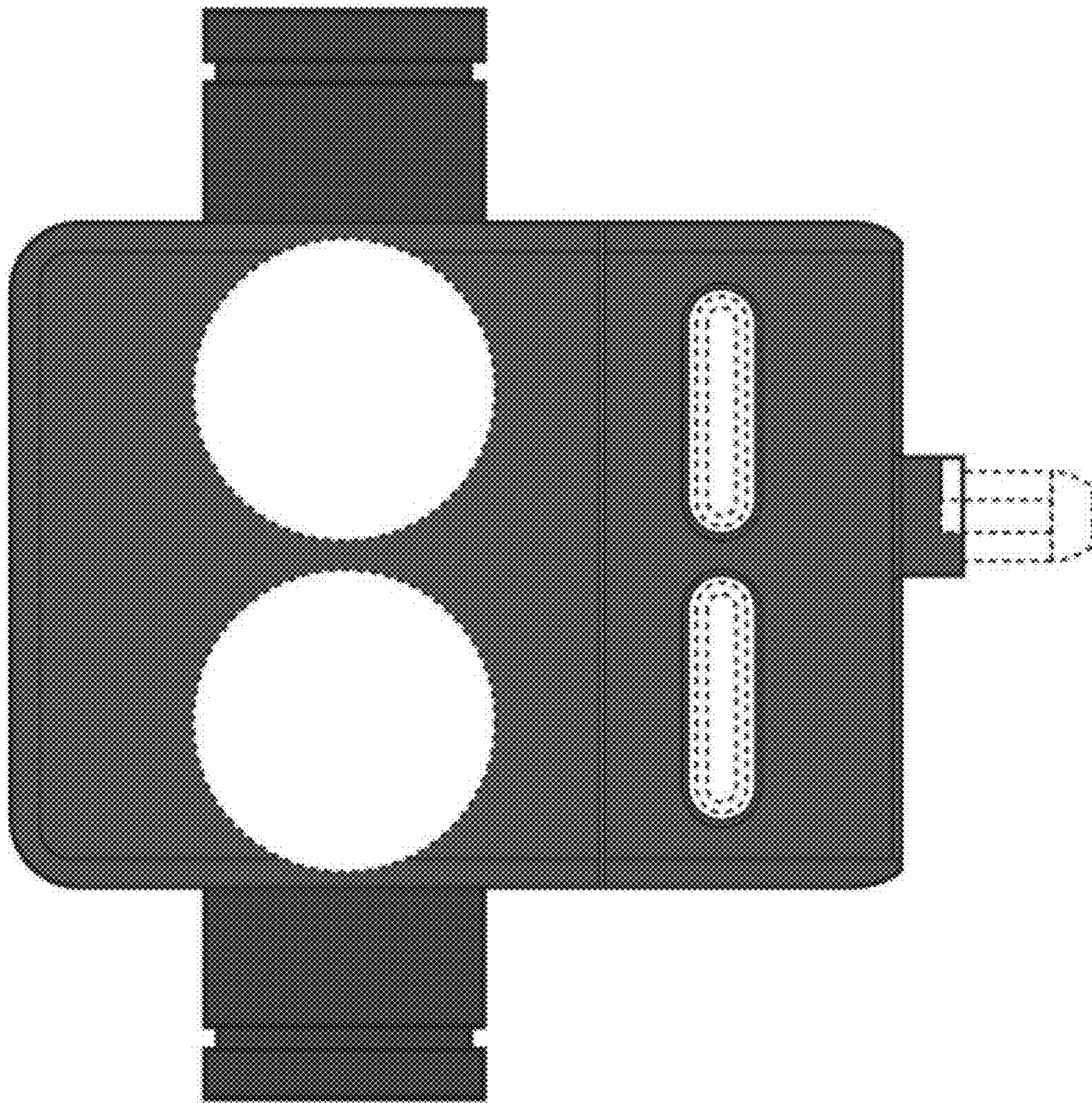
6.4



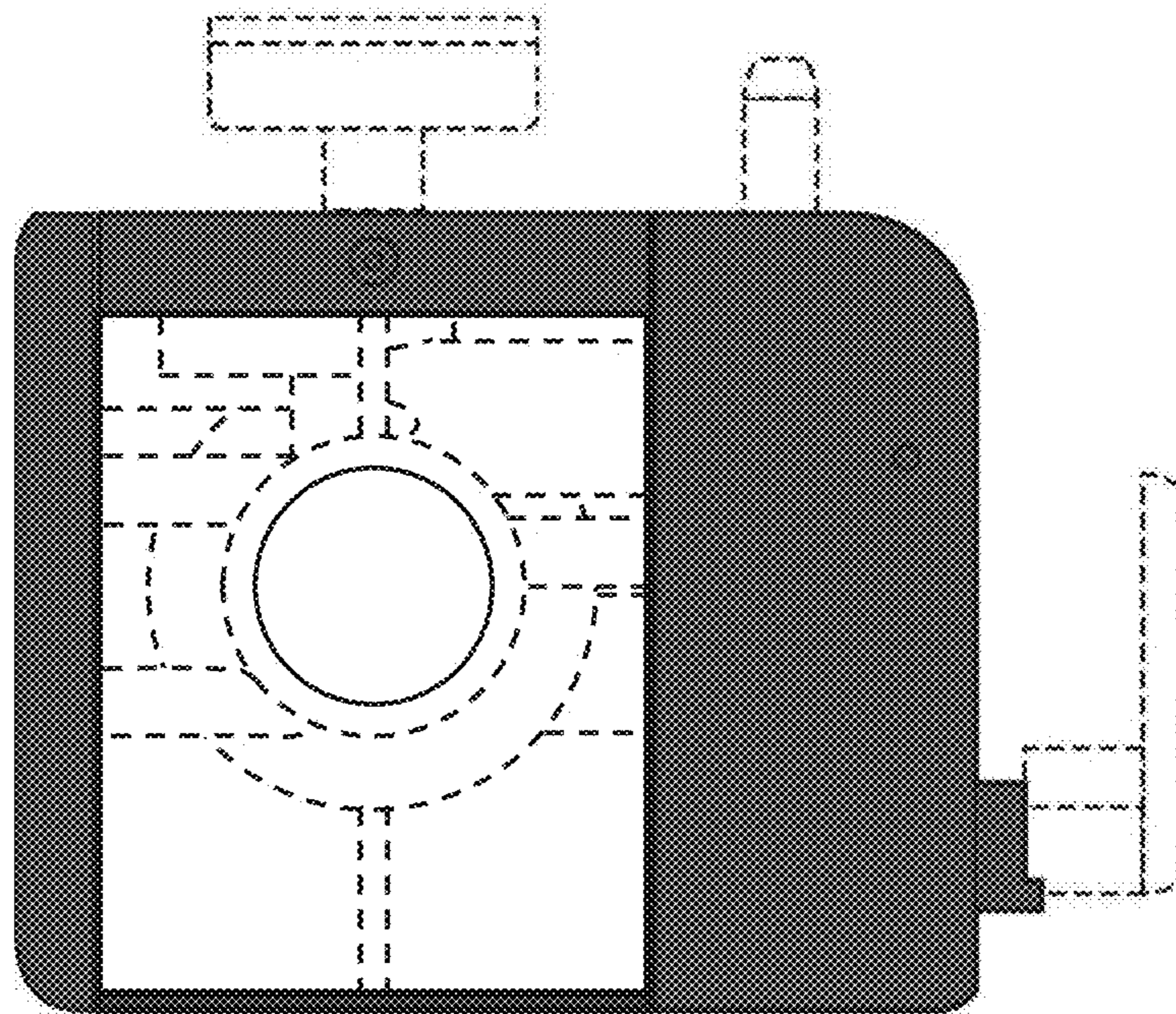
6.5



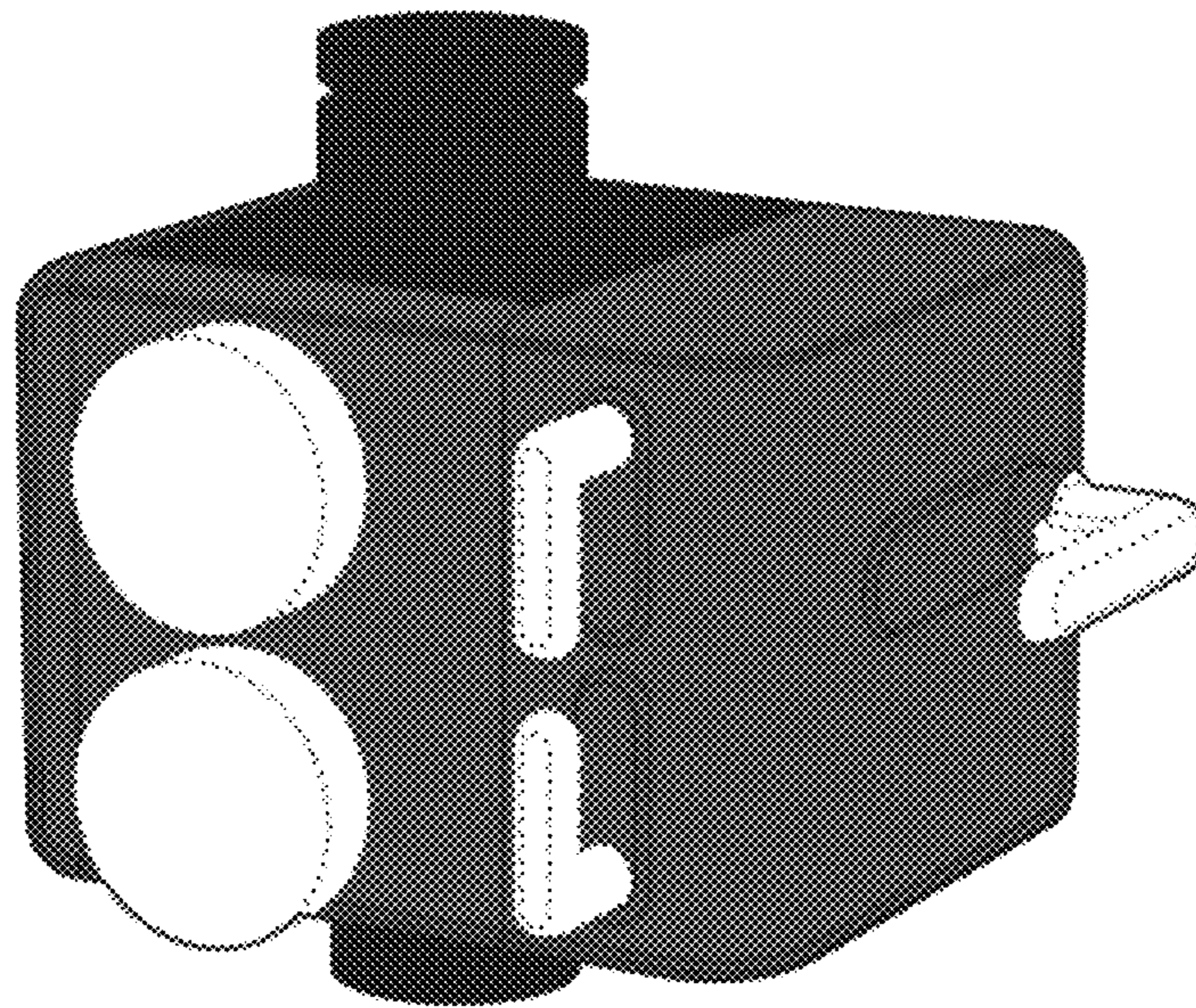
6.6



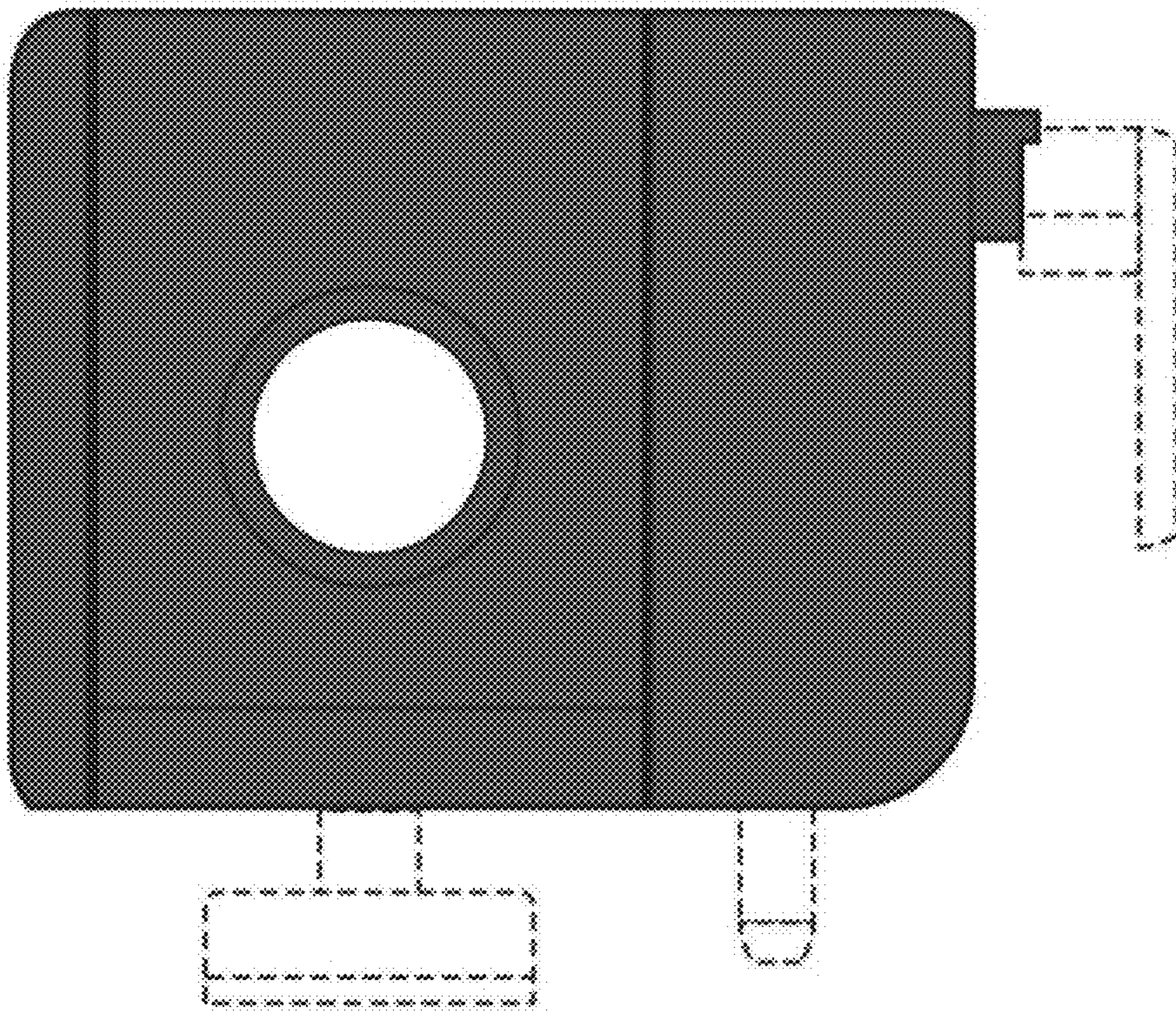
6.7



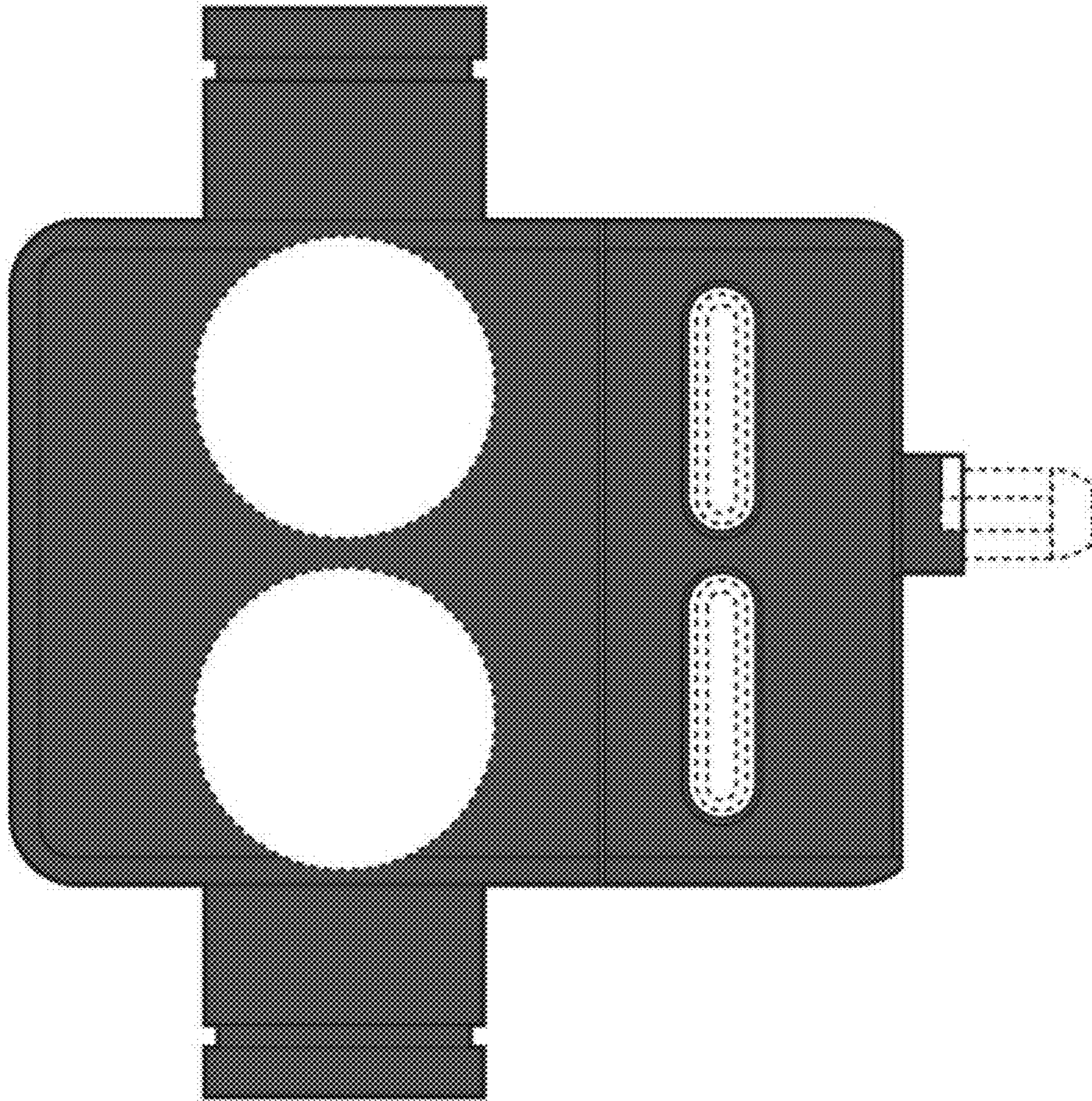
7.1



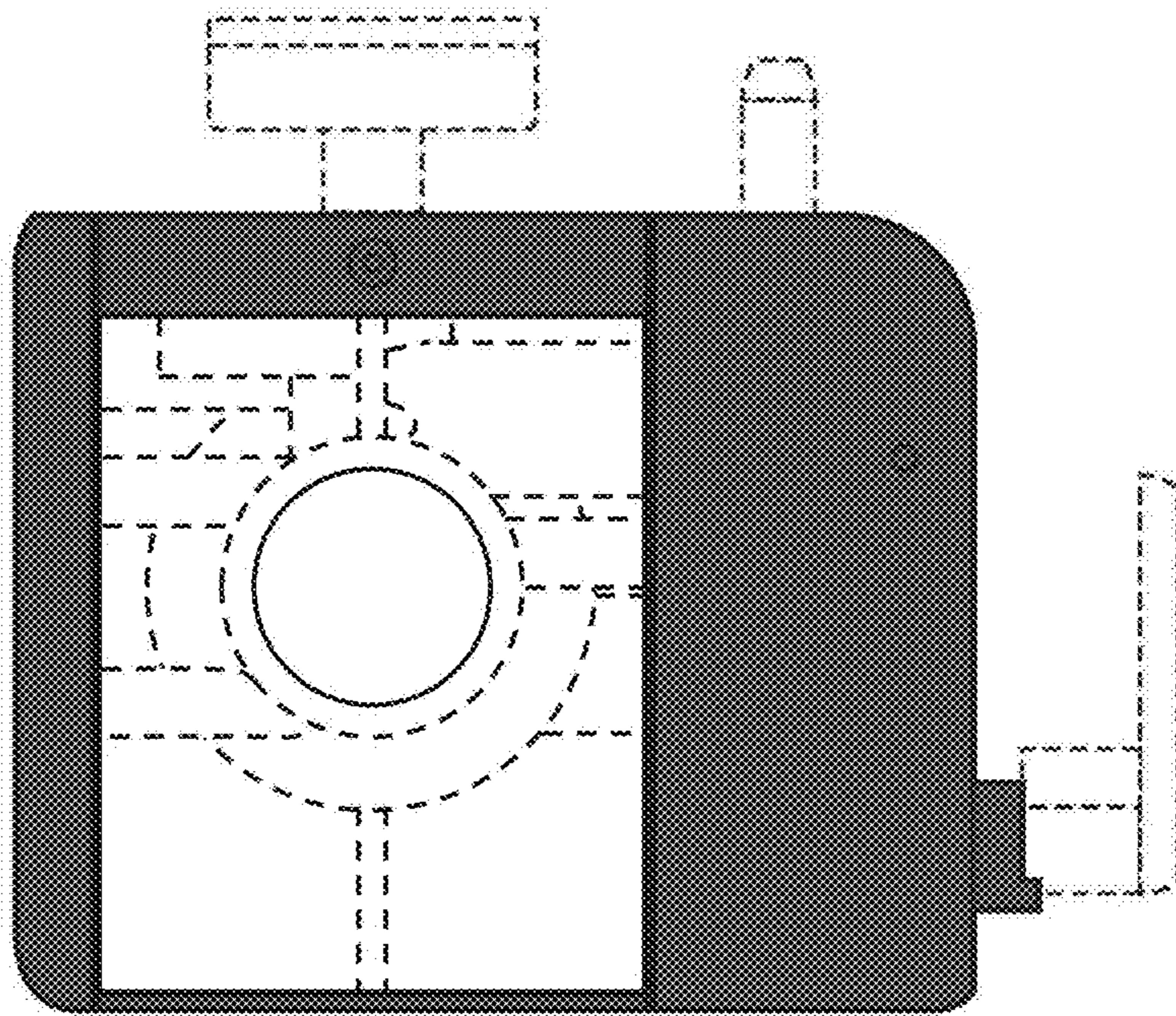
7.2



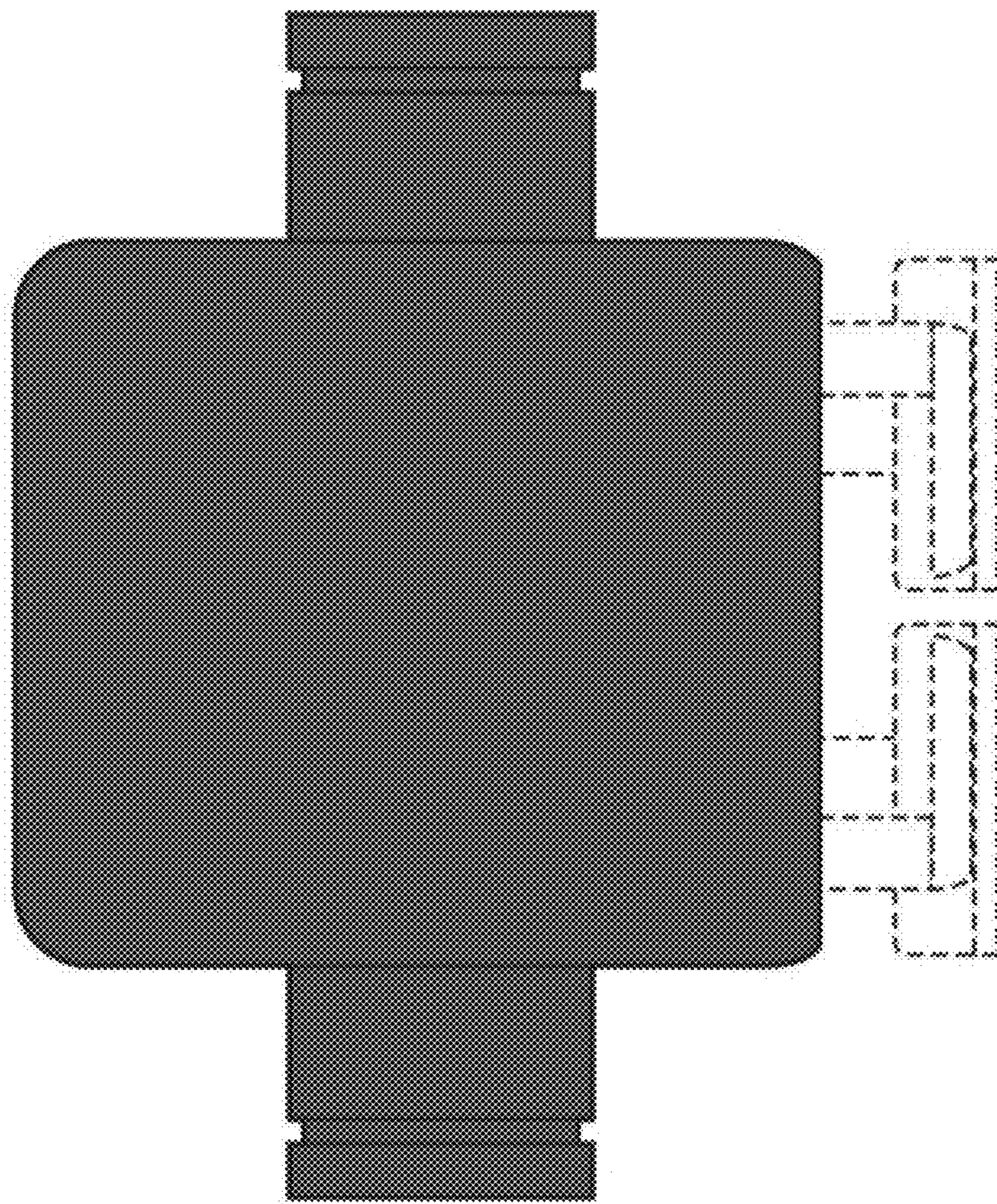
7.3



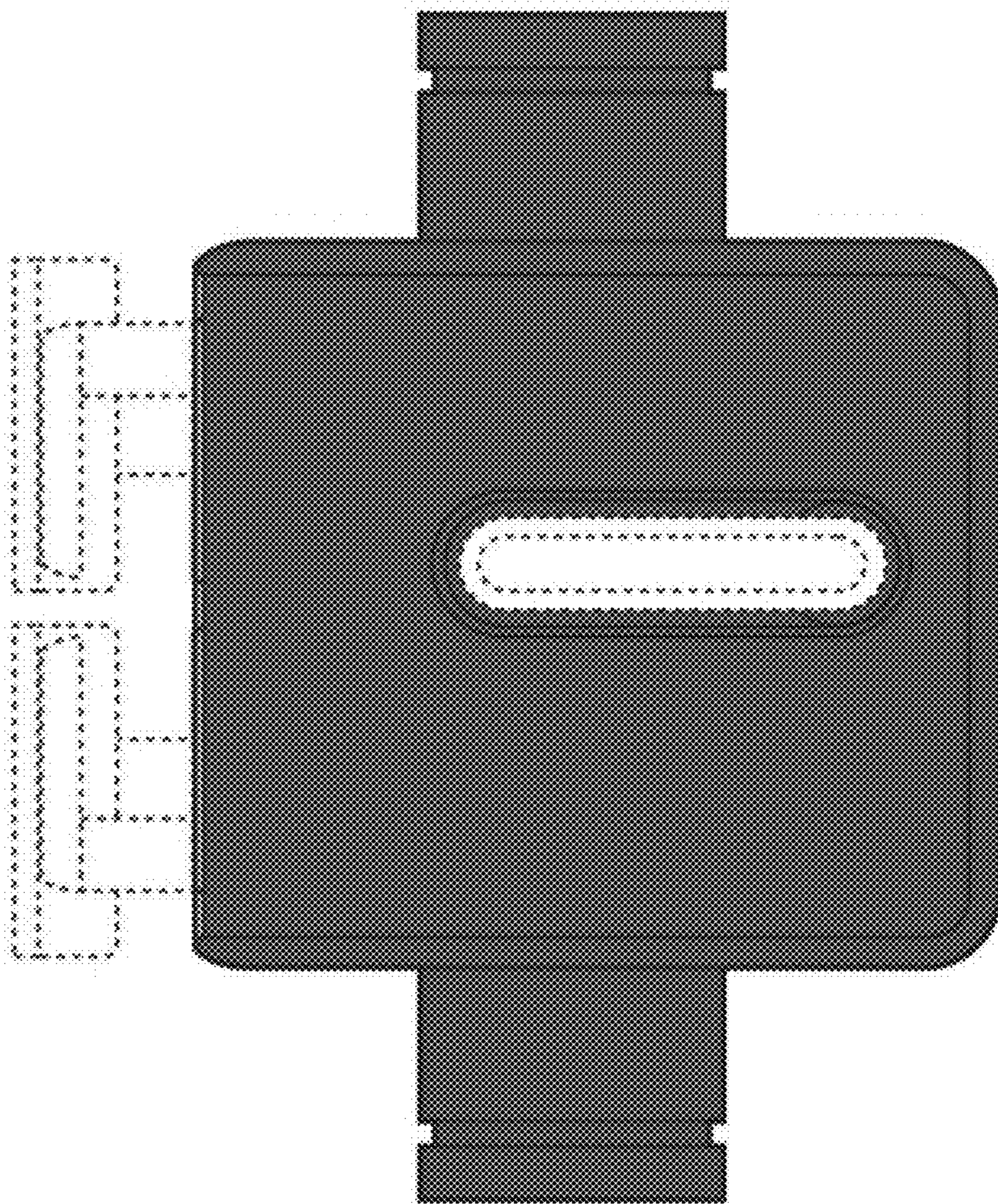
7.4



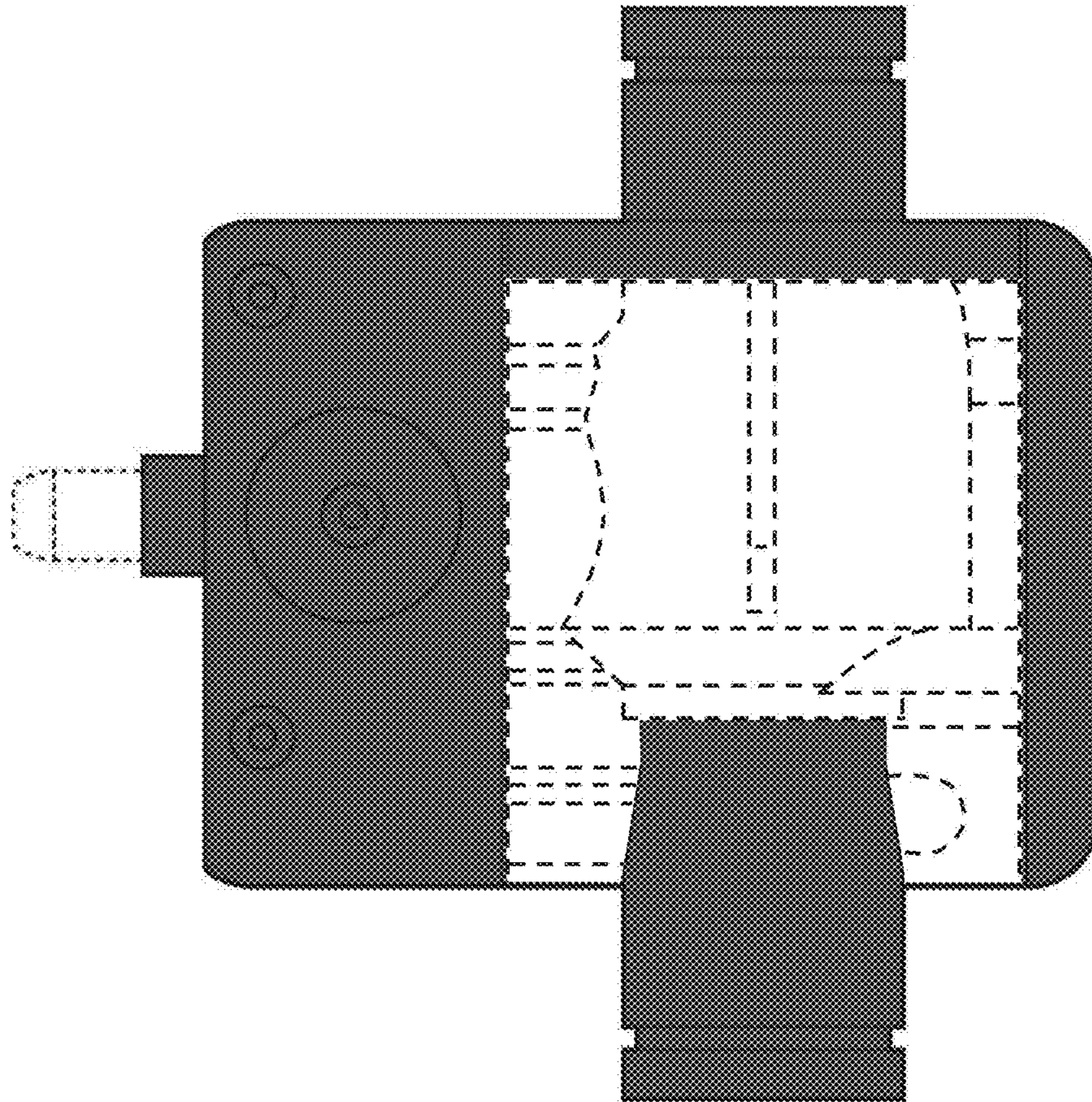
7.5



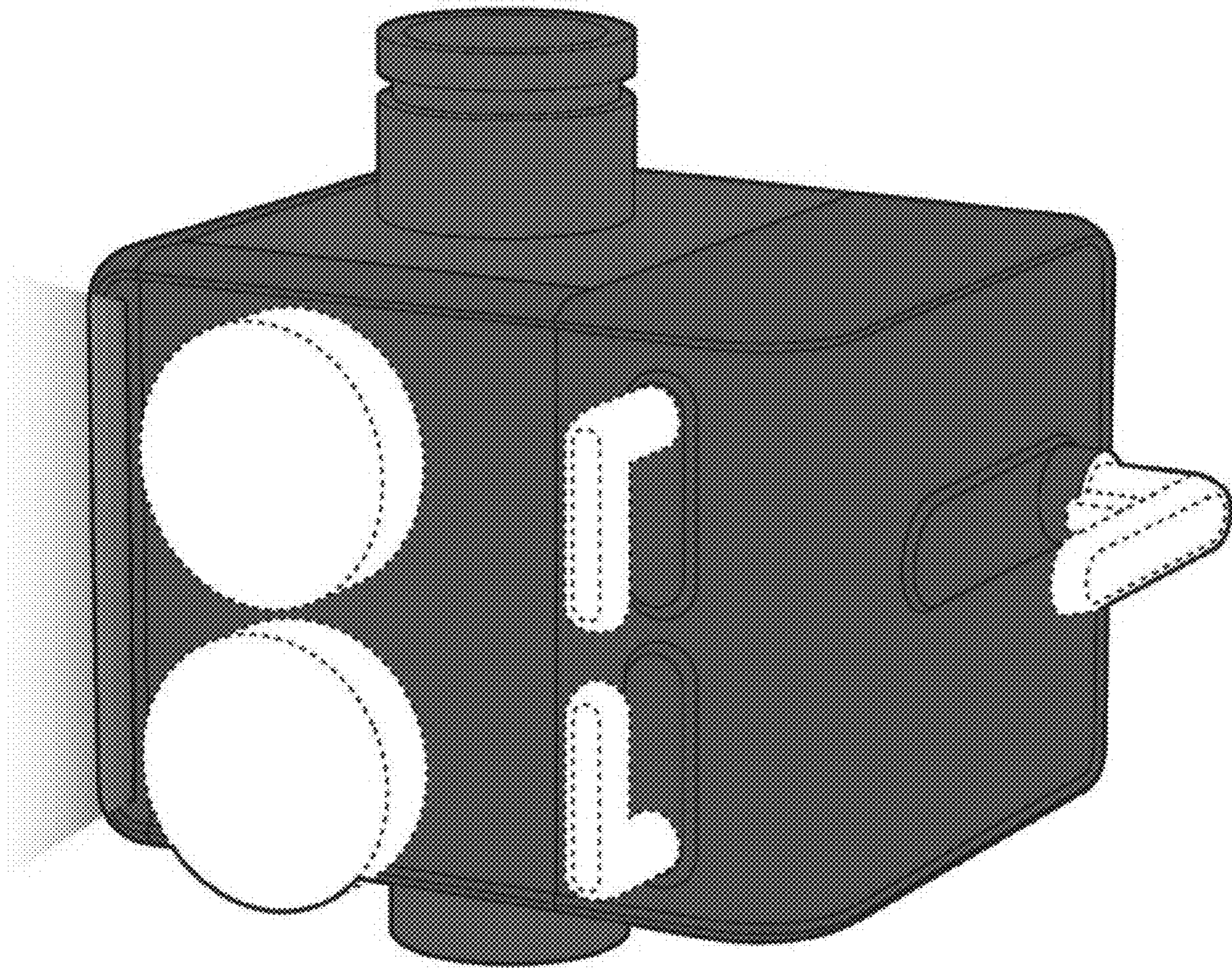
7.6



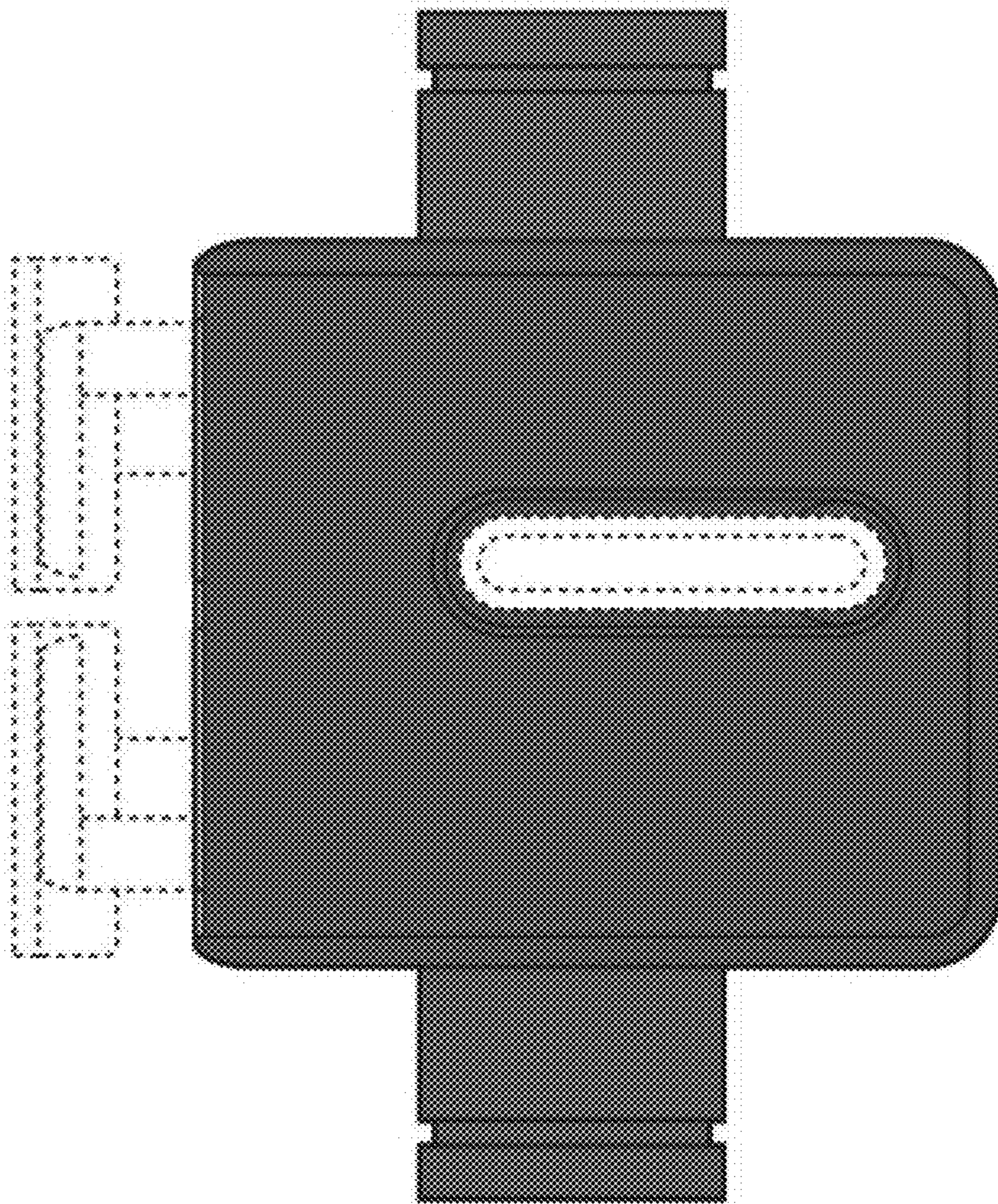
7.7



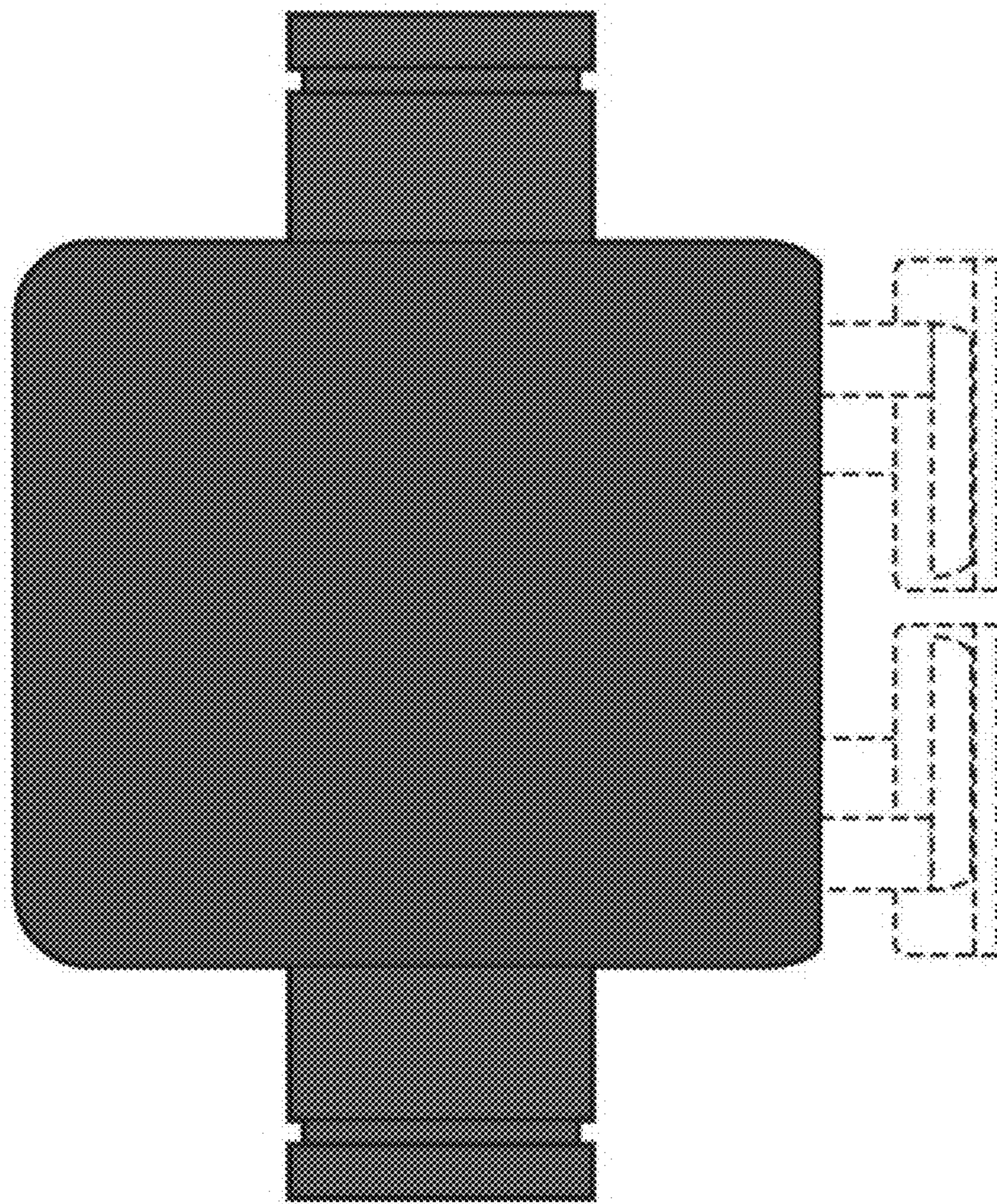
8.1



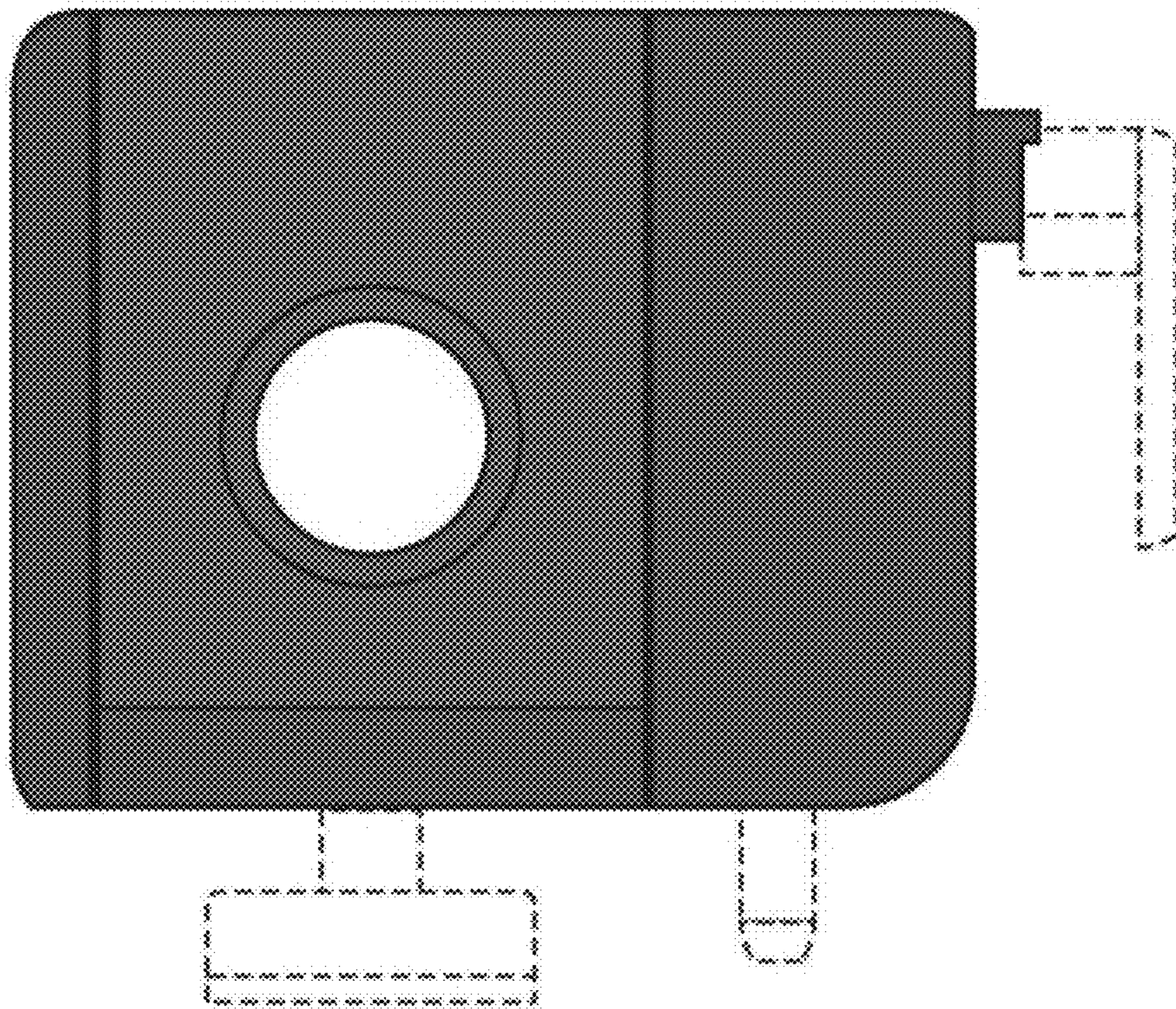
8.2



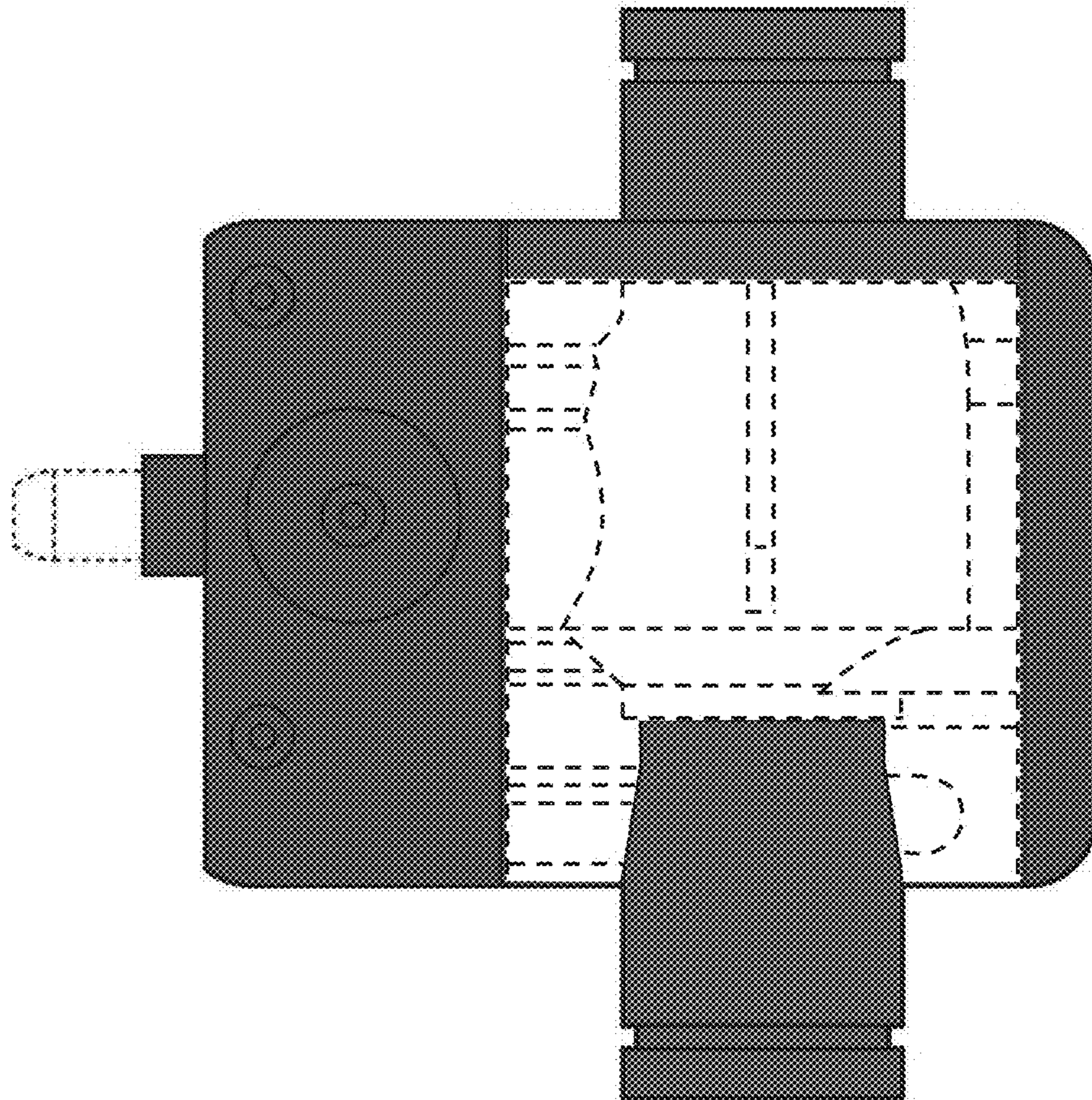
8.3



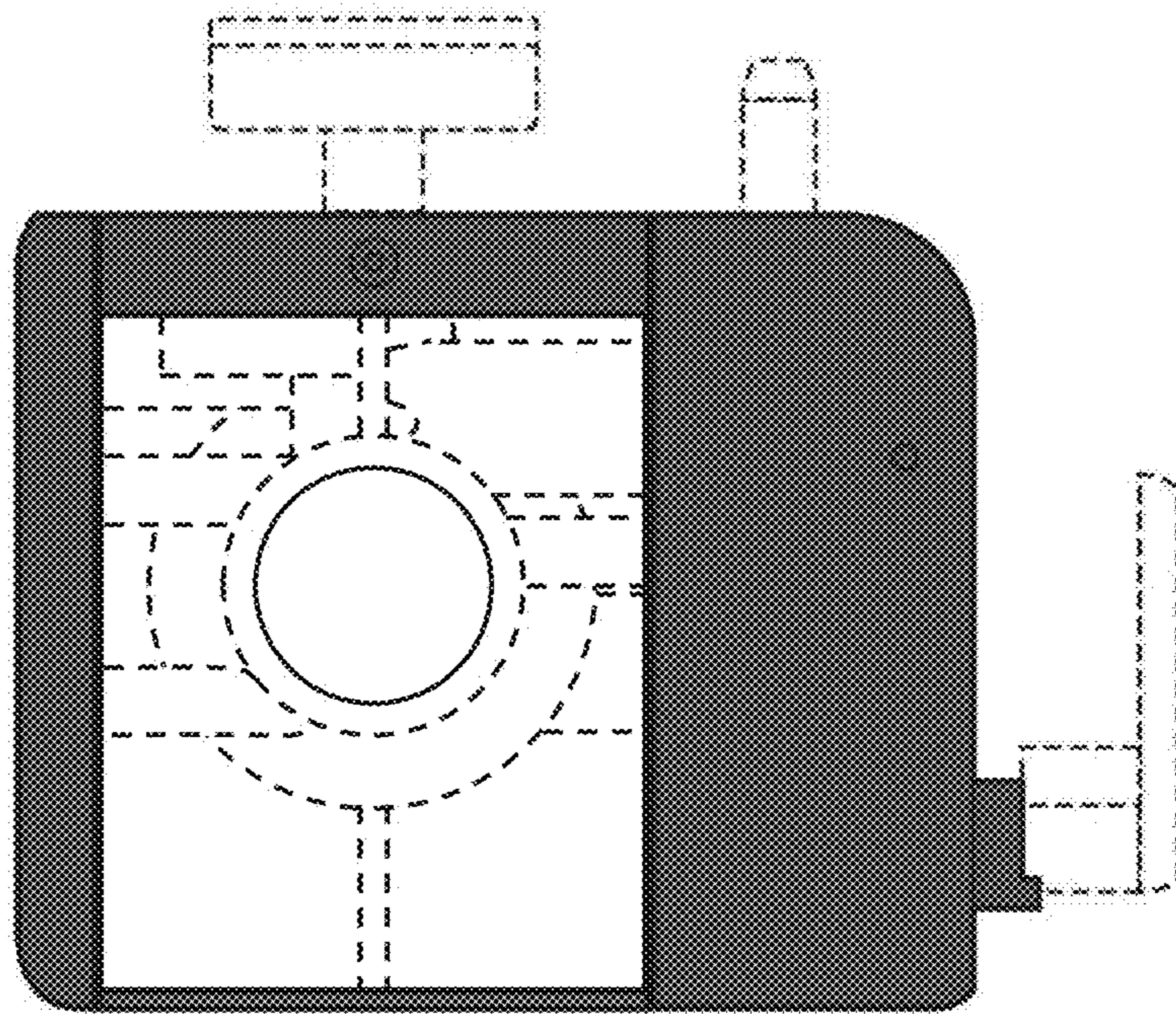
8.4



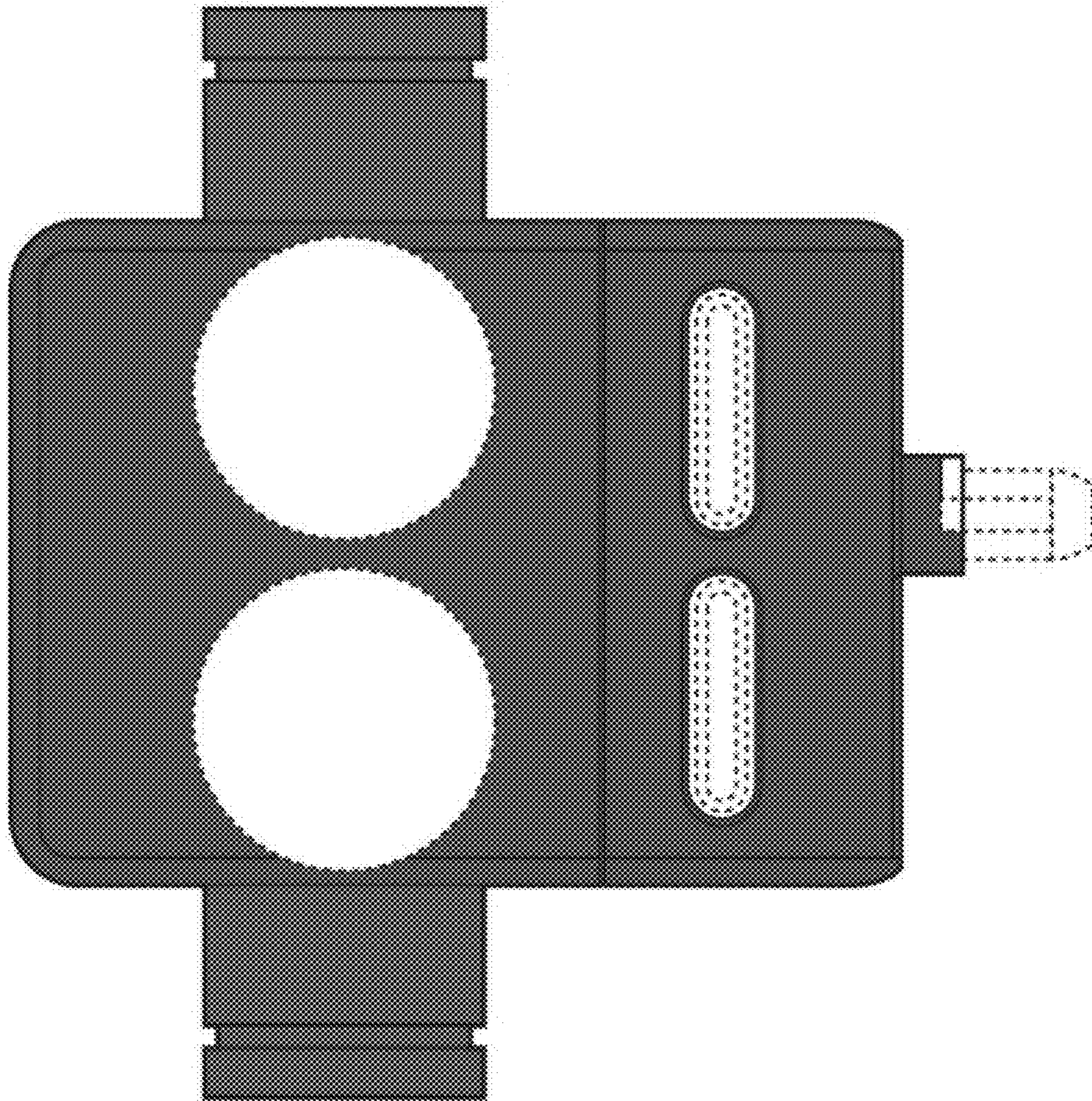
8.5



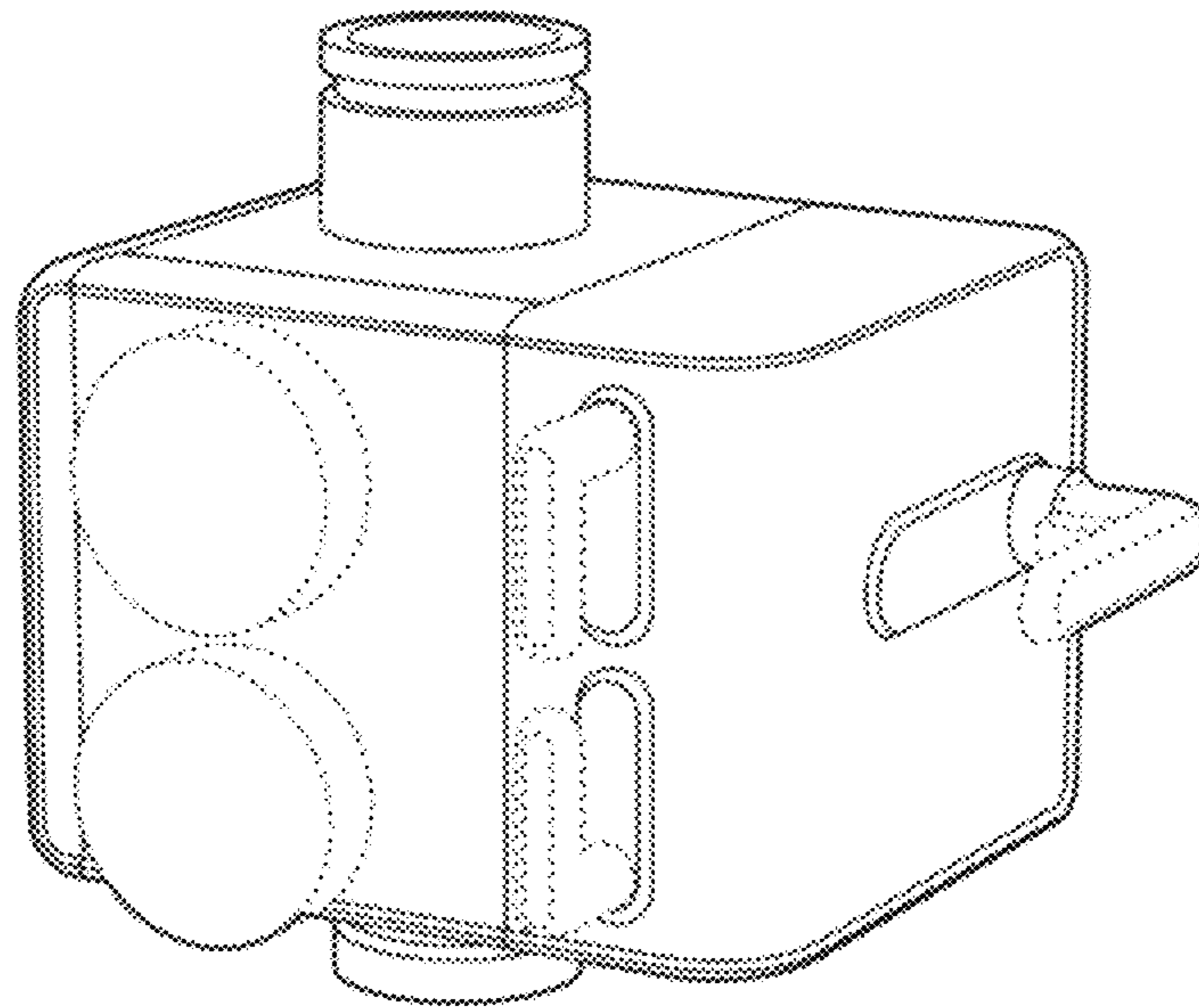
8.6



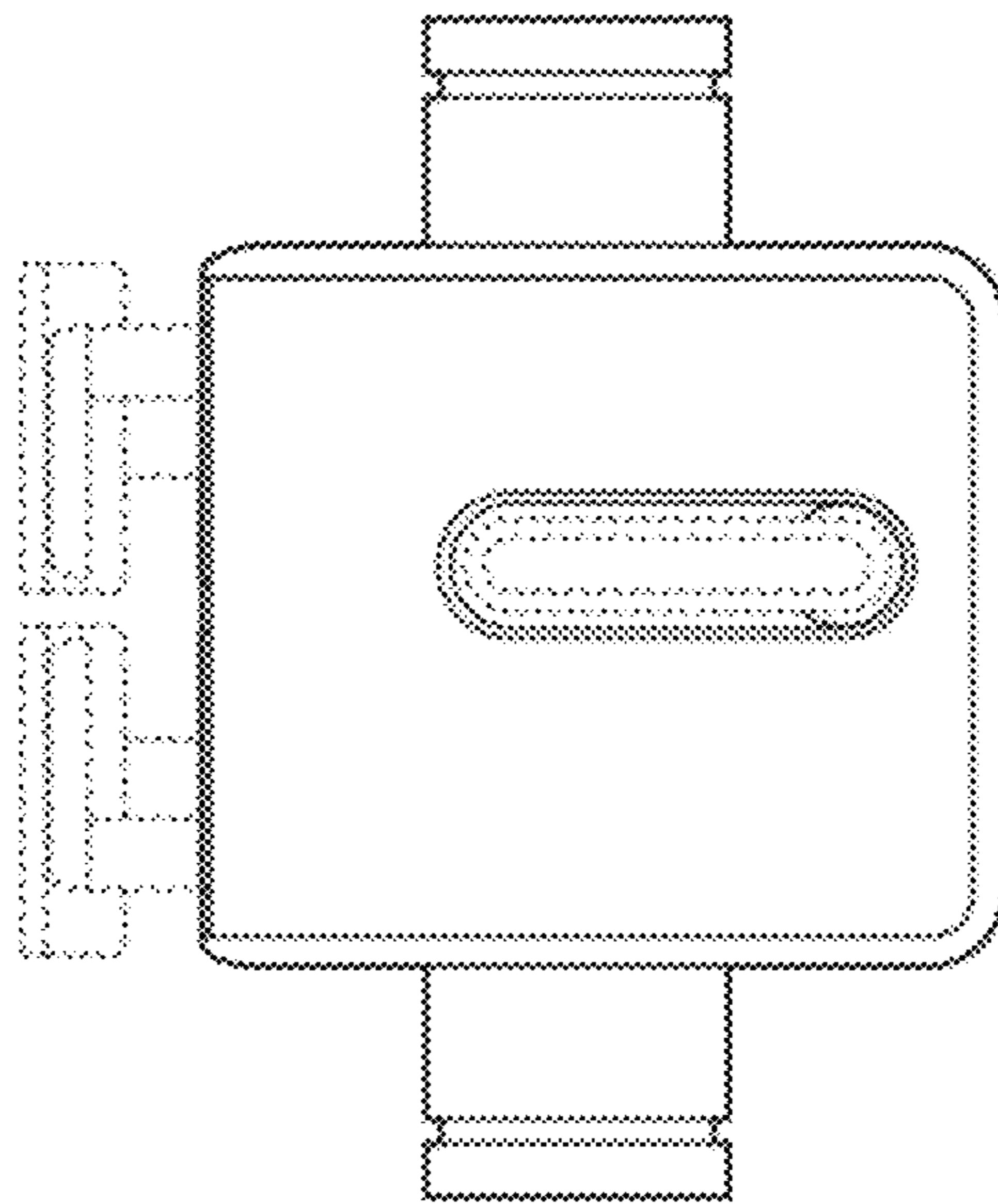
8.7



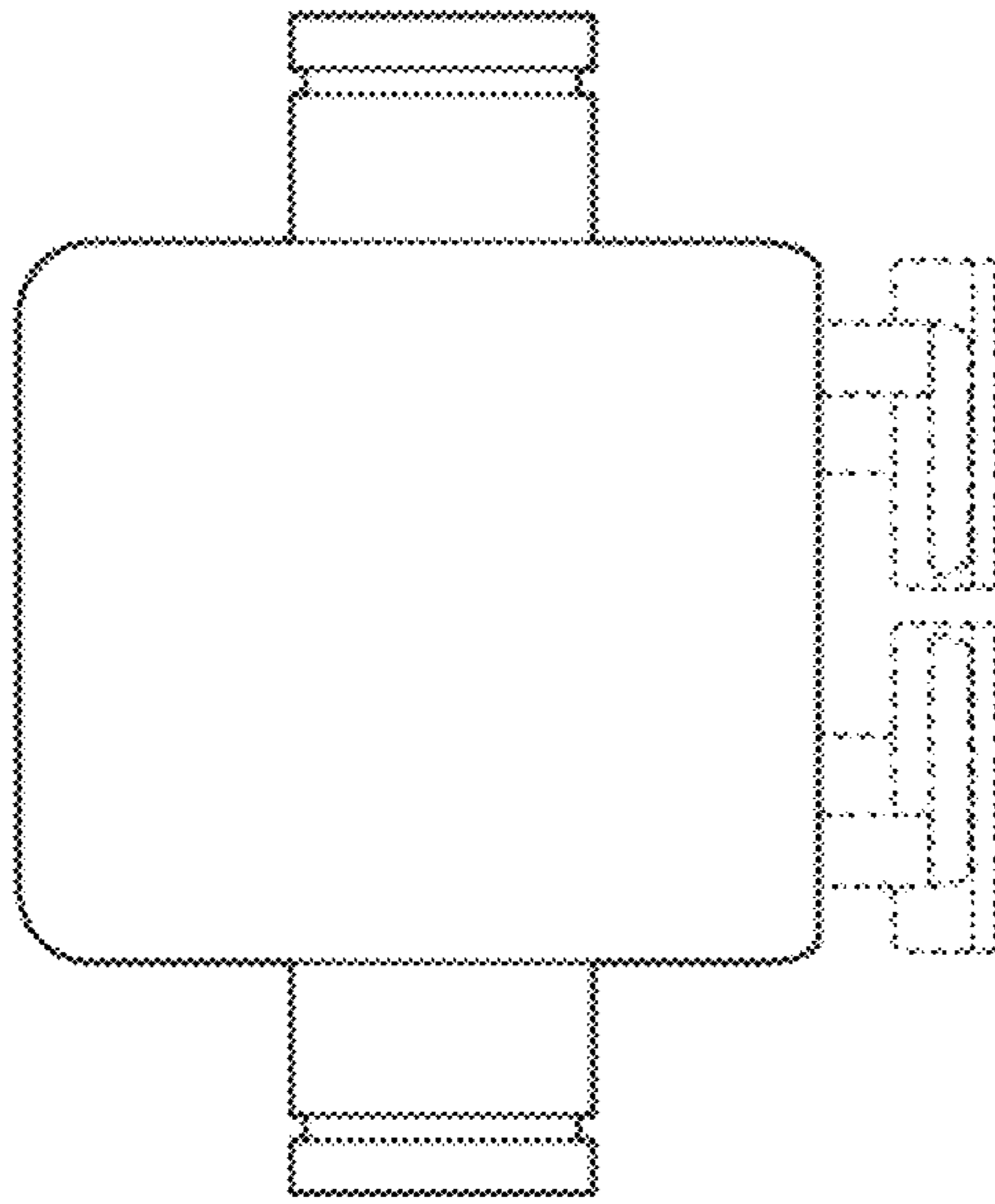
9.1



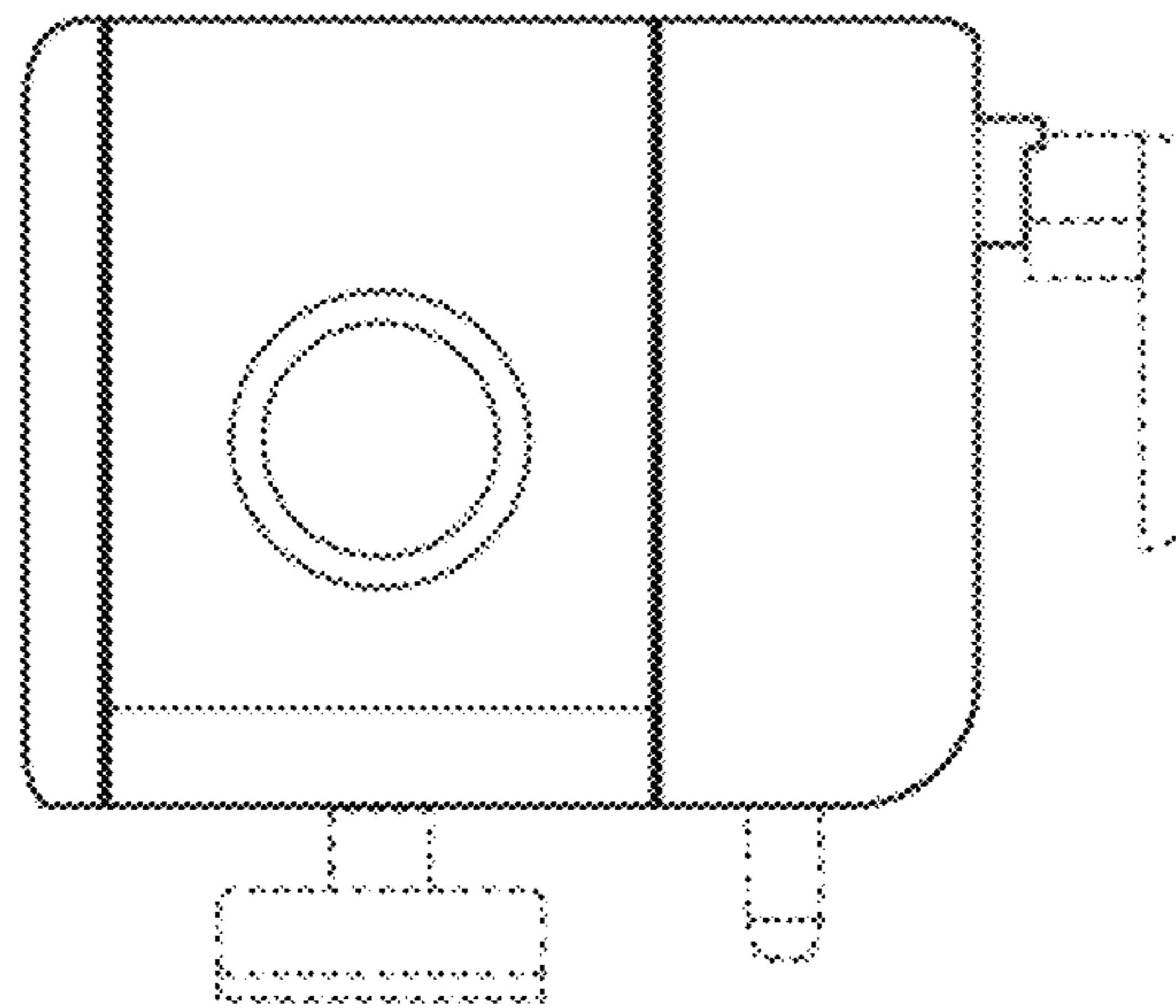
9.2



9.3



9.4



9.5

