



US00D890300S

(12) **United States Design Patent** (10) **Patent No.:** **US D890,300 S**
Alvarez et al. (45) **Date of Patent:** **** Jul. 14, 2020**

(54) **VALVE** D721,163 S * 1/2015 Nishiyama D23/233
D726,882 S * 4/2015 Maeda D23/249
(71) Applicant: **Fluid Automation Systems S.A.**, D828,498 S * 9/2018 Doi D23/233
Versoix (CH) D828,499 S * 9/2018 Doi D23/233

FOREIGN PATENT DOCUMENTS

(72) Inventors: **Raphael Alvarez**, Nyon (CH); **Vincent Tanari**, Satigny (CH); **Pierre Sirdey**, Genève (CH)
WO 2008037272 A1 4/2008
WO 2013053497 A2 4/2013
WO 2013053498 A2 4/2013
WO 2015118070 A1 8/2015

(73) Assignee: **FAS MEDIC SA**, Oron (CH)

* cited by examiner

(**) Term: **15 Years**

Primary Examiner — Gino Colan

(21) Appl. No.: **29/625,583**

(74) Attorney, Agent, or Firm — The Ollila Law Group LLC

(22) Filed: **Nov. 10, 2017**

(51) **LOC (12) Cl.** **23-01**

(52) **U.S. Cl.**

(57) **CLAIM**

The ornamental design for a valve, as shown and described.

USPC **D23/233**

DESCRIPTION

(58) **Field of Classification Search**

USPC D23/233, 249, 235, 237, 241, 247, 248;
251/129.15, 129.2, 129.01

CPC .. F16K 31/0675; F16K 27/029; F16K 27/048;
F16K 31/082; F16K 11/24

See application file for complete search history.

FIG. 1 is a front perspective view of a valve showing our new design;

FIG. 2 is a rear perspective view thereof;

FIG. 3 is a right side elevation view thereof, the left side being a mirror image;

FIG. 4 is a front elevation view thereof;

FIG. 5 is a rear elevation view thereof;

FIG. 6 is a top plan view thereof; and,

FIG. 7 is a bottom plan view thereof.

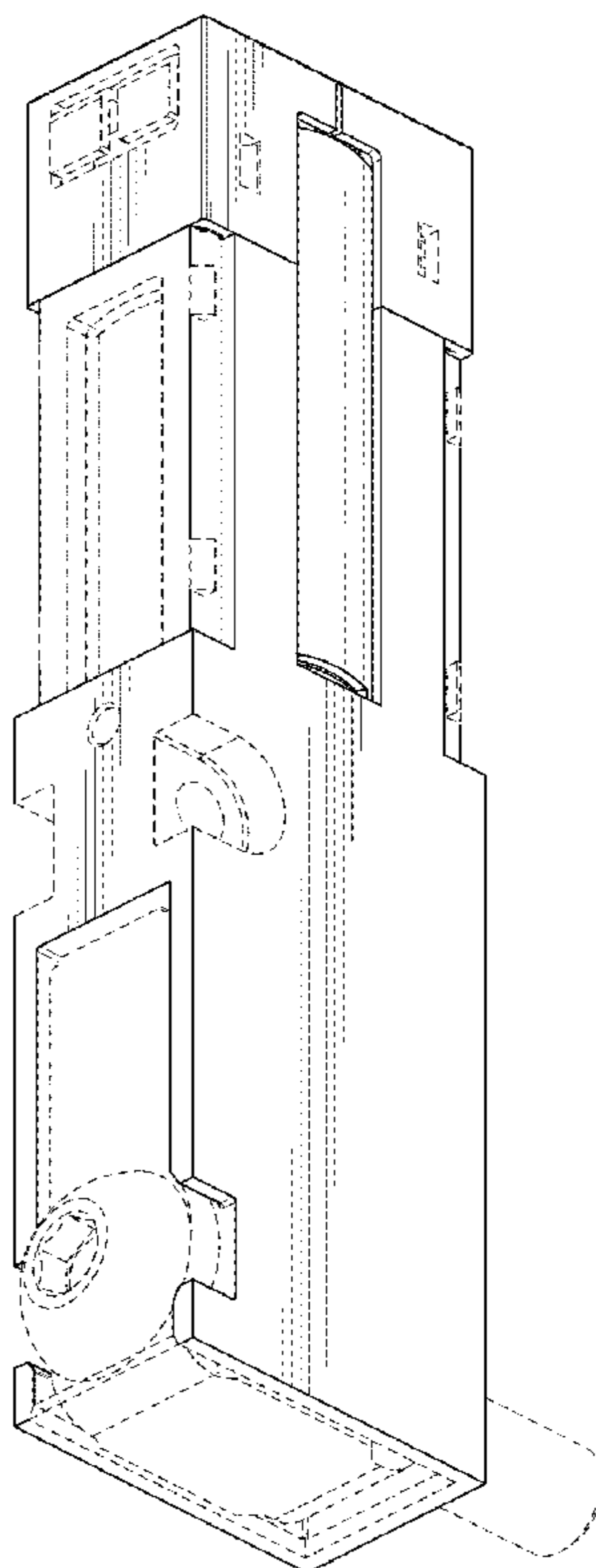
The broken lines shown in the figures are for the purpose of illustrating portions of the valve and form no part of the claimed design.

(56) **References Cited**

U.S. PATENT DOCUMENTS

D338,258 S * 8/1993 Tamaki D23/248
D459,441 S * 6/2002 Hayashi D23/233
D607,540 S * 1/2010 Matsumoto D23/233
D636,460 S * 4/2011 Hayashi D23/233
D653,308 S * 1/2012 Senba D23/233

1 Claim, 6 Drawing Sheets



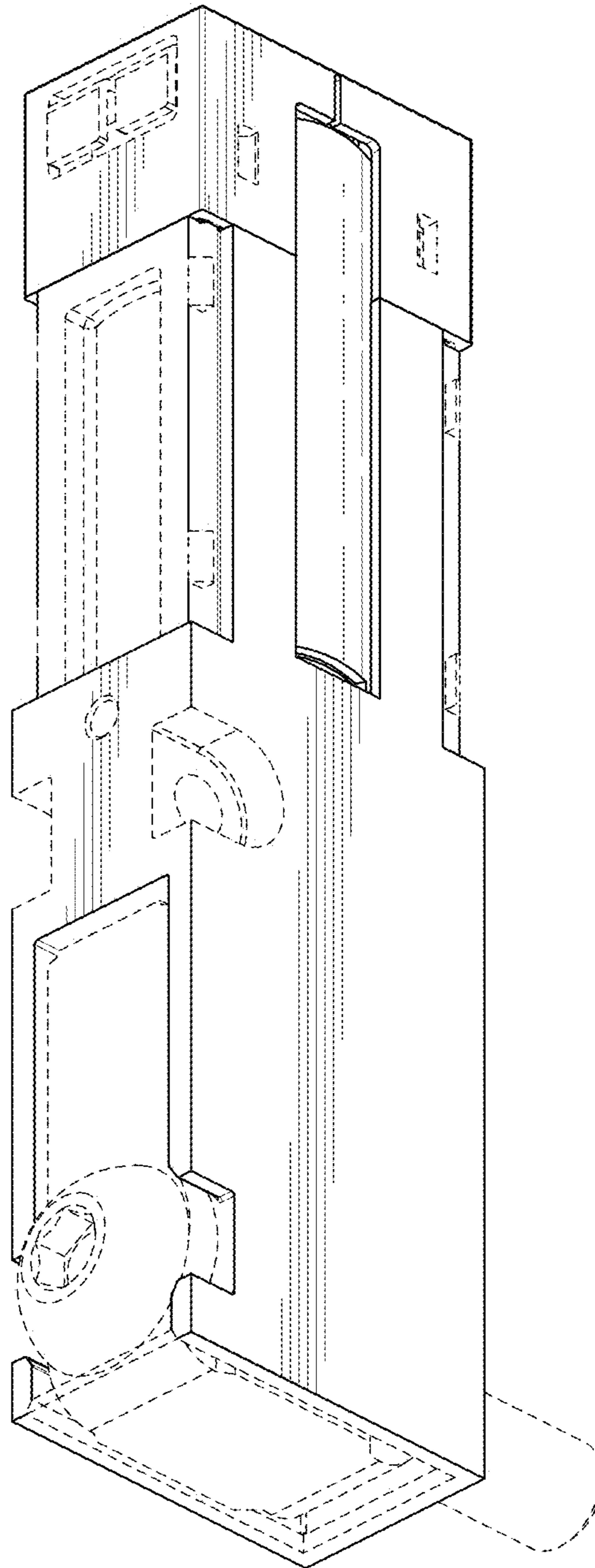


FIG. 1

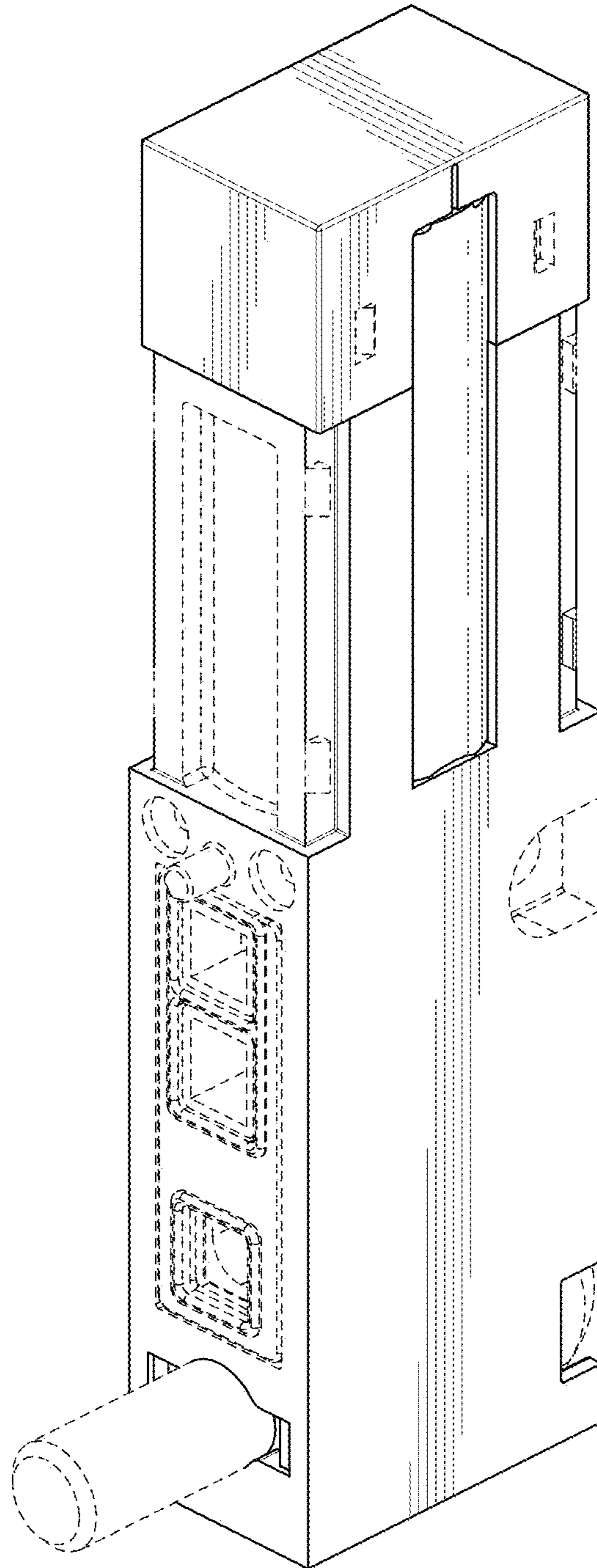


FIG. 2

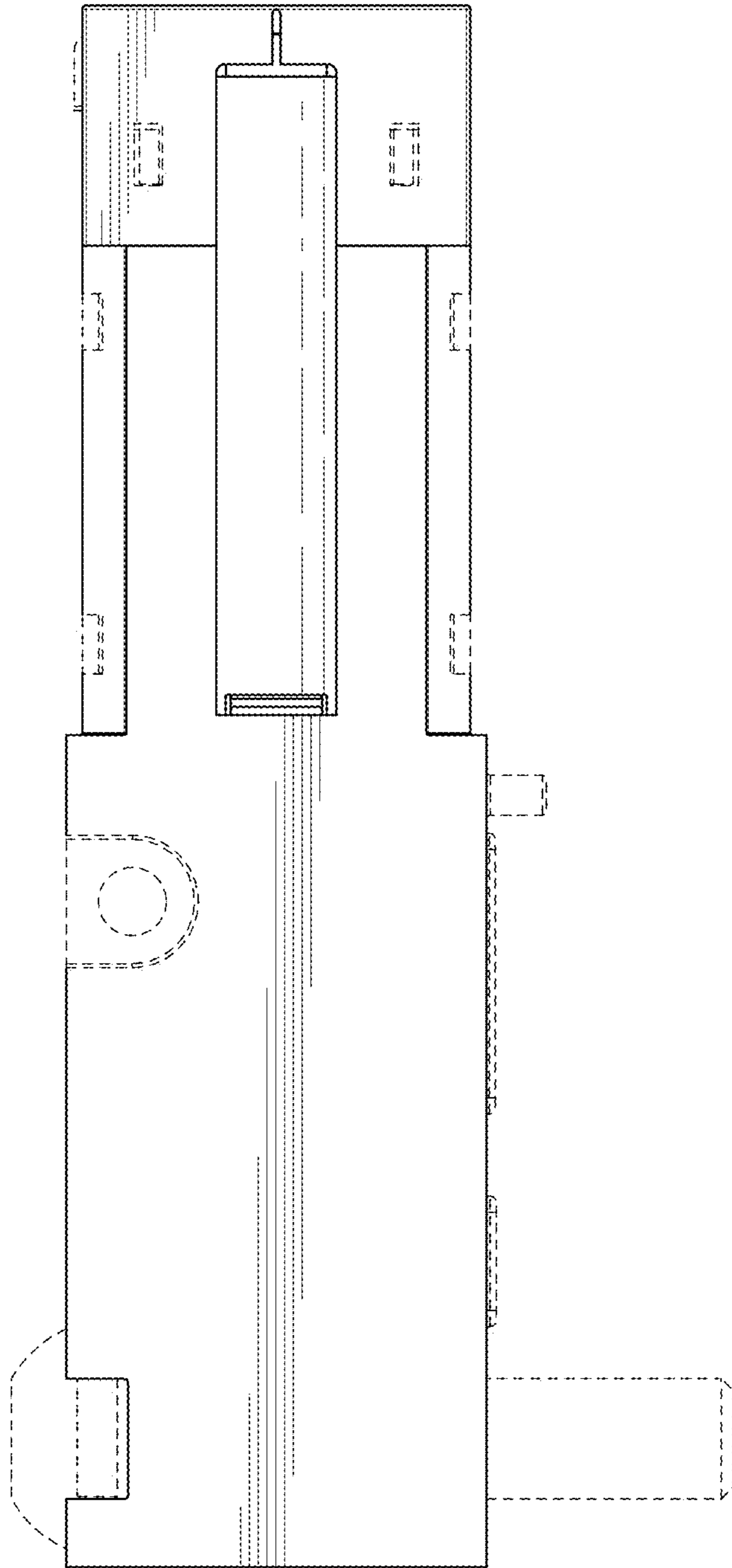


FIG. 3

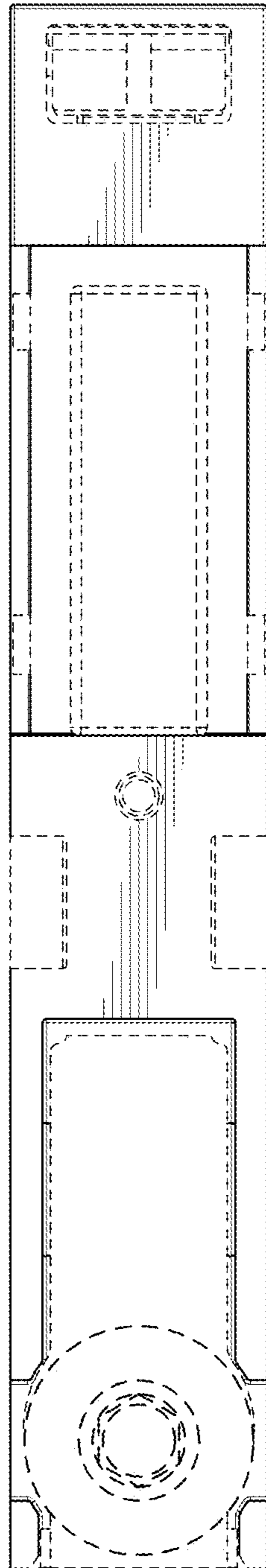


FIG. 4

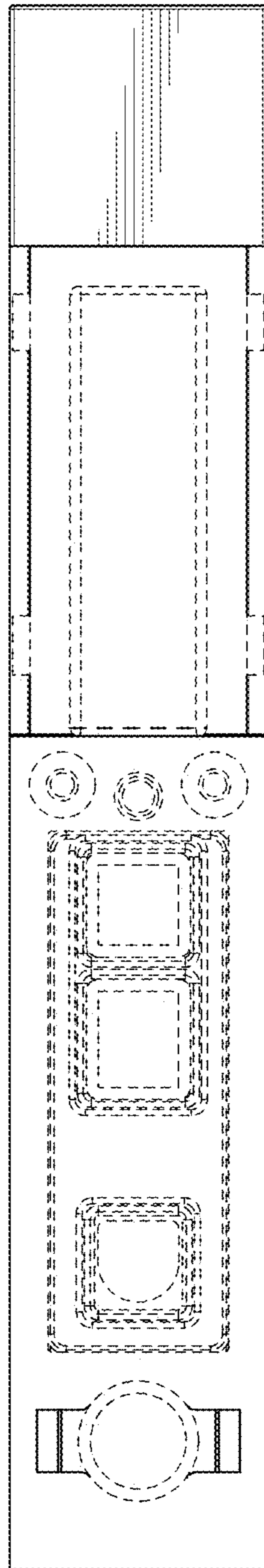


FIG. 5

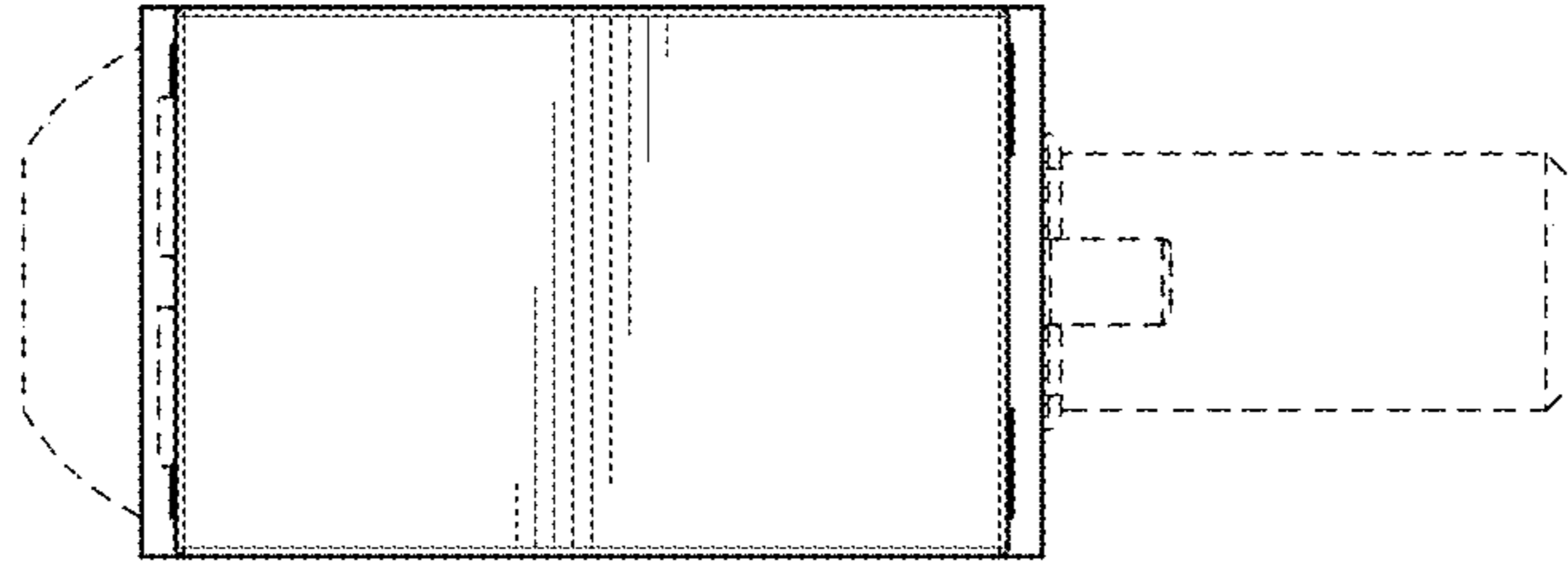


FIG. 6

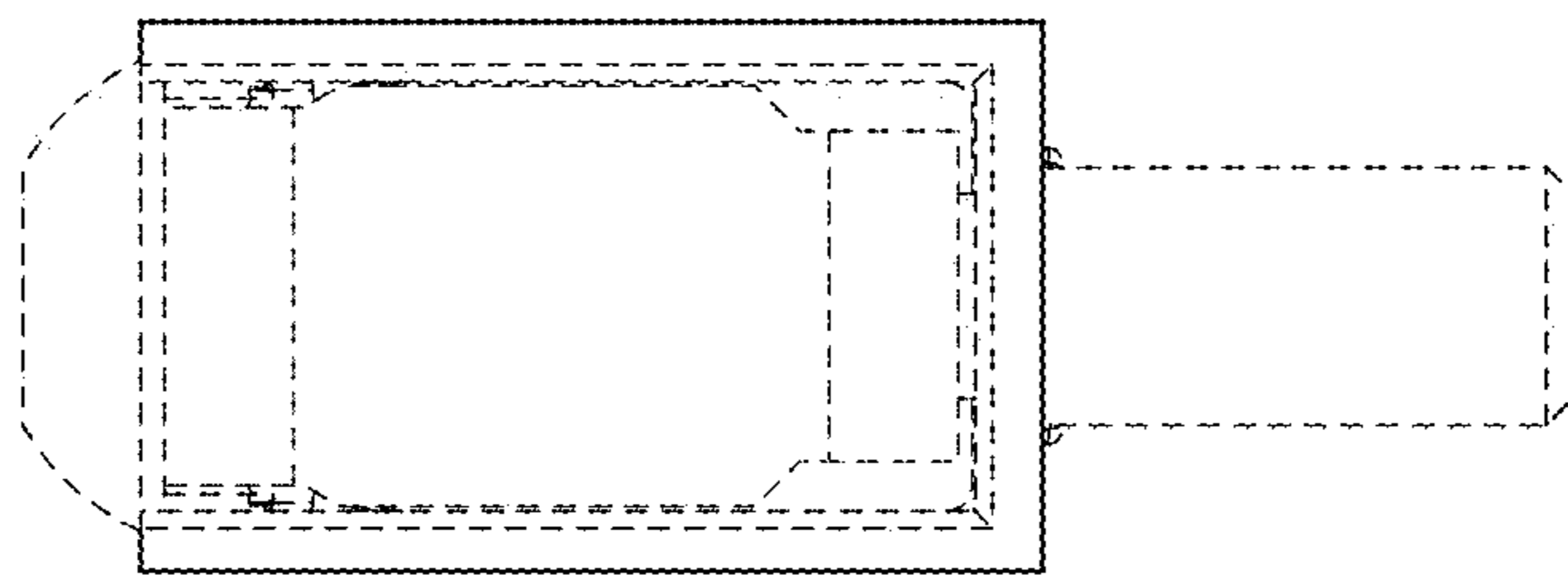


FIG. 7