



US00D890299S

(12) **United States Design Patent** (10) **Patent No.:** **US D890,299 S**
Tse et al. (45) **Date of Patent:** **** Jul. 14, 2020**

(54) **SPRAYER DEVICE**
(71) Applicant: **Berlin Packaging, LLC**, Chicago, IL (US)
(72) Inventors: **Kieron Tse**, Mt. Prospect, IL (US); **Andrew Sanguinet**, La Grange Park, IL (US)
(73) Assignee: **Berlin Packaging, LLC**, Chicago, IL (US)
(**) Term: **15 Years**
(21) Appl. No.: **29/671,540**
(22) Filed: **Nov. 28, 2018**
(51) **LOC (12) Cl.** **23-01**
(52) **U.S. Cl.**
USPC **D23/225; D23/213; D23/223**
(58) **Field of Classification Search**
USPC D23/208, 213, 223-225, 233, 235-237, D23/241-249, 252, 255, 262
CPC F04B 9/14; F04B 23/02; F04B 23/023; B05B 11/3059; B05B 11/3001
See application file for complete search history.

D767,095 S * 9/2016 Kuznik D23/225
D772,380 S * 11/2016 Fontaine D23/225
D787,326 S * 5/2017 Hanson D23/225
D809,097 S * 1/2018 Bates D23/225

OTHER PUBLICATIONS

<https://www.amazon.com/Zep-Output-Chemical-Sprayer-U43010/dp/B07M8DDMVJ/> (Year: 2019).*

* cited by examiner

Primary Examiner — Manpreet S Matharu

Assistant Examiner — Keith J Wilson

(74) *Attorney, Agent, or Firm* — Adam K. Sacharoff; Much Shelist, P.C.

(57) **CLAIM**

The ornamental design for a sprayer device, as shown and described.

DESCRIPTION

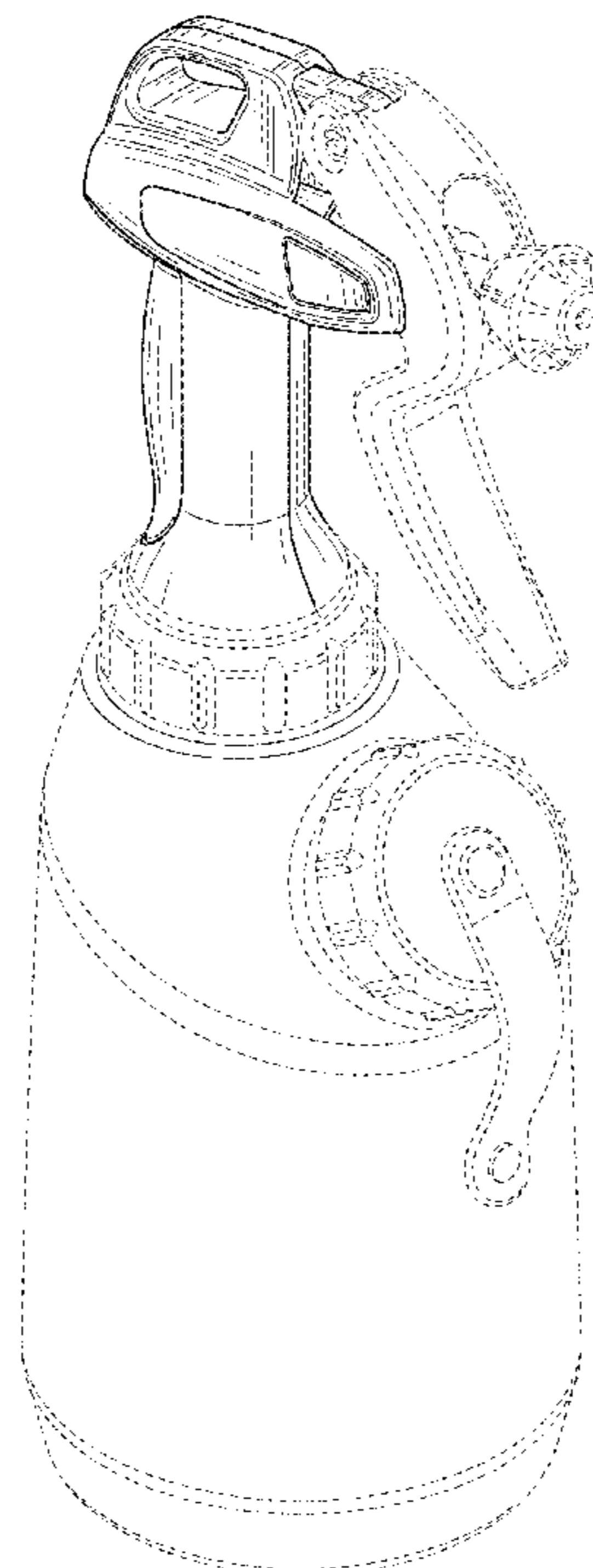
FIG. 1 is a front left side perspective view showing the new design for a sprayer device;
FIG. 2 is a rear right side perspective view thereof;
FIG. 3 is a front left side perspective view taken from underneath the bottle;
FIG. 4 is a rear right side perspective view taken from underneath the bottle;
FIG. 5 is a front elevation view thereof;
FIG. 6 is a rear elevation view thereof;
FIG. 7 is a right side view thereof;
FIG. 8 is a left side view thereof;
FIG. 9 is a top plan view thereof; and,
FIG. 10 is a bottom plan view thereof.
The broken lines represent portions of a sprayer device and form no part of the claimed design.

1 Claim, 10 Drawing Sheets

(56) **References Cited**

U.S. PATENT DOCUMENTS

D697,583 S * 1/2014 Schmon D23/225
D709,988 S * 7/2014 Ford D23/213
D742,998 S * 11/2015 Gooden B05B 7/2443
D23/225
D742,999 S * 11/2015 Moya D23/225
D764,024 S * 8/2016 Cleroux D23/225
D765,224 S * 8/2016 Voelker D23/225



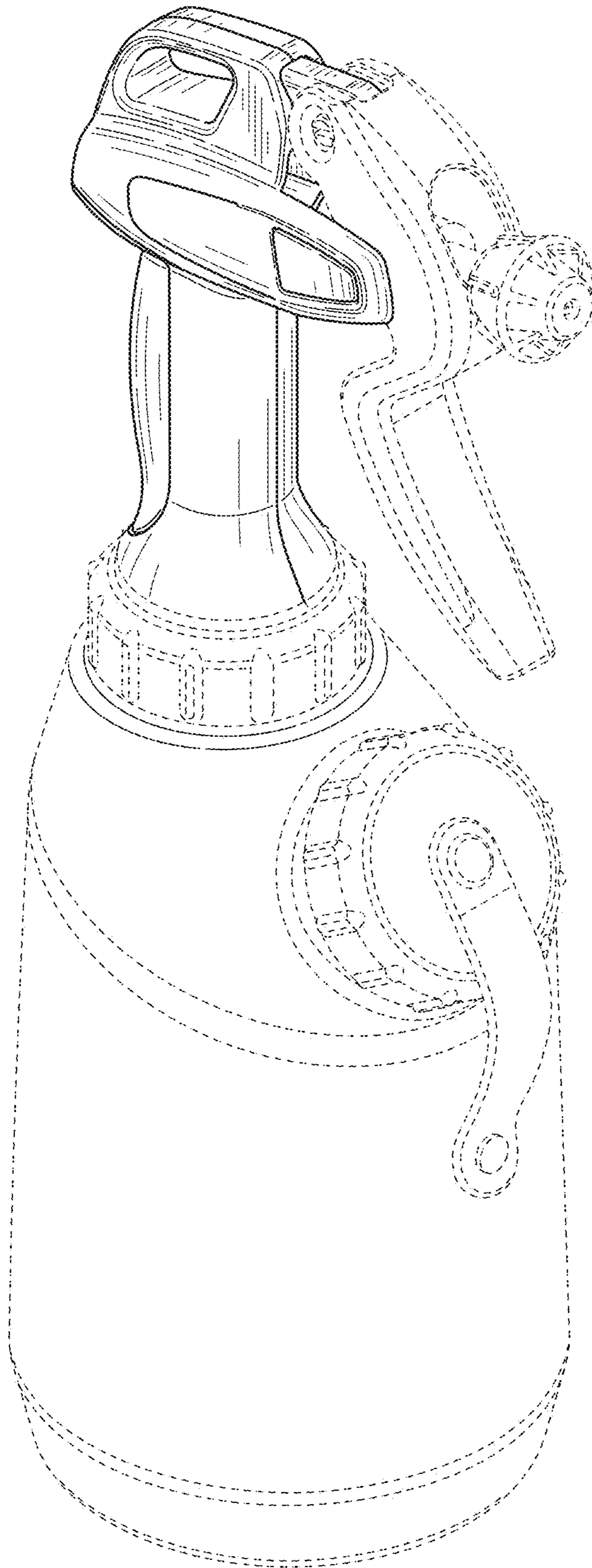


FIG. 1

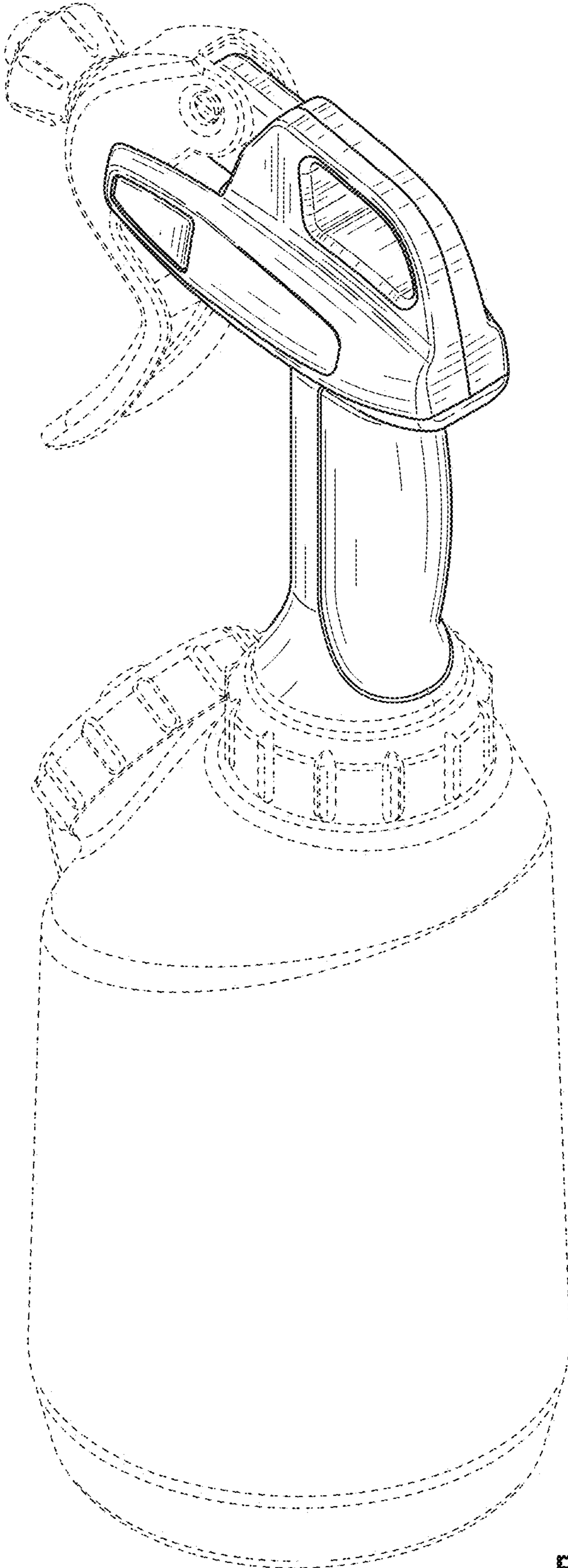


FIG. 2

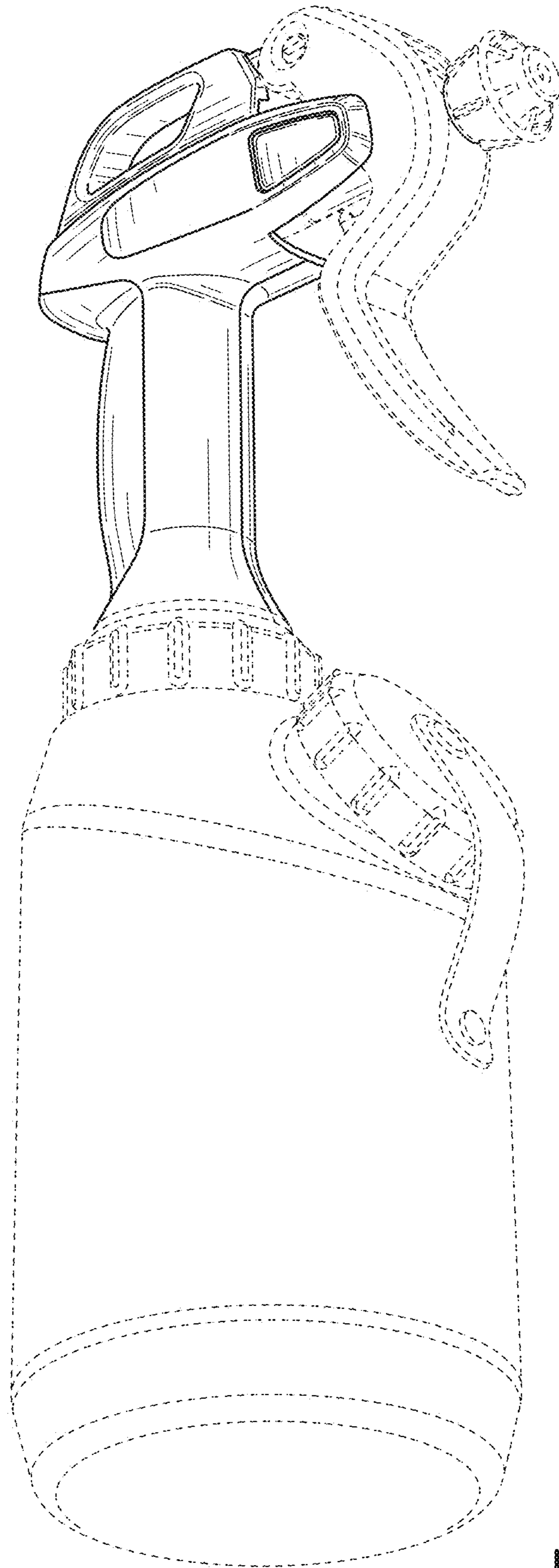


FIG. 3

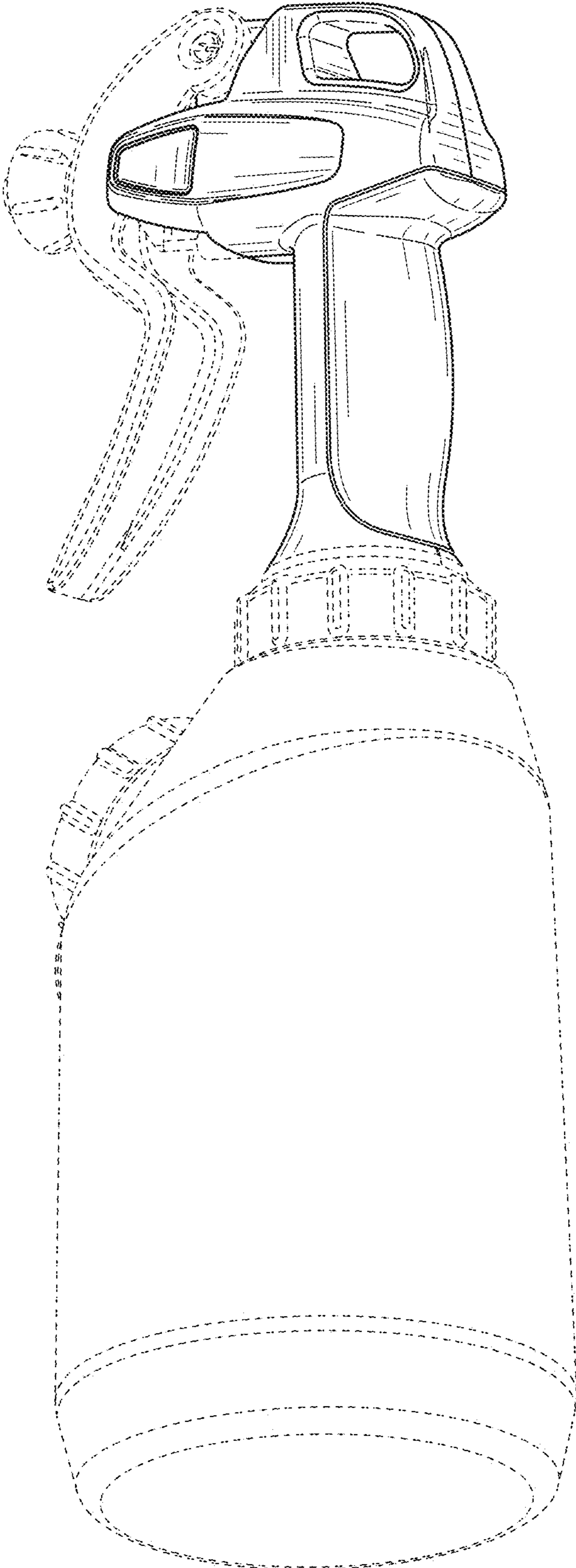


FIG. 4

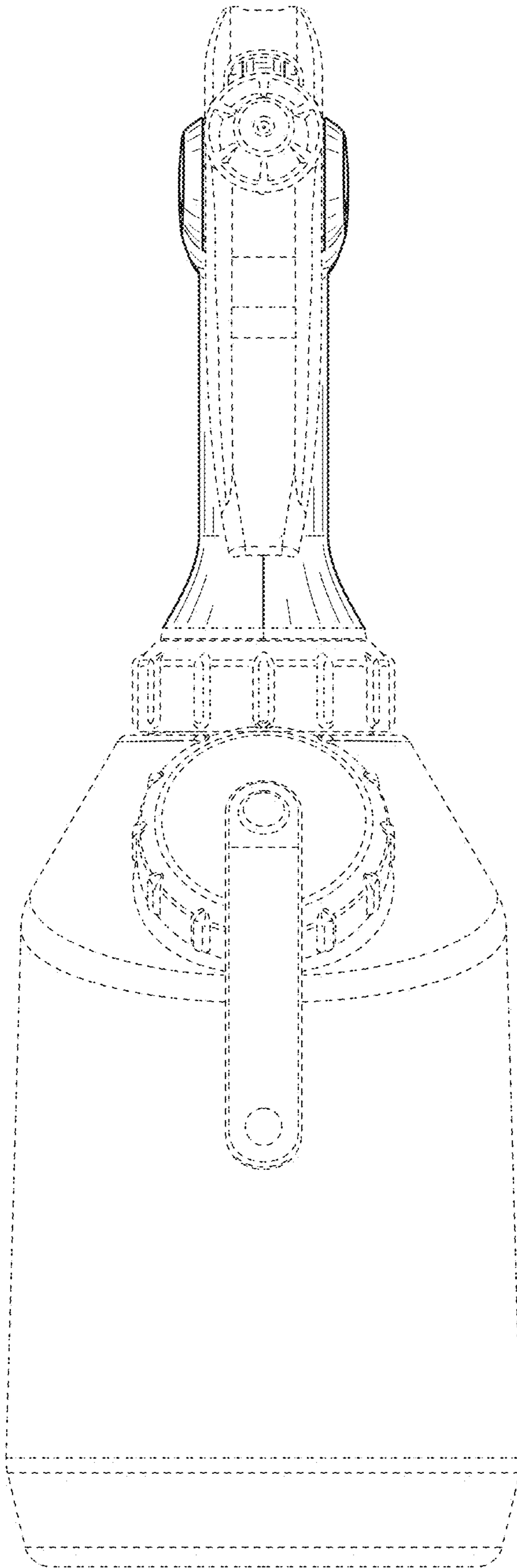


FIG. 5

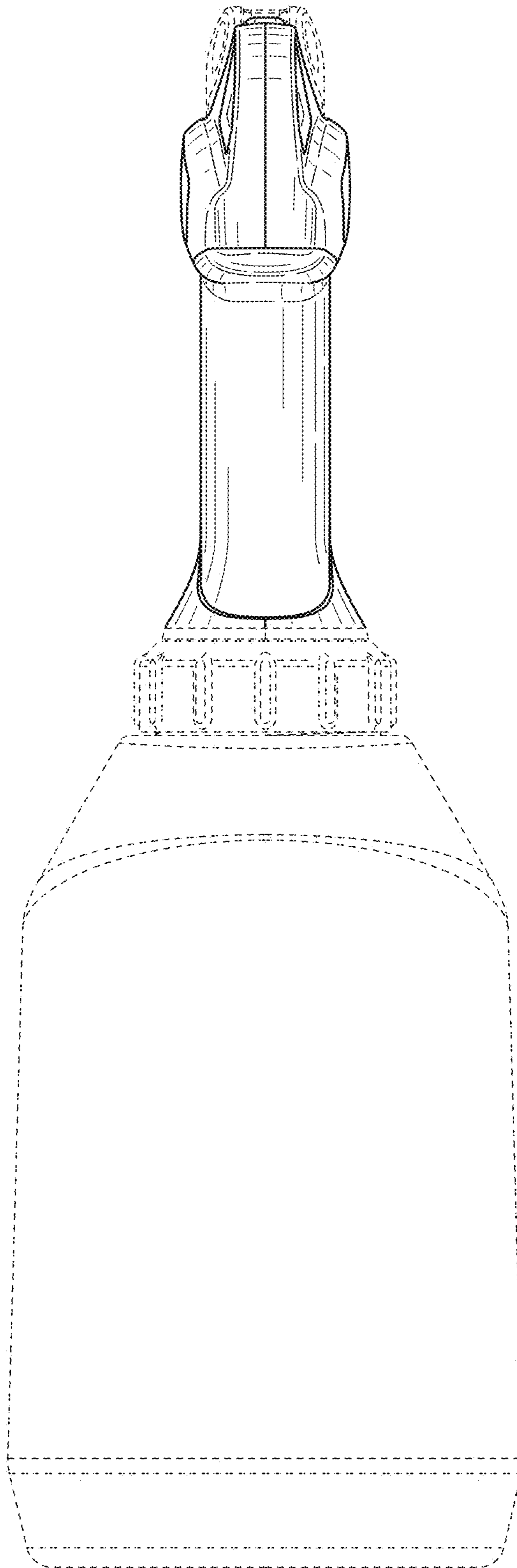


FIG. 6

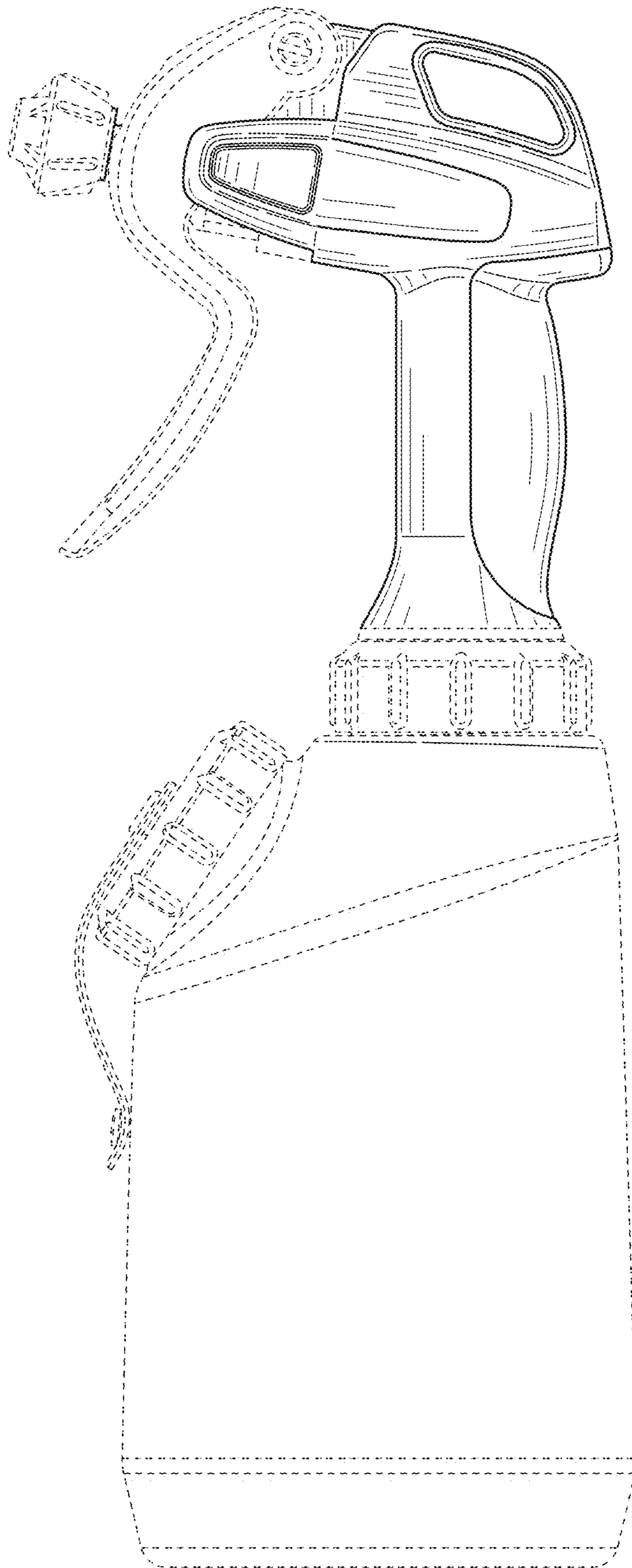


FIG. 7

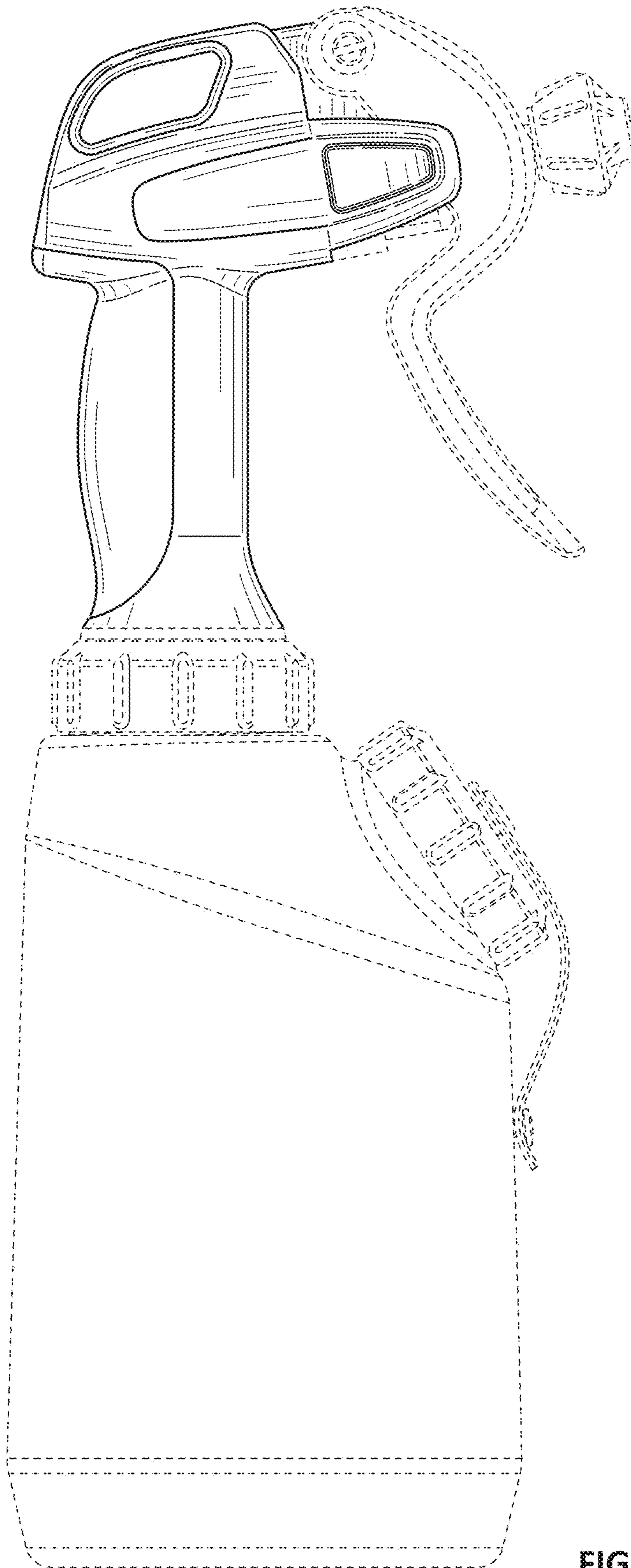


FIG. 8

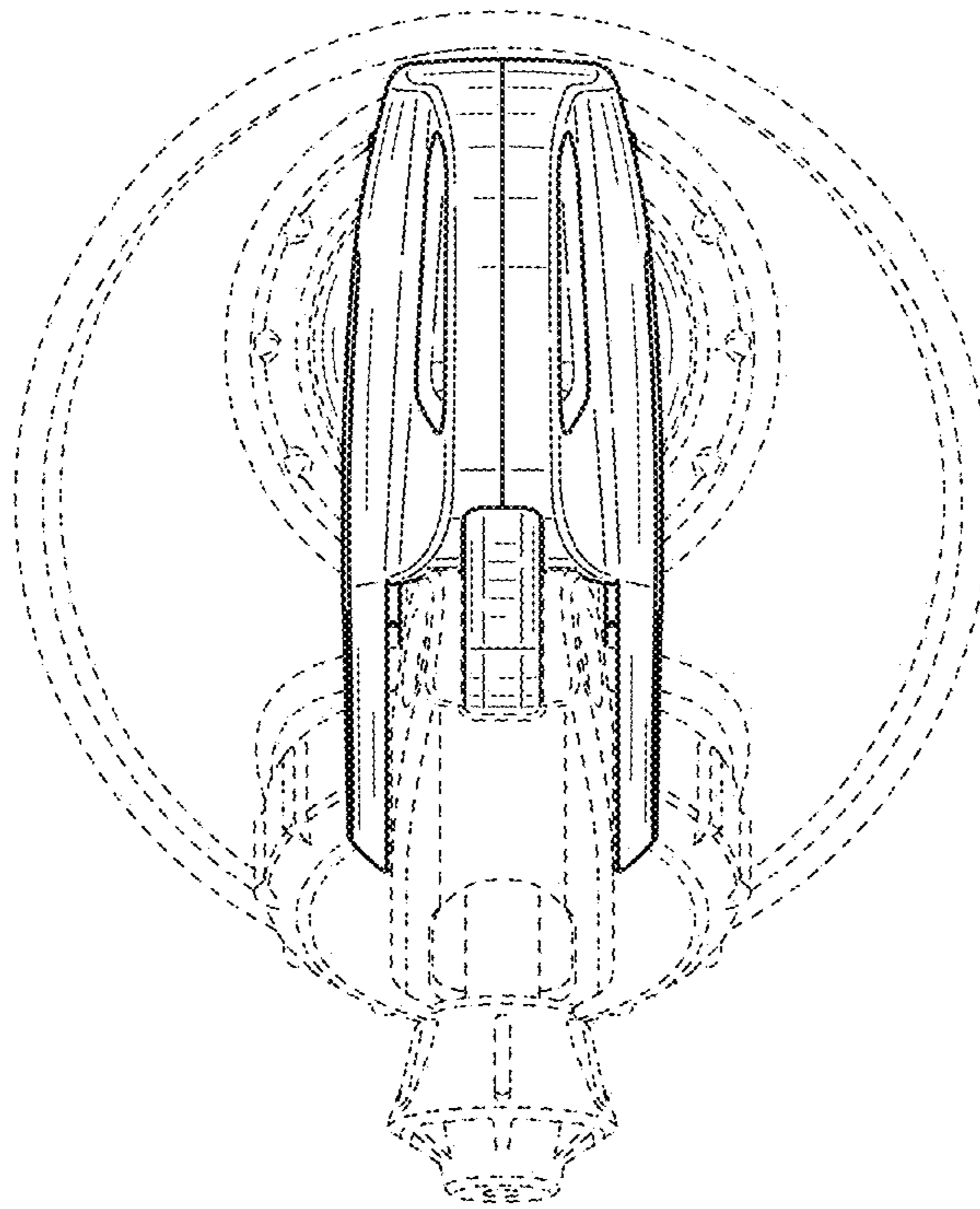


FIG. 9

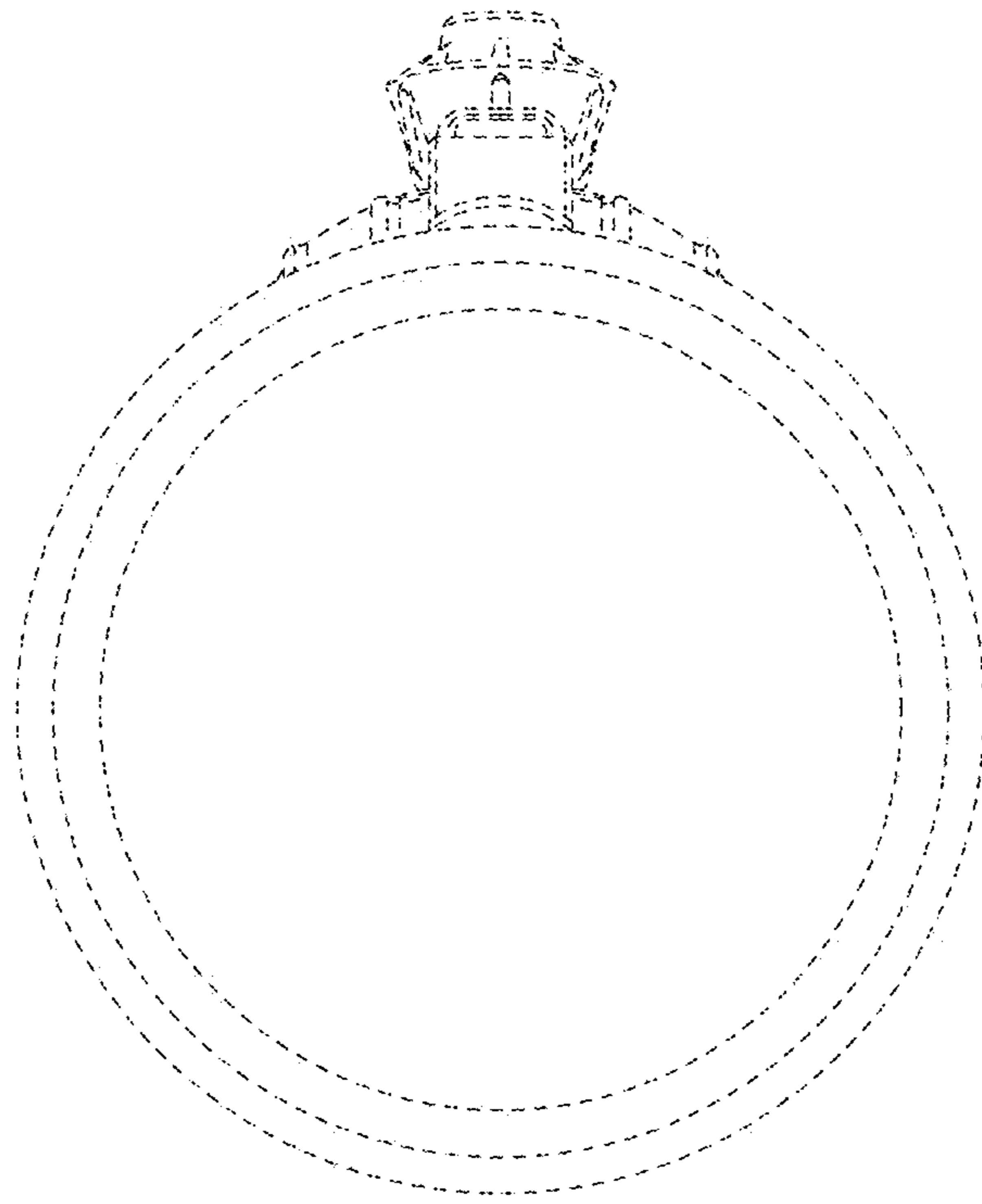


FIG. 10