



US00D890296S

(12) **United States Design Patent**
Chandler

(10) **Patent No.:** **US D890,296 S**

(45) **Date of Patent:** **** Jul. 14, 2020**

(54) **DENTAL INSTRUMENT WATER SUPPLY FILTER**

(71) Applicant: **Crosstex International, Inc.**,
Hauppauge, NY (US)

(72) Inventor: **James W. Chandler**, Ashland, OH
(US)

(73) Assignee: **Crosstex International, Inc.**,
Hauppauge, NY (US)

(**) Term: **15 Years**

(21) Appl. No.: **29/661,709**

(22) Filed: **Aug. 30, 2018**

(51) **LOC (12) Cl.** **23-01**

(52) **U.S. Cl.**
USPC **D23/209; D24/176**

(58) **Field of Classification Search**
USPC D4/100, 101, 102, 104, 108, 110, 111,
D4/127, 129; D24/107, 146, 152, 158,
D24/176, 193, 194; D23/205, 209
CPC A61C 15/00; A61C 15/047; A61C 15/048;
A61C 17/16; A61C 17/18; A61C 17/32;
A61C 17/34; A61C 3/06; A46B 5/0008;
A46B 5/0095; A46B 2200/10; A46B
2200/108; A46B 2200/1026; A46B
2200/1066; A46B 2200/1073; A46B 9/04;
A61B 1/24

See application file for complete search history.

(56) **References Cited**

U.S. PATENT DOCUMENTS

D351,892 S	*	10/1994	Wolf	D23/207
D388,500 S	*	12/1997	Burchard	D23/209
D798,060 S	*	9/2017	Shigeno	D4/101
D818,273 S	*	5/2018	Okada	D4/101
D850,618 S	*	6/2019	Elam	D24/152

* cited by examiner

Primary Examiner — Wan Laymon

Assistant Examiner — Clint A Samuel

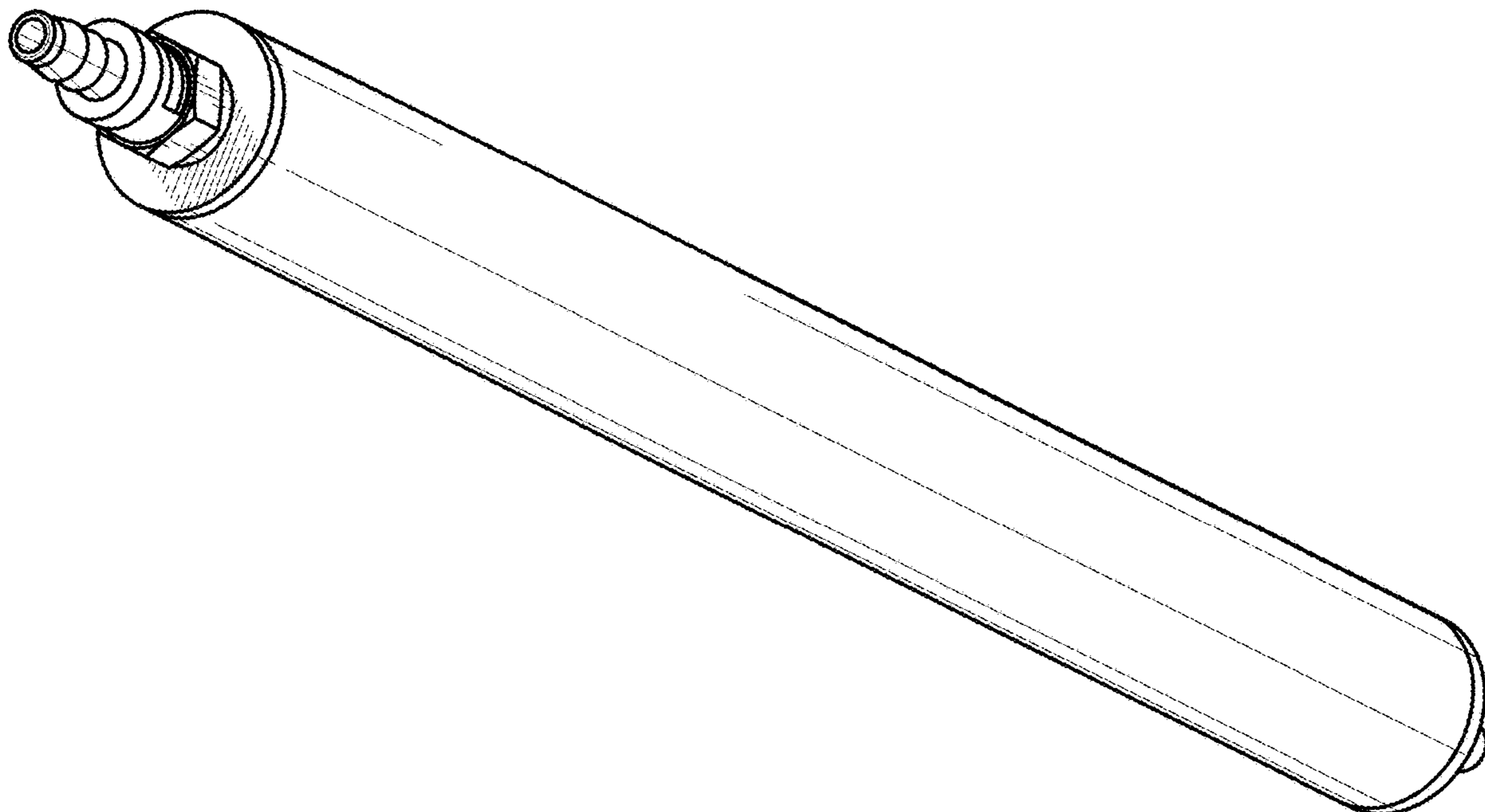
(57) **CLAIM**

The ornamental design for a dental instrument water supply filter, as shown and described.

DESCRIPTION

FIG. 1 is a front perspective view showing my new design for a dental instrument water supply filter.
FIG. 2 is a back perspective view thereof.
FIG. 3 is a right side view thereof.
FIG. 4 is a left side view thereof.
FIG. 5 is a back side view thereof; and,
FIG. 6 is a front side view thereof.

1 Claim, 4 Drawing Sheets



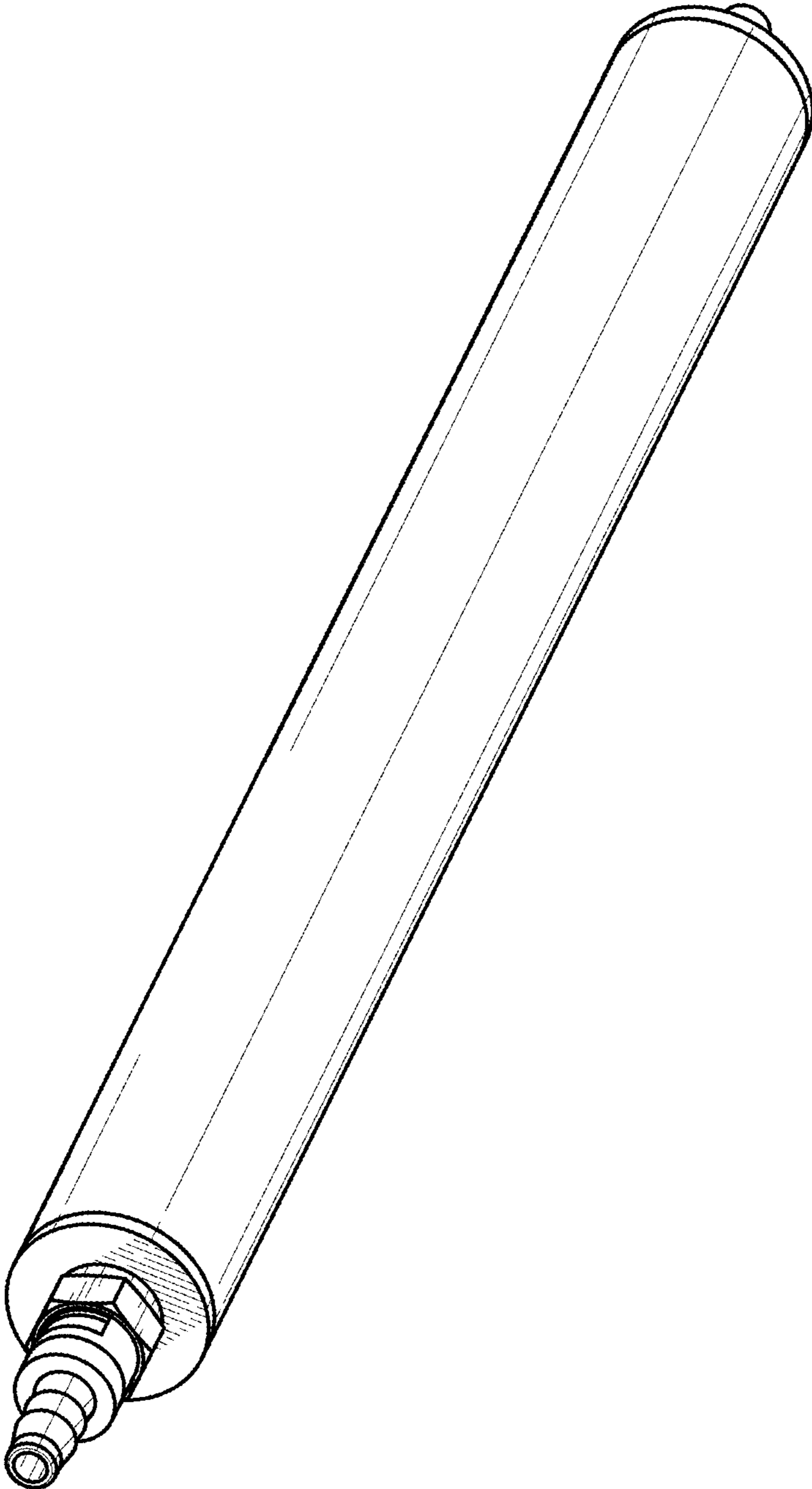


FIG. 1

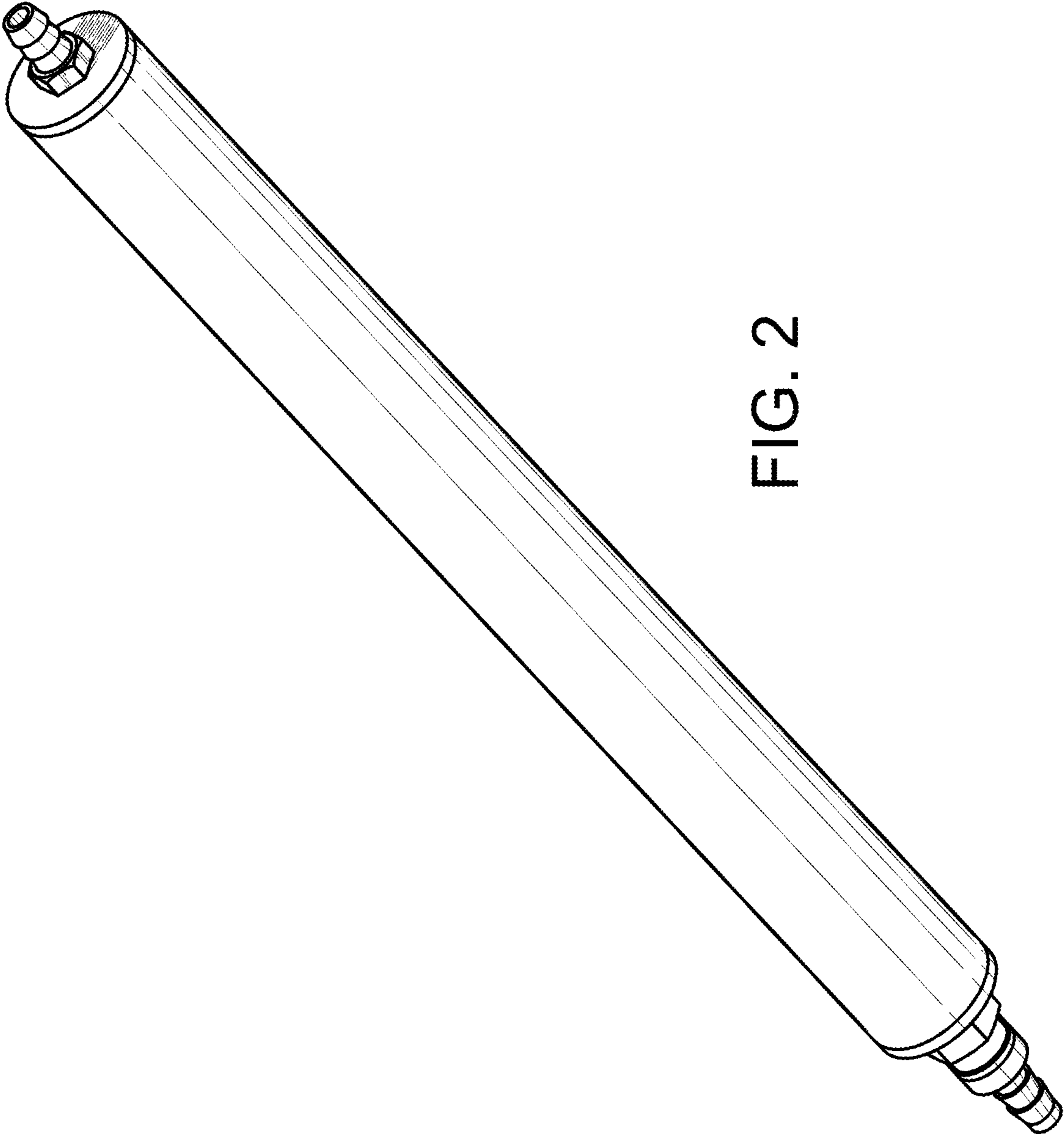


FIG. 2

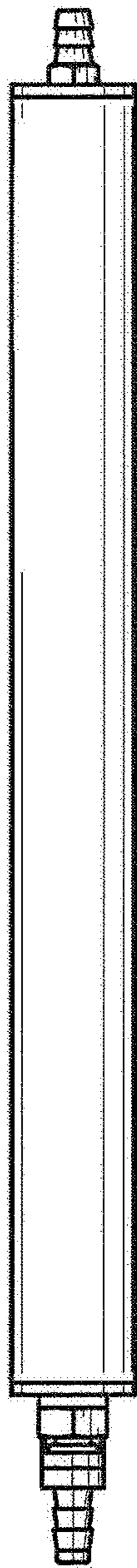


FIG. 3

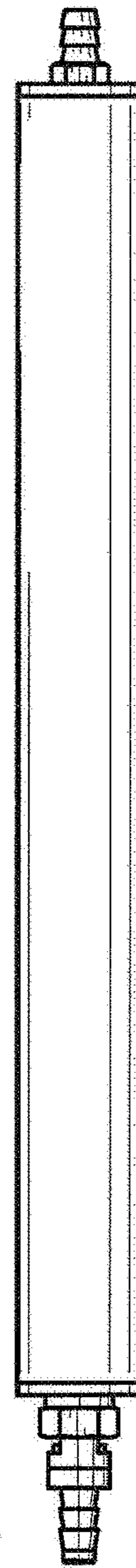


FIG. 4

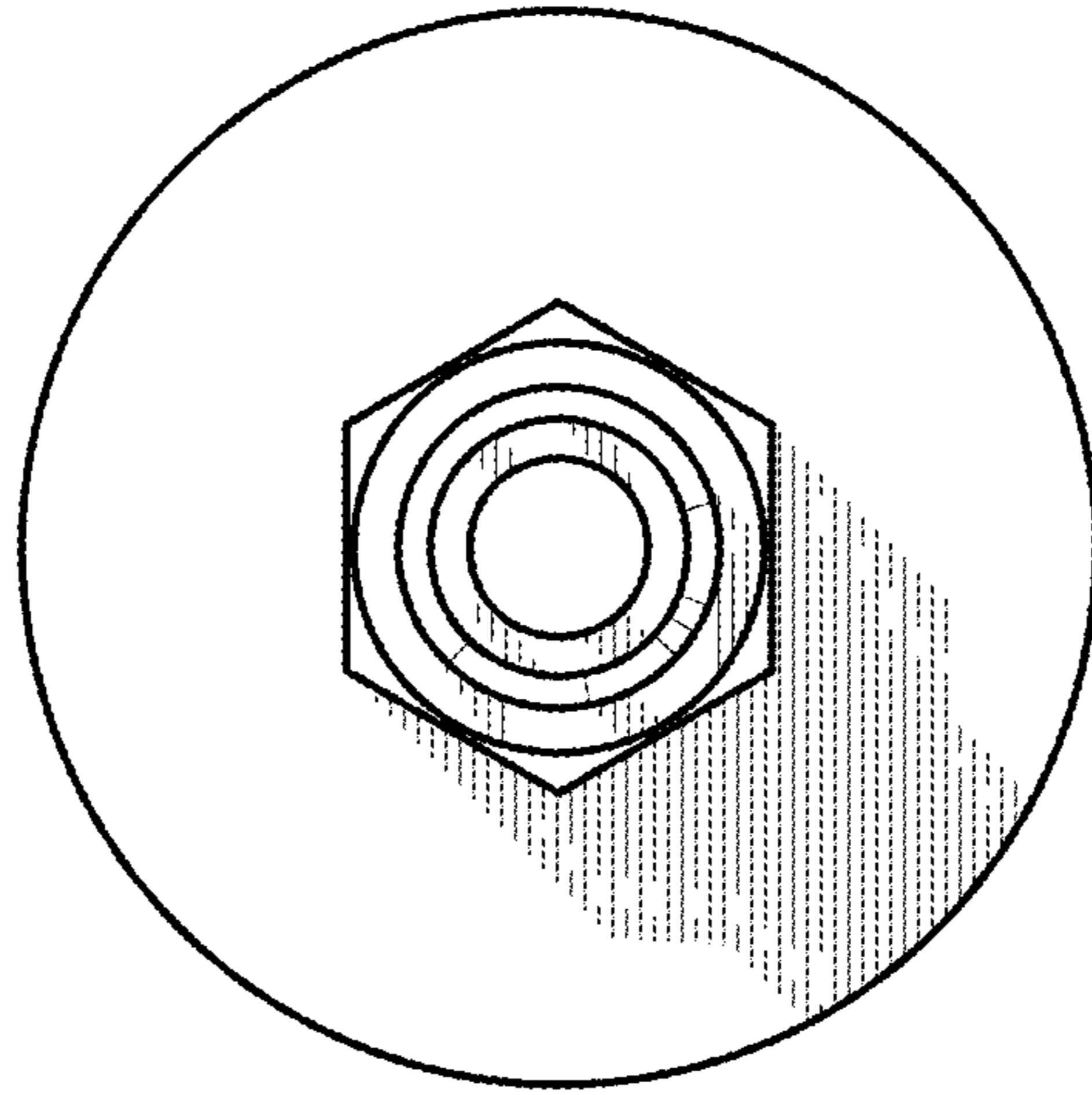


FIG. 5

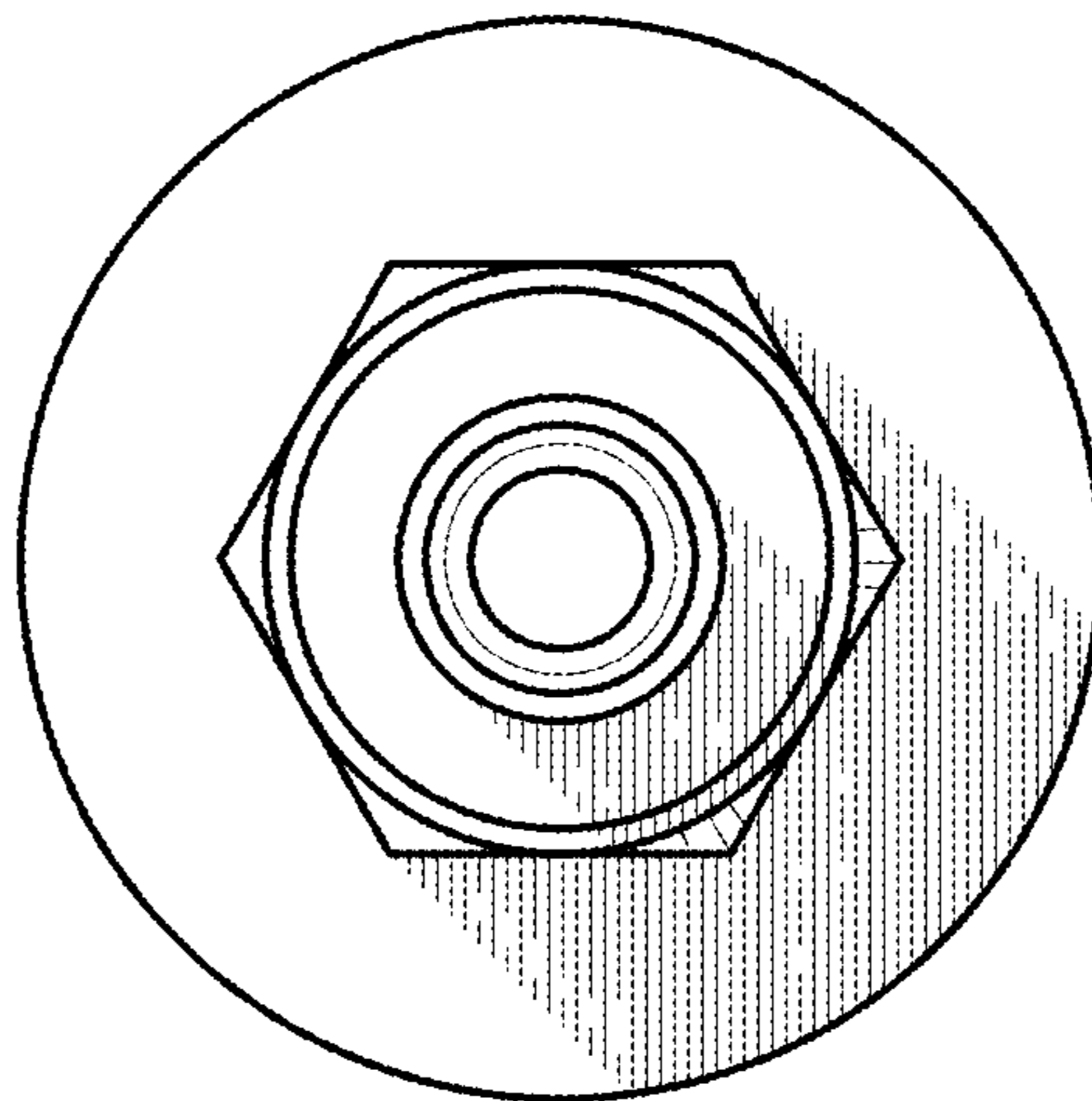


FIG. 6